

NOCO genius[®] BOOSTMAX[™]

GB500



DANGER

User Guide & Warranty



READ AND UNDERSTAND ALL SAFETY INFORMATION BEFORE USING THIS PRODUCT. Failure to follow these safety instructions may result in **ELECTRICAL SHOCK, EXPLOSION, FIRE**, which may result in a **SERIOUS INJURY, DEATH, or PROPERTY DAMAGE.**



Electrical Shock. Product is an electrical device that can shock and cause serious injury. Do not cut power cords. Do not submerge in water or get wet.



Explosion. Unmonitored, incompatible, or damaged batteries can explode if used with product. Do not leave product unattended while in use. Do not attempt to jump start a damaged or frozen battery. Use product only with batteries of recommended voltage. Operate product in well ventilated areas.



Fire. Product is an electrical device that emits heat and is capable of causing burns. Do not cover product. Do not smoke or use any source of electrical spark or fire when operating product. Keep product away from combustible materials.



Eye Injury. Wear eye protection when operating product. Batteries can explode and cause flying debris. Battery acid can cause eye and skin irritation. In the case of contamination of eyes or skin, flush affected area with running clean water and contact poison control immediately.



Explosive Gases. Working in the vicinity of a lead-acid is dangerous. Batteries generate explosive gases during normal battery operation. To reduce risk of battery explosion, follow all safety information instructions and those published by the battery manufacturer and manufacturer of any equipment intended to be used in the vicinity of battery. Review cautionary markings on these products and on engine.



For more information and support visit:

www.no.co/support

Important Safety Warnings

Proposition 65. Battery posts, terminals, and related accessories contain chemicals, including lead. These materials are known to the State of California to cause cancer and birth defects and other reproductive harm. **Personal Precaution.** Only use product as intended. Someone should be within range of your voice or close enough to come to your aid in case of emergency. Have a supply of clean water and soap nearby in the case of battery acid contamination. Wear complete eye protection and protective clothing while working near a battery. Always wash hands after handling batteries and related materials. Do not handle or wear any metal objects when working with batteries including; tools, watches or jewelry. If metal is dropped onto battery, it may spark or create a short circuit resulting in electrical shock, fire, explosion which may result in injury, death or property damage. **Minors.** If the product is intended by "Purchaser" to be used by a minor, purchasing adult agrees to provide detailed instructions and warnings to any minor prior to use. Failure to do so is the sole responsibility of the "Purchaser," who agrees to indemnify NOCO for any unintended use or misuse by a minor. **Choking Hazard.** Accessories may present a choking hazard to children. Do not leave children unattended with product or any accessory. The product is not a toy. **Handling.** Handle product with care. The product can become damaged if impacted. Do not use a damaged product, including, but not limited to, cracks to the casing or damaged cables. Do not use product with a damaged power cord. Humidity and liquids may damage product. Do not handle product or any electrical components near any liquid. Store and operate product in dry locations. Do not operate product if it becomes wet. If product is already operating and becomes wet, disconnect it from the-battery and discontinue use immediately. Do not disconnect the product by pulling on the cables. **Modifications.** Do not attempt to alter, modify or repair any part of the product. Disassembling product may cause injury, death or damage to property. If product becomes damaged, malfunctions or comes in contact with any liquid, discontinue use, and contact NOCO. Any modifications to the product will void your warranty. **Accessories.** This product is only approved for use with NOCO accessories. NOCO is not responsible for user safety or damage when using accessories not approved by NOCO. **Location.** Prevent battery acid from coming in contact with the product. Do not operate the product in a closed-in area or an area with restricted ventilation. Do not set a battery on top of product. Position cable leads to avoid accidental damage by moving vehicle parts (including hoods and doors), moving engine parts (including fan blades, belts, and pulleys), or what could become a hazard that may cause injury or death. **Operating Temperature.** This product is designed to work in ambient temperatures between -30° C to 50° C. Do not operate outside of temperature ranges. Do not jump start a frozen battery. Discontinue use of product immediately if the battery becomes excessively warm. **Storage.** Do not use or store your product in areas with high concentrations of dust or airborne materials. Store your product on flat; secure surfaces so it's not prone to falling. Store your product in a dry location. The storage temperature is -20°C - 25°C (average temperature). Never exceed 80°C under any condition. **Compatibility.** The product is compatible with 12-volt and 24-volt lead-acid battery systems only. Do not attempt to use product with any other type of battery. Jump starting other battery chemistries may result in injury, death or property damage. Contact the battery manufacturer prior to attempting to jump start the battery. Do not jump start a battery if you are unsure of the battery's specific chemistry or voltage. **The Battery.** The built-in lithium-ion battery in the product should be replaced only by NOCO, and must be recycled or disposed of separately from household waste. Do not attempt to replace the battery yourself and do not handle a damaged or leaking lithium-ion battery. Never dispose of battery in household trash. Disposal of batteries in household trash is unlawful under state

and federal environmental laws and regulations. Always take used batteries to your local battery recycling center. If the product battery is excessively hot, emitting an odor, deformed, cut, or is experiencing or demonstrating an abnormal occurrence, immediately stop all use and contact NOCO.

Battery Charging. Charge the product with the included 12V DC Adapter or 56W XGC Power Adapter. Be cautious of using low quality power adaptors, as they may present a serious electrical risk that can result in injury to person, device, and property. Using damaged cables or chargers, or charging when moisture is present, can result in electric shock. NOCO is not responsible for the user's safety when using accessories or supplies that are not approved by NOCO. Power adapters may become warm during normal use, and prolonged skin contact may cause bodily injury. Always allow adequate ventilation around power adapters when using them. To ensure maximum battery life, avoid charging your product for more than a week at a time, as overcharging may shorten battery life. Over time, an unused product will discharge and must be recharged before use. Disconnect the product from power sources when not in use. Use the product only for their intended purposes.

Medical Devices. Product may emit electromagnetic fields. Product contains magnetic components which may interfere with pacemakers, defibrillators, or other medical devices. These electromagnetic fields may interfere with pacemakers or other medical devices. Consult with your physician prior to use if you have any medical device including pacemakers. If you suspect the product is interfering with a medical device, stop using the product immediately and consult your physician.

Medical Conditions. If you have any medical condition that you believe could be affected by product, including but not limited to; seizures, blackouts, eyestrain or headaches, consult your physician prior to use of product. The use of an integrated high-powered flashlight contains a light sensitivity hazard. Use of the light in Strobe Mode may cause seizures in persons with photosensitive epilepsy, which may result in serious injury or death. **Light.** Staring directly into the light beam or shine of the flashlight may result in permanent eye injury. The product is equipped with a high output LED pre-focused lamp that emits a powerful beam at the highest setting.

Cleaning. Power off the product before attempting any maintenance or cleaning. Clean and dry product immediately if it comes in contact with liquid or any type of contaminant. Use a soft, lint-free (microfiber) cloth. Avoid getting moisture in openings. **Explosive Atmospheres.** Obey all signs and instructions. Do not operate product in any area with a potentially explosive atmosphere, including fueling areas or areas which contain chemicals or particles such as grain, dust or metal powders. **High-Consequence**

Activities. This product is not intended for use where the failure of the product could lead to injury, death or severe environmental damage.

Radio Frequency Interference. Product is designed, tested, and manufactured to comply with regulations governing radio frequency emissions. Such emissions from the product can negatively affect the operation of other electronic equipment, causing them to malfunction. **Model Number: GB500.**

This device complies with Part 15 of the FCC Rules. Operation is subject to the following two conditions: (1) this device may not cause harmful interference, and (2) this device must accept any interference received, including interference that may cause undesired operation. NOTE: This equipment has been tested and found to comply with the limits for a Class A digital device, pursuant to Part 15 of the FCC Rules. These limits are designed to provide reasonable protection against harmful interference when the equipment is operated in a commercial environment. This equipment generates, uses, and can radiate radio frequency energy and, if not installed and used in accordance with the instruction manual, may cause harmful interference to radio communications. Operation of this equipment in a residential area is likely to cause harmful interference in which case the user will be required to correct the interference at his/her own expense.

How To Use

Step 1: Charge the GB500.

The GB500 comes partially charged out of the box and needs to be fully charged prior to use. Connect the GB500 using the included 12V Adapter or 56W XGC Power Adapter to the 12V IN port. The GB500 must be in 12V mode to be charged. Ensure the voltage selection knob is in the 12V position prior to charging. The XGC 12V IN port is rated at 12V, 5A to ensure safe and efficient charging of the internal lithium battery. Due to FCC regulations, we recommend not to charge and discharge the unit at the same time. The time to recharge a GB500 will differ based on the discharge level and the power source used. Actual results may vary due to battery conditions.

25% 50% 75% 100%



When recharging, the charge level of the internal battery is indicated by the Charge LEDs. The LEDs will slowly pulse "On" and "Off", and become solid until all four Charge LEDs are on. When the battery is fully charged, the Green 100% LED will be solid, and the 25%, 50% and 75% Charge LEDs will turn "Off". From time to time, the Green 100% LED will pulse indicating maintenance charging is occurring.

12V DC Charging (60W).

The GB500 must be in 12V mode to be charged. Ensure the voltage selection knob is in the 12V position prior to charging. Connect the 12V Cable to the 12V IN port on the GB500, and the other end to the Male 12V Plug. Plug into a powered 12V AUX Plug (Cigarette Lighter Port).

AC Charging (56W).

The GB500 must be in 12V mode to be charged. Ensure the voltage selection knob is in the 12V position prior to charging. Connect the XGC 12V Cable to the 12V IN port on the GB500, and the other end of the 56W Power Adapter to AC power (100-240VAC Wall Outlet).

Powering Your 12V Devices.

The GB500 must be in 12V mode to enable 12V OUT. Connect the 12V Cable to the 12V OUT port on the GB500, and the other end to the Female 12V Plug (12V AUX / Cigarette Lighter Port). Plug-in any standard 12V device (up to 15A) with a 12V plug and turn the GB500 "On" to start powering your device.

Step 2: Connect to the Battery.

Carefully read and understand the vehicle owner's manual on specific precautions and recommended methods for jump starting the vehicle. Make sure to determine the voltage and chemistry of the battery system by referring to your vehicle's owner's manual prior to using this product. The GB500 is for jump starting 12-volt and 24-volt lead-acid battery systems only. Before connecting to the battery, verify the battery system voltage. Ensure the voltage selection knob is in the correct position (12V or 24V) matching the battery system being jump started. Never change the voltage while the unit is connected to a battery. Only change the voltage while the unit is off. The GB500 is not suitable for any other type of battery systems. Identify the

Recharge Time: 6-8hr

Using 12V DC Cable or AC Power Adapter to recharge a fully discharged unit. Recharge time will vary based on level of discharge.

correct polarity of the battery terminals on the battery. The positive battery terminal is typically marked by these letters or symbol (POS,P,+). The negative battery terminal is typically marked by these letters or symbol (NEG,N,-). Do not make any connections to the carburetor, fuel lines, or thin, sheet metal parts. The instructions below are for a negative ground system (most common). If your vehicle is a positive ground system (very uncommon), follow the instructions below in reverse order.

- 1.) Securely connect the negative (black) Boost Max Connector to the negative port on the GB500.
- 2.) Securely connect the positive (red) Boost Max Connector to the positive port on the GB500.
- 3.) Always clean terminals prior to connecting the clamps. NOTE: Faulty connections or dirty terminals may cause smoke. Batteries with very low voltage will also increase the chance of smoke.
- 4.) Connect the positive (red) Boost Max Connector to the positive (POS,P,+) battery terminal.
- 5.) Connect the negative (black) Boost Max Connector to the negative (NEG,N,-) battery terminal or vehicle chassis. Ensure both clamps have a secure connection. (Grounding to the chassis may not be suitable for jump starting large applications.)
- 6.) When disconnecting, disconnect in the reverse sequence, removing the negative first (or positive first for positive ground systems).

Step 3: Jump Starting.

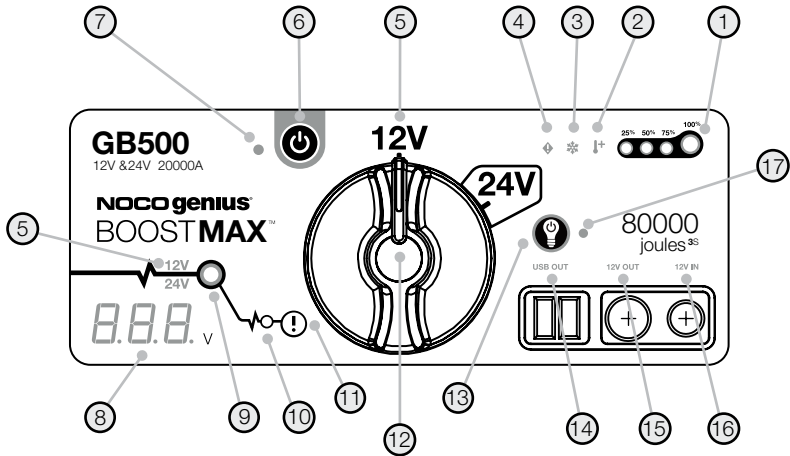
- 1.) Make sure all of the vehicle's power loads (headlights, radio, air conditioning, etc.) are turned "Off" before attempting to jump start the vehicle. If the vehicle is equipped with a Master Switch, turn it to the "on" position.
- 2.) Press the Power Button to begin jump starting. All LEDs will flash, indicating that all LEDs are properly functioning. If you are properly connected to the battery, the White Boost LED will illuminate and the 25%-100% LEDs will chase.
- 3.) Try starting the vehicle. Most vehicles will immediately start. Some vehicles may require the GB500 to be connected for up to thirty (30) seconds before starting. If the vehicle does not start right away, wait 20-30 seconds and try again. Do not attempt more than five (5) consecutive jump starts within a fifteen (15) minute period. Allow the GB500 to rest for fifteen (15) minutes before attempting to jump start the vehicle again.
- 4.) Once you have started your vehicle, disconnect the battery clamps, and remove the GB500.

Low Voltage Batteries & Manual Override.

The GB500 is designed to jump start batteries down to 2-volts. If your battery is below 2-volts, the Boost LED will be "Off". This is an indication that the GB500 can not detect a battery. If you need to jump start a battery below 2-volts there is a Manual Override feature, which allows you to force "On" the jump start function.




CAUTION.

USE THIS MODE WITH EXTREME CARE. THIS MODE IS FOR 12-VOLT OR 24-VOLT LEAD-ACID BATTERIES ONLY. ENSURE THE VOLTAGE SELECTION KNOB IS IN THE CORRECT POSITION (12V OR 24V) MATCHING THE BATTERY SYSTEM BEING JUMP STARTED. BOTH THE SPARK PROOF AND REVERSE POLARITY PROTECTION FEATURES ARE DISABLED. PAY VERY CLOSE ATTENTION TO THE POLARITY OF THE BATTERY BEFORE USING THIS MODE. DO NOT ALLOW THE POSITIVE AND NEGATIVE BATTERY CLAMPS TO TOUCH OR CONNECT TO EACH OTHER AS THE PRODUCT WILL GENERATE SPARKS. THIS MODE USES VERY HIGH CURRENT (UP TO 20,000 AMPS) THAT CAN CAUSE SPARKS AND HIGH HEAT IF NOT USED PROPERLY. IF YOU ARE UNSURE ABOUT USING THIS MODE, DO NOT ATTEMPT AND SEEK PROFESSIONAL HELP.



- 1 . Internal Battery Level** Indicates the charge level of the internal battery.
- 2 . Hot LED** Illuminates solid Red; unit is fully operational, but approaching upper temperature limit.
Flashing Red; unit is too hot to jump start, but other functions are still available.
- 3 . Cold LED** Illuminates solid Blue; unit is fully operational, but approaching lower temperature limit.
Flashing Blue; unit is too cold to jump start, but other functions are still available.
- 4 . Error LED** Illuminates Red, if reverse polarity is detected.
- 5 . Voltage Indicator** Indicates the battery system voltage the GB500 is currently set to. 12V illuminates White when in 12V mode, 24V illuminates Blue when in 24V mode.
- 6 . Power Button** Push to turn unit "On" and "Off".
- 7 . Power LED** Illuminates White when unit is "On".
- 8 . Voltmeter** The built-in voltmeter reads the voltage of the vehicle's battery for enhanced diagnostics and troubleshooting. The voltmeter will automatically read the voltage of any battery (or battery system) when the battery clamps are connected - even if the unit is powered off. The voltmeter will read voltage between ~3V to ~30V. If the connected battery is below 3V, nothing will display. In this situation, it is likely there is a load(s) on the battery, such as, headlights or an AC fan that should be shut off before attempting to start the vehicle.
- 9 . Boost LED** Illuminates White when Boost is active. If the unit is connected properly to a battery, the GB500 will automatically detect a battery and go into Boost mode (White LED flashes when Manual Override feature is active).
- 10 . Manual Override LED** Illuminates solid Red when Manual Override is activated.
- 11 . Manual Override Button** To enable, push and hold for three (3) seconds. **WARNING: Disables safety protection and manually forces Boost "On". Only for use when a battery is too low to be detected.**
- 12 . Voltage Selection Knob** Turn to switch between 12V and 24V mode.
- 13 . Light Mode Button** Toggles the worklight through 7 light modes: 100% > 50% > 10% > SOS > Blink > Strobe > Off.
- 14 . USB Out LED** Illuminates White; USB Out function can be used in both 12V and 24V modes.
- 15 . 12V Out LED** Illuminates White; 12V Out function can only be used in 12V mode.
- 16 . 12V In LED** Illuminates White; 12V In function can only be used in 12V mode.
- 17 . Light Mode LED** Illuminates White when the worklight is turned "On", but the unit is off.

Troubleshooting

Error	Reason / Solution
 Error LED: Solid Red Error LED: Single (1) Flash Error LED: Double (2) Flash Error LED: Triple (3) Flash Error LED: Quadruple (4) Flash Error LED: Quintuple (5) Flash	Reverse polarity detected. / Reverse the battery connections. Short Circuit detected on battery clamps. / Remove all loads, reconnect clamps to battery. Jump Starting period greater than ten (10) minutes. / Power "Off" the unit, then power "On". Internal master switch failure. / Ensure the voltage selection knob is correctly positioned in the 12V or 24V position. Bad battery cell detected during charge. / Power off unit, contact NOCO support. XGC OUT overcurrent error. / Remove load from XGC OUT, then Power "Off" the unit then power "On".
 Hot LED: Solid Hot LED: Flashing Hot LED: Flashes Then All LEDs Off	Unit is fully operational, but approaching upper temperature limit. / Allow the unit to cool. Unit is too hot to jump start, but other functions are still available. / Allow the unit to cool. Unit is too hot to jump start or use other functions. / Allow the unit to cool, and bring the unit into cooler environment.
 Cold LED: Solid Cold LED: Flashing Cold LED: Flashes Then All LEDs Off	Unit is fully operational, but approaching lower temperature limit. / Allow the unit to warm up. Unit is too cold to jump start, but other functions are still available. / Allow the unit to warm up. Unit is too cold to jump start or use other functions. / Allow the unit to warm up, and bring the unit into warmer environment.
Technical Note	Lithium-ion batteries self warm when used. If the Cold Error LED is illuminated, attempt jump starting multiple times to warm the battery and remove the error. Typically, 3-4 jump starts are sufficient to warm the battery and remove the error.

Technical Specifications

Internal Battery: Lithium-Ion (Wh 266)

Peak Current Rating: 20,000A

joules3S: 80,000+

Operating Temperature: -30°C to +50°C (-22°F to +122°F)

Charging Temperature: 0°C to +40°C (32°F to +104°F)

Storage Temperature: -20°C to +50°C (-4°F to +122°F) (Avg Temp.)

USB (Output): Dual 5V, 2.1A

12V (Input): 12V, 5A

12V (Output): 12V, 15A

Housing Protection: IP65 (w/Ports Closed)

Cooling: Natural Convection

Dimensions (L x W x H): 12.25 x 8.25 x 2.25 Inches (311.15 x 209.55 x 57.15 mm)

Weight: 19 Pounds

Warranty

One (1) Year Limited Warranty.

NOCO warrants that this product (the "Product") will be free from defects in material and workmanship for a period of one (1) year from the date of purchase (the "Warranty Period"). For defects reported during the Warranty Period, NOCO will, at its discretion, and subject to NOCO's technical support analysis, either repair or replace defective Products. Replacement parts and products will be new or serviceably used, comparable in function and performance to the original part and warranted for the remainder of the original Warranty Period.

NOCO'S LIABILITY HEREUNDER IS EXPRESSLY LIMITED TO REPLACEMENT OR REPAIR. TO THE MAXIMUM EXTENT PERMITTED BY LAW, NOCO SHALL NOT BE LIABLE TO ANY PURCHASER OF THE PRODUCT OR ANY THIRD PARTY FOR ANY SPECIAL, INDIRECT, CONSEQUENTIAL OR EXEMPLARY DAMAGES, INCLUDING, BUT NOT LIMITED TO, LOST PROFITS, PROPERTY DAMAGE OR PERSONAL INJURY, RELATED IN ANY WAY TO THE PRODUCT, HOWSOEVER CAUSED, EVEN IF NOCO HAD KNOWLEDGE OF THE POSSIBILITY OF SUCH DAMAGES. THE WARRANTIES SET FORTH HEREIN ARE IN LIEU OF ALL OTHER WARRANTIES, EXPRESS, IMPLIED, STATUTORY OR OTHERWISE, INCLUDING, WITHOUT LIMITATION, THE IMPLIED WARRANTIES OF MERCHANTABILITY AND FITNESS FOR A PARTICULAR PURPOSE, AND THOSE ARISING FROM COURSE OF DEALING, USAGE OR TRADE PRACTICE. IN THE EVENT THAT ANY APPLICABLE LAWS IMPOSE WARRANTIES, CONDITIONS OR OBLIGATIONS THAT CANNOT BE EXCLUDED OR MODIFIED, THIS PARAGRAPH SHALL APPLY TO THE GREATEST EXTENT ALLOWED BY SUCH LAWS.

This Limited Warranty is made solely for the benefit of the original purchaser of the Product from NOCO or from a NOCO approved reseller or distributor and is not assignable or transferable. To assert a warranty claim, the purchaser must: (1) request and obtain a return merchandise authorization ("RMA") number and return location information (the "Return Location") from NOCO Support by emailing support@no.co or by calling 1.800.456.6626; and (2) send the Product, including RMA number, receipt or a warranty fee (fee required only if not providing receipt) of 45% of MSRP of the defective Product (the "Warranty Fee") [RMA will include applicable Warranty Fee amount] to the Return Location. DO NOT SEND IN PRODUCT WITHOUT FIRST OBTAINING AN RMA FROM NOCO SUPPORT.

THE ORIGINAL PURCHASER IS RESPONSIBLE (AND MUST PREPAY) ALL PACKAGING AND TRANSPORTATION COSTS TO SHIP PRODUCTS FOR WARRANTY SERVICE.

NOTWITHSTANDING THE ABOVE, THIS LIMITED WARRANTY IS VOID AND DOES NOT APPLY TO PRODUCTS THAT: (a) are misused, mishandled, subjected to abuse or careless handling, accident, improperly stored, or operated under conditions of extreme voltage, temperature, shock, or vibration beyond NOCO's recommendations for safe and effective use; (b) improperly installed, operated or maintained; (c) are/were modified without the express written consent of NOCO; (d) have been disassembled, altered or repaired by anyone other than NOCO; (e) the defects of which were reported after the Warranty Period.

THIS LIMITED WARRANTY DOES NOT COVER: (1) normal wear and tear; (2) cosmetic damage that does not affect functionality; or (3) Products where the NOCO serial number is missing, altered, or defaced.

You may register your NOCO product online at: no.co/register. If you have any questions regarding your warranty or product, contact NOCO Support (email and phone number above) or write to: The NOCO Company, at 30339 Diamond Parkway, #102, Glenwillow, OH 44139 USA.

NOCO 
genius BOOSTMAX™

GB500



DANGER

Guide d'utilisation et garantie



LISEZ ATTENTIVEMENT TOUTES LES CONSIGNES DE SÉCURITÉ AVANT D'UTILISER CE PRODUIT. La non-application des consignes de sécurité peut résulter en **UN CHOC ÉLECTRIQUE, UNE EXPLOSION, DU FEU, ce qui peut conduire à de GRAVES BLESSURES, LA MORT** ou des **DÉGÂTS MATÉRIELS**.



Choc électrique. Le produit est un appareil électrique qui peut causer des chocs et des blessures graves. Ne coupez pas les cordons d'alimentation. Ne pas immerger ni mouiller.



Explosion. Des batteries non-surveillées, incompatibles ou endommagées peuvent exploser si elles sont utilisées avec ce produit. N'utilisez pas ce produit sans le surveiller. Ne tentez pas de démarrer une batterie endommagée ou gelée. N'utilisez ce produit qu'avec les batteries recommandées. Utilisez ce produit dans des lieux bien aérés.



Feu. Le produit est un appareil électrique émettant de la chaleur et capable de causer des brûlures. Ne couvrez pas le produit. Ne fumez pas et n'utilisez aucune source d'étincelles ou de feu quand vous utilisez ce produit. Tenez le produit à l'écart de matériaux combustibles.



Blessures aux yeux. Utilisez des lunettes de protection lors de l'utilisation du produit. Les batteries peuvent exploser et projeter des débris. L'acide des batteries peut causer des irritations de la peau et des yeux. Dans la cas de contact avec les yeux ou la peau, rincez abondamment le point de contact avec de l'eau courante propre et contactez immédiatement le: centre anti-poison.



Gaz explosifs. Travailler à proximité de l'acide de plomb est dangereux. Les batteries produisent un gaz explosif durant leur utilisation normale. Pour réduire le risque d'explosion de batteries, conformez-vous à toutes les consignes de sécurité indiquées ici et celles indiquées par le fabricant de la batterie, ainsi que de celles de tout équipement utilisé dans les environs de la batterie. Prenez connaissance des indications de sécurité sur ces produits et sur le moteur.

Français

**Pour plus d'informations,
rendez-vous sur le site :**

www.no.co/support

Indications de sécurité importantes

Proposition 65. Les batteries, les terminaux et les accessoires correspondants contiennent des produits chimiques, y compris du plomb. Ces matériaux sont déclarés cancérigènes et causant des défauts de naissance et d'autres complications par l'État. **Précaution personnelle.** N'utilisez le produit que pour les applications recommandées. Veillez à ce qu'il y ait toujours une personne à portée de voix pouvant vous venir en aide en cas d'urgence. Gardez suffisamment d'eau propre avec du savon près de vous en cas de contact avec l'acide de la batterie. Portez une protection des yeux et des vêtements de protection quand vous travaillez près d'une batterie. Lavez-vous toujours les mains après avoir manipulé des batteries et des matériaux correspondants. Ne manipulez pas ou ne portez pas d'objets en métal quand vous utilisez des batteries y compris des outils, des montres ou des bijoux. Si du métal tombe sur une batterie, cela peut causer une étincelle ou un court circuit résultant en un choc électrique, du feu, une explosion pouvant résulter en des blessures, la mort ou des dommages matériels. **Mineurs.** Si le produit doit être utilisé par un mineur, l'adulte achetant le produit s'engage à expliquer au mineur les instructions de sécurité détaillées et toutes les mises en garde nécessaires avant la première utilisation. Ne pas suivre cette recommandation relève entièrement de la responsabilité de l'acheteur qui accepte d'indemniser NOCO pour toute utilisation non-intentionnelle, bonne ou mauvaise, par un mineur. **Risque d'étouffement.** Les produits risquent d'étouffer les enfants si ils sont avalés ou mis dans leur bouche. Ne laissez pas des enfants avec le produit sans surveillance. Le produit n'est pas un jouet. **Manipulation.** Manipulez le produit avec soin. Le produit peut être endommagé s'il subit un choc. N'utilisez pas un produit endommagé, même s'il ne présente que des traces de dommages que vous jugez minimes, comme des fêlures sur le boîtier ou des câbles endommagés, ou d'autres signes. N'utilisez pas le produit avec un cordon d'alimentation abîmé. L'humidité et les liquides peuvent endommager le produit. Ne manipulez pas le produit ou n'importe quel composant électrique près d'une source eau. Entreposez et utilisez le produit dans des endroits secs. N'utilisez pas le produit s'il est mouillé. Si le produit est en fonctionnement et est mouillé, déconnectez-le de la batterie et cessez l'utilisation immédiatement. Ne déconnectez pas le produit en tirant sur les cordons d'alimentation. **Modifications.** Ne tentez pas de modifier, de changer ou de réparer le produit. Démontez le produit peut causer des blessures, la mort ou des dommages matériels. Si le produit est endommagé, fonctionne mal ou entre en contact avec du liquide, cessez son utilisation et contactez NOCO. Toute modification au produit annule votre garantie. **Accessoires.** Ce produit est utilisable avec accessoires NOCO seulement. NOCO n'est pas responsable pour tout dommage ou incident en cas d'utilisation avec des accessoires qui ne sont pas recommandés par NOCO. Lieu d'utilisation. Empêchez l'acide de la batterie d'entrer en contact avec le produit. N'utilisez pas le produit dans un lieu fermé ou mal ventilé. Ne placez pas de batteries sur le produit. Placez les câbles pour éviter des dommages accidentels provoqués par des parties mobiles d'un véhicule (y compris les portières et les capots), des parties mobiles du moteur (y compris des lames de ventilateur, des courroies et des arbres de transmission). Tout risque non pris en compte peut causer des blessures ou la mort. **Température de fonctionnement.** Ce produit est conçu pour fonctionner à des températures ambiantes entre -30 °C jusqu'à 50 °C. Ne le faites pas fonctionner en dehors de cette plage. Ne démarrez jamais une batterie gelée. Cessez immédiatement l'utilisation d'un produit si la batterie devient excessivement chaude. **Entreposage.** N'utilisez et n'entrez pas votre produit dans des zones de fortes concentrations de poussière ou de matériaux volants. Entrez votre produit sur des surfaces planes et sûres afin d'éviter tout risque de chute. Entrez votre produit dans un endroit sec. La température d'entreposage est comprise entre -20 °C et 25 °C (température moyenne). Ne dépassez sous aucune condition 80 °C. **Compatibilité.** Le produit est compatible avec les batteries au plomb-acide de 12 volts et 24 volts seulement. N'essayez pas d'utiliser le produit avec un autre type de batterie. L'aide au démarrage avec les chimiques d'autres batteries peut entraîner des blessures, la mort ou des dommages matériels. Contactez le fabricant de la batterie avant de tenter d'aider au démarrage avec cette batterie. N'AIDEZ PAS au démarrage à travers une batterie de laquelle vous n'êtes pas sûr de la chimie spécifique ou la tension.

La batterie. La batterie ions-lithium intégrée au produit devrait être remplacée par NOCO seulement et doit être recyclée ou séparée des déchets ménagers. N'essayez pas de remplacer la batterie vous-même et ne manipulez pas une batterie ions-lithium endommagée ou qui fuit. Ne jetez jamais une batterie dans les ordures ménagères. Jeter une batterie avec les ordures ménagères est contraire aux lois et réglementations fédérales et de l'État. Amenez toujours vos batteries usées au centre de recyclage de batterie le plus proche. Si la batterie du produit est excessivement chaude, émet une odeur, est déformée, coupée, présente un phénomène étrange, cessez toute utilisation immédiatement et contactez NOCO. **Chargement de la batterie.** Chargez le produit avec l'adaptateur 12V c.c. inclus ou l'adaptateur d'alimentation 56W XGC. Faites attention de ne pas utiliser des adaptateurs de puissance de moindre qualité, car ils peuvent présenter un risque électrique grave qui peut entraîner des blessures, et des dommages à l'appareil et la propriété. L'utilisation de câbles ou de chargeurs endommagés, ou charger en présence d'humidité, peut entraîner un choc électrique. NOCO n'est pas responsable de la sécurité de l'utilisateur lors de l'utilisation d'accessoires ou de fournitures qui ne sont pas approuvés par NOCO. Les adaptateurs d'alimentation peuvent devenir chauds pendant l'utilisation normale, et le contact cutané prolongé peut causer des blessures. Prévoyez toujours une ventilation adéquate autour des adaptateurs électriques lors de leur utilisation. Pour assurer l'autonomie maximale de la batterie, évitez de recharger votre produit pendant plus d'une semaine à la fois, car la surcharge peut réduire la durée de vie de la batterie. Au fil du temps, un produit non utilisé se déchargera et doit être rechargé avant utilisation. Débranchez le produit des sources d'alimentation lorsqu'il n'est pas utilisé. Utilisez le produit uniquement aux fins prévues. **Appareils médicaux.** Le produit peut émettre des champs électro-magnétiques. Le produit comprend certains composants magnétiques pouvant interagir avec des pacemakers, des défibrillateurs ou d'autres appareils médicaux. Ces champs électro-magnétiques peuvent interférer avec des pacemakers et d'autres appareils médicaux. Consultez votre médecin avant toute utilisation si vous avez un pacemaker ou tout autre appareil médical. Si vous pensez que votre appareil interfère avec un appareil médical, arrêtez immédiatement d'utiliser le produit et consultez un médecin. **Maladies.** Si vous êtes malade et pensez que le produit pourrait avoir un effet sur votre santé comprenant, mais sans être limité à: des convulsions, des pertes de conscience, des douleurs oculaires ou des maux de tête, consultez votre médecin avant d'utiliser le produit. L'utilisation de la lampe haute intensité intégrée peut être risquée en cas de sensibilité à la lumière. L'utilisation du mode stroboscopique peut causer des convulsions chez des personnes atteintes d'épilepsie photosensible, pouvant à son tour causer des blessures graves ou la mort. **Lumière.** Fixer directement le faisceau lumineux de la lampe intégrée peut causer des dommages oculaires permanents. Le produit est équipé d'un LED haute intensité à point focal fixé émettant un puissant faisceau lumineux au réglage le plus élevé. **Nettoyage.** Déconnectez le produit avant de tenter son entretien ou nettoyage. Nettoyez le produit immédiatement s'il entre en contact avec un liquide ou tout autre type de contaminant. Utilisez un tissu doux et ne peluchant pas (micro-fibres). Évitez que de l'humidité pénètre dans les trous. **Atmosphères explosives.** Obéissez à tous les signes et instructions. N'utilisez aucun produit dans une zone à atmosphère potentiellement explosive, y compris des stations essences, des endroits avec des produits chimiques, de la poussière, des poudres métalliques ou des stockages à grain. **Activités à risque.** Ce produit n'est pas destiné à une utilisation dont la défaillance pourrait conduire à des blessures, la mort ou de sérieux dégâts à l'environnement. **Interférences avec des fréquences radio.** Le produit est conçu, testé et fabriqué pour être conforme aux réglementations des fréquences radio. Les rayonnements du produit peuvent avoir un effet négatif sur le fonctionnement d'autres appareils électriques, provoquant un dysfonctionnement. **Numéro du modèle : GB500** Cet appareil est conforme à la partie 15 de la réglementation FCC. L'utilisation est soumise aux deux conditions suivantes : (1) l'appareil ne devra pas causer d'interférences dommageables et (2) l'appareil doit pouvoir subir des interférences y compris des interférences pouvant causer une fonctionnalité non-souhaitée. Remarque: cet équipement a été testé et est certifié conforme aux valeurs des appareils numériques de classe A, faisant suite à la partie 15 de la réglementation FCC. Ces valeurs-limite sont fixées pour fournir un degré de protection raisonnable en cas d'interférence dommageable si l'équipement est utilisé dans un contexte commercial. Cet équipement génère, utilise et peut émettre des rayonnements sur des fréquences radio et s'il n'est pas utilisé conformément au manuel d'utilisation, peut causer des interférences dommageables aux communications radio. L'utilisation de cet équipement dans une zone d'habitation peut potentiellement conduire à des

interférences dommageables, dans quel cas l'utilisateur sera prié de corriger les effets de l'interférence à ses frais.

L'utilisation

Étape 1 : Chargez le GB500.

Le GB500 vient partiellement chargé hors de la boîte et doit être complètement chargé avant l'utilisation. Branchez le GB500 à l'aide de l'adaptateur 12V inclus ou de l'adaptateur d'alimentation 56W XGC sur le port d'entrée 12V. Le GB500 doit être en mode 12V pour être chargé. Assurez-vous que le bouton de sélection de tension est en position 12V avant la charge. La valeur nominale du port d'entrée XGC 12V est 12V, 5A pour assurer la charge sécuritaire et efficace de la batterie interne de lithium. En raison des réglementations de la FCC, nous recommandons de ne pas charger et décharger l'unité en même temps. Le temps de recharge d'un GB500 sera différent en fonction du niveau de décharge et de la source d'énergie utilisée. Les résultats réels peuvent varier en raison de la condition de la batterie.

Temps de recharge : 6 à 8h

Utilisez un câble 12V c.c. ou un adaptateur c.a. pour recharger une unité complètement déchargée. Le temps de recharge varie en fonction du niveau de décharge.

25% 50% 75% 100%



Lors du rechargement, le niveau de la batterie interne est indiqué par les LEDs de charge. Les LEDs alterneront lentement entre 'On' et 'Off' et resteront stables jusqu'à ce que les quatre LEDs de charge soient allumés. Quand la batterie sera pleinement chargée, le LED vert marqué 100% sera stable, et les LEDs de charge 25%, 50% et 75% seront 'Off'. De temps à autre, le LED vert 100% pulsera pour indiquer qu'un chargement d'entretien est en cours.

Charger à partir de 12V c.c. (60W).

Le GB500 doit être en mode 12V pour être chargé. Assurez-vous que le bouton de sélection de tension est en position 12V avant la charge. Branchez le câble 12V au port d'entrée 12V du GB500 et l'autre extrémité à la fiche mâle 12V. Branchez-la fiche dans une prise 12V AUX (port allume-cigare).

Charger à partir de c.a. (56W).

Le GB500 doit être en mode 12V pour être chargé. Assurez-vous que le bouton de sélection de tension est en position 12V avant la charge. Branchez le câble XGC 12V au port d'entrée 12V du GB500 et l'autre extrémité de l'adaptateur d'alimentation 56W à l'alimentation c.a. (sortie murale de 100 ou 240 V c.a.).

Alimenter vos appareils 12V.

Le GB500 doit être en mode 12V pour activer la sortie 12V. Branchez le câble 12V au port de sortie 12V du GB500 et l'autre extrémité à la prise femelle 12V (port 12V AUX/allume-cigare). Branchez n'importe quel appareil 12V standard (jusqu'à 15A) avec une prise 12V et allumez (On) le GB500 pour commencer l'alimentation de votre appareil.

Étape 2: Connectez la Batterie.

Lisez attentivement et assurez-vous de bien comprendre les indications spécifiques et les méthodes recommandées pour un démarrage rapide se trouvant dans le manuel d'utilisation. Soyez sûrs de bien identifier la tension et la composition chimique de la batterie en vous référant au manuel

d'utilisation de la batterie du véhicule avant d'utiliser cet appareil. Le GB500 est utilisé pour l'aide au démarrage à partir de systèmes de batterie au plomb-acide 12V et 24V seulement. Avant de le brancher à la batterie, vérifiez la tension du système de batterie. Assurez-vous que le bouton de sélection de la tension est dans la bonne position (12V ou 24V) correspondant au système de batterie en cours d'aide au démarrage. Ne changez jamais la tension lorsque l'appareil est connecté à la batterie. Changez la tension uniquement lorsque l'appareil est éteint. Avant de le connecter à la batterie, vérifiez que vous avez une batterie plomb-acide de 12 volts. Le GB500 n'est pas adapté à un autre type de batterie. Identifiez correctement la polarité des bornes de la batterie. La borne positive de la batterie est habituellement marquée des lettres ou symboles suivants : POS, P, +. La borne négative de la batterie est habituellement marquée des lettres ou symboles suivants : NEG, N, -. Ne connectez pas le carburateur, les arrivées d'essence, ni des parties en métal minces. Les instructions ci-dessous sont pour une prise terre négative (la plus courante). Si votre véhicule est muni d'une prise de terre positive (très rare), suivez les instructions ci-dessous en sens inverse.

- 1.) Branchez le Connecteur Boost Max négatif (noir) sur le port négatif du GB500.
- 2.) Branchez le Connecteur Boost Max positif (rouge) sur le port positif du GB500.
- 3.) Nettoyez toujours les bornes avant de connecter les pinces. NOTE : des connexions défectueuses ou des bornes sales peuvent causer de la fumée. Les batteries avec une très faible tension augmenteront aussi la probabilité de fumée.
- 4.) Branchez le connecteur Boost Max positif (rouge) à la borne positive (POS, P, +) de la batterie.
- 5.) Branchez le connecteur Boost Max négatif (noir) à la borne négative (NEG, N, -) de la batterie ou au châssis du véhicule. (Une mise à la terre sur le châssis peut ne pas convenir pour les grandes applications de démarrage assisté).
- 6.) Lors de la déconnexion, débranchez dans la séquence inverse, en supprimant premièrement la borne négative (ou premièrement la positive pour les systèmes à masse positive).

Étape 3: Démarrage Rapide.

- 1.) Assurez-vous que toutes les fonctions du véhicule (telles que phares, radio, climatisation etc.) sont éteintes avant de tenter un démarrage rapide du véhicule. Si le véhicule est équipé d'un interrupteur principal, placez-le en position « on ».
- 2.) Appuyez sur le bouton démarrage pour commencer le démarrage rapide. Tous les LEDs clignoteront, indiquant qu'ils fonctionnent correctement. Si vous êtes correctement connecté à la batterie, le LED White Boost s'allumera. Si les pinces de la batterie sont connectés en sens inverse, le LED rouge d'erreur (Error) s'allumera. Inversez les connexions pour corriger cette erreur, ensuite le LED White Boost s'allumera. Le LED White Boost est allumé quand le GB500 est prêt à démarrer rapidement votre véhicule.
- 3.) Tentez de démarrer le véhicule. La plupart des véhicules démarreront immédiatement. Certains véhicules nécessiteront que le GB500 soit connecté pendant 30 secondes avant de démarrer. Si le véhicule ne démarre pas tout de suite, attendez 20 à 30 secondes et essayez à nouveau. Ne faites pas plus de cinq (5) tentatives dans une période de quinze (15) minutes. Faites une pause de 15 minutes avant d'utiliser à nouveau le GB500 pour démarrer rapidement votre véhicule.
- 4.) Une fois que vous aurez démarré votre véhicule, déconnectez les pinces de la batterie et enlevez le GB500.

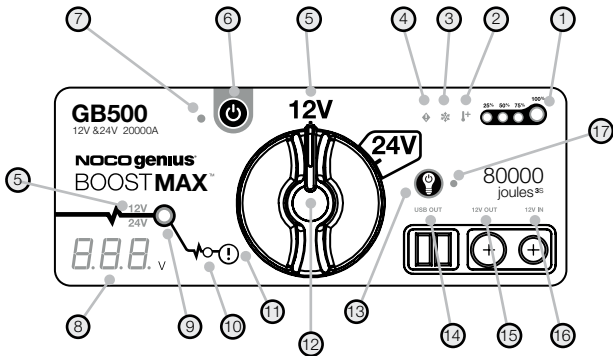
Batteries à Basse Tension et Contournement Manuel.

Le GB500 est conçu pour démarrer rapidement des batteries plomb-acide 12 volts avec une tension minimale de 2 volts. Si votre batterie est

inférieure à 12 volts, le LED Boost sera sur 'Off'. Cela indique que le GB500 ne peut pas détecter la batterie. Si vous devez démarrer rapidement une batterie inférieure à 2 volts, il existe une fonction de contournement manuel qui mettra le démarrage rapide sur 'On'.




ATTENTION.

UTILISEZ CE MODE AVEC UN SOIN EXTRÊME. CE MODE EST DESTINÉ SEULEMENT AUX BATTERIES AU PLOMB-ACIDE DE 12V OU 24V. ASSUREZ-VOUS QUE LE BOUTON DE SÉLECTION DE LA TENSION EST DANS LA BONNE POSITION (12V OU 24V) CORRESPONDANT AU SYSTÈME DE BATTERIE EN COURS D'AIDE AU DÉMARRAGE. ES PROTECTIONS ANTI-ÉTINCELLES ET D'INVERSION DES POLARITÉS SONT DÉCONNECTÉES. FAITES TRÈS ATTENTION À LA POLARITÉ DE LA BATTERIE AVANT D'UTILISER CE MODE. ASSUREZ-VOUS QUE LES PINCES NÉGATIVE ET POSITIVE DE SE TOUCHENT PAS COMME CELA PROVOQUERAIT DES ÉTINCELLES. CE MODE UTILISE UN COURANT TRÈS ÉLEVÉ (JUSQU'À 20,000 AMPÈRES) POUVANT CAUSER DES ÉTINCELLES ET UNE TEMPÉRATURE ÉLEVÉE S'IL N'EST PAS UTILISÉ CORRECTEMENT. SI VOUS AVEZ DES DOUTES, N'UTILISEZ PAS CE MODE ET FAITES APPEL À UN SPÉCIALISTE.



- 1 . **Le niveau interne de la batterie** indique le niveau de charge de la batterie interne.
- 2 . **La DEL Chaud (Hot)** s'illumine en rouge continu : l'unité est entièrement opérationnelle, mais approche la limite supérieure de température. Rouge clignotant : l'unité est trop chaude pour procéder à l'aide au démarrage, mais d'autres fonctions sont tout de même disponibles.
- 3 . **La DEL Froid (Cold)** s'illumine en bleu continu : l'unité est entièrement opérationnelle, mais approche la limite inférieure de température. Clignotant bleu : l'unité est trop froide pour procéder à l'aide au démarrage, mais d'autres fonctions sont tout de même disponibles.
- 4 . **Le voyant DEL d'erreur** s'illumine en rouge si la polarité inverse est détectée.
- 5 . **L'indicateur de tension** indique la tension du système de batterie à laquelle le GB500 est actuellement réglé. 12V s'illumine en blanc en mode 12V, et 24V s'illumine en bleu en mode 24V.
- 6 . **Appuyez sur le bouton d'alimentation** pour allumer (On) et éteindre (Off) l'unité.
- 7 . **La DEL d'alimentation (Power)** s'illumine en blanc lorsque l'unité est allumée (On).
- 8 . **Voltmètre** : le voltmètre intégré lit la tension de la batterie du véhicule pour améliorer les diagnostics et les dépannages. Le voltmètre lira automatiquement la tension de n'importe quelle batterie (ou système de batterie) lorsque les pinces de batterie sont connectées - même si l'unité est hors tension (Off). Le voltmètre va lire la tension entre - 3V à ~ 30V. Si la batterie connectée est inférieure à 3V, rien ne s'affiche. Dans cette situation, il est probable qu'il y ait une ou des charges sur la batterie, comme des phares ou un ventilateur c.a. qui devrait être coupé avant d'essayer de démarrer le véhicule.
- 9 . **La DEL Boost** s'illumine en blanc lorsque Boost est actif. Si l'unité est correctement raccordée à une batterie, le GB500 détecte automatiquement une batterie et passe en mode Boost (la DEL blanche clignote lorsque la fonction Surpassément manuel est active).
- 10 . **La DEL de Surpassément manuel** s'illumine en rouge continu lorsque le Surpassément manuel est activé.
- 11 . **Pour activer le bouton de Surpassément manuel**, appuyez et maintenez-le enfoncé pendant trois (3) secondes. **AVERTISSEMENT : Désactive la protection de sécurité et force le Boost manuellement à allumé (On). À utiliser uniquement lorsqu'une batterie est trop faible pour être détectée.**
- 12 . **Tournez le bouton de Sélection de tension** pour commuter entre le mode 12V et 24V.
- 13 . **Le bouton de Mode lumière commute le lampe de travail à travers 7 modes de lumière : 100% > 50% > 10% > SOS > Clignoter > Stroboscope > Éteinte (Off).**
- 14 . **La DEL de sortie USB** s'illumine en blanc; la fonction sortie USB peut être utilisée en mode 12V et 24V.
- 15 . **La DEL de sortie 12V** s'illumine en blanc; la fonction de sortie 12V ne peut être utilisée qu'en mode 12V.
- 16 . **La DEL d'entrée 12V** s'illumine en blanc; la fonction d'entrée 12V ne peut être utilisée qu'en mode 12V.
- 17 . **La DEL de mode lumineux** s'illumine en blanc lorsque le lampe de travail est allumée (On), mais l'unité est éteinte (Off).

Dépannage

Erreur	Raison / Solution
 DEL d'erreur : Rouge continue	Polarité inversée détectée. / Inverser les connexions de la batterie.
DEL d'erreur : Clignote 1 fois	Court-circuit détecté sur les pinces de batterie. / Enlevez toutes les charges, rebranchez les pinces à la batterie.
DEL d'erreur : Clignote 2 fois	La durée de l'aide au démarrage est supérieure à dix (10) minutes. / Coupez la tension à l'unité (Off), puis remettez sous tension (On).
DEL d'erreur : Clignote 3 fois	Défaillance interne du commutateur principal. / Assurez-vous que le bouton de sélection de tension est correctement positionné en position 12V ou 24V.
DEL d'erreur : Clignote 4 fois	Pile de batterie défectueuse détectée pendant la charge. / Coupez la tension à l'unité (Off), contactez le support à la clientèle de NOCO.
DEL d'erreur : Clignote 5 fois	Erreur de surintensité de la sortie XGC. / Retirez la charge de la sortie XGC, puis coupez la tension à l'unité (Off) puis remettez sous tension (On).
 DEL Chaud (Hot) : Continue	L'unité est entièrement opérationnelle, mais approchant la limite supérieure de température. / Laissez refroidir l'unité.
DEL Chaud (Hot) : Clignotant	L'unité est trop chaude pour procéder à l'aide au démarrage, mais d'autres fonctions sont tout de même disponibles. / Laissez refroidir l'unité.
DEL Chaud (Hot) : Clignote Alors toutes les DELs sont éteintes (Off)	L'unité est trop chaude pour l'aide au démarrage ou pour utiliser d'autres fonctions. / Laissez refroidir l'unité et amenez-la dans un environnement plus froid.
 DEL Froid (Cold) : Continue	L'unité est entièrement opérationnelle, mais approchant la limite inférieure de température. / Laissez réchauffer l'unité.
DEL Froid (Cold) : Clignotant	L'unité est trop froide pour procéder à l'aide au démarrage, mais d'autres fonctions sont tout de même disponibles. / Laissez réchauffer l'unité.
DEL Froid (Cold) : Clignote Alors toutes les DELs sont éteintes (Off)	L'unité est trop froide pour l'aide au démarrage ou pour utiliser d'autres fonctions. / Laissez réchauffer l'unité et amenez-la dans un environnement plus chaud.
Note technique	Les batteries au lithium-ion se réchauffent lorsqu'elles sont utilisées. Si la DEL d'erreur Froid (Cold) est allumée, essayez l'aide au démarrage plusieurs fois pour réchauffer la batterie et supprimer l'erreur. Typiquement, 3 à 4 aides au démarrage suffisent pour réchauffer la batterie et supprimer l'erreur.

Spécifications techniques

Batterie interne : Lithium-Ion (Watt Heure 266)

Évaluation de courant de crête : 20,000A

joules3S : 80,000+

Température de fonctionnement : -30°C à +50°C (-22°F à +122°F)

Température de chargement : 0°C à +40°C (32°F à +104°F)

Température de stockage : -20°C à +50°C (-4°F à +122°F) (temp. moy.)

USB (sortie) : Double 5V, 2,1A

12V (Input) : 12V, 5A

12V (Output) : 12V, 15A

Protection du boîtier : IP65 (w/Ports fermés)

Refroidissement : Convection naturelles

Dimensions (Lo x La x Ha) : 12,25 x 8,25 x 2,25 pouces (311,15 x 209,55 x 57,15 mm)

Poids : 8,6 Kg (19 livres)

Garantie

NOCO Genius Un (1) an de garantie limitée.

La NOCO Company ("NOCO") garantit que ce produit ("produit") est libre de défauts matériels et de construction pour une période d'un an (1) à compter de la date d'achat (la "période de garantie"). Pour tout défaut signalé pendant la période de garantie, NOCO remplacera ou réparera sans obligation le produit défectueux, sous réserve d'une vérification par le support technique de NOCO. Les pièces et produits de rechange seront neufs ou reconditionnés, comparables en fonctions et performances au produit d'origine et garantis pour le restant de la période de garantie.

LA RESPONSABILITÉ DE NOCO EST PAR LA PRÉSENTE EXPRESSÉMENT LIMITÉE À UNE REMPLACEMENT OU UNE RÉPARATION. DANS LES LIMITES PERMISES PAR LA LOI, NOCO N'EST PAS RESPONSABLE ENVERS L'ACHETEUR DU PRODUIT OU ENVERS UN TIERS POUR TOUT

DOMMAGE SPÉCIAL, INDIRECT, CONSÉCUTIF OU EXEMPLAIRE COMPRENANT MAIS SANS ÊTRE LIMITÉ À DES BÉNÉFICES PERDUS, DES DOMMAGES MATÉRIELS OU DES BLESSURES CORPORELLES, LIÉS DE QUELQUE FAÇON QUE CE SOIT AU PRODUIT, OU CAUSÉS DE QUELQUE FAÇON QUE CE SOIT PAR LE PRODUIT, MÊME SI NOCO AVAIT CONNAISSANCE DE LA POSSIBILITÉ DE TELS DOMMAGES. LES GARANTIES DÉCRITES ICI REMPLACENT TOUTES AUTRES GARANTIES EXPRESSES, IMPLICITES, STATUTAIRES OU AUTRES, COMPRENANT SANS LIMITATION LES GARANTIES IMPLICITES DE VALEUR COMMERCIALE ET D'ADAPTATION À UNE FIN PARTICULIÈRE, ET CELLES DÉCOULANT D'ACTIVITÉS COMMERCIALES, DE NÉGOCE OU D'UTILISATION. DANS LE CAS OU UNE LOI EN VIGUEUR IMPOSERAIT DES GARANTIES, CONDITIONS OU OBLIGATIONS NE POUVANT ÊTRE EXCLUES OU MODIFIÉES, CE PARAGRAPHE S'APPLIQUERA DANS LA LIMITE PERMISE PAR CES LOIS.

Cette garantie limitée ne s'applique qu'à l'acheteur d'origine du produit si tant est que NOCO ou un distributeur ou revendeur agréé par NOCO a procédé directement à la vente et n'est ni transférable ni cessible. Pour faire valoir la garantie, l'acheteur doit : (1) exiger et obtenir un numéro de d'autorisation de retour, ou RMA (procédure pour renvoyer le matériel défectueux reçu, en vue d'une réparation, d'un remplacement ou d'un remboursement par le même fournisseur et une indication du lieu de retour de marchandise, par le support NOCO joignable sous support@no.co ou en appelant le +1 800 456 6626; et (2) envoyer le produit avec le numéro RMA, le reçu ou le frais applicable de garantie (à défaut de reçu) de 45% du prix de vente au détail du produit défectueux (le frais de garantie) [le RMA comprendra le montant du frais de garantie] au lieu de retour de la marchandise. N'ENVOYEZ PAS LE PRODUIT SANS D'ABORD AVOIR OBTENU LE RMA AUPRÈS DU SUPPORT DE NOCO.

L'ACHETEUR D'ORIGINE EST RESPONSABLE (ET DOIT PRÉ PAYER) TOUT COÛT D'EMBALLAGE ET DE TRANSPORT POUR AVOIR ACCÈS AU SERVICE DE GARANTIE.

NONOBTANT LES INDICATIONS CI-DESSUS, CETTE GARANTIE LIMITÉE EST NULLE ET NE S'APPLIQUE PAS AUX PRODUITS : (a) qui ont été soumis à une utilisation abusive ou négligente, ont été mal manipulés, mal entreposés ou stockés, impliqués dans un accident, utilisés à une tension trop élevée, une température trop élevée, soumis à des chocs, des vibrations sortant du cadre des recommandations de NOCO pour une utilisation sécuritaire et efficace; (b) installés, montés, utilisés ou entretenus de façon incorrecte; (c) on étés ou sont modifiés sans l'autorisation écrite de NOCO; (d)ont été démontés, désassemblés, modifiés ou réparés par tout autre que NOCO; (e) dont les défauts ont étés signalés après la période de garantie.

CETTE GARANTIE LIMITÉ NE COUVRE PAS : (1) une usure habituelle; (2) des dommages superficiels n'affectant pas le bon fonctionnement du produit ; ou (3) des produits NOCO dont le numéro de série est manquant, a été modifié ou rendu illisible.

Vous pouvez enregistrer votre produit NOCO en ligne à l'adresse : no.co/register. Si vous avez des questions concernant votre garantie ou le produit, contactez le support NOCO (l'adresse électronique et le numéro se trouvent ci-dessus) ou bien écrivez à : The NOCO Company, 30339 Diamond Parkway, #102, Glenwillow, OH 44139 USA.

NOCO genius[®] BOOSTMAX[™]

GB500



GEFAHR

Benutzerhinweise und Garantie



LESEN UND VERSTEHEN SIE DIESE SICHERHEITSHINWEISE VOR GEBRAUCH DES PRODUKTS. Die Nichtbefolgung dieser Sicherheitshinweise kann **STROMSCHLÄGE, EXPLOSIONEN, oder FEUER** verursachen, was **SCHWERE VERLETZUNGEN, TOD, oder SACHSCHÄDEN** zur Folge haben kann.



Stromschlag. Das Produkt ist ein elektrisches Gerät, welches Stromschläge und ernsthafte Verletzungen verursachen kann. Zerschneiden oder beschädigen Sie nicht die Netzkabel. Tauchen Sie das Gerät nicht unter Wasser und halten Sie es von Feuchtigkeit fern.



Explosion. Nicht überwachte, inkompatible oder beschädigte Batterien können bei der Benutzung mit dem Produkt zu einer Explosion führen. Lassen Sie das Produkt während des Betriebs nicht unbeaufsichtigt. Versuchen Sie nicht, eine eingefrorene oder beschädigte Batterie fremdzustarten. Verwenden Sie das Produkt nur mit Batterien mit der empfohlenen Spannung. Verwenden Sie das Produkt nur in gut belüfteten Bereichen.



Feuer. Das Produkt ist ein elektrisches Gerät, welches Hitze erzeugt und Verbrennungen verursachen kann. Decken Sie das Produkt nicht ab. Rauchen Sie nicht und benutzen Sie keinerlei Gegenstände, die elektrische Funken oder Feuer erzeugen, während Sie das Produkt bedienen. Halten Sie das Produkt fern von brennbaren Materialien.



Verletzungen am Auge. Tragen Sie bei der Bedienung des Produkts einen Augenschutz. Batterien können explodieren und herumfliegende Teile können Sie verletzen. Batteriesäure kann zu Augen- und Hautirritationen führen. Sollte Batteriesäure in die Augen oder auf die Haut gelangen, spülen Sie den betroffenen Bereich mit laufendem klarem Wasser aus und kontaktieren Sie umgehend den Giftnotruf.



Explosive Gase. In der Nähe von Bleibatterien zu arbeiten ist gefährlich. Batterien erzeugen explosive Gase während des normalen Betriebs. Um das Risiko einer Batterieexplosion zu senken, befolgen Sie alle Sicherheitsanweisungen sowie die Sicherheitshinweise des Batterieherstellers und der Hersteller von jeglichem Zubehör, das in der Nähe der Batterie verwendet wird. Überprüfen Sie die Warnhinweise auf diesem Produkt und auf dem Motor.

Deutsch

Weitere Informationen und
Kundensupport unter:

www.no.co/support

Wichtige Sicherheitshinweise

Proposition 65 Batteriepole, -klemmen und ähnliche Teile enthalten Chemikalien, einschließlich Blei. Der Staat Kalifornien hat anerkannt, dass diese Materialien Krebs verursachen oder zu Geburtsfehlern und anderen reproduktiven Schäden führen können. **Persönliche Vorsichtsmaßnahmen.** Verwenden Sie das Produkt nur für den dafür vorgesehenen Zweck. Es sollte sich jemand in Hör- bzw. Reichweite befinden, um Ihnen im Falle eines Notfalls helfen zu können. Halten Sie sauberes Wasser und Seife griffbereit, für den Fall, dass Sie mit Säure in Kontakt geraten. Tragen Sie eine Schutzbrille und Schutzkleidung während Sie in der Nähe einer Batterie arbeiten. Waschen Sie Ihre Hände nach jedem Umgang mit Batterien oder damit zusammenhängenden Materialien. Tragen Sie keine Metallgegenstände, einschließlich Werkzeuge, Uhren oder Schmuck, während Sie mit Batterien arbeiten und hantieren Sie mit diesen auch nicht in der Nähe der Batterie. Wenn Metall auf die Batterie fällt, könnten Funken oder Kurzschlüsse verursacht werden, die zu Stromschlägen, Feuer oder Explosion führen und Verletzungen, Tod oder Sachschäden zur Folge haben können. **Minderjährige.** Beabsichtigt der Käufer das Produkt von einem Minderjährigen verwenden zu lassen, stimmt der erwachsene Käufer zu, jedem Minderjährigen vor Gebrauch genaue Anweisungen und Sicherheitshinweise zur Verfügung zu stellen. Das Versäumnis, diese Informationen zur Verfügung zu stellen, liegt in der alleinigen Verantwortung des Käufers. Der Käufer stellt NOCO von jeglicher Haftung für unbeabsichtigte oder falsche Bedienung durch Minderjährige frei. **Erstickungsgefahr.** Zubehörteile können eine Erstickungsgefahr für Kinder darstellen. Lassen Sie Kinder nicht unbeaufsichtigt in der Nähe des Produkts oder von Zubehörteilen. Das Produkt ist kein Spielzeug. **Bedienung** Seien Sie vorsichtig bei der Bedienung des Produkts. Das Produkt kann durch Stöße beschädigt werden. Benutzen Sie kein beschädigtes Produkt. Hierzu zählen unter anderem, jedoch nicht ausschließlich, Schäden am Gehäuse oder beschädigte Kabel. Benutzen Sie das Produkt nicht mit einem beschädigten Netzkabel. Feuchtigkeit und Flüssigkeiten können das Produkt beschädigen. Bedienen Sie das Produkt oder elektrische Komponenten nicht in der Nähe von Flüssigkeiten. Lagern und bedienen Sie das Produkt an trockenen Orten. Benutzen Sie das Produkt nicht, wenn es nass geworden ist. Sollte das Produkt während des Betriebs nass werden, ziehen Sie sofort das Kabel aus der Steckdose und aus dem Produkt und setzen Sie den Betrieb auf keinen Fall fort. Schalten Sie das Produkt nicht vom Strom ab, indem Sie an den Kabeln ziehen. **Änderungen.** Versuchen Sie nicht, Teile des Produkts zu verändern, zu modifizieren oder zu reparieren. Das Zerlegen des Produkts kann zu Verletzungen, Tod oder Sachschäden führen. Sollte das Produkt beschädigt werden, nicht richtig funktionieren oder in Kontakt mit Flüssigkeiten kommen, stellen Sie es sofort ab und kontaktieren Sie NOCO. Jegliche Änderungen am Produkt führen zu einem Verlust der Garantie. **Zubehör.** Dieses Produkt ist ausschließlich für die Verwendung mit NOCO-Zubehör zugelassen. NOCO haftet nicht für die Sicherheit des Nutzers oder Schäden infolge der Verwendung von Zubehör, das nicht durch NOCO zugelassen wurde. **Position.** Achten Sie darauf, dass das Produkt nicht in Kontakt mit Batteriesäure kommt. Bedienen Sie das Produkt nicht in geschlossenen oder wenig belüfteten Bereichen. Legen Sie keine Batterie auf das Produkt. Mit der angemessenen Platzierung des Kabels vermeiden Sie Unfallschäden durch sich bewegende Autoteile (einschließlich Motorhaube und Türen), sich bewegende Motorteile (einschließlich Lüfterflügel, Riemen und Riemenscheiben) sowie durch mögliche Stolpergefahr, die zu Verletzungen oder Tod führen kann. **Betriebstemperatur.** Dieses Produkt eignet sich für den Betrieb bei einer Außentemperatur von -30°C bis 50°C. Verwenden Sie das Produkt nicht außerhalb der angegebenen Temperaturbereiche. Versuchen Sie nicht, eine eingefrorene Batterie fremdzustarten. Stellen Sie den Betrieb des Produkts sofort ein, sollte die Batterie übermäßig warm werden. **Lagerung.** Lagern oder bedienen Sie das Produkt nicht in Bereichen, die eine hohe Konzentration von Staub oder luftgetragenen Stoffen aufweisen. Lagern Sie das Produkt auf flachen, sicheren Oberflächen, so dass es nicht herunterfallen kann. Lagern Sie das Produkt an einem trockenen Ort. Lagern Sie das Produkt bei -20°C bis 25°C (durchschnittliche Temperatur). Verwenden Sie das Produkt unter keinen Umständen bei Temperaturen über 80°C. **Kompatibilität.** Das Produkt ist nur für die Verwendung mit 12- und 24-Volt-Bleibatteriesystemen geeignet. Versuchen Sie nicht, das Produkt mit anderen Batterietypen zu verwenden. Das Fremdstarten anderer chemischer Batteriezusammensetzungen kann zu

Verletzungen, Tod oder Sachschäden führen. Kontaktieren Sie zunächst den Hersteller, bevor Sie versuchen, die Batterie fremdzustarten. Versuchen Sie nicht, die Batterie fremdzustarten, wenn Sie nicht die genaue spezifische chemische Zusammensetzung oder Spannung der Batterie kennen. **Die Batterie.** Die im Produkt verbaute Lithium-Ionen-Batterie sollte nur durch NOCO ersetzt werden und muss wiederverwertet oder vom Haushaltsmüll gesondert entsorgt werden. Versuchen Sie nicht, die Batterie eigenständig zu ersetzen und hantieren Sie nicht mit einer beschädigten oder auslaufenden Lithium-Ionen-Batterie. Entsorgen Sie Batterien niemals im Haushaltsmüll. Die Entsorgung von Batterien im Haushaltsmüll ist gemäß den geltenden Umweltgesetzen und -vorschriften auf Bundes- und Landesebene rechtswidrig. Entsorgen Sie gebrauchte Batterien ausschließlich in einem Abfallverwertungszentrum in Ihrer Nähe. Sollte die Produktbatterie zu heiß werden, Geruch entwickeln, sich verformen, aufgeschnitten sein oder sollte das Auftreten von Störungen zu beobachten sein, beenden Sie sofort jegliche Nutzung des Produkts und kontaktieren Sie NOCO. **Laden der Batterie.** Laden Sie das Produkt mit dem beigegeführten 12-Volt-DC-Adapter oder dem 56W-XGC-Netzteil. Seien Sie vorsichtig im Umgang mit qualitativ minderwertigen Netzteilen, da diese eine ernsthafte elektrische Gefahr darstellen können, die zu Verletzungen, Schäden am Gerät sowie Sachschäden führen kann. Die Verwendung von beschädigten Kabeln oder Ladegeräten sowie das Laden bei Feuchtigkeit können zu Stromschlägen führen. NOCO haftet nicht für die Sicherheit des Nutzers während der Verwendung von Zubehör oder Teilen, die nicht durch NOCO zugelassen wurden. Netzteile können während des normalen Gebrauchs sehr warm werden und bei übermäßigem Kontakt mit der Haut zu Verletzungen führen. Sorgen Sie bei der Verwendung von Netzteilen immer für eine ausreichende Belüftung. Um eine maximale Lebensdauer Ihrer Batterie zu erreichen, laden Sie das Produkt nicht mehr als einmal pro Woche, da eine übermäßige Ladung die Lebensdauer verkürzen kann. Mit der Zeit entlädt sich ein unbenutztes Produkt und muss vor der Verwendung neu geladen werden. Trennen Sie das Produkt vom Strom, wenn es nicht verwendet wird. Verwenden Sie das Produkt nur für den dafür vorgesehenen Zweck. **Medizinische Geräte.** Das Gerät kann elektromagnetische Felder ausstrahlen. Das Produkt enthält magnetische Komponenten, die zu Störungen bei Herzschrittmachern, Defibrillatoren oder anderen medizinischen Geräten führen können. Diese elektromagnetischen Felder können bei Herzschrittmachern oder anderen medizinischen Geräten zu Störungen führen. Wenn Sie auf medizinische Geräte, einschließlich Herzschrittmacher, angewiesen sind, konsultieren Sie Ihren Arzt vor der Verwendung des Produkts. Wenn Sie das Gefühl haben, dass das Produkt ein medizinisches Gerät stört, beenden Sie sofort die Nutzung des Produkts und konsultieren Sie Ihren Arzt. **Gesundheitliche Beschwerden.** Wenn Sie unter gesundheitlichen Beschwerden leiden, die durch das Produkt beeinflusst werden, einschließlich, jedoch nicht begrenzt auf Anfälle, Ohnmacht, Augenschmerzen oder Kopfschmerzen, konsultieren Sie Ihren Arzt vor der Verwendung des Produkts. Die Verwendung der eingebauten Hochleistungstaschenlampe kann zu Gefahren bei Lichtempfindlichkeit führen. Die Nutzung des Lichts im „Stroboskop“-Modus kann bei photosensitiver Epilepsie Anfälle auslösen, was unter Umständen zu schweren Verletzungen oder Tod führen kann. **Licht.** Blicken Sie nicht direkt in den Lichtstrahl. Dies kann zu dauerhaften Verletzungen am Auge führen. Dieses Produkt ist mit einer vorfokussierten Hochleistungs-LED-Lampe ausgestattet, die bei Betrieb in voller Stärke einen starken Lichtstrahl erzeugt. **Reinigung.** Trennen Sie das Produkt vom Strom, bevor Sie es reinigen oder warten. Reinigen und trocken Sie das Produkt sofort, sollte es in Kontakt mit Flüssigkeiten oder irgendeiner Art von Schmutzstoffen kommen. Benutzen Sie zur Reinigung ein weiches, flusenfreies (Mikrofaser-) Tuch. Stellen Sie sicher, dass keine Feuchtigkeit in die Öffnungen gelangt. **Explosionsgefährdete Bereiche.** Befolgen Sie alle Schilder und Anweisungen. Bedienen Sie das Produkt nicht in potenziell explosionsgefährdeten Bereichen, einschließlich Tankstellen oder Umgebungen, in denen die Luft mit chemischen Stoffen oder Partikeln, wie z. B. Getreidestaub, Staub und Metallpulver, kontaminiert ist. **Risikobehaftete Aktivitäten.** Dieses Produkt sollte nicht verwendet werden, wenn eine Störung des Produkts zu Verletzungen, Tod oder ernsthaften Umweltschäden führen könnte. **Funktstörungen.** Das Produkt wurde so konzipiert, getestet und hergestellt, dass es mit den Regelungen über Funkfrequenzemissionen übereinstimmt. Solche Emissionen können negative Auswirkungen auf den Betrieb anderer elektronischer Geräte haben und dazu führen, dass diese nicht ordnungsgemäß funktionieren.. **Modellnummer: GB500** Dieses Gerät entspricht Teil 15 der Richtlinien der Federal Communications Commission (FCC). Der Betrieb unterliegt den folgenden zwei Bedingungen: (1) das Gerät darf keine funktechnischen Störungen verursachen, sowie (2) das Gerät muss empfangene Funkstörungen tolerieren, einschließlich Störungen, die einen unerwünschten Betrieb verursachen können. HINWEIS: Dieses Gerät wurde getestet und entspricht den

Grenzwerten für ein digitales Gerät der Klasse A, entsprechend Teil 15 der FCC-Richtlinien. Diese Grenzwerte sollen vertretbaren Schutz gegen Störungen bei Installation in gewerblich genutzten Gebieten gewährleisten. Das Gerät erzeugt und benutzt Funkfrequenzenergie und kann solche abstrahlen und kann, wenn es nicht gemäß den Anweisungen installiert und verwendet wird, Funkkommunikation beeinträchtigen. Der Betrieb dieses Geräts in einem Wohngebiet kann schädliche Interferenzen verursachen, die der Nutzer selbst beseitigen muss.

Betriebsanleitung

Schritt 1: Das GB500 laden.

Das Starthilfegerät GB500 ist bei der Lieferung nur teilweise geladen und muss vor der ersten Inbetriebnahme vollständig aufgeladen werden. Schließen Sie das GB500 mit dem beigefügten 12-Volt-Adapter oder dem 56W-XGC-Netzteil an den 12V-IN-Port an. Das GB500 muss sich im 12V-Modus befinden, um geladen werden zu können. Stellen Sie vor dem Laden sicher, dass der Spannungsregler auf die 12V-Position eingestellt ist. Der XGC-12V-IN-Port hat einen Nennwert von 12V 5A und sorgt für sicheres und effizientes Laden der internen Lithium-Batterie. Aufgrund von Verordnungen der Federal Communications Commission (FCC) empfehlen wir, das Gerät nicht gleichzeitig zu laden und zu entladen. Die Ladezeit des GB500 variiert je nach Entladung und verwendeter Stromquelle. Die tatsächlichen Ergebnissen können je nach Batterieeigenschaften variieren.

25% 50% 75% 100%



Beim Wiederaufladen wird der Ladezustand der internen Batterie von den Lade-LED angezeigt. Die LED leuchten langsam abwechselnd „An“ und „Aus“, bis alle vier Lade-LED durchgehend leuchten. Wenn die Batterie vollständig geladen ist, leuchtet die grüne LED durchgehend und die 25%- , 50%- und 75%-LED schalten auf „Aus“. Die grüne 100%-LED leuchtet ab und an, um anzuzeigen, dass der Erhaltungsladungsmodus aktiv ist.

12V-Gleichstrom-Laden (60W):

Das GB500 muss sich im 12V-Modus befinden, um geladen werden zu können. Stellen Sie vor dem Laden sicher, dass der Spannungsregler auf die 12V-Position eingestellt ist. Verbinden Sie das 12V-Kabel mit dem 12V-IN-Port am GB500 sowie das andere Ende mit dem 12V-Stecker. Schließen Sie es an einen strombetriebenen 12V-AUX-Stecker an (Zigarettenanzünder).

Wechselstrom-Laden (56W):

Das GB500 muss sich im 12V-Modus befinden, um geladen werden zu können. Stellen Sie vor dem Laden sicher, dass der Spannungsregler auf die 12V-Position eingestellt ist. Verbinden Sie das XGC-12V-Kabel mit dem 12V-IN-Port am GB500 sowie das andere Ende des 56W-Netzteils mit einer Wechselstromquelle (100-240V AC Wandsteckdose).

Betreiben Ihrer 12V-Geräte.

Das GB500 muss sich im 12V-Modus befinden, damit der 12V-OUT-Port genutzt werden kann. Verbinden Sie das 12V-Kabel mit dem 12V-OUT-Port am GB500 sowie das andere Ende mit der 12V-Buchse (12V-AUX/Zigarettenanzünder). Schließen Sie ein 12V-Standard-Gerät (bis zu 15A) mit einem 12V-Stecker an und schalten Sie das GB500 auf „On“, um ihr Gerät mit Strom zu versorgen.

Ladezeit: 6-8h

Verwendung eines 12V-DC-Kabels oder AC-Netzteils für die Aufladung eines vollständig entladenen Geräts. Die Ladezeit variiert je nach Grad der Entladung.

Schritt 2: Anschluss an die Batterie.

Bitte lesen und verstehen Sie die im Fahrzeughandbuch angegebenen Vorsichtsmaßnahmen und Empfehlungen für das Fremdstarten des Fahrzeugs. Bevor Sie das Produkt verwenden, stellen Sie die im Handbuch der Batterie angegebene Spannung und den Batterietyp fest. Das GB500 ist nur für das Fremdstarten von 12- und 24-Volt-Bleibatteriesystemen geeignet. Überprüfen Sie die gewählte Spannung des Batteriesystems vor dem Anschluss an die Batterie. Stellen Sie sicher, dass der Spannungsregler auf die korrekte Position eingestellt ist (12V oder 24V), die dem Batteriesystem entspricht, das Sie fremdstarten möchten. Ändern Sie niemals die Spannung, solange das Gerät an eine Batterie angeschlossen ist, sondern nur bei ausgeschaltetem Gerät. Bevor Sie das Gerät an die Batterie anschließen, vergewissern Sie sich, dass es sich um eine 12V-Bleibatterie handelt. Das GB500 ist nicht für andere Batterietypen geeignet. Bestimmen Sie die korrekte Polung der Akkukontakte auf der Batterie. Der positive Akkukontakt ist üblicherweise mit einem der folgenden Buchstaben oder Symbole gekennzeichnet: POS, P, +. Der negative Akkukontakt ist üblicherweise mit einem der folgenden Buchstaben oder Symbole gekennzeichnet: NEG, N, -. Achten Sie darauf, dass es zu keiner Verbindung mit dem Vergaser, den Kraftstoffleitungen oder dünnen Blechteilen kommt. Die unten aufgeführte Anleitung ist für ein System mit Negativerdung (kommt am häufigsten vor). Sollte Ihr Fahrzeug über ein System mit Positiverdung verfügen (äußerst selten), dann befolgen Sie die unten aufgeführte Anleitung in umgekehrter Reihenfolge.

- 1.) Verbinden Sie den negativen (schwarzen) Boost-Max-Anschluss mit dem negativen Port am GB500.
- 2.) Verbinden Sie den positiven (roten) Boost-Max-Anschluss mit dem positiven Port am GB500.
- 3.) Reinigen Sie vor dem Anschließen immer die Klemmen. HINWEIS: Fehlerhafte Verbindungen oder schmutzige Klemmen können zu Rauchbildung führen. Batterien mit sehr niedriger Spannung erhöhen ebenfalls die Gefahr von Rauchbildung.
- 4.) Verbinden Sie den positiven (roten) Boost-Max-Anschluss mit dem positiven (POS, P, +) Akkukontakt. (Die Erdung am Chassis ist möglicherweise ungeeignet für die Starthilfe großer Anwendungen.)
- 5.) Verbinden Sie den negativen (schwarzen) Boost-Max-Anschluss mit dem negativen (NEG, N, -) Akkukontakt oder der Fahrzeugkarosserie.
- 6.) Wenn Sie die Verbindung trennen, tun Sie das bitte in umgekehrter Reihenfolge, d. h. zuerst die negative (oder positive bei Systemen mit Positiverdung) Batterieklemme entfernen.

Schritt 3: Fremdstarten.

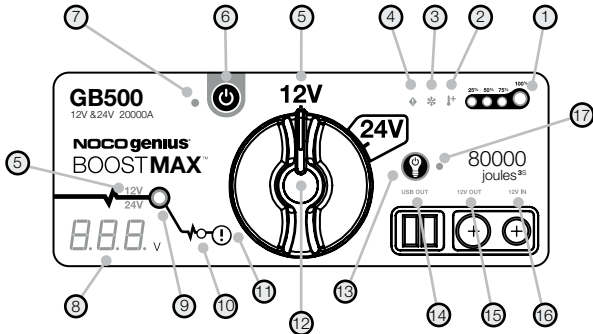
- 1.) Stellen Sie vor dem Fremdstarten des Fahrzeugs sicher, dass alle stromabhängigen Anwendungen (Scheinwerfer, Radio, Klima-Anlage etc.) ausgeschaltet sind. Wenn das Fahrzeug mit einem Hauptschalter ausgestattet ist, drehen Sie diesen in die Einschaltstellung.
- 2.) Drücken Sie den An-Knopf, um das Fremdstarten zu beginnen. Alle LED-Lampen leuchten: alle LED funktionieren ordnungsgemäß. Wenn Sie korrekt an die Batterie angeschlossen sind, leuchtet die weiße Boost-LED. Wenn die Batterieklemmen falsch angeschlossen sind, leuchtet die rote Fehler-LED. Schließen Sie die Batterieklemmen umgekehrt an, um den Fehler zu beheben: die weiße Boost-LED leuchtet. Die weiße Boost-LED leuchtet, wenn das GB500 bereit ist, Ihr Fahrzeug fremdzustarten.
- 3.) Versuchen Sie, das Fahrzeug zu starten. Die meisten Fahrzeuge springen sofort an. Bei manchen Fahrzeugen ist es erforderlich, dass das GB500 bis zu 30 Sekunden angeschlossen ist, bevor das Fahrzeug anspringt. Sollte das Fahrzeug nicht sofort anspringen, warten Sie 20-30 Sekunden und versuchen Sie es erneut. Versuchen Sie innerhalb von fünfzehn (15) Minuten nicht mehr als fünf (5) Mal hintereinander das Fahrzeug fremdzustarten. Lassen Sie das GB500 fünfzehn (15) Minuten ruhen, bevor Sie erneut versuchen, das Fahrzeug fremdzustarten.
- 4.) Nachdem das Fahrzeug angesprungen ist, klemmen Sie die Batterieklemmen ab und entfernen Sie das G500.

Batterien mit niedriger Spannung und Handbetätigung.

Das GB500 ist zum Fremdstarten von 12V-Bleibatterien konzipiert, die bis auf 2V entladen sind. Sollte Ihre Batterie weniger als 2V haben, bleibt die Boost-LED auf „Aus“ geschaltet. Das deutet darauf hin, dass das GB500 keine Batterie erkennen kann. Mithilfe der Funktion „Handbetätigung“ können Sie eine Batterie mit weniger als 2V fremdstarten, indem Sie die Fremdstartfunktion („An“) erzwingen.


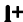

ACHTUNG.

SEIEN SIE BEI DER VERWENDUNG DIESES MODUS BESONDERS VORSICHTIG. DIESER MODUS EIGNET SICH NUR FÜR 12V- ODER 24V-BLEIBATTERIEN. STELLEN SIE SICHER, DASS DER SPANNUNGSREGLER AUF DIE KORREKTE POSITION EINGESTELLT IST (12V ODER 24V), DIE DEM BATTERIESYSTEM ENTSpricht, DAS SIE LADEN MÖCHTEN. IN DIESEM MODUS SIND SOWOHL DIE FUNKENSICHERHEIT ALS AUCH DER VERPOLUNGSSCHUTZ DEAKTIVIERT. ACHTEN SIE GANZ BESONDERS AUF DIE POLUNG DER BATTERIE, BEVOR SIE DIESEN MODUS WÄHLEN. ACHTEN SIE DARAUF, DASS DIE POSITIVE UND DIE NEGATIVE BATTERIEKLEMME NICHT MITEINANDER IN BERÜHRUNG KOMMEN, DA DIES ZU FUNKENBILDUNG FÜHREN KANN. DIESER MODUS FUNKTIONIERT MIT HOCHSTROM (BIS ZU 20.000 AMPERE) UND KANN BEI FALSCHER HANDHABUNG ZU FUNKENBILDUNG UND STARKER HITZE FÜHREN. FALLS SIE UNSICHER SIND, WAS DIE VERWENDUNG DIESES MODUS BETRIFFT, LASSEN SIE SICH VOR DER ANWENDUNG VON EINEM FACHMANN BERATEN.



- 1. Stand der internen Batterie** Gibt den Ladezustand der internen Batterie an.
- 2. LED „Heiß“** Leuchtet dauerhaft rot; das Gerät ist voll funktionsfähig, erreicht jedoch die obere Temperaturgrenze. Blinkt rot; das Gerät ist zu heiß zum Fremdstarten, andere Funktionen können jedoch noch verwendet werden.
- 3. LED „Kalt“** Leuchtet dauerhaft blau; das Gerät ist voll funktionsfähig, erreicht jedoch die untere Temperaturgrenze. Blinkt blau; das Gerät ist zu kalt zum Fremdstarten, andere Funktionen können jedoch noch verwendet werden.
- 4. LED „Fehler“** Leuchtet rot, wenn eine Verpolung erkannt wird.
- 5. Spannungsanzeige** Zeigt die Spannung des Batteriesystems an, die aktuell am GB500 eingestellt ist. 12V - leuchtet weiß, wenn der 12V-Modus eingestellt ist, 24V - leuchtet blau, wenn der 24V-Modus eingestellt ist.
- 6. An-Knopf** Drücken, um das Gerät an- („On“) oder auszuschalten („Off“).
- 7. LED „An“** Leuchtet weiß, wenn das Gerät eingeschaltet ist („On“).
- 8. Spannungsmesser** Der eingebaute Spannungsmesser misst die Stromspannung der Fahrzeugbatterie für eine erweiterte Diagnostik und Fehlersuche. Der Spannungsmesser misst die Stromspannung von jeder Batterie (oder jedem Batteriesystem) automatisch, wenn die Batterieklemmen angeklemt sind – sogar wenn das Gerät ausgeschaltet ist. Der Spannungsmesser misst Voltzahlen zwischen ~3V und ~30V. Hat die angeschlossene Batterie eine Stromspannung von unter 3V, wird nichts angezeigt. Ist dies der Fall, wird die Batterie wahrscheinlich beansprucht, etwa durch Scheinwerfer oder eine Klima-Anlage. Diese sollten vor dem Versuch, das Fahrzeug zu starten, ausgeschaltet werden.
- 9. LED „Boost“** Leuchtet weiß, wenn die Option „Boost“ aktiviert ist. Wenn das Gerät ordnungsgemäß an die Batterie angeschlossen ist, wird das GB500 die Batterie automatisch erkennen und in den Boost-Modus schalten (die weiße LED leuchtet auf, wenn die Funktion „Handbetätigung“ aktiviert ist).
- 10. LED „Handbetätigung“** Leuchtet dauerhaft rot, wenn die Funktion „Handbetätigung“ aktiviert ist.
- 11. Handbetätigung** Drücken und drei (3) Sekunden gedrückt halten, um die Handbetätigung zu aktivieren. **WARNHINWEIS: Deaktiviert den Sicherheitsschutz und erzwingt manuell das „An“-springen der Zusatzspannung. Nur verwenden, wenn die Batterie zu leer ist, um erkannt zu werden.**
- 12. Spannungsregler** Drehen, um zwischen dem 12V-Modus und dem 24V-Modus zu wählen.
- 13. Lichtmodus-Knopf** Schaltet die Taschenlampe durch sieben (7) Lichtmodi: 100% > 50% > 10% > SOS > Blinken > Stroboskop > Aus
- 14. LED „USB Out“** Leuchtet weiß; die Funktion „USB Out“ kann sowohl im 12V- als auch im 24V-Modus genutzt werden.
- 15. LED „12V Out“** Leuchtet weiß; die Funktion „12V Out“ kann nur im 12V-Modus genutzt werden.
- 16. LED „12V In“** Leuchtet weiß; die Funktion „12V In“ kann nur im 12V-Modus genutzt werden.
- 17. LED „Lichtmodus“** Leuchtet weiß, wenn das Arbeitslicht an („On“) ist, das Gerät jedoch ausgeschaltet ist.

Fehlersuche

Fehler	Grund/Lösung
 <p>LED „Fehler“: Dauerhaftes Rot LED „Fehler“: Einmaliges (1) Aufleuchten LED „Fehler“: Doppeltes (2) Aufleuchten LED „Fehler“: Dreifaches (3) Aufleuchten LED „Fehler“: Vierfaches (4) Aufleuchten LED „Fehler“: Fünffaches (5) Aufleuchten</p>	<p>Verpolung erkannt. / Klemmen Sie die Batterieklemmen umgekehrt an. Kurzschluss an den Batterieklemmen erkannt. / Entfernen Sie alle Lasten und verbinden Sie die Klemmen erneut mit der Batterie. Das Fremdstarten dauert länger als zehn (10) Minuten. / Schalten Sie das Gerät aus („Off“) und anschließend wieder an („On“). Interner Fehler im Hauptschalter. / Stellen Sie sicher, dass der Spannungsregler korrekt auf die 12V- oder 24V-Position eingestellt ist. Fehlerhafte Batteriezelle während des Ladens erkannt. / Schalten Sie das Gerät aus und kontaktieren Sie den NOCO-Support. XGC OUT Überstromfehler. / Entfernen Sie die Belastung am XGC OUT, dann schalten Sie das Gerät aus („Off“) und wieder an („On“).</p>
 <p>LED „Heiß“: Dauerhaft LED „Heiß“: Blinkend LED „Heiß“: Blinkt, dann gehen alle LEDs aus</p>	<p>Das Gerät ist voll funktionsfähig, erreicht jedoch die obere Temperaturgrenze. / Lassen Sie das Gerät abkühlen. Das Gerät ist zu heiß zum Fremdstarten, andere Funktionen können jedoch noch verwendet werden. / Lassen Sie das Gerät abkühlen. Das Gerät ist zu heiß, um damit fremdzustarten oder andere Funktionen zu verwenden. / Lassen Sie das Gerät abkühlen und stellen Sie es in eine kühlere</p>
 <p>LED „Kalt“: Dauerhaft LED „Kalt“: Blinkend LED „Kalt“: Blinkt, dann gehen alle LEDs aus</p>	<p>Das Gerät ist voll funktionsfähig, erreicht jedoch die untere Temperaturgrenze. / Lassen Sie das Gerät warm werden. Das Gerät ist zu kalt zum Fremdstarten, andere Funktionen können jedoch noch verwendet werden. / Lassen Sie das Gerät warm werden. Das Gerät ist zu kalt, um damit fremdzustarten oder andere Funktionen zu verwenden. / Lassen Sie das Gerät warm werden und stellen Sie es in eine wärmere Umgebung.</p>
<p>Technischer Hinweis</p>	<p>Lithium-Ionen-Batterien wärmen sich während der Benutzung selbst auf. Leuchtet die Fehler-LED „Kalt“ auf, versuchen Sie mehrere Male fremdzustarten, um die Batterie aufzuwärmen und den Fehler zu beseitigen. Üblicherweise reichen drei bis vier (3 -4) Fremdstartversuche aus, um die Batterie aufzuwärmen und den Fehler zu beseitigen.</p>

Technische Daten

Interne Batterie:	Lithium-Ionen (Wattstunde 266)
Spitzenstrombelastbarkeit:	20,000A
Joule / 3S:	80,000+
Betriebstemperatur:	-30°C bis +50°C (-22°F bis +122°F)
Ladetemperatur:	0°C bis +40°C (32°F bis +104°F)
Speichertemperatur:	-20°C bis +50°C (-4°F bis +122°F) (durchschn. Temp.)
USB (Ausgang):	Dual 5V, 2,1A
12V (Input):	12V, 5A
12V (Output):	12V, 15A
Gehäuseschutz:	IP65 (bei geschlossenen Ports)
Kühlung:	Natürliche Konvektion
Abmessungen (L x B x H):	12,25 x 8,25 x 2,25 Zoll (311,15 x 209,55 x 57,15 mm)
Gewicht:	8,6 Kilogramm

Garantie

NOCO Genius Eingeschränkte Garantie über ein (1) Jahr

The NOCO Company („NOCO“) gewährleistet, dass dieses Produkt („das Produkt“) für die Laufzeit von einem (1) Jahr ab Kaufdatum („Garantielaufzeit“) frei von wesentlichen Verarbeitungs- und Materialfehlern ist. Bei Auftreten eines Fehlers während der Garantielaufzeit gewährleistet NOCO, nach eigenem Ermessen und gemäß der Analyse des unternehmenseigenen technischen Supports, fehlerhafte Produkte zu den unten angegebenen Gebühren zu reparieren oder auszutauschen. Bauteile und Austauschprodukte sind neu oder wurden servicefreundlich verwendet, sind in ihrer Funktion und Leistung vergleichbar mit dem ursprünglichen Produkt und unterliegen einer Garantie für die Restzeit der ursprünglichen Garantielaufzeit.

UNSERE HAFTUNG IST HIERMIT AUSDRÜCKLICH BESCHRÄNKT AUF ERSATZ ODER REPARATUR. SOWEIT GESETZLICH ZULÄSSIG HAFTET NOCO NICHT GEGENÜBER KÄUFERN DES PRODUKTS ODER DRITTEN FÜR AUSSERGEWÖHNLICHE, INDIREKTE, EXEMPLARISCHE ODER FOLGESCHÄDEN, EINSCHLIESSLICH, JEDOCH OHNE BESCHRÄNKUNG AUF, GEWINNVERLUSTE, SACH- ODER PERSONENSCHÄDEN, GLEICH

WELCHER ART UND URSACHE, AUCH WENN NOCO KENNTNIS VON DER MÖGLICHKEIT SOLCHER SCHÄDEN HATTE. DIE HIER FESTGELEGTE GARANTIE ERSETZT ALLE ANDEREN GARANTIEEN, OB AUSDRÜCKLICH, STILLSCHWEIGEND, GESETZLICH ODER ANDERWEITIG, EINSCHLIESSLICH, JEDOCH OHNE BESCHRÄNKUNG AUF, DIE STILLSCHWEIGENDEN GARANTIEEN DER ALLGEMEINEN GEBRAUCHSTAUGLICHKEIT UND TAUGLICHKEIT FÜR EINEN BESTIMMTEN ZWECK SOWIE JENE GARANTIEEN, DIE SICH AUS DEM REGULÄREN GESCHÄFTSBETRIEB, NUTZUNG ODER HANDELSPRAXIS ERGEBEN. WO GELTENDES RECHT GARANTIEEN, BEDINGUNGEN ODER VERPFLICHTUNGEN VORSIEHT, DIE NICHT AUSGESCHLOSSEN ODER VERÄNDERT WERDEN KÖNNEN, SO GELTEN DIE BESTIMMUNGEN DIESES ABSCHNITTS IM GRÖSSTMÖGLICHEN GESETZLICH VORGESEHENEN UMFANG.

Diese beschränkte Garantie gilt ausschließlich für den Erstkäufer dieses Produkts, das dieser direkt von NOCO oder über einen anerkannten Vertriebspartner erworben hat, und kann nicht übertragen werden. Um einen Garantieanspruch geltend zu machen, muss der Käufer: (1) eine Warenrücksendegenehmigungsnummer (return merchandise authorization - RMA) sowie Informationen zum Rückgabeort (der „Rückgabeort“) per E-Mail an support@no.co oder per Telefon unter 1.800.456.6626 anfordern; sowie (2) das Produkt, einschließlich RMA-Nummer, Empfangsbestätigung oder Garantiegebühr (nur fällig bei fehlender Empfangsbestätigung) in Höhe von 45% des vorgeschlagenen Listenpreises des fehlerhaften Produkts (die „Garantiegebühr“) [RMA umfasst die entsprechende Garantiegebühr] an den Rückgabeort senden. SENDEN SIE DAS PRODUKT ERST AN DEN RÜCKGABEORT, NACHDEM SIE EINE WARENRÜCKSENDEGENEHMIGUNG (RMA) DURCH DEN NOCO-SUPPORT ERHALTEN HABEN.

DER ERSTKÄUFER SORGT FÜR DIE VERPACKUNG UND DEN VERSAND DER WARE, UM PRODUKTE IM RAHMEN DER GARANTIELEISTUNG AN DEN RÜCKGABEORT ZU SENDEN, UND MUSS DIESE IM VORAUS BEZAHLEN.

UNABHÄNGIG DAVON GILT DIESE BESCHRÄNKTE GEWÄHRLEISTUNG NICHT FÜR PRODUKTE, DIE: (a) unsachgemäß gehandhabt oder angewendet werden, übermäßigem Verschleiß ausgesetzt waren oder nachlässig behandelt wurden, unsachgemäß gelagert oder Bedingungen wie extremer Spannung, Temperatur, Erschütterungen oder Vibrationen ausgesetzt wurden, die über die Empfehlungen für eine gefahrlose und wirksame Nutzung hinausgehen; (b) unsachgemäß installiert, verwendet oder gewartet wurden; (c) ohne die schriftliche Einwilligung von NOCO verändert wurden/ werden; (d) durch Dritte demontiert, verändert oder repariert wurden; (e) deren Fehlerhaftigkeit erst nach der Garantiefrist mitgeteilt wurden.

NICHT ABGEDECKT DURCH DIESE EINGESCHRÄNKTE GARANTIE SIND: (1) normale Abnutzung; (2) kosmetische Schäden, die die Funktionsfähigkeit nicht beeinträchtigen; oder (3) Produkte, bei denen die NOCO-Seriennummer fehlt, verändert wurde, oder unleserlich gemacht wurde.

Sie können Ihr NOCO-Produkt online unter folgender URL registrieren: no.co/register. Wenn Sie Fragen zu Ihrem Produkt oder Ihrer Garantie haben sollten, wenden Sie sich bitte an den NOCO-Support (E-Mail und Telefon siehe oben) oder schreiben Sie an: The NOCO Company, 30339 Diamond Parkway, #102, Glenwillow, OH 44139 USA.

NOCO genius[®] BOOSTMAX[™] GB500



PERICOLO

Manuale d'uso e Garanzia



LEGGERE ATTENTAMENTE LE INFORMAZIONI DI SICUREZZA PRIMA DI UTILIZZARE IL PRODOTTO. Il mancato rispetto delle informazioni di sicurezza può causare **SCOSSE ELETTRICHE, ESPLOSIONI e INCENDI** con il rischio di possibili **GRAVI DANNI ALLA SALUTE, a COSE e anche la MORTE.**



Scosse elettriche. Il prodotto è un dispositivo elettrico che può causare scosse elettriche e lesioni gravi. Non tagliare i cavi di alimentazione. Non immergere in acqua o bagnare.



Esplosione. Batterie non monitorate, non compatibili o danneggiate possono esplodere se utilizzate con il prodotto. Non lasciare il prodotto incustodito se in uso. Non cercare di ricaricare batterie danneggiate o congelate. Usare il prodotto solo con batterie che hanno tensione consigliata. Usare il prodotto in zone ben ventilate.



Incendio. Il prodotto è un dispositivo elettrico che produce calore e può pertanto causare scottature. Non coprire il prodotto. Non fumare o impiegare altre apparecchiature che potrebbero causare scintille o fuoco quando il prodotto è in uso. Tenere il prodotto a distanza da materiali infiammabili.



Lesioni agli occhi. Utilizzare occhiali protettivi quando si utilizza il prodotto. Le batterie possono esplodere e scagliare frammenti a distanza. L'acido contenuto nella batteria può irritare gli occhi e la pelle. Nel caso di contatto con occhi e pelle, sciacquare abbondantemente l'area interessata con acqua corrente e rivolgersi subito al medico.



Gas esplosivi. Eseguire qualsiasi operazione in prossimità di batterie al piombo-acido può essere pericoloso. Le batterie generano gas esplosivi durante il loro normale utilizzo. Per ridurre il rischio che la batteria esploda, seguire attentamente tutte le istruzioni di sicurezza, comprese quelle della batteria stessa e quelle di qualsiasi altro dispositivo che si intenda utilizzare in prossimità della batteria. Prestare attenzione ai simboli di pericolo presenti su questi prodotti e sul motore.

Italiano

Per maggiori informazioni
e supporto visitare:

www.no.co/support

Importanti informazioni di sicurezza

Proposition 65. I poli delle batterie, i terminali e altri accessori correlati contengono sostanze chimiche, tra cui il piombo. Lo Stato della California ritiene che queste sostanze possano causare cancro, difetti alla nascita e altri danni riproduttivi. **Precauzioni personali.** Utilizzare il prodotto solo per l'uso a cui è destinato. Si consiglia di trovarsi in prossimità di qualcuno che possa essere allertato dal suono della vostra voce o che si trovi a una distanza tale da poter prestare soccorso in caso di emergenza. Accertarsi di avere a disposizione dell'acqua fresca e del sapone in caso si entri accidentalmente in contatto con l'acido della batteria. Indossare occhiali di protezione e abbigliamento adeguato durante lo svolgimento di qualsiasi operazione in prossimità di una batteria. Lavarsi sempre le mani dopo aver toccato batterie e altri materiali correlati. Non maneggiare o indossare oggetti metallici tra cui attrezzi, orologi e gioielli quando si svolgono operazioni con batterie. Se oggetti metallici urtano la batteria possono provocare scintille o creare cortocircuiti con il rischio di scosse elettriche, incendi ed esplosioni, che possono essere causa di lesioni, morte e danni alla proprietà.

Minori. Se l'acquirente compera il prodotto destinandone l'uso a un minore, l'adulto si impegna a fornire istruzioni e avvertimenti dettagliati al minore prima dell'uso. La mancata osservanza di ciò è da considerarsi come sola e unica responsabilità dell'acquirente che accetta di esimere NOCO da ogni responsabilità legata a un qualsiasi uso inappropriato del prodotto da parte di minori. **Rischio di soffocamento.** Gli accessori possono costituire un rischio di soffocamento per i bambini. Non lasciare bambini incustoditi in prossimità del prodotto e di altri accessori. Questo prodotto non è un giocattolo. **Impiego.** Maneggiare il prodotto con cura. Il prodotto può essere danneggiato a seguito di urti. Non utilizzare il prodotto qualora siano presenti danni, compresi a titolo esemplificativo ma non limitativo, fenditure sulla parte esterna e cavi danneggiati. Non usare il prodotto se il cavo di alimentazione risulta danneggiato. Umidità e liquidi possono causare danni al prodotto. Non utilizzare il prodotto o qualsiasi altro componente elettrico in prossimità di liquidi. Conservare e utilizzare il prodotto in luoghi secchi e asciutti. Non utilizzare il prodotto se bagnato. Qualora il prodotto dovesse bagnarsi mentre è in funzione, scollegarlo dalla batteria e interromperne l'uso immediatamente. Non scollegare il prodotto tirando via i cavi con forza.

Modifiche. Non alterare, modificare o riparare nessuna componente del prodotto. Smontare il prodotto potrebbe causare lesioni, morte o danni alla proprietà. Se il prodotto fosse danneggiato, presentasse un malfunzionamento o venisse a contatto con liquidi, interromperne immediatamente l'uso e contattare NOCO. Qualsiasi modifica apportata al prodotto annulla la validità della garanzia. **Accessori.** L'uso di questo prodotto è approvato solo con accessori NOCO. NOCO non si assume alcuna responsabilità riguardo alla sicurezza dell'utente o a eventuali danni legati all'impiego di accessori che non siano approvati da NOCO. **Posizione.** Evitare che l'acido della batteria venga a contatto con il prodotto. Non eseguire operazioni con il prodotto in spazi ristretti e scarsamente ventilati. Non posizionare la batteria sopra il prodotto. Posizionare i cavi di collegamento in modo appropriato così da evitare danni accidentali muovendo parti del veicolo (tra cui cofano e portiere), parti del motore (comprese le pale della ventola, cinghie e pulegge), o qualsiasi altra parte che potrebbe costituire un pericolo e causare lesioni o morte. **Temperatura di funzionamento.**

Questo prodotto è progettato per essere usato a una temperatura ambiente compresa fra -30 °C e 50 °C. Non utilizzare il prodotto a temperature non incluse in questo range. Non effettuare avviamenti di emergenza su batterie congelate. Interrompere immediatamente l'uso del prodotto se la batteria si surriscalda. **Conservazione.** Non utilizzare o conservare il prodotto in ambienti a elevata concentrazione di polvere o pulviscolo atmosferico. Collocare il prodotto su una superficie piana e stabile in modo da scongiurare il rischio di cadute. Conservare il prodotto in ambienti secchi e asciutti. La temperatura di conservazione è -20 °C - 25 °C (temperatura media). Non superare mai gli 80 °C. **Compatibilità.** Il prodotto è compatibile solo con accumulatori al piombo-acido da 12V e 24V. Non usare il prodotto con nessun altro tipo di accumulatore. L'avviamento di emergenza di accumulatori con composizione chimica differente a quella specificata potrebbe causare lesioni, morte o danni alla proprietà. Contattare il produttore dell'accumulatore prima di effettuarne l'avviamento di emergenza. Non effettuare avviamenti di emergenza su accumulatori di cui non si conosce

la composizione chimica o la tensione. **La batteria.** La batteria agli ioni di litio incorporata nel prodotto può essere sostituita solo da NOCO e deve essere riciclata o smaltita separatamente dai rifiuti domestici. Non cercare di sostituire la batteria e non maneggiare batterie agli ioni di litio che presentino danni o fuoriuscite. Non disfarsi della batteria assieme ai rifiuti domestici. Lo smaltimento di batterie assieme ai rifiuti domestici è contro la legge e le normative in materia ambientale. Consegnare le batterie usate agli appositi centri di raccolta locali. Se la batteria del prodotto diventa eccessivamente calda e maleodorante, deformata, presenta tagli o se in essa si osserva il verificarsi di una circostanza anormale, interromperne immediatamente l'uso e rivolgersi a NOCO. **Ricarica della batteria.** Ricarica il prodotto mediante l'alimentatore a corrente continua incluso da 12V o l'alimentatore XGC da 56W. Si consiglia di evitare alimentatori di scarsa qualità, in quanto possono costituire un serio rischio elettrico, con possibili danni a persone, dispositivi e alla proprietà. L'impiego di cavi o caricabatterie danneggiati, così come effettuare ricariche in condizioni di umidità e condensa, può causare scosse elettriche. NOCO non si assume alcuna responsabilità riguardo alla sicurezza dell'utente qualora vengano impiegati accessori o fonti di alimentazione che non abbiano l'approvazione di NOCO. Gli alimentatori potrebbero riscaldarsi durante l'uso, pertanto un contatto prolungato con la pelle potrebbe causare lesioni. Garantire sempre un adeguato livello di ventilazione agli alimentatori durante l'utilizzo. Per garantire la massima durata di vita alla batteria, evitare di caricare il prodotto per una durata superiore a una settimana alla volta: sovraccaricare il prodotto può ridurre la vita della batteria. Nel corso del tempo, il mancato utilizzo del prodotto può causarne l'esaurimento della carica e in tal caso sarà necessario procedere alla ricarica prima dell'impiego. Scollegare il prodotto da fonti di alimentazione quando non in uso. Utilizzare il prodotto solo per gli usi per cui è stato progettato. **Dispositivi medici.** Il prodotto può emettere campi elettromagnetici. Il prodotto contiene componenti magnetiche che possono interferire con il funzionamento di pacemaker, defibrillatori e altri dispositivi medici. Tali campi elettromagnetici possono interferire con il funzionamento di pacemaker e altri dispositivi medici. Consultare il medico prima di procedere all'uso del prodotto in caso si sia portatori di dispositivi medici tra cui pacemaker. Se si ha il sospetto che il prodotto interferisca con dispositivi medici, interromperne immediatamente l'uso e rivolgersi al medico. **Condizioni mediche.** Se si è affetti da condizioni mediche, quali ad esempio crisi epilettiche, svenimenti, affaticamento oculare o emicrania, e si ritiene che queste possano essere influenzate dall'impiego del prodotto, consultare il proprio medico prima di procedere all'uso. L'impiego della potente torcia integrata nel prodotto può costituire un pericolo di sensibilità alla luce. L'impiego della modalità strobe può causare convulsioni in persone con epilessia fotosensibile, con conseguenti lesioni fisiche gravi o la morte. **Torcia.** Puntare gli occhi direttamente verso il fascio luminoso emesso dalla torcia può provocare danni permanenti agli occhi. Il prodotto contiene una torcia prefocalizzata con LED ad alto rendimento, in grado di emettere un fascio di luce potente se regolato al massimo. **Pulizia.** Scollegare il prodotto dalla presa di corrente prima di effettuare qualsiasi tipo di manutenzione o pulizia. Pulire e asciugare immediatamente il prodotto qualora venga a contatto con liquidi o altri agenti contaminanti. Utilizzare un panno morbido che non lasci residui e pelucchi (microfibra). Evitare che condensa e umidità penetrino all'interno delle aperture. **Rischio di esplosioni.** Rispettare tutti i simboli di pericolo e le istruzioni. Non utilizzare il prodotto in ambienti che possano contenere gas esplosivi, come ad esempio aree di rifornimento carburante o aree dove siano presenti sostanze chimiche o particelle come granelli, polvere o polveri metalliche. **Attività con conseguenze gravi.** Questo prodotto non è da destinarsi all'uso qualora eventuali guasti dello stesso possano causare lesioni, morte o gravi danni all'ambiente. **Interferenze.** Il prodotto è stato progettato, testato e realizzato in ottemperanza con le normative che regolano le emissioni di radiofrequenze. Le emissioni rilasciate dal prodotto possono compromettere il funzionamento di altri dispositivi elettronici, causandone il malfunzionamento. **Numero di modello: GB500.** Questo dispositivo è conforme alla Parte 15 delle normative FCC. L'utilizzo è soggetto alle due condizioni seguenti: (1) questo dispositivo non causa interferenze dannose, e (2) questo dispositivo deve essere in grado di tollerare qualsiasi interferenza ricevuta, comprese quelle che possano causare un funzionamento indesiderato. **NOTA:** Questo apparecchio è stato testato ed è risultato conforme ai limiti previsti per i dispositivi digitali di Classe A, in linea con la Parte 15 delle normative FCC. Questi limiti sono stati creati con l'obiettivo di fornire un buon livello di protezione da interferenze pericolose qualora il dispositivo venga utilizzato in ambienti commerciali.

Questo apparecchio genera, impiega e può emettere radiofrequenze e, se non installato e utilizzato in conformità con le istruzioni presenti nel manuale d'uso, può causare interferenze che influenzano negativamente le radiocomunicazioni. Poiché l'utilizzo di questo apparecchio in aree residenziali può causare interferenze, è responsabilità dell'utente risolvere il problema di interferenza a proprie spese.

Come usare il prodotto

Fase 1: Ricarica di GB500.

Al momento dell'acquisto GB500 presenta uno stato di carica parziale ed è necessario effettuare una ricarica completa prima dell'uso. Collegare GB500 inserendo l'alimentatore elettrico da 12V incluso o l'alimentatore XGC da 56W alla porta d'ingresso da 12V. GB500 deve essere in modalità 12V per essere ricaricato. Accertarsi che la manopola di controllo della tensione sia posizionata su 12V prima di procedere con la carica. La porta di ingresso da 12V di XGC è tarata a 12V, 5A per consentire una ricarica sicura ed efficiente dell'accumulatore interno al litio. In ottemperanza alle normative FCC, si consiglia di non ricaricare il dispositivo mentre è in uso. Il tempo di ricarica di GB500 varia a seconda di quanto è scarico l'accumulatore e della fonte di alimentazione elettrica impiegata. I risultati effettivi possono variare in base alle condizioni dell'accumulatore.

Tempo di ricarica: 6-8 ore

Utilizzare un cavo per la corrente continua da 12V o un alimentatore a corrente alternata per effettuare la ricarica di un'unità completamente scarica. Il tempo di ricarica varia in base al livello di carica preesistente.

25% 50% 75% 100%



Durante la ricarica, il livello di carica della batteria interna è indicato dagli appositi LED. I LED emettono una luce intermittente che diventa fissa quando tutti e quattro i LED di carica sono accesi. Quando la batteria è completamente carica, la luce verde che contrassegna il massimo della carica diventa costante, mentre gli altri LED di carica del 25%, 50% e 75% si spengono. Di tanto in tanto, il LED verde che contrassegna il massimo della carica emette una luce pulsante per indicare che è in corso la carica di mantenimento.

Carica 12V corrente continua (60W).

GB500 deve essere in modalità 12V per essere ricaricato. Assicurarsi che la manopola di controllo della tensione sia posizionata su 12V prima di procedere con la carica. Collegare il cavo da 12V alla porta d'ingresso da 12V di GB500 e l'altra estremità alla spina maschio da 12V. Inserire in una presa AUX da 12V (presa accendisigari)

Carica corrente alternata (56W).

GB500 deve essere in modalità 12V per essere ricaricato. Assicurarsi che la manopola di controllo della tensione sia posizionata su 12V prima di procedere con la carica. Collegare il cavo di XGC da 12V alla porta d'ingresso da 12V di GB500, e l'altra estremità dell'alimentatore da 56W a una presa di corrente alternata (presa muro da 100-240VAC).

Alimentazione di dispositivi da 12V.

GB500 deve essere in modalità 12V per rilasciare 12V. Collegare il cavo da 12V alla porta di uscita da 12V di GB500 e l'altra estremità alla presa femmina da 12V (AUX / accendisigari da 12V). Collegare qualsiasi dispositivo standard da 12V (fino a 15A) con un connettore da 12V e azionare GB500 per alimentare il dispositivo.

Fase 2: Effettuare il collegamento alla batteria.

Leggere attentamente la Guida d'uso del veicolo riguardo a specifiche precauzioni da adottare e metodi consigliati da seguire per un corretto avviamento di emergenza del veicolo. Accertarsi di quali siano la tensione e la composizione chimica esatte della batteria facendo riferimento alla guida d'uso della batteria stessa prima di utilizzare il prodotto. GB500 è predisposto solo per l'avviamento di emergenza di accumulatori al piombo-acido da 12V e 24V. Prima di collegarlo all'accumulatore, controllare quale sia la tensione dell'accumulatore. Accertarsi che la manopola di controllo della tensione si trovi nella corretta posizione (12V o 24V), ossia in linea con l'accumulatore che dovrà essere sottoposto all'avviamento di emergenza. Non cambiare mai la tensione quando l'unità è collegata a una batteria. Modificare la tensione solo quando l'unità è spenta. L'impiego di GB500 non è indicato con nessun altro tipo di accumulatore. Identificare la corretta polarità dei terminali della batteria. Il terminale positivo è generalmente contrassegnato dalle seguenti lettere o simbolo (POS, P, +). Il terminale negativo è invece caratterizzato dalla presenza delle seguenti lettere o simbolo (NEG, N, -). Non collegare al carburatore, ai tubi del carburante o a parti metalliche sottili. Qui di seguito sono elencate le istruzioni da seguire nel caso si abbia un sistema con messa a terra negativa (più diffuso). Se il veicolo ha una messa a terra positiva (awiene molto raramente), seguire le seguenti istruzioni al contrario.

- 1.) Collegare il connettore negativo Boost Max (nero) con la porta negativa di GB500.
- 2.) Collegare il connettore positivo Boost Max (rosso) con la porta positiva di GB500.
- 3.) Pulire sempre i terminali prima di collegare i morsetti. NOTA: Collegamenti difettosi o terminali sporchi possono causare fumo. Le batterie con voltaggio molto basso aumentano la possibilità di fumo.
- 4.) Collegare il connettore positivo Boost Max (rosso) al terminale positivo della batteria (POS, P,+).
- 5.) Collegare il connettore negativo Boost Max (nero) al terminale negativo della batteria (NEG,N,-) o alla scocca del veicolo. (La messa a terra del telaio potrebbe non essere adatta per l'avvio di applicazioni di grandi dimensioni.)
- 6.) Per scollegare le varie parti, procedere nell'ordine opposto, iniziando cioè con la rimozione delle componenti negative (oppure di quelle positive se la messa a terra è positiva).

Fase 3: Avviamento di emergenza.

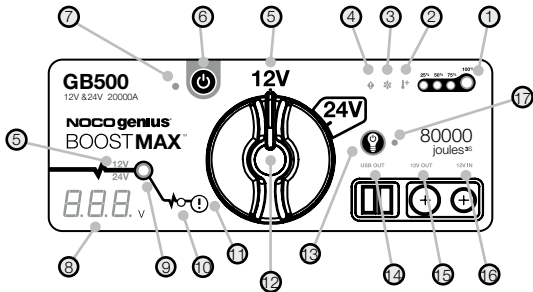
- 1.) Accertarsi che tutti i carichi del veicolo (fari, radio, condizionatore, ecc.) siano spenti prima di effettuare l'avviamento di emergenza. Se il veicolo è equipaggiato con un interruttore principale, girarlo in posizione "on".
- 2.) Premere il pulsante di accensione per iniziare l'avviamento di emergenza. Tutti i LED lampeggiano, indicando il loro corretto funzionamento. Se il collegamento con la batteria è stato effettuato correttamente, il LED bianco di carica Boost si illumina. Se le pinze sono collegate al contrario, si accende invece il LED rosso di errore. Una volta invertiti i collegamenti e corretto l'errore, il LED bianco di carica Boost si accende. L'accensione del LED bianco di carica Boost indica che GB500 è pronto a effettuare l'avviamento di emergenza del veicolo.
- 3.) Provare ad accendere il veicolo. La maggior parte dei veicoli si metterà subito in moto. Alcuni veicoli potrebbero invece dover restare collegati a GB500 fino a 30 secondi prima di azionarsi. Se il veicolo non riparte subito, aspettare per 20 o 30 secondi prima di riprovare. Non effettuare più di cinque (5) tentativi di avviamento di emergenza consecutivi nell'arco di quindici (15) minuti. Lasciare GB500 in pausa per quindici (15) minuti prima di fare un nuovo tentativo.
- 4.) Dopo aver messo in moto il veicolo, scollegare le pinze e rimuovere GB500.

Batterie a bassa tensione e modalità di Manual Override (intervento manuale).

GB500 è progettato per consentire l'avviamento di emergenza di accumulatori al piombo-acido da 12V con tensione ridotta a 2V. Se la tensione della batteria è inferiore a 2V, il LED di carica non si accende. Ciò indica che GB500 non riesce a rilevare la presenza della batteria. Per effettuare l'avviamento di emergenza di accumulatori con tensione inferiore a 2V, occorre utilizzare la modalità di Manual Override (intervento manuale), che consente di attivare manualmente l'avviamento di emergenza.

ATTENZIONE.

UTILIZZARE QUESTA MODALITÀ CON ESTREMA CAUTELA. QUESTA MODALITÀ VA IMPIEGATA SOLO CON ACCUMULATORI AL PIOMBO-ACIDO DA 12-VOLT O 24-VOLT. ACCERTARSI CHE LA MANOPOLA DI CONTROLLO DELLA TENSIONE SI TROVI NELLA CORRETTA POSIZIONE (12V O 24V), OSSIA IN LINEA CON LA TENSIONE DELL'ACCUMULATORE SU CUI SARÀ EFFETTUATO L'AVVIAMENTO DI EMERGENZA. SIA LA TECNOLOGIA ANTISCINTILLA CHE IL SISTEMA DI PROTEZIONE CONTRO LE INVERSIONI DI POLARITÀ SONO DISABILITATI. CONTROLLARE ATTENTAMENTE LA POLARITÀ DELLA BATTERIA PRIMA DI USARE QUESTA MODALITÀ. ACCERTARSI CHE LE PINZE DI COLLEGAMENTO POSITIVE E NEGATIVE NON ENTRINO IN CONTATTO TRA DI LORO E NON VENGANO COLLEGATE L'UNA ALL'ALTRA PERCHÉ COSÌ FACENDO SI CAUSANO SCINTILLE. QUESTA MODALITÀ IMPIEGA ALTI LIVELLI DI CORRENTE (FINO A 20,000 AMPERE) CHE POSSONO SPRIGIONARE SCINTILLE E INTENSO CALORE IN CASO DI SCORRETTO UTILIZZO. SE SI HANNO DUBBI IN MERITO AL CORRETTO USO DI QUESTA MODALITÀ, EVITARE DI FARE TENTATIVI AZZARDATI E RICORRERE ALL'AIUTO PROFESSIONALE DI UN TECNICO.



1. Il livello della batteria interna indica lo stato di carica della batteria interna.

2. La spia LED di surriscaldamento emette una luce rossa costante; l'unità è completamente operativa ma la temperatura sta raggiungendo il limite massimo. Luce rossa lampeggiante; la temperatura dell'unità è troppo elevata per effettuare un avviamento di emergenza, tuttavia le altre funzionalità sono disponibili.

3. La spia LED di raffreddamento emette una luce blu costante; l'unità è completamente operativa ma la temperatura sta raggiungendo il limite minimo.

Luce blu lampeggiante; la temperatura dell'unità è troppo bassa per effettuare un avviamento di emergenza, tuttavia le altre funzionalità sono disponibili.

4. La spia LED di errore si illumina di rosso quando viene rilevata inversione di polarità.

5. L'indicatore di tensione indica la tensione della batteria in base a cui è programmato GB500. La spia 12V emette una luce bianca quando il dispositivo è programmato in modalità 12V, mentre la spia di 24V emette una luce blu quando il dispositivo è programmato su 24V.

6. Premere il pulsante di accensione e spegnimento per accendere e spegnere il dispositivo.

7. La spia LED di alimentazione emette una luce bianca quando l'unità è accesa.

8. Voltmetro. Il voltmetro incorporato rileva la tensione dell'accumulatore del veicolo, migliorando i livelli di diagnostica e risoluzione dei problemi. Il voltmetro rileva automaticamente la tensione di qualsiasi tipo di accumulatore (o sistema di accumulatori) quando le pinze sono collegate, anche se l'unità è spenta. Il voltmetro rileva livelli di tensione compresi tra -3V e -30V. Se l'accumulatore collegato è al di sotto di 3V non viene rilevato. Un livello di tensione così basso potrebbe essere dovuto a un sovraccarico (o sovraccarichi) dell'accumulatore, come ad esempio i fari o la ventola del condizionatore accesi, che dovrebbero essere spenti prima di provare ad avviare il veicolo.

9. La spia LED di carica Boost emette una luce bianca quando la funzione di carica Boost è attiva. Se l'unità è opportunamente collegata a una batteria, GB500 ne rileva automaticamente la presenza ed entra in modalità di carica Boost (quando la funzione di Manual Override è attiva, la spia emette una luce bianca intermittente).

10. La Spia LED di Manual Override emette una luce rossa continua quando questa funzione viene attivata.

11. Pulsante di Manual Override. Per attivare questa funzione occorre tenere premuto il pulsante per tre (3) secondi. ATTENZIONE: Questa funzione disabilita il sistema di protezione di sicurezza e induce manualmente l'attivazione della carica Boost. Da usare solo quando la tensione dell'accumulatore è troppo bassa per essere rilevata.

12. Manopola per il controllo della tensione. Ruotare per selezionare la modalità da 12V o da 24V.

13. Il pulsante per modalità luminose emette luce differente in base a 7 diverse modalità: 100% > 50% > 10% > SOS > Lampeggio > Luce stroboscopica > Spegnimento.




14. La spia LED USB di uscita emette una luce bianca; la funzione di USB in uscita può essere utilizzata sia in modalità 12V che in modalità 24V.

15. La spia LED di uscita da 12V emette una luce bianca; la funzione di uscita da 12V può essere utilizzata solo in modalità 12V.

16. La spia LED di entrata da 12V emette una luce bianca; la funzione di entrata da 12V può essere utilizzata solo in modalità 12V.

17. La spia LED per modalità luminosa emette una luce bianca quando la torcia è accesa ma l'unità è spenta.

Risoluzione problemi

Errore	Causa/Soluzione
 Spia LED di errore: Luce rossa costante Spia LED di errore: Lampeggio singolo (1) Spia LED di errore: Doppio lampeggio (2) Spia LED di errore: Triplo lampeggio (3) Spia LED di errore: Quadruplo lampeggio (4) Spia LED di errore: Quintuplo lampeggio (5)	Rilevazione di inversione di polarità. / Invertire i collegamenti della batteria. Cortocircuito rilevato sulle pinze della batteria. / Rimuovere tutti i carichi e ricollegare le pinze alla batteria. Durata dell'avvio di emergenza superiore a dieci (10) minuti. / Spegnerla e poi riaccenderla. Guasto dell'interruttore interno principale. / Accertarsi che la manopola di controllo della tensione sia posizionata su 12V o 24V in maniera corretta. Rilevata la presenza di una cella difettosa durante la carica. / Spegnerla e contattare il servizio di assistenza NOCO. Errore di sovracorrente in uscita da XGC. / Rimuovere il carico da XGC in uscita, poi spegnere e riaccendere l'unità.
 Spia LED di calore: Costante Spia LED di surriscaldamento: Lampeggio Spia LED di surriscaldamento: Lampeggio iniziale seguito dallo spegnimento di tutte le spie LED	L'unità è completamente operativa ma la temperatura sta raggiungendo il limite massimo. / Far raffreddare il dispositivo. La temperatura del dispositivo è troppo elevata per effettuare un avviamento di emergenza, tuttavia le altre funzionalità sono disponibili. / Far raffreddare il dispositivo. La temperatura del dispositivo è troppo elevata per effettuare avviamenti di emergenza o qualsiasi altra funzione. / Lasciar raffreddare il dispositivo e spostarlo in un ambiente più fresco.
 Spia LED di raffreddamento: Costante Spia LED di raffreddamento: Lampeggio Spia LED di raffreddamento: Lampeggio iniziale seguito dallo spegnimento di tutte le spie LED	L'unità è completamente operativa ma la temperatura sta raggiungendo il limite minimo. / Far riscaldare il dispositivo. La temperatura del dispositivo è troppo bassa per effettuare un avviamento di emergenza, ma le altre funzionalità sono disponibili. / Far riscaldare il dispositivo. La temperatura del dispositivo è troppo bassa per effettuare avviamenti di emergenza o qualsiasi altra funzione. / Consentire al dispositivo di riscaldarsi e spostarlo in un ambiente più caldo.
Nota tecnica	Le batterie agli ioni di litio si autoriscaldano se usate. Se la spia LED di raffreddamento si accende, provare a effettuare più avvis di emergenza per far salire la temperatura della batteria e rimuovere l'errore. In genere 3 o 4 avvis di emergenza sono sufficienti a far riscaldare la batteria e rimuovere l'errore.

Dati Tecnici

IT

Batteria interna:	Ioni di litio (Watt-ora 266)
Corrente nominale di picco:	20,000A
joules3S:	80,000+
Temperatura di funzionamento:	-30°C a +50°C (-22°F a +122°F)
Temperatura di carica:	0°C a +40°C (32°F a +104°F)
Temperatura di conservazione:	-20°C a +50°C (-4°F a +122°F) (temperatura media)
USB (uscita):	Doppio 5V, 2,1A
12V (Input):	12V, 5A
12V (Output):	12V, 15A
Protezione ingresso:	IP65 (con porte chiuse)
Raffreddamento:	Convezione naturale
Dimensioni (L x L x A):	12,25 x 8,25 x 2,25 pollici (311,15 x 209,55 x 57,15 mm)
Peso:	19 libbre (8,6 Kg)

Garanzia

Garanzia limitata di un (1) anno di NOCO Genius.

L'Azienda NOCO ("NOCO") garantisce che questo prodotto ("Prodotto") non presenta difetti o lesioni tanto nei materiali quanto nella lavorazione per un periodo di tempo di un anno a decorrere dalla data di acquisto ("Periodo di garanzia"). Per i difetti segnalati durante il Periodo di garanzia, NOCO provvederà a sua discrezione e previa analisi tecnica di supporto, a riparare o sostituire i prodotti difettosi. Le parti e i prodotti sostitutivi saranno nuovi o comunque in buono stato, equiparabili sia per funzione che per prestazione agli originali e saranno inoltre garantiti fino alla scadenza del Periodo di garanzia iniziale.

LA RESPONSABILITÀ CHE SI ASSUME NOCO È PERTANTO STRETTAMENTE LIMITATA ALLA SOSTITUZIONE O ALLA RIPARAZIONE DEL PRODOTTO. NELLA MISURA MASSIMA CONSENTITA DALLA LEGGE, L'AZIENDA NOCO NON POTRÀ ESSERE RITENUTA RESPONSABILE DA PARTE DI ALCUN ACQUIRENTE DEL PRODOTTO O PARTE TERZA, DI NESSUN TIPO DI DANNO, SIA ESSO SPECIALE, INDIRECTO, CONSEGUENTE

O ESEMPLARE, MI COMPRESI A TITOLO ESEMPLIFICATIVO E NON ESAUSTIVO: MANCATO PROFITTO E DANNI ALLA PROPRIETÀ O ALLA PERSONA CHE POSSANO ESSERE IN QUALCHE MODO COLLEGATI AL PRODOTTO E INDIPENDENTEMENTE DALLA CAUSA, ANCHE SE NOCO FOSSE A CONOSCENZA DELLA POSSIBILITÀ DI TALI DANNI. QUESTE GARANZIE, COME SANCITE NEL PRESENTE DOCUMENTO, SOSTITUISCONO QUALSIASI ALTRO TIPO DI GARANZIA, SIA IMPLICITA CHE ESPLICITA, LEGALE O MENO, INCLUDENDO MA NON LIMITANDO LE GARANZIE COMMERCIALI E PER PARTICOLARI SCOPI O USI, E QUELLE DERIVANTI DA CORSI ED USI COMMERCIALI. QUALORA UNA QUALSIASI LEGGE APPLICABILE SANCISCA GARANZIE, CONDIZIONI E OBBLIGHI CHE NON POSSONO ESSERE ESCLUSI O MODIFICATI, IL PRESENTE PARAGRAFO SARÀ VALIDO NEI LIMITI MASSIMI CONSENTITI DA TALE LEGGE.

La presente Garanzia limitata è valida solo per l'acquirente originale del Prodotto fabbricato da NOCO o per rivenditori o distributori approvati da NOCO e non è assegnabile o trasferibile a nessun'altro. Per rivendicare i propri diritti di garanzia, l'acquirente deve: (1) richiedere e ottenere un numero RMA ("Return Merchandise Authorization") e l'indirizzo delle sede presso cui rispedire la merce ("Sede di reinvio"), inviando una e-mail al servizio di assistenza di NOCO all'indirizzo support@no.co o chiamando il numero 1.800.456.6626. In seguito procedere a (2) rispedire il Prodotto alla Sede di reinvio allegando il numero RMA, la ricevuta di acquisto o una commissione di garanzia (obbligatoria solo in mancanza di ricevuta) pari al 45% del prezzo al dettaglio del prodotto difettoso ("Commissione di garanzia") [il numero RMA include l'importo applicabile della Commissione di garanzia]. NON RISPEDIRE IL PRODOTTO SENZA AVER PRIMA OTTENUTO UN NUMERO RMA DAL SERVIZIO ASSISTENZA DI NOCO. DER ERSTKÄUFER SORGT FÜR DIE VERPACKUNG UND DEN VERSAND DER WARE, UM PRODUKTE IM RAHMEN DER GARANTIELEISTUNG AN DEN RÜCKGABEORT ZU SENDEN, UND MUSS DIESE IM VORAUS BEZAHLEN.

È RESPONSABILITÀ DELL'ACQUIRENTE ORIGINALE DI FARSI CARICO DI TUTTI I COSTI DI IMBALLAGGIO E SPEDIZIONE (CHE DEVONO ESSERE PREPAGATI) PER RISPEDIRE IL PRODOTTO E USUFRUIRE DEL SERVIZIO DI GARANZIA.

NICHT ABGEDECKT DURCH DIESE EINGESCHRÄNKTE GARANTIE SIND: (1) normale Abnutzung; (2) kosmetische Schäden, die die Funktionsfähigkeit nicht beeinträchtigen; oder (3) Produkte, bei denen die NOCO-Seriennummer fehlt, verändert wurde, oder unleserlich gemacht wurde.

IN DEROGA A QUANTO SOPRA ELENCATO, QUESTA GARANZIA LIMITATA NON HA VALORE E NON È APPLICABILE IN CASO DI: (a) uso inappropriato, manipolazione impropria o uso illecito o negligente, rotture o danni accidentali, scorretta conservazione, utilizzo a livelli estremi di tensione, temperatura, urti o vibrazioni che non siano in linea con le raccomandazioni di NOCO per un uso sicuro ed effettivo del prodotto; b) installazione, utilizzo e manutenzione scorretti; c) modifiche apportate in mancanza di espresso consenso scritto di NOCO; d) smontaggio, alterazione o riparazioni non effettuati da NOCO; e) difetti segnalati al termine del Periodo di garanzia.

LA PRESENTE GARANZIA LIMITATA NON COPRE: (1) normale usura; (2) danni estetici che non alterano la funzionalità del prodotto; o (3) prodotti sprovvisti del numero di serie di NOCO o dove il numero di serie è alterato o rovinato.

È possibile registrare i prodotti NOCO online su no.co/register. Per qualsiasi domanda su garanzia o prodotti, contattare il servizio di assistenza di NOCO (indirizzo e-mail e numero qui sopra) o scrivere a: The NOCO Company, 30339 Diamond Parkway, #102, Glenwillow, OH 44139 S.U.A.

NOCO genius[®] BOOSTMAX[™]

GB500



PELIGRO

Guía de usuario y garantía



ASEGÚRESE DE QUE LEE Y ENTIENDE TODA LA INFORMACIÓN DE SEGURIDAD ANTES DE USAR ESTE PRODUCTO. El incumplimiento de estas instrucciones de seguridad podría resultar en **DESCARGA ELÉCTRICA, EXPLOSIÓN o INCENDIO**, que podrían causar **LESIONES GRAVES, MUERTE o DAÑOS MATERIALES.**



Descarga eléctrica. Este producto es un dispositivo eléctrico que puede producir descarga y causar lesiones graves. No corte los cables de alimentación. No lo sumerja en agua ni deje que se moje.



Explosión. Baterías sin supervisar, incompatibles o dañadas pueden explotar si se utilizan con este producto. No lo deje desatendido mientras está en uso. No intente cargar una batería dañada o congelada. Utilice este producto solo con baterías del voltaje recomendado. Úselo solo en áreas bien ventiladas.



Incendio. Este producto es un dispositivo eléctrico que emite calor y puede causar quemaduras. No cubra este producto. No fume ni utilice nada que pueda causar chispas o fuego mientras usa este producto. Manténgalo alejado de materiales combustibles.



Lesión ocular. Use protección ocular cuando utilice este producto. Las baterías pueden explotar y hacer que salgan disparadas pequeñas partículas. El ácido de la batería puede causar irritación en los ojos y la piel. En el caso de contaminación de los ojos o la piel, aclare el área afectada con abundante agua corriente y póngase en contacto inmediatamente con el servicio de control de intoxicación y envenenamiento.



Gases explosivos. Es peligroso trabajar cerca de baterías de ácido-plomo. Las baterías generan gases explosivos durante su funcionamiento normal. Para reducir el riesgo de explosión de la batería, siga todas las instrucciones de seguridad publicadas por el fabricante de la batería y el fabricante de cualquier equipo destinado a ser utilizado cerca de esta. Revise las señales de precaución en estos productos y en el motor.

Español

Para obtener más
información y asistencia
técnica consulte:

www.no.co/support

Advertencias importantes de seguridad

Proposición 65. Los bornes de la batería, terminales y accesorios relacionados contienen sustancias químicas, entre ellas plomo. El estado de California considera que estos materiales provocan cáncer y anomalías congénitas y otros daños al sistema reproductor. **Precaución.** Utilice este producto solo para el propósito para el que fue diseñado. Debería haber una persona lo suficientemente cerca como para oír su voz o acudir en su ayuda en caso de emergencia. Ponga agua limpia y jabón a su alcance por si tuviera que usarlos en caso de contaminación con el ácido de la batería. Use protección ocular completa y ropa protectora cuando trabaje cerca de una batería. Lávese siempre las manos después de manipular baterías y materiales relacionados. No use objetos metálicos cuando trabaje con baterías, incluidas herramientas, relojes o joyas. Si cae metal sobre la batería, pueden saltar chispas o producirse un cortocircuito que podría provocar descarga eléctrica, incendio, explosión y causar lesiones, muerte o daños materiales. **Menores de edad.** Si el Comprador ha adquirido este producto para que lo use un menor de edad, el adulto que lo ha comprado se compromete a proporcionar instrucciones y advertencias detalladas al menor de edad antes de que este lo use. De no hacerlo, la responsabilidad recaerá únicamente sobre el Comprador, que se compromete a indemnizar a NOCO por el uso no intencionado o mal uso por parte de un menor de edad. **Peligro de asfixia.** Los accesorios pueden suponer riesgo de asfixia para niños pequeños. No deje que un niño utilice este producto o cualquier otro accesorio sin la supervisión de un adulto. Este producto no es un juguete. **Manipulación.** Manipule este producto con cuidado. Este producto puede dañarse si recibe golpes. No utilice un producto dañado. Posibles daños incluyen, pero no se limitan a, grietas en el revestimiento o cables dañados. No utilice un producto que tenga un cable de alimentación dañado. La humedad y los líquidos pueden dañar este producto. No utilice este producto ni ningún componente eléctrico cerca de líquidos. Guarde y utilice este producto en un lugar seco. No lo utilice si se moja. Si este producto se moja estando en funcionamiento, desconéctelo de la batería y deje de usarlo inmediatamente. No desconecte este producto de la corriente tirando del cable de alimentación. **Modificaciones.** No intente alterar, modificar ni reparar ninguna de las partes de este producto. Desarmar este producto puede provocar lesiones, muerte o daños materiales. Si este producto se daña, funciona incorrectamente o entra en contacto con líquidos, deje de usarlo y contacte con NOCO. Cualquier modificación a este producto anulará su garantía. **Accesorios.** Este producto solo está aprobado para ser utilizado con accesorios de NOCO. NOCO no se responsabiliza de la seguridad del usuario u otros daños que pudieran producirse al utilizar accesorios no aprobados por NOCO. **Ubicación.** Evite que el ácido de la batería entre en contacto con este producto. No opere este producto en un área cerrada o con escasa ventilación. No coloque una batería encima de este producto. Coloque los cables de manera que se eviten daños accidentales al mover partes del vehículo (incluidos capós y puertas), piezas del motor (incluidas aspas de ventiladores, correas y poleas) o cualquier cosa que pudiera provocar tropiezos y causar lesiones o muerte. **Temperatura de funcionamiento.** Este producto está diseñado para funcionar a temperaturas ambiente de entre -30° C y 50° C. No lo haga funcionar fuera de estos intervalos de temperatura. No cargue una batería congelada. Deje de usar este producto inmediatamente si la batería se calienta demasiado. **Almacenamiento.** No utilice ni guarde este producto en áreas con altas concentraciones de polvo o partículas transportadas por el aire. Almacene este producto en superficies planas y seguras para evitar que se caiga. Guárdelo en un lugar seco. La temperatura de almacenamiento es de entre -20° C y 25° C (temperatura media). Bajo ninguna circunstancia deje que la temperatura supere los 80° C. **Compatibilidad.** Este producto solo es compatible con sistemas de batería de ácido-plomo de 12 voltios y 24 voltios. No intente usarlo con ningún otro tipo de batería. El arranque de baterías con una composición química diferente puede provocar lesiones, muerte o daños materiales. Póngase en contacto con el fabricante de la batería antes de intentar arrancarla. No arranque una batería si no está seguro de cuál es su composición química concreta o su voltaje. **Batería.** La batería de ión de litio (Li-ion) incorporada en este

producto debe ser sustituida solamente por NOCO y debe ser reciclada o tirada aparte de los residuos domésticos. No intente sustituir la batería usted mismo. No manipule una batería Li-ion dañada o que sufra un escape. Nunca tire la batería a los residuos domésticos. Tirar las baterías a la basura doméstica contraviene las leyes y regulaciones medioambientales tanto estatales como federales. Lleve siempre las baterías usadas a su centro de reciclaje más cercano. Si la batería de este producto se calienta demasiado, desprende olor, está deformada, cortada o sufre o demuestra anomalías, deje de usarla inmediatamente y contacte con NOCO.

Carga de la batería. Cargue el producto con el adaptador incluido 12V DC (corriente continua) o el adaptador de corriente 56W XGC. Le advertimos del uso de adaptadores de baja calidad, ya que pueden conllevar riesgos eléctricos graves que pueden causar lesiones o dañar su producto y otra propiedad. Usar cables o cargadores dañados o cargar el producto en condiciones de humedad puede provocar una descarga eléctrica. NOCO no se responsabiliza de la seguridad del usuario cuando este utilice accesorios o componentes no aprobados por NOCO. Los adaptadores de corriente pueden calentarse durante el uso normal, y el contacto prolongado con la piel puede causar lesiones. Permita siempre que haya ventilación adecuada alrededor de los adaptadores de corriente cuando los use. Para garantizar la vida máxima de la batería, evite cargar el producto durante más de una semana cada vez, ya que la sobrecarga puede acortar la vida de la batería. Con el tiempo, un producto que no se usa se descargará y deberá ser recargado antes de usarlo. Desconecte el producto de la fuente de alimentación cuando no lo utilice. Use el producto solo para el fin para el que fue diseñado.

Dispositivos médicos. Este producto puede emitir campos electromagnéticos. Contiene componentes magnéticos que pueden interferir con marcapasos, desfibriladores u otros dispositivos médicos. Estos campos electromagnéticos pueden interferir con marcapasos u otros dispositivos médicos. Consulte con su médico antes de usar este producto si tiene un dispositivo médico, incluidos marcapasos. Si sospecha que este producto está interfiriendo con un dispositivo médico, deje de usarlo inmediatamente y consulte con su médico.

Enfermedades. Si padece cualquier enfermedad que crea que pudiera verse afectada por este producto, consulte con su médico antes de usarlo. Dichas enfermedades incluyen, pero no se limitan a, ataques, desmayos, fatiga visual o dolores de cabeza. El uso de la linterna de alta potencia integrada conlleva un riesgo de sensibilidad a la luz. El uso de la luz en modo estroboscópico puede provocar ataques en personas con epilepsia fotosensible, que puede causar lesión grave o muerte.

Luz. Mirar directamente al haz de luz puede provocar lesión ocular permanente. Este producto está provisto de una bombilla led de alta intensidad que emite una luz potente en el modo de luz más alto.

Limpieza. Apague y desconecte este producto de la corriente antes de limpiarlo o llevar a cabo mantenimiento. Limpie y seque este producto inmediatamente si entra en contacto con líquidos o cualquier otro tipo de contaminante. Utilice un trapo suave sin pelusa (microfibra). Evite que los puertos o aberturas se mojen.

Atmósferas explosivas. Obedezca todas las señales e instrucciones. No cargue ni utilice este producto en áreas con una atmósfera potencialmente explosiva, incluidas áreas de repostar o áreas en las que el aire contiene sustancias químicas o partículas como grano, polvo o polvo metálico.

Actividades de alto riesgo. Este producto no está destinado para ser utilizado en casos en los que su mal funcionamiento pudiera causar la muerte, lesiones o daños medioambientales graves.

Interferencia de radiofrecuencia. Este producto ha sido diseñado, probado y fabricado para cumplir con las normas que regulan las emisiones de radiofrecuencia. Tales emisiones del producto pueden afectar al funcionamiento de otros aparatos electrónicos y hacer que funcionen incorrectamente.

Modelo: GB500. Este dispositivo cumple con el artículo 15 de las normas de la Comisión Federal de Comunicaciones (FCC). La operación está sujeta a las dos condiciones siguientes: (1) Este dispositivo puede que no cause interferencias dañinas y (2) este dispositivo debe aceptar cualquier interferencia recibida, incluidas aquellas que puedan causar un funcionamiento no deseado. NOTA: Este equipo ha sido probado y se ha demostrado que cumple con los límites para un dispositivo digital de clase A, conforme al artículo 15 de las normas de la FCC. Estos límites están diseñados para proporcionar protección razonable contra interferencias dañinas en una instalación comercial. Este equipo genera, utiliza y puede irradiar energía de radiofrecuencia y, si no se instala o utiliza de acuerdo con las instrucciones, puede causar interferencias perjudiciales a las comunicaciones por radio. Puede que este equipo cause interferencias perjudiciales en un área residencial, en cuyo caso es posible que el usuario tenga que corregir la interferencia por su propia cuenta y riesgo.

Instrucciones de uso

Primer paso: **Carga del GB500.**

El GB500 viene parcialmente cargado y es necesario cargarlo completamente antes de usarlo por primera vez. Conecte el GB500 usando adaptador incluido de 12 V o el adaptador de corriente 56W XGC al puerto de entrada de 12 V (12V IN). El GB500 debe estar en el modo 12V para que la carga comience. Asegúrese de que el interruptor de selección del voltaje está en la posición 12V antes de proceder a la carga. El puerto de entrada XGC 12V IN es de 12 V 5 A para garantizar que la carga de la batería interna de litio se hace de forma segura y eficaz. Conforme a las normas de la Comisión Federal de Comunicaciones (FCC), recomendamos no cargar y descargar la unidad al mismo tiempo. El tiempo de recarga del GB500 varía en función del nivel de descarga de la batería y la fuente de energía utilizada. Los resultados reales pueden variar en función de las condiciones de la batería.

Tiempo de recarga: 6-8h

Uso del cable de corriente continua o el adaptador de corriente alterna de 12 V para recargar una unidad completamente descargada. El tiempo de recarga puede variar en función del nivel de descarga.

25% 50% 75% 100%



Al recargar la batería, el nivel de carga de la batería interna viene indicado por los ledes de carga. Los ledes se encenderán y apagarán lentamente y se volverán de color sólido hasta que los cuatro ledes de carga se enciendan. Cuando la batería esté totalmente cargada, el led de carga 100% se volverá verde sólido y los ledes de carga 25%, 50% y 75% se apagarán. De vez en cuando, el led verde de carga 100% se encenderá y apagará, indicando que se está realizando la carga de mantenimiento.

Corriente continua 12 V (60W).

El GB500 debe estar en el modo 12V para que la carga comience. Asegúrese de que el interruptor de selección del voltaje está en la posición 12V antes de proceder a la carga. Conecte el cable de 12 V al puerto de entrada de 12 V en el GB500 y el otro extremo a la toma macho de 12 V. Conecte a una toma auxiliar de 12 V (puerto del encendedor).

Corriente alterna (56W).

El GB500 debe estar en el modo 12V para que la carga comience. Asegúrese de que el interruptor de selección del voltaje está en la posición 12V antes de proceder a la carga. Conecte el cable de 12 V XGC al puerto de entrada de 12 V IN en el GB500 y el otro extremo del adaptador de corriente 56W a la corriente alterna (toma de corriente alterna de 100-240 V).

Carga de dispositivos de 12 V.

El GB500 debe estar en el modo 12V para realizar la carga de dispositivos. Conecte el cable de 12 V al puerto de salida de 12 V en el GB500 y el otro extremo a la toma hembra de 12 V (12V AUX / puerto del encendedor). Conecte cualquier dispositivo estándar de 12 V (hasta 15 A) a la toma de 12 V y encienda el GB500 para comenzar la carga de su dispositivo.

Segundo paso: **Conexión a la batería.**

Lea detenidamente las precauciones específicas del fabricante del vehículo y los métodos de arranque en frío recomendados en el manual de uso del vehículo. Asegúrese de que conoce el voltaje y la composición química de la batería consultando el manual de la batería antes de usar este producto. El GB500 solo es apto para arrancar sistemas de batería de ácido-plomo de 12 voltios y 24 voltios. Antes de conectarlo a la batería, compruebe el

voltaje del sistema de batería. Asegúrese de que el interruptor de selección del voltaje está en la posición correcta (12 V o 24 V) y que corresponde al sistema de batería que se va a arrancar. Nunca cambie el voltaje mientras la unidad este conectada a una batería. Solo cambie el voltaje mientras la unidad este apagada. El GB500 no es apto para ningún otro tipo de batería. Averigüe la polaridad correcta de los terminales en la batería. El polo positivo de la batería está marcado generalmente con estas letras o símbolos: POS, P, +. El polo negativo de la batería está marcado generalmente con estas letras o símbolos: NEG, N, -. No establezca ninguna conexión con el carburador, las mangueras de combustible o placas delgadas de metal. Las siguientes instrucciones son para un sistema de tierra negativo (el más común). Si su vehículo es un sistema de tierra positivo (muy infrecuente), siga las instrucciones en orden inverso.

- 1.) Conecte el conector Boost Max negativo (negro) al puerto negativo del GB500
- 2.) Conecte el conector Boost Max positivo (rojo) al puerto positivo del GB500.
- 3.) Siempre limpie los terminales antes de conectar las abrazaderas. NOTA: Las conexiones defectuosas o los terminales sucios pueden ocasionar humo. Las baterías con un voltaje muy bajo también aumentarán las posibilidades de humo.
- 4.) Conecte el conector Boost Max positivo (rojo) al polo positivo (POS, P, +) de la batería.
- 5.) Conecte el conector Boost Max negativo (negro) HD al polo negativo (NEG, N, -) de la batería o el chasis del vehículo. (La conexión a tierra del chasis puede no ser adecuada para iniciar aplicaciones de gran tamaño).
- 6.) Al desconectar el producto, hágalo en orden inverso, quitando primero el polo negativo (o el positivo primero en los sistemas de tierra positivos).

Tercer paso: Arranque.

- 1.) Asegúrese de que todas las aplicaciones del vehículo que consumen energía (faros, radio, aire acondicionado, etc.) están apagadas antes de proceder al arranque del vehículo. Si el vehículo está equipado con un interruptor maestro, gírelo a la posición de "encendido" (on).
- 2.) Pulse el botón de encendido/apagado para comenzar el arranque en frío. Todos los ledes parpadearán, lo que indica que funcionan correctamente. Si ha realizado la conexión a la batería correctamente, el led blanco de arranque se iluminará. Si los cables de arranque de la batería están conectados al revés, el led rojo de error se iluminará. Invierta las conexiones para solucionar el error; el led blanco de arranque se iluminará. El led blanco de arranque se ilumina cuando el GB500 está listo para arrancar el vehículo.
- 3.) Intente arrancar el vehículo. La mayoría de los vehículos arrancarán inmediatamente. Puede que en algunos vehículos sea necesario que el GB500 esté conectado hasta 30 segundos antes de arrancar. Si el vehículo no arranca en seguida, espere 20-30 segundos e inténtelo otra vez. No intente realizar más de cinco (5) arranques consecutivos en un periodo de quince (15) minutos. Deje que el GB500 descansa quince (15) minutos antes de intentar arrancar el vehículo otra vez.
- 4.) Una vez que haya arrancado el vehículo, desconecte los cables de arranque y retire el GB500.

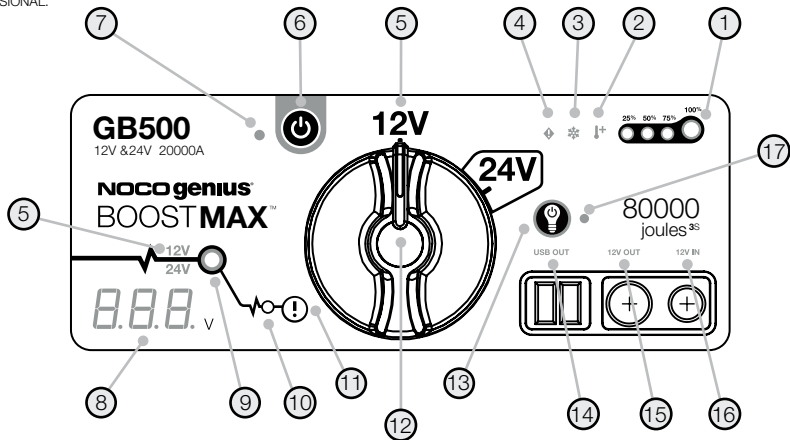
Baterías de bajo voltaje y activación manual.

El GB500 está diseñado para arrancar baterías de ácido-plomo de entre 12 y 2 voltios. Si el voltaje de su batería es inferior a 2 voltios, el led de arranque permanecerá apagado. Esto indica que el GB500 no puede detectar la batería. Si necesita arrancar una batería de menos de 2 voltios, el GB500 tiene una función de activación manual que permite forzar el inicio del arranque.

ADVERTENCIA.




UTILICE ESTE MODO CON MUCHO CUIDADO. ESTE MODO DEBE UTILIZARSE ÚNICAMENTE CON BATERÍAS DE ÁCIDO-PLOMO DE 12 V O 24 V. ASEGÚRESE DE QUE EL INTERRUPTOR DE SELECCIÓN DEL VOLTAJE ESTÁ EN LA POSICIÓN CORRECTA (12 V O 24 V) Y QUE

CORRESPONDE AL SISTEMA DE BATERÍA QUE SE VA A ARRANCAR. LOS MECANISMOS ANTIREFLAGANTES Y DE PROTECCIÓN CONTRA POLARIDAD INVERSA ESTÁN DESACTIVADOS EN ESTE MODO. PRESTE ATENCIÓN A LA POLARIDAD DE LA BATERÍA ANTES DE USAR ESTE MODO. NO DEJE QUE LOS CABLES DE ARRANQUE POSITIVO Y NEGATIVO SE TOQUEN ENTRE SÍ PORQUE EL PRODUCTO GENERARÁ CHISPAS. ESTE MODO UTILIZA CORRIENTE MUY ALTA (DE HASTA 1.000 AMPERIOS) QUE PUEDE CAUSAR CHISPAS Y MUCHO CALOR SI NO SE USA ADECUADAMENTE. SI NO ESTÁ SEGURO DE CÓMO USAR ESTE MODO, NO LO UTILICE Y PÓNGASE EN CONTACTO CON UN PROFESIONAL.



- 1. Nivel de la batería interna** Indica el nivel de carga de la batería interna.
- 2. Led de alta temperatura** El led se vuelve de color rojo sólido; la unidad está operativa pero se acerca al límite de temperatura superior. El led rojo parpadea; la unidad está demasiado caliente para el arranque, pero otras funciones siguen estando disponibles.
- 3. Led de baja temperatura** El led se vuelve de color azul sólido; la unidad está operativa pero se acerca al límite de temperatura inferior.
El led azul parpadea; la unidad está demasiado fría para el arranque, pero otras funciones siguen estando disponibles.
- 4. Led de error** El led se vuelve rojo si se detecta polaridad inversa.
- 5. Indicador de voltaje** Indica el voltaje del sistema de batería en el que se encuentra el GB500. 12V: El led se vuelve blanco cuando está en el modo de 12 V; 24V: El led se vuelve azul cuando está en el modo de 24 V.
- 6. Botón de encendido** Púlselo para apagar y encender la unidad.
- 7. Led de encendido** Se vuelve blanco cuando la unidad está encendida.
- 8. Voltímetro** El voltímetro incorporado lee el voltaje de la batería del vehículo y permite realizar un diagnóstico detallado y localizar averías. El voltímetro lee automáticamente el voltaje de cualquier batería (o del sistema de batería) cuando los cables de arranque de la batería están conectados, incluso si la unidad está apagada. El voltímetro lee voltajes de entre -3 V y -30 V. Si el voltaje de la batería conectada es inferior a 3 V no se mostrará ninguna información. En esta caso, es probable que haya una carga o varias en la batería, como las luces o el aire acondicionado, que deberán apagarse antes de proceder a arrancar el vehículo.
- 9. Led de arranque** Se vuelve blanco cuando el modo de arranque (Boost) está activado. Si la unidad está conectada correctamente a una batería, el GB500 la detectará automáticamente y entrará en modo de arranque (el led parpadeará en blanco cuando el modo de activación manual esté conectado).
- 10. Led de activación manual** El led se vuelve rojo sólido cuando el modo de activación manual está activado.
- 11. Botón de activación manual** Para poner en marcha el modo de activación manual, mantenga pulsado el botón durante tres (3) segundos. **ADVERTENCIA: Desactiva los mecanismos de protección y fuerza el modo de arranque. Debe usarse únicamente cuando el voltaje de la batería es demasiado bajo para que esta pueda detectarse.**
- 12. Interruptor de selección de voltaje** Gire el interruptor para cambiar entre los modos de 12 V y 24 V.
- 13. Botón de modo de luz** Permite seleccionar 7 modos de luz: 100% > 50% > 10% > SOS > parpadeo > estroboscópico > apagado
- 14. Led USB Out** El led se vuelve blanco; la función USB Out se puede utilizar en los modos de 12 V y 24 V.
- 15. Led 12V Out** El led se vuelve blanco; la función 12V Out solo se puede utilizar en el modo de 12 V.
- 16. Led 12V In** El led se vuelve blanco; la función 12V In solo se puede utilizar en el modo de 12 V.
- 17. Led de modo de luz** El led se vuelve blanco cuando la luz está encendida pero la unidad está apagada.

Localización y resolución de averías

Error	Razón/Solución
 Led de error: Rojo sólido	Polaridad inversa detectada. / Invierta las conexiones de la batería.
Led de error: Un solo (1) destello	Se ha detectado un cortocircuito en los cables de arranque de la batería. / Quite todas las cargas, vuelva a conectar los cables a la batería.
Led de error: Dos (2) destellos	El periodo de arranque es superior a diez (10) minutos. / Apague la unidad y vuelva a encenderla.
Led de error: Tres (3) destellos	Fallo del interruptor general interno. / Asegúrese de que el interruptor de selección del voltaje está correctamente situado en la posición 12V o 24V.
Led de error: Cuatro (4) destellos	Célula de batería nociva detectada durante la carga. / Apague la unidad y póngase en contacto con el departamento de soporte técnico de NOCO.
Led de error: Cinco (5) destellos	Error de sobrecarga del XGC OUT. / Quite la carga del XGC OUT y a continuación apague la unidad y vuelva a encenderla.
 Led de alta temperatura: Led sólido	La unidad está operativa pero se acerca al límite de temperatura superior. / Deje que la unidad se enfríe.
Led de alta temperatura: Intermitente	La unidad está demasiado caliente para el arranque, pero otras funciones siguen estando disponibles. / Deje que la unidad se enfríe.
Led de alta temperatura: Parpadea y después todos los ledes se apagan	La unidad está demasiado caliente para realizar el arranque o utilizar otras funciones. / Deje que la unidad se enfríe y llévela a un lugar más fresco.
 Led de baja temperatura: Led sólido	La unidad está operativa pero se acerca al límite de temperatura inferior. / Deje que la unidad se caliente.
Led de baja temperatura: Intermitente	La unidad está demasiado fría para el arranque, pero otras funciones siguen estando disponibles. / Deje que la unidad se caliente.
Led de baja temperatura: Parpadea y después todos los ledes se apagan	La unidad está demasiado fría para realizar el arranque o utilizar otras funciones. / Deje que la unidad se caliente y llévela a un lugar más cálido.
Nota técnica	Las baterías de ión de litio se calientan con el uso. Si el led de error de baja temperatura se enciende, intente hacer varios arranques para calentar la batería y solucionar el error. Normalmente 3-4 arranques son suficientes para calentar la batería y solucionar el error.

Especificaciones técnicas

ES

Batería interna: Ión de litio (Vatio-hora 266)

Corriente máxima: 20,000A

Julios 3S: 80,000+

Temperatura de funcionamiento: -30°C a +50°C (-22°F a +122°F)

Temperatura de carga: 0°C a +40°C (32°F a +104°F)

Temperatura de almacenamiento: -20°C a +50°C (-4°F a +122°F) (Temperatura media)

USB (salida): Doble 5V, 2,1A

12V (Input): 12V, 5A

12V (Output): 12V, 15A

Protección de la cubierta: IP65 (con puertos cerrados)

Enfriamiento: Convección natural

Dimensiones (largo x ancho x alto): 12,25 x 8,25 x 2,25 Pulgadas (311,15 x 209,55 x 57,15 mm)

Peso: 19 libras (8,6 kg)

Garantía

Garantía limitada de un (1) año de NOCO Genius

The NOCO Company ("NOCO") garantiza que este producto (el "Producto") está libre de defectos de materiales y mano de obra por un periodo de un (1) año desde la fecha de compra (el "Periodo de garantía"). En el caso de los defectos que se comuniquen durante el Periodo de garantía, NOCO, según su criterio y en función del análisis del departamento de soporte técnico de NOCO, reparará o sustituirá los Productos defectuosos. Las piezas y los productos de recambio serán nuevos o reacondicionados, y su función y rendimiento serán comparable a los de la pieza original y estarán garantizados durante el resto del Periodo de garantía original.

LA RESPONSABILIDAD DE NOCO BAJO ESTA GARANTÍA LIMITADA SE CIRCUNSCRIBE EXPRESAMENTE A REEMPLAZO O REPARACIÓN. HASTA DONDE LO PERMITA LA LEY, NOCO NO SE RESPONSABILIZARÁ, NI ANTE CUALQUIER COMPRADOR DEL PRODUCTO NI ANTE TERCERAS

PARTES, DE GASTOS, DAÑOS O PÉRDIDAS DE NINGUNA CLASE, YA SEAN ESTOS IMPREVISTOS, INDIRECTOS O ESPECIALES, INCLUYENDO, SIN LIMITACIÓN, LA PÉRDIDA DE BENEFICIOS, DAÑOS A LA PROPIEDAD O LESIONES PERSONALES, COMOQUIERA QUE HAYAN SIDO CAUSADOS, INCLUSO SI NOCO TUVIERA CONOCIMIENTO DE LA POSIBILIDAD DE DICHOS DAÑOS. LA GARANTÍA LIMITADA AQUÍ ESTABLECIDA SUSTITUYE Y EXCLUYE AL RESTO DE GARANTÍAS QUE NO SE MENCIONEN EN ESTE DOCUMENTO, YA SEA DE FORMA EXPRESA O IMPLÍCITA POR LEY O POR OTROS MEDIOS, INCLUYENDO CUALQUIER GARANTÍA IMPLÍCITA DE COMERCIABILIDAD O IDONEIDAD PARA UN PROPÓSITO PARTICULAR PERO SIN LIMITARSE A ELLA, Y AQUELLAS QUE SURJAN DE LAS ACTIVIDADES DE VENTA, USO O COMERCIO. EN EL CASO DE QUE CUALQUIER LEY APLICABLE IMPONGA GARANTÍAS, CONDICIONES U OBLIGACIONES QUE NO PUEDEN SER EXCLUIDAS O MODIFICADAS, ESTE PÁRRAFO SE APLICARÁ HASTA DONDE LO PERMITA LA LEY.

Esta garantía limitada se hace únicamente para beneficio del comprador original del Producto de NOCO o un vendedor o distribuidor autorizado por NOCO y no se extiende ni puede transferirse a ninguna otra persona o entidad. Para validar una reclamación de garantía, el comprador debe: (1) solicitar y obtener un número de autorización de devolución de mercancía (RMA) e información sobre el lugar de devolución ("Lugar de devolución") del departamento de soporte técnico de NOCO escribiendo a support@no.co o llamando al 1.800.456.6626; y (2) enviar el producto, junto con el número de autorización de devolución de mercancía, la prueba de compra o una tarifa de garantía (solo será necesario abonar una tarifa si no se dispone del recibo de compra) del 45% del precio de venta al público recomendado (la "Tarifa de garantía") [El número de autorización de devolución de mercancía incluirá el importe de la tarifa de garantía aplicable] al Lugar de devolución. NO ENVÍE EL PRODUCTO SIN OBTENER PRIMERO UN NÚMERO DE AUTORIZACIÓN DE DEVOLUCIÓN DE MERCANCÍA DEL DEPARTAMENTO DE SOPORTE TÉCNICO DE NOCO.

EL COMPRADOR SE RESPONSABILIZA (Y DEBE ABONAR POR ADELANTADO) TODOS LOS GASTOS DE EMBALAJE Y TRANSPORTE PARA HACER USO DEL SERVICIO DE GARANTÍA.

A PESAR DE LO ANTERIOR, ESTA GARANTÍA LIMITADA QUEDARÁ ANULADA Y NO CUBRE PRODUCTOS QUE: (a) se han usado indebidamente, manipulado de forma imprudente, almacenado indebidamente, o expuesto a accidente o condiciones de temperatura o voltaje extremas, golpes o vibración sin acatar las recomendaciones de NOCO para su uso seguro y eficaz; (b) se han instalado, operado o mantenido indebidamente; (c) se han modificado sin el consentimiento expreso por escrito de NOCO; (d) se han desmontado, alterado o reparado por cualquier persona ajena a NOCO; (e) cuyos defectos se han comunicado después del Periodo de garantía.

ESTA GARANTÍA LIMITADA NO CUBRE: (1) desgaste normal por uso; (2) daños cosméticos que no afectan al funcionamiento; o (3) productos en los que falta el número de serie de NOCO o este ha sido alterado o desfigurado.

Puede registrar su producto NOCO en línea en: no.co/register. Si tiene alguna pregunta acerca de la garantía o el producto, póngase en contacto con el departamento de soporte técnico de NOCO (en el correo electrónico y número de teléfono que aparecen anteriormente) o escribir a: The NOCO Company, 30339 Diamond Parkway, #102, Glenwillow, OH 44139 USA.

NOCO 
genius BOOSTMAX™

GB500



PERIGO

Guia do Usuário e Garantia



LEIA E COMPREENDA COMPLETAMENTE AS INFORMAÇÕES DE SEGURANÇA ANTES DE USAR ESTE PRODUTO. A falha em obedecer estas instruções de segurança pode resultar em CHOQUE ELÉTRICO, EXPLOSÃO E INCÊNDIO, o que pode provocar em LESÕES GRAVES, MORTE ou DANOS À PROPRIEDADE.



Choque Elétrico. O produto é um dispositivo elétrico que pode causar choques e ferimentos graves. Não corte os cabos de alimentação. Não mergulhe em água nem molhe o produto.



Explosão. As baterias não monitoradas, incompatíveis ou danificadas podem explodir se usadas com o produto. Não deixe o produto sem vigilância enquanto estiver em uso. Não tente dar partida auxiliada numa bateria danificada ou congelada. Use o produto apenas com baterias da tensão recomendada. Opere o produto em áreas bem ventiladas.



Incêndio. O produto é um dispositivo elétrico que emite calor e é capaz de causar queimaduras. Não cubra o produto. Não fume ou use qualquer fonte de faísca elétrica ou de fogo enquanto estiver operando o produto. Mantenha o produto afastado de materiais combustíveis.



Lesões Oculares. Use proteção para os olhos ao operar o produto. As baterias podem explodir e lançar detritos. O ácido da bateria pode causar irritação nos olhos e na pele. Em caso de contaminação dos olhos ou da pele, lave a área afetada com água corrente e entre em contato com o centro de controle de envenenamento imediatamente.



Gases Explosivos. Trabalhar perto de uma bateria de chumbo-ácido é perigoso. As baterias geram gases explosivos durante a sua operação normal. Para reduzir o risco de explosão da bateria, siga todas as instruções de segurança e as informações publicadas pela fabricante da bateria e pela fabricante de qualquer equipamento destinado ao uso nas proximidades da bateria. Leia atentamente as precauções nesses produtos e no motor.

Português

Para obter mais
informações e suporte,
acesse:

www.no.co/support

Avisos de Segurança Importantes

Proposição 65. Os polos, terminais e acessórios relacionados da bateria contêm produtos químicos, incluindo chumbo. Esses materiais são reconhecidos pelo estado da Califórnia como causadores de câncer e defeitos congênitos, bem como outros danos reprodutivos. **Precauções pessoais.** Use o produto apenas para o fim pretendido. Alguém deve estar ao alcance da sua voz ou perto o suficiente para ajudar em caso de emergência. Tenha a água limpa e sabão nas proximidades no caso de contaminação pelo ácido da bateria. Use proteção completa para os olhos e roupas de proteção enquanto estiver trabalhando perto de uma bateria. Sempre lave as mãos depois de manusear baterias e materiais relacionados. Não manuseie nem use objetos metálicos enquanto estiver trabalhando com baterias, incluindo; ferramentas, relógios e joias. Se o metal cair na bateria, pode provocar uma faísca ou criar um curto-circuito, resultando em choque elétrico, incêndio ou explosão que pode resultar em ferimentos, morte ou danos à propriedade. **Menores de idade.** Se o "Comprador" pretende que o produto seja utilizado por um menor, o adulto comprador concorda em fornecer instruções detalhadas e avisos para o menor antes do uso. A falha em fazer isso é da exclusiva responsabilidade do "Comprador", que concorda em indenizar a NOCO por qualquer uso acidental ou indevido por um menor. **Risco de asfixia.** Os acessórios podem apresentar risco de asfixia para crianças. Não deixe crianças desacompanhadas com o produto ou qualquer acessório. O produto não é brinquedo. **Manuseio.** Manuseie o produto com cuidado. Em caso de impacto o produto pode ser danificado. Não use um produto danificado, incluindo, mas não se limitando a rachaduras na superfície ou cabos danificados. Não use o produto com um cabo de alimentação danificado. A umidade e os líquidos podem danificar o produto. Não manipule produtos ou componentes elétricos perto de qualquer líquido. Armazene e opere o produto em locais secos. Não opere o produto se estiver molhado. Se o produto já estiver funcionando e ficar molhado, desconecte-o da bateria e interrompa o uso imediatamente. Não desligue o produto puxando os cabos. **Modificações.** Não tente alterar, modificar ou consertar qualquer parte do produto. Desmontar o produto pode causar lesões, morte ou danos à propriedade. Se o produto for danificado, apresentar avarias ou entrar em contato com qualquer líquido, interrompa o uso e entre em contato com a NOCO. Qualquer modificação no produto anulará sua garantia. **Acessórios.** Este produto só tem aprovação para o uso com acessórios da NOCO. A NOCO não é responsável pela segurança ou por danos do usuário quando este usar acessórios não aprovados pela NOCO. **Localização.** Evite que o ácido da bateria entre em contato com o produto. Não opere o produto em uma área fechada ou numa área com ventilação restrita. Não coloque a bateria encima do produto. Posicione os cabos de modo a evitar danos acidentais, movendo as peças do veículo (incluindo capôs e portas), movendo as peças do motor (incluindo as lâminas do ventilador, correias e polias), ou o que possa trazer perigo de lesões ou morte. **Temperatura operacional.** Este produto é projetado para funcionar em temperatura ambiente entre -30° C a 50° C. Não opere fora desta amplitude de temperatura. Não faça a partida auxiliada de uma bateria congelada. Interrompa o uso do produto imediatamente se a bateria ficar excessivamente quente. **Armazenamento.** Não use nem armazene o produto em áreas com altas concentrações de poeira ou de partículas aéreas. Armazene o seu produto em superfícies planas e seguras de modo que não esteja propenso a quedas. Armazene o produto em um local seco. A temperatura de armazenamento é de -20° C a 25° C (temperatura média). Nunca exceda 80° C sob nenhuma circunstância. **Compatibilidade.** O produto é compatível apenas com sistemas de bateria de chumbo-ácido de 12 e 24 volts. Não tente usar o produto com nenhum outro tipo de bateria. Fazer a partida auxiliada de baterias de outras substâncias químicas pode resultar em ferimentos, morte ou danos à propriedade. Entre em contato com a fabricante da bateria antes de tentar a partida auxiliada. Não faça a partida auxiliada da bateria se não tiver certeza de suas substâncias químicas

ou de sua tensão específica. **A Bateria.** A bateria de íons de lítio integrada ao produto deve ser substituída apenas pela NOCO e deve ser reciclada ou descartada separadamente do lixo doméstico. Não tente substituir a bateria sozinho e não manuseie uma bateria de íons de lítio danificada ou com vazamento. Nunca descarte a bateria no lixo doméstico. A eliminação de baterias no lixo doméstico é ilegal de acordo com as leis e regulamentos ambientais estaduais e federais. Sempre leve as baterias usadas ao seu centro local de reciclagem de baterias. Se a bateria do produto estiver excessivamente quente, emitindo um odor, deformada, cortada ou demonstrando um funcionamento, pare imediatamente o uso e entre em contato com a NOCO. **Recarga da Bateria.** Recarregue o produto com o adaptador de 12 V de corrente direta (DC) ou com o adaptador de 56 W XGC. Tenha cuidado com o uso de adaptadores de energia de baixa qualidade, pois podem apresentar um risco elétrico grave que pode resultar em ferimentos pessoais, danos ao dispositivo e à propriedade. Usar cabos ou carregadores danificados, ou recarregar na presença de umidade, pode resultar em choques elétricos. A NOCO não se responsabiliza pela segurança do usuário quando este usar acessórios ou materiais não aprovados pela NOCO. Os adaptadores de energia podem se aquecer durante o uso normal, e o contato prolongado com a pele pode provocar lesões corporais. Sempre permita uma ventilação adequada ao torno de adaptadores de energia ao usá-los. Para garantir a vida útil máxima da bateria, evite recarregar o produto mais de uma semana por vez, uma vez que isso pode reduzir a vida útil da bateria. Com o tempo, o produto não utilizado se descarrega e deve ser recarregado antes do uso. Desconecte o produto das fontes de energia quando não estiver em uso. Use o produto apenas para os fins pretendidos. **Dispositivos Médicos.** O produto pode emitir campos eletromagnéticos. O produto contém componentes magnéticos que podem interferir em marca-passos, desfibriladores ou outros dispositivos médicos. Esses campos eletromagnéticos causar interferência em marca-passos ou em outros dispositivos médicos. Consulte o seu médico antes de usar se você tiver algum dispositivo médico, incluindo marca-passos. Se você suspeita que o produto está interferindo em um dispositivo médico, pare de usar o produto imediatamente e consulte seu médico. **Condições Médicas.** Se você tem alguma condição médica que acredita que pode ser afetada pelo produto, incluindo, mas não se limitando a convulsões, apagões, fadiga ocular ou dores de cabeça, consulte seu médico antes do uso do produto. O uso de uma lanterna de alta potência integrada oferece risco para pessoas com sensibilidade à luz. O uso da luz no modo estroboscópico pode causar convulsões em pessoas com epilepsia fotossensível, o que pode resultar em ferimentos graves ou mesmo em morte. **Luz.** Olhar diretamente para a lanterna pode resultar em lesões oculares permanentes. O produto está equipado com uma lâmpada pré-focada de LED de alto desempenho que emite um feixe poderoso na configuração mais alta. **Limpeza.** Desligue o produto antes de qualquer manutenção ou limpeza. Limpe e seque o produto imediatamente se entrar em contato com líquidos ou qualquer tipo de contaminante. Use um pano macio e sem fiapos (microfibra). Evite a umidade nas aberturas. **Atmosferas Explosivas.** Obedeça todos os sinais e instruções. Não opere o produto em qualquer área com uma atmosfera potencialmente explosiva, incluindo áreas de abastecimento de combustíveis ou áreas que contenham produtos químicos ou partículas como grãos, poeiras ou pós metálicos. **Atividades com Enormes Consequências.** Este produto não se destina ao uso onde a falha do produto possa levar a lesões, mortes ou danos ambientais graves. **Interferência de Radiofrequência.** O produto foi projetado, testado e fabricado de acordo com as normas que regulam as emissões de radiofrequência. Tais emissões do produto podem afetar negativamente a operação de outros equipamentos eletrônicos, fazendo com que eles funcionem mal. **Número do modelo: GB500** Este dispositivo cumpre com a Parte 15 das Regras da FCC (Federal Communications Commission). Sua operação está sujeita às duas condições seguintes: (1) este dispositivo não deve causar interferência prejudicial e (2) este dispositivo deve aceitar qualquer interferência recebida, inclusive interferências que possam resultar em mau funcionamento. OBS.: Este equipamento foi testado e está em conformidade com os limites para um dispositivo digital de Classe A, de acordo com a Parte 15 das Regras da FCC. Esses limites são projetados para fornecer proteção razoável contra interferências prejudiciais quando o equipamento é operado em um

ambiente comercial. Este equipamento gera, usa e pode irradiar energia de radiofrequência e, se não for instalado e usado de acordo com o manual de instruções, pode causar interferência prejudicial às comunicações de rádio. A operação deste equipamento em uma área residencial provavelmente causará interferência prejudicial, caso em que o usuário será obrigado a corrigir a interferência às suas próprias custas.

Como usar

Etapa 1: Recarregue o GB500.

O GB500 vem parcialmente carregado e precisa ser totalmente carregado antes do uso. Conecte o GB500 usando o adaptador de 12 V ou o de 56W XGC na porta de entrada de 12 V. O GB500 deve estar no modo de 12 V para ser recarregado. Assegure que o botão seletor esteja na posição de 12 V antes de recarregar. A porta de entrada XGC de 12 V tem a tensão nominal de 12 V, 5 A para garantir a recarga segura e eficiente da bateria de lítio interna. Devido aos regulamentos da FCC, recomendamos não recarregar e descarregar a unidade ao mesmo tempo. O tempo para recarregar um GB500 será diferente com base no nível de descarregamento e na fonte de energia utilizada. Os resultados podem variar conforme as condições da bateria.

25% 50% 75% 100%



Ao recarregar, o nível de carga da bateria interna é indicado pelos LEDs de recarga. Os LEDs pulsam lentamente e se tornam constantes na cor até que os quatro LEDs de recarga estejam acesos. Quando a bateria estiver totalmente recarregada, o LED verde 100% ficará constante e os LEDs de recarga de 25%, 50% e 75% "desligam". De vez em quando, o LED verde de 100% pulsará indicando que a recarga de manutenção está ocorrendo.

Recarga de 12 V DC (corrente direta) (60 W).

O GB500 deve estar no modo de 12 V para ser recarregado. Assegure que o botão seletor esteja na posição de 12 V antes de recarregar. Conecte o cabo de 12 V na porta de entrada de 12 V no GB500 e a outra extremidade no plugue macho de 12 V. Conecte a uma tomada de 12 V (acendedor de cigarros).

Recarga de CA (corrente alternada) (56 W).

O GB500 deve estar no modo de 12 V para ser recarregado. Assegure que o botão seletor esteja na posição de 12 V antes de recarregar. Conecte o cabo de 12 V XGC na porta de entrada do GB500 e a outra extremidade do adaptador de energia de 56 W na tomada de corrente alternada (tomada de parede de (100 a 240 VCA).

Recarregando dispositivos de 12 V.

O GB500 deve estar no modo de 12 V para permitir a saída de 12 V. Conecte o cabo de 12 V à porta de saída de 12 V do GB500 e a outra extremidade na tomada de 12 V (12 V AUX/acendedor de cigarros). Conecte qualquer dispositivo padrão de 12 V (até 15 A) com um plugue de 12 V e ligue o GB500 para começar a fornecer energia para o seu dispositivo.

Tempo de recarga: 6h a 8h

Usando um cabo de 12 V de corrente direta ou um adaptador de energia de corrente alternada para recarregar uma unidade sem carga alguma. O tempo de recarga varia conforme o nível da bateria.

Etapa 2: Conecte à bateria.

Leia atentamente e compreenda o manual do proprietário do veículo sobre as precauções específicas e métodos recomendados para dar partida auxiliada no veículo. Certifique-se de determinar a tensão e a química da bateria, consultando o manual do proprietário da bateria antes de usar este produto. O GB500 oferece partida auxiliada para baterias de chumbo-ácido de 12 e 24 volts apenas. Antes de fazer a conexão à bateria, confira a tensão do sistema de bateria. Verifique se o botão seletor de tensão está na posição correta (12 V ou 24 V) conforme a tensão do sistema de bateria, antes de fazer a partida auxiliada. Nunca altere a voltagem enquanto o aparelho estiver conectado a uma bateria. Altere a voltagem apenas enquanto o aparelho estiver desligado. O GB500 não é adequado para outros tipos de bateria. Identifique a polaridade correta dos terminais na bateria. O terminal positivo da bateria normalmente é marcado por estas letras ou símbolo (POS, P, +). O terminal negativo da bateria normalmente é marcado por estas letras ou símbolo (NEG, N, -). Não faça conexões com o carburador, linhas de combustível ou peças finas de chapa metálica. As instruções abaixo são para um sistema de terra negativo (o mais comum). Se o seu veículo tiver um sistema de terra positivo (muito incomum), siga as instruções abaixo na ordem inversa.

- 1.) Conecte o conector Boost Max negativo (preto) à porta negativa no GB500.
- 2.) Coloque o conector Boost Max positivo (vermelho) na porta positiva do GB500.
- 3.) Coloque o conector Boost Max positivo (vermelho) no terminal positivo (POS,P,+) da bateria.
- 4.) Sempre limpe os terminais antes de conectar os cabos com garras. NOTA: Conexões defeituosas ou terminais sujos podem causar fumaça. Baterias com voltagem muito baixa também aumentarão a chance de fumaça.
- 5.) Conecte o conector Boost Max negativo (preto) no terminal negativo (NEG,N,-) da bateria ou chassi do carro. (Fazer o aterramento no chassi pode não ser adequado para dar partida auxiliar em grandes aplicações.)
- 6.) Ao desconectar, faça a desconexão na sequência inversa, removendo o negativo primeiro (ou o positivo primeiro para sistemas de terra positivo).

Etapa 3: Partida auxiliada.

- 1.) Certifique-se de todas as cargas de energia do veículo (faróis, rádio, ar-condicionado, etc.) estejam desligadas antes de tentar a partida auxiliada do veículo. Se o veículo estiver equipado com uma Chave Geral, coloque-a na posição "on" (ligado).
- 2.) Pressione o botão Power (ligar/desligar) para iniciar a partida auxiliada. Todos os LEDs piscarão, indicando que todos os LEDs estão funcionando corretamente. Se estiver corretamente conectado à bateria, o LED de Boost branco acenderá. Se as pinças da bateria estiverem conectados no sentido inverso, o LED de erro vermelho acenderá. Inverta as conexões para corrigir esse erro e então o LED de Boost branco acenderá. O LED de Boost branco se ilumina, quando o GB500 está pronto para fazer a partida auxiliada do veículo.
- 3.) Tente dar partida no veículo. Na maioria dos veículos a partida ocorre de imediato. Alguns veículos podem exigir que o GB500 seja conectado por até 30 segundos antes da partida. Se o veículo não arrancar imediatamente, espere de 20 a 30 segundos e tente novamente. Não tente mais do que cinco (5) partidas auxiliadas consecutivas dentro de um período de quinze (15) minutos. Deixe o GB500 descansar por quinze (15) minutos antes de tentar dar a partida auxiliada no veículo novamente.
- 4.) Depois de dar partida em seu veículo, desconecte as pinças da bateria e remova o GB500.

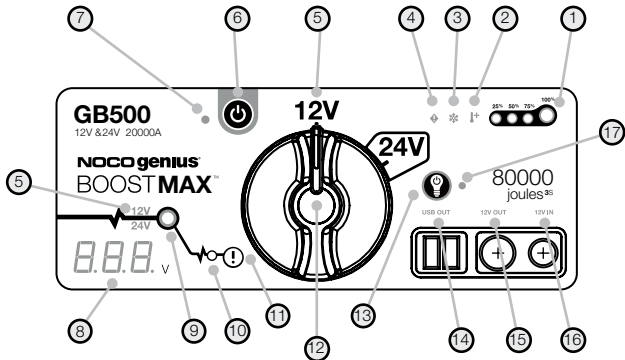
Baterias de Baixa Tensão e Acionamento Manual.

O GB500 é projetado para fazer a partida auxiliada de baterias de chumbo-ácido de 2 a 12 volts. Se a bateria estiver abaixo de 2 volts, o LED do

Boost estará "desligado". Isto indica que o GB500 não pôde detectar uma bateria. Se você precisa fazer a partida auxiliada de uma bateria abaixo de 2 volts, há um recurso de acionamento manual, que permite que você force a "ativação" da função de partida auxiliada.




PRECAUÇÃO.

USE ESTE MODO COM EXTREMO CUIDADO. ESTE MODO É PARA BATERIAS DE CHUMBO-ÁCIDO DE 12 E 24 VOLTS APENAS. VERIFIQUE SE O BOTÃO SELETOR DE TENSÃO ESTÁ NA POSIÇÃO CORRETA (12 V OU 24 V) CONFORME A TENSÃO DO SISTEMA DE BATERIA, ANTES DE FAZER A PARTIDA AUXILIADA. PRESTE MUITA ATENÇÃO À POLARIDADE DA BATERIA ANTES DE USAR ESTE MODO. NÃO PERMITA QUE AS PINÇAS POSITIVA E NEGATIVA DA BATERIA SE TOQUEM OU SE CONECTEM UMA A OUTRA POIS O PRODUTO PRODUIRÁ FAÍSCAS. ESTE MODO USA CORRENTE MUITO ELEVADA (ATÉ 20,000 AMPERES), O QUE PODE CAUSAR FAÍSCAS E ALTO CALOR SE NÃO FOR USADO CORRETAMENTE. SE VOCÊ NÃO SE SENTIR SEGURO COM O USO DÊSTE MODO, NÃO TENDE E PROCURE A AJUDA DE UM PROFISSIONAL.



- 1 . **Nível da bateria interna** Indica o nível de carga da bateria interna.
- 2 . **LED quente** se acende em vermelho; a unidade está funcionando plenamente, mas está alcançando a temperatura limite. Piscando em vermelho; a unidade está muito quente para a partida auxiliada, mas outras funções ainda estão disponíveis.
- 3 . **LED frio** acende em azul; a unidade está funcionando normalmente, mas está alcançando a temperatura abaixo do limite. Piscando em azul; a unidade está muito fria para a partida auxiliada, mas outras funções ainda estão disponíveis.
- 4 . **LED de erro** acende em vermelho, se for detectada inversão de polaridade.
- 5 . **Indicador de tensão** Indica a tensão do sistema de bateria para o qual o GB500 está configurado. 12 V se acende em branco quando no modo de 12 V, 24 V se acende em azul quando no modo de 24 V.
- 6 . **Botão "Power"** Pressione para "ligar e "desligar" a unidade.
- 7 . **LED "Power"** acende em branco quando a unidade está "ligada".
- 8 . **Voltímetro** O voltímetro integrado lê a tensão da bateria do veículo para diagnósticos aprimorados e solução de problemas. O voltímetro lê automaticamente a tensão de qualquer bateria (ou sistema de bateria) quando as pinças da bateria estiverem conectadas, mesmo que a unidade esteja desligada. O voltímetro lerá tensões entre -3 V e -30 V. Se a bateria conectada estiver abaixo de 3 V, nada será exibido. Nessa situação, provavelmente haverá itens consumindo a bateria, como faróis ou ventilador de ar-condicionado, que devem ser desligados antes de tentar dar a partida no veículo.
- 9 . **LED Boost** acende em branco quando o modo Boost (elevação de tensão) está ativo. Se a unidade estiver conectada corretamente a uma bateria, o GB500 detectará automaticamente uma bateria e entrará no modo Boost (o LED branco pisca quando o recurso de acionamento manual está ativo).
- 10 . **O LED** de acionamento manual se acende em vermelho quando o modo de acionamento manual é ativado.
- 11 . **Botão Manual Override (acionamento manual)** para ativar pressione e segure por três (3) segundos. **ADVERTÊNCIA: Desativa a proteção de segurança e força manualmente a ativação do modo Boost. Somente usar quando a bateria está com a carga muito baixa para ser detectada.**
- 12 . **Botão seletor de tensão** Gire para alternar entre o modo de 12 V e 24 V.
- 13 . **Botão de modo de iluminação** Alterna a luz de trabalho entre 7 modos de iluminação: 100% > 50% > 10% > SOS > Pisca > Iluminação estroboscópica > Desligado.
- 14 . **LED de saída USB** se acende em branco; a função de saída USB pode ser usada nos modo 12 V e 24 V.
- 15 . **LED de saída de 12 V** se acende em branco; a função de saída de 12 V só pode ser usada no modo de 12 V.
- 16 . **LED de entrada de 12 V** se acende em branco; a função de entrada de 12 V só pode ser usada no modo de 12 V.
- 17 . **LED de modo de luz** acende em branco quando a luz de trabalho está "ligada", mas a unidade está desligada.

Solução de problemas

Erro	Razão / Solução
 LED de erro: vermelho	Inversão de polaridade detectada. / Inverta as conexões da bateria.
LED de erro: Uma (1) piscada	Curto-circuito detectado nas pinças da bateria. / Remova todos os itens conectados à bateria, reconecte as pinças da bateria.
LED de erro: duas (2) piscadas	Tempo para partida auxiliada maior do que dez (10) minutos. / Desligue e religue a unidade.
LED de erro: três (3) piscadas	Falha na chave mestre interna. / Assegure que o botão seletor de tensão esteja posicionado corretamente em 12 V ou 24 V.
LED de erro: quatro (4) piscadas	Célula de bateria avariada detectada durante a recarga. / Desligue a unidade e entre em contato com a equipe de suporte da NOCO.
LED de erro: pisca cinco (5) vezes	Erro de sobrecorrente de saída de XGC. / Remova a carga da saída do XGC, depois desligue e religue a unidade.
 LED quente: aceso	A unidade está funcionando normalmente, mas está alcançando a temperatura limite. / Espere a unidade esfriar.
LED quente: piscando	A unidade está muito quente para a partida auxiliada, mas outras funções ainda estão disponíveis. / Espere a unidade esfriar.
LED quente: pisca e então todos os LEDs são desligados	A unidade está muito quente para a partida auxiliada ou para usar outras funções. / Espere a unidade esfriar e a leve para um ambiente mais fresco.
 LED frio: aceso	A unidade está funcionando plenamente, mas está alcançando a temperatura abaixo do limite. / Espere a unidade aquecer.
LED frio: piscando	A unidade está muito fria para a partida auxiliada, mas outras funções ainda estão disponíveis. / Espere a unidade aquecer.
LED frio: pisca e então todos os LEDs são desligados	A unidade está muito fria para a partida auxiliada ou para usar outras funções. / Espere a unidade aquecer e a leve para um ambiente mais quente.
Observação técnica	As baterias de íons de lítio aquecem quando usadas. Se o LED de erro frio estiver aceso, tente fazer a partida auxiliada várias vezes para aquecer a bateria e corrigir o erro. Geralmente, de 3 a 4 partidas auxiliadas são suficientes para aquecer.

Especificações técnicas

Bateria interna:	Íons de lítio (Watt-hora 266)
Corrente nominal de pico:	20,000A
joules3S:	80,000+
Temperatura operacional:	-30°C a +50°C (-22°F a +122°F)
Temperatura de recarga:	0°C a +40°C (32°F a +104°F)
Temperatura de armazenamento:	-20°C a +50°C (-4°F a +122°F) (temp. média)
USB (saída):	Duplo 5V, 2,1A
12V (Input):	12V, 5A
12V (Output):	12V, 15A
Proteção da caixa:	IP65 (com as portas fechadas)
Arrefecimento:	Convecção natural
Dimensões (C x L x A):	12,25 x 8,25 x 2,25 polegadas (311,15 x 209,55 x 57,15 mm)
Peso:	19 libras

PT

Garantia

Genius NOCO um (1) ano de garantia limitada.

A NOCO Company ("NOCO") garante que este produto (o "Produto") estará livre de defeitos de material e de mão de obra por um período de um (1) ano a partir da data da compra (o "Período de Garantia"). Em caso de defeitos reportados durante o Período de Garantia, a NOCO, a seu critério exclusivo, e sujeita à análise da equipe suporte técnico da NOCO, reparará ou substituirá produtos defeituosos. As peças e os produtos de substituição serão novos ou usados porém funcionais, comparáveis em função e desempenho com a peça original e com garantia até o restante do período de garantia original.

A RESPONSABILIDADE DA NOCO NOS TERMOS DO PRESENTE DOCUMENTO ESTÁ EXPRESSAMENTE LIMITADA À SUBSTITUIÇÃO OU AO REPARO. NA MEDIDA MÁXIMA PERMITIDA POR LEI, A NOCO NÃO PODE SER RESPONSABILIZADA POR NENHUM COMPRADOR DO PRODUTO OU POR TERCEIROS POR QUAISQUER DANOS ESPECIAIS, INDIRETOS, CONSEQUENTES OU EXEMPLARES, INCLUINDO, ENTRE OUTROS, LUCROS PERDIDOS, DANOS MATERIAIS OU LESÕES CORPORAIS, RELACIONADOS DE QUALQUER FORMA AO PRODUTO, SEJA QUAL FOR O MOTIVO, MESMO QUE A NOCO TENHA CONHECIMENTO DA POSSIBILIDADE DE TAIS DANOS. AS GARANTIAS ESTABELECIDAS NESTE DOCUMENTO SUBSTITUEM TODAS AS OUTRAS GARANTIAS, EXPRESSAS, IMPLÍCITAS, ESTATUTÁRIAS OU NÃO, INCLUINDO, SEM LIMITAÇÃO, AS GARANTIAS IMPLÍCITAS DE COMERCIALIZAÇÃO E ADEQUAÇÃO A UM PROPÓSITO ESPECÍFICO, E AS GARANTIAS DECORRENTES DO CURSO DE NEGOCIAÇÃO, USO OU PRÁTICA COMERCIAL. NO CASO DAS LEIS APLICÁVEIS IMPOREM GARANTIAS, CONDIÇÕES OU OBRIGAÇÕES QUE NÃO POSSAM SER EXCLUÍDAS OU MODIFICADAS, ESTE PARÁGRAFO DEVE APLICAR-SE, NA MEDIDA DO POSSÍVEL, A TAIS LEIS.OF

Esta Garantia Limitada é feita exclusivamente para o benefício do comprador original do Produto da NOCO ou de um revendedor ou distribuidor aprovado pela NOCO e não é transmissível ou transferível. Para fazer uma solicitação de garantia, o comprador deve: (1) solicitar e obter um número de autorização de devolução de produto ("RMA") e as informações do local de devolução (o "Local de Devolução") com a equipe de suporte da NOCO enviando e-mail para support@no.co ou ligando para 1.800.456.6626; e (2) enviar o Produto, incluindo o número de RMA, recibo ou uma taxa de garantia (a taxa somente é necessária se o recibo não for apresentado) de 45% do preço sugerido para o produto pela fabricante (ou MSRP, na sigla em inglês) do produto com defeito (a "Taxa de Garantia") [a RMA incluirá o valor da Taxa de Garantia aplicável] ao Local de Devolução. NÃO ENVIE O PRODUTO SEM PRIMEIRO OBTER UMA RMA DA EQUIPE DE SUPORTE DA NOCO.

O COMPRADOR ORIGINAL É RESPONSÁVEL (E DEVE PAGAR ANTECIPADAMENTE) TODOS OS CUSTOS DE TRANSPORTE E DE EMBALAGEM PARA ENVIAR PRODUTOS PARA O SERVIÇO DE GARANTIA.

NÃO OBSTANTE O ACIMA EXPOSTO, ESTA GARANTIA LIMITADA É NULA E NÃO SE APLICA AOS PRODUTOS QUE: (A) são mal utilizados, manipulados incorretamente, sujeitos a abusos ou manuseio descuidado, acidentes, armazenados incorretamente ou operados sob condições extremas de tensão, temperatura, choque ou vibração acima das recomendações da NOCO para uso seguro e efetivo; (b) instalado, operado ou mantido incorretamente; (c) são/foram modificados sem o consentimento expresso por escrito da NOCO; (d) foram desmontados, alterados ou reparados por qualquer pessoa que não seja da NOCO; (e) cujos defeitos foram reportados após o Período de Garantia.

ESTA GARANTIA LIMITADA NÃO COBRE: (1) desgaste normal; (2) danos estéticos que não afetam a funcionalidade; ou (3) Produtos em que o número de série da NOCO está ausente, alterado ou desfigurado.

Você pode registrar seu produto NOCO on-line no: no.co/register. Se você tiver alguma dúvida sobre sua garantia ou produto, entre em contato com o suporte da NOCO (e-mail e número de telefone acima) ou escreva para: NOCO Company, 30339 Diamond Parkway, #102, Glenwillow, OH 44139 USA.

NOCO genius[®] BOOSTMAX[™]

GB500



GEVAAR

Gebruikershandleiding & Garantie



VOOR U DIT PRODUCT GEBRUIKT, MOET U ALLE VEILIGHEIDSGEGEVINGEN LEZEN EN BEGRIJPEN. Als u deze veiligheidsinstructies niet naleeft, dan kan dat resulteren in **ELEKTRISCHE SCHOKKEN, ONTPLOFFING, BRAND** wat vervolgens kan leiden tot **ERNSTIGE VERWONDINGEN, OVERLIJDEN of SCHADE AAN EIGENDOM.**



Elektrische schok. Het product is een elektrisch toestel dat een schok en dus ook ernstige verwondingen kan veroorzaken. Snij geen stroomkabels door. Niet onderdompelen in water of nat maken.



Ontploffing. Ongecontroleerde, incompatibele of beschadigde batterijen kunnen ontploffen als ze met dit product gebruikt worden. Laat het product niet zonder toezicht achter als het in werking is. Probeer niet om een beschadigde of bevroren batterij te starten. Gebruik dit product enkel met batterijen met het aanbevolen voltage. Gebruik het product in goed verluchte ruimtes.



Brand. Het product is een elektrisch toestel dat warmte uitstraalt en brandwonden kan veroorzaken. Bedek het product niet. Niet roken of voorwerpen met een elektrische vonk of vuur gebruiken als u dit product bedient. Hou het product uit de buurt van brandbaar materiaal.



Oogletsel. Draag oogbescherming als u dit product bedient. Batterijen kunnen ontploffen waardoor er brokstukken kunnen wegvliegen. Batterijzuur kan irritatie aan de ogen of de huid veroorzaken. Als uw ogen of huid aangetast zijn, spoel de aangetaste zone dan met stromend water en neem onmiddellijk contact op met het antigifcentrum / uw huisarts.



Explosieve gassen. Werken in de buurt van loodzuur is gevaarlijk. Batterijen produceren explosieve gassen tijdens de normale werking ervan. Om het risico op ontplopende batterijen te beperken, moet u alle veiligheidsinstructies naleven evenals de instructies van de batterijproducent en de producent van toestellen die bestemd zijn om te gebruiken in de buurt van batterijen. Lees de waarschuwingmeldingen op deze producten en op de motor.

Nederlands

Voor meer informatie
en ondersteuning gaat u naar:

www.no.co/support

Belangrijke veiligheidswaarschuwingen

Proposition 65. Batterijhouders, terminals en bijhorende accessoires bevatten chemicaliën, waaronder ook lood. Die materialen zijn in de staat Californië gekend als kankerverwekkers en veroorzakers van geboortefwijkingen en andere voortplantingsproblemen. **Persoonlijke voorzorgsmaatregelen.** Gebruik het product enkel voor het beoogde doel. Er moet iemand binnen stembereik zijn of dicht genoeg om u te helpen in geval van nood. Zorg ervoor dat er schoon water en zeep beschikbaar is in de buurt voor als er vervuiling met batterijzuur zou optreden. Draag volledige oogbescherming en beschermende kledij als u in de buurt van een batterij werkt. Was steeds uw handen nadat u met batterijen en bijhorende producten gewerkt heeft. Gebruik of draag geen metalen voorwerpen als u met batterijen werkt, denk maar aan gereedschap, uurwerken of juwelen. Als er metaal op de batterij valt, kan dat vonken of kortsluiting veroorzaken wat kan leiden tot een elektrische schok, brand, ontploffing. Dat kan dan weer zorgen voor verwondingen, overlijden of schade aan eigendom. **Minderjarigen.** Als de "Koper" het product wil laten gebruiken door een minderjarige, dan stemt de aankopende volwassene ermee in om de minderjarige voor gebruik te voorzien van gedetailleerde instructies en waarschuwingen. Als hij dat niet doet, dan is dat de verantwoordelijkheid van de "Koper" die ermee instemt om NOCO te vrijwaren tegen onbedoeld gebruik of misbruik door een minderjarige. **Verstikkingsgevaar.** De accessoires kunnen een verstikkingsgevaar vormen voor kinderen. Laat kinderen niet zonder toezicht bij het product of de accessoires. Het product is geen speelgoed. **Bediening.** Bedien het product voorzichtig. Bij een botsing kan het product beschadigd raken. Gebruik geen beschadigd product, inclusief, maar niet beperkt tot, barsten in de behuizing of beschadigde kabels. Gebruik geen producten met een beschadigde stroomkabel. Vocht en vloeistoffen kunnen het product beschadigen. Gebruik het product of de elektrische onderdelen ervan niet in de buurt van vloeistoffen. Bewaar en gebruik het product op een droge plaats. Gebruik het product niet als het nat is. Als het product al aan het werk is en het wordt nat, koppel het dan los van de batterij en zet het gebruik ervan onmiddellijk stop. Koppel het product niet los door aan de kabels te trekken. **Wijzigingen.** Probeer niet om het product, of onderdelen ervan, te wijzigen, aan te passen of te herstellen. Als u het product uit elkaar haalt, dan kan dat leiden tot verwondingen, overlijden of schade aan eigendom. Als het product beschadigd raakt, slecht werkt of in contact komt met een vloeistof, zet het gebruik ervan dan stop en neem contact op met NOCO. Elke aanpassing aan het product verklaart uw garantie nietig. **Accessoires.** Dit product is enkel goedgekeurd voor gebruik met NOCO-accessoires. NOCO is niet verantwoordelijk voor de gebruikersveiligheid of voor schade als er accessoires gebruikt worden die niet erkend worden door NOCO. **Locatie.** Vermijd dat het batterijzuur met het product in aanraking komt. Gebruik het product niet in een ingesloten ruimte of een ruimte met beperkte ventilatie. Plaats geen batterij bovenop het product. Plaats kabelgeleiders om onvoorziene schade te vermijden veroorzaakt door bewegende voertuigonderdelen (inclusief motorkappen en deuren), bewegende motoronderdelen (inclusief ventilatorbladen, riemen en schijven) of wat een gevaar kan vormen en verwondingen of overlijden kan veroorzaken. **Bedieningstemperatuur.** Dit product werd ontworpen om te gebruiken bij kamertemperaturen tussen - 30 en + 50 °C. Gebruik het niet bij temperaturen die buiten dat bereik vallen. Probeer niet om een bevroren batterij te starten. Beëindig het gebruik van het product onmiddellijk als de batterij extreem warm wordt. **Opslag.** Gebruik of bewaar uw product niet op plaatsen waar veel stof of ander materiaal in de lucht hangt. Bewaar uw product op een effen, beschut oppervlak zodat het niet kan vallen. Bewaar uw product op een droge plek. De opslagtemperatuur is - 20 tot + 25 °C (gemiddelde temperatuur). Zorg ervoor dat de temperatuur in geen enkele situatie hoger is dan 80 °C. **Compatibiliteit.** Het product is enkel compatibel met loodzuurbatterijsystemen van 12 volt en 24 volt. Probeer niet om het product te gebruiken

voor andere soorten batterijen. Andere soorten batterijen starten, kan leiden tot verwondingen, overlijden of schade aan eigendom. Neem contact op met de batterijproducent voor u de batterij probeert te starten. Start een batterij niet als u niet zeker bent van de specifieke chemische eigenschappen of het voltage. **De batterij.** De in het product ingebouwde lithium-ionbatterij mag enkel vervangen worden door NOCO en moet gerecycleerd worden of apart van het huishoudelijk afval geruimd worden. Probeer de batterij niet zelf te vervangen en probeer niet om een beschadigde of lekkende lithium-ionbatterij te bedienen. Gooi de batterij nooit bij het huishoudelijk afval. Batterijen bij het huishoudelijk afval gooien is onwettig volgens de geldende milieuwetten en -regelgevingen. Breng gebruikte batterijen steeds naar uw plaatselijk recyclagecentrum voor batterijen. Als de productbatterij extreem warm is, geur verspreidt, vervormd is, insnijdingen vertoont of een abnormaal uitzicht vertoont, stop dan onmiddellijk het gebruik ervan en neem contact op met NOCO. **Batterij opladen.** Laad het product op met behulp van de bijgeleverde 12V DC-adapter of de 56W XGC-stroomadapter. Let op met het gebruik van minderwaardige stroomadapters. Die kunnen namelijk een ernstig elektrisch risico veroorzaken dat kan leiden tot letsels aan personen, toestellen en eigendom. Als u beschadigde kabels of opladers gebruikt of als u oplaadt als er vocht aanwezig is, dan kan dat leiden tot elektrische schokken. NOCO is niet verantwoordelijk voor de veiligheid van de gebruikers als er accessoires of hulpmiddelen gebruikt worden die niet erkend worden door NOCO. Stroomadapters kunnen warm worden bij normaal gebruik. Langdurig contact met de huid kan leiden tot verwondingen. Zorg steeds voor voldoende ventilatie rond de stroomadapters als u ze gebruikt. Om te zorgen voor een maximale levensduur van de batterij, laat u het product best niet langer dan een week opladen. Overladen kan de levensduur van de batterij namelijk inkorten. Na verloop van tijd onlaadt een product dat niet gebruikt wordt. U moet het voor gebruik dus opnieuw opladen. Koppel het product los van stroombronnen als het niet gebruikt wordt. Gebruik het product enkel voor de beoogde doeleinden. **Medische apparatuur.** Het product kan elektromagnetische velden uitzenden. Het product bevat magnetische onderdelen die storing kunnen veroorzaken met pacemakers, defibrillators of andere medische apparatuur. Die elektromagnetische velden kunnen storing veroorzaken met pacemakers of andere medische apparatuur. Raadpleeg voor gebruik uw arts indien u gebruik maakt van medische apparatuur, inclusief pacemakers. Als u vermoedt dat het product storing veroorzaakt met medische apparatuur, zet het gebruik ervan dan onmiddellijk stop en raadpleeg uw arts. **Medische aandoeningen.** Als u aan een medische aandoening lijdt waarvan u vermoedt dat het product er een invloed op zou kunnen hebben, inclusief maar niet beperkt tot aanvallen, black-outs, vermoeidheid van de ogen of hoofdpijn, raadpleeg dan uw arts voor u het product gebruikt. Het gebruik van een krachtige ingebouwde zaklamp impliceert een kans op lichtgevoeligheid. Als u het licht in stroboscoopmodus gebruikt, kan dat aanvallen veroorzaken bij mensen met lichtgevoelige epilepsie, wat kan leiden tot ernstige verwondingen of overlijden. **Licht.** Als u recht in de zaklamp kijkt, dan kan dat permanente schade aan uw ogen veroorzaken. Het product is voorzien van een voorgevormde ledlamp met hoge output die een krachtige lichtstraal uitzendt in de hoogste instelling. **Schoonmaken.** Schakel het product uit voor u het schoonmaakt of er onderhoud aan uitvoert. Maak het product onmiddellijk schoon en droog het af als het in contact komt met vloeistoffen of verontreinigende stoffen. Gebruik een zachte microvezeldoek. Zorg ervoor dat er geen vocht in de openingen komt. **Explosieve omgevingen.** Leef alle aanwijzingen en instructies na. Gebruik het product niet in een ruimte met een mogelijk explosieve omgeving, inclusief tankzones of zones die chemicaliën of deeltjes zoals graan, stof of metaalpoeder bevatten. **Activiteiten met aanzienlijke gevolgen.** Dit product is niet bestemd voor gebruik waarbij een storing van het product zou kunnen leiden tot verwondingen, overlijden of zware schade aan het milieu. **Storing radiofrequentie.** Het product werd ontworpen, getest en geproduceerd in overeenstemming met de reglementering inzake uitstraling van radiofrequentie. Dergelijke uitstralingen van het product kunnen een negatieve invloed hebben op de werking van andere elektronische uitrusting, waardoor ze slecht werken. **Modelnummer: GB500** Dit toestel is in overeenstemming met Deel 15 van de FCC Rules. Het gebruik ervan wordt onderworpen aan de volgende twee voorwaarden: (1) dit toestel mag geen schadelijke storing veroorzaken en (2) dit toestel moet elke

ontvangen storing aanvaarden, inclusief storingen die ongewenste effecten op de werking van het toestel kunnen hebben. **OPMERKING:** Deze uitrusting werd getest en in overeenstemming bevonden met de beperkingen voor een digitaal toestel uit Klasse A, volgens Deel 15 van de FCC Rules. Deze beperkingen werden opgesteld om te zorgen voor een redelijke bescherming tegen schadelijke storing als de uitrusting gebruikt wordt in een commerciële omgeving. De uitrusting zorgt voor, gebruikt en kan radiofrequentie-energie uitstralen en kan, indien ze niet geïnstalleerd werd in overeenstemming met de handleiding, zorgen voor schadelijke storing aan radiocommunicatie. Het gebruik van deze uitrusting in een woonzone kan schadelijke storing veroorzaken waarbij de gebruiker de storing op eigen kosten zal moeten corrigeren.

Gebruik

Stap 1: De GB500 opladen.

De GB500 is al deels opgeladen als u hem uit de verpakking haalt. U moet hem volledig opladen voor gebruik. Sluit de GB500 met behulp van de bijgeleverde 12V adapter of de 56W XGC-stroomadapter aan op de 12V IN-poort. De GB500 moet in stand 12V staan om opgeladen te worden. Zorg ervoor dat de knop voor het selecteren van het voltage in stand 12V staat vooraleer op te laden. De XGC 12V IN-poort heeft een snelheid van 12V, 5A om de interne lithium-ionbatterij veilig en doeltreffend op te laden. Omwille van de FCC-reglementering raden we aan om het toestel niet tegelijk op te laden en te ontladen. De tijd om een GB500 op te laden verschilt naarmate het niveau van ontlading en de gebruikte stroombron. De werkelijke resultaten kunnen verschillen naargelang de toestand van de batterij.

Oplaadtijd: 6-8 uur

Bij gebruik van een 12V DC-kabel of een AC-stroomadapter om een volledig ontladen toestel op te laden. De oplaadtijd verschilt naarmate het niveau van ontlading.

25% 50% 75% 100% Bij het opladen wordt het niveau van de interne batterij aangeduid door de oplaadleds. De leds zullen traag aan en uit knipperen en blijven oplichten tot alle vier de oplaadleds branden. Als de batterij volledig opgeladen is, zal de groene 100% led blijven branden en schakelen de 25%, 50% en 75% oplaadleds uit. De groene 100% led zal af en toe knipperen om aan te geven dat de onderhoudsoplaadbeurt bezig is.



12V DC-laden (60W).

De GB500 moet in stand 12V staan om opgeladen te worden. Zorg ervoor dat de knop voor het selecteren van het voltage in stand 12V staat vooraleer op te laden. Sluit de 12V kabel aan op de 12V IN-poort op de GB500 en sluit het andere uiteinde aan op de mannelijke 12V stekker. Sluit aan op een 12V AUX-stekker (sigarettenaansteker).

AC-laden (56W).

De GB500 moet in stand 12V staan om opgeladen te worden. Zorg ervoor dat de knop voor het selecteren van het voltage in stand 12V staat vooraleer op te laden. Sluit de XGC 12V kabel aan op de 12V IN-poort op de GB500 en sluit het andere uiteinde van de 56W stroomadapter aan op AC-stroom (wisselstroom) (100-240VAC stopcontact).

Uw toestellen op 12V van stroom voorzien.

De GB500 moet in stand 12V staan om 12V OUT mogelijk te maken. Sluit de 12V kabel aan op de 12V OUT-poort op de GB500 en sluit het andere uiteinde aan op de vrouwelijke 12V stekker (12V AUX / sigarettenaanstekerpoort). Sluit om het even welk standaardtoestel van 12V (tot 15A) aan met een 12V stekker en schakel de GB500 in om uw toestel van stroom te voorzien.

Stap 2: Aansluiten op de batterij.

Zorg ervoor dat u de specifieke voorzorgsmaatregelen en aanbevolen methodes voor het starten van het voertuig in de handleiding van de voertuigeigenaar zorgvuldig leest en begrijpt. Bepaal het voltage en de chemische eigenschappen van de batterij door de bijhorende handleiding te raadplegen voor u dit product gebruikt. De GB500 is enkel geschikt om loodzuurbatterijsystemen van 12 volt en 24 volt te starten. Voor u hem aansluit op de batterij moet u het voltage van het batterijsysteem controleren. Zorg ervoor dat de knop voor het selecteren van het voltage op de juiste stand staat (12V of 24V) die overeenkomt met het voltage van het batterijsysteem dat wordt gestart. Verander nooit het voltage terwijl de eenheid op een accu is aangesloten. Verander het voltage alleen wanneer de eenheid uitstaat. De GB500 is niet geschikt voor andere soorten batterijen. Controleer de polariteit van de batterijuiteinden op de batterij. De positieve batterijterminal wordt doorgaans aangeduid met de volgende letters of symbolen: POS, P, +. De negatieve batterijterminal wordt doorgaans aangeduid met de volgende letters of symbolen: NEG, N, -. Maak geen verbinding met de carburator, brandstoflijnen of dunne plaatmetalen onderdelen. De instructies hieronder zijn voor een negatief geaard systeem (komt het meest voor). Als uw voertuig een positief geaard systeem is (erg onwaarschijnlijk), volg dan dezelfde instructies, maar in omgekeerde volgorde.

- 1.) Sluit de negatieve (zwarte) Boost Max Connector aan op de negatieve poort op de GB500.
- 2.) Sluit de positieve (rode) Boost Max Connector aan op de positieve poort op de GB500.
- 3.) Maak de accupolen altijd schoon voordat u de klemmen aansluit. LET OP: Onjuiste aansluitingen of vuile accupolen kunnen rook veroorzaken. Accu's met zeer laag voltage kunnen de kans op rook ook verhogen.
- 4.) Sluit de positieve (rode) Boost Max Connector aan op de positieve (POS, P, +) batterijterminal.
- 5.) Sluit de negatieve (zwarte) Boost Max Connector aan op de negatieve (NEG, N, -) batterijterminal of op het chassis van het voertuig. (Aarden naar het chassis is mogelijk niet geschikt voor het met startkabels starten van grote toepassingen.)
- 6.) Als u loskoppelt, koppel dan los in omgekeerde volgorde en verwijder eerst de negatieve klem (of eerst de positieve klem voor positief geaarde systemen).

Stap 3: Starten.

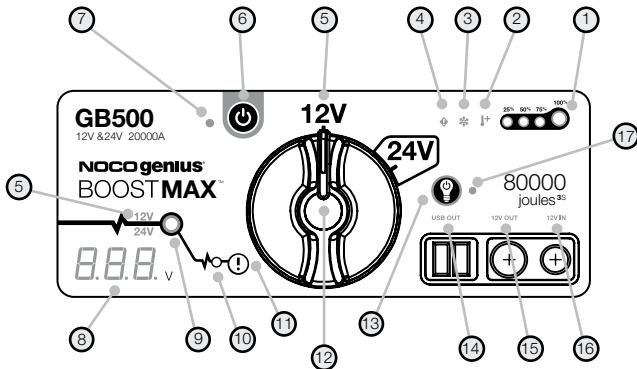
- 1.) Zorg ervoor dat alle stroomladingen van het voertuig (koplampen, radio, airco ...) uitgeschakeld zijn voor u het voertuig probeert te starten. Als het voertuig is uitgerust met een hoofdschakelaar, zet deze dan aan.
- 2.) Druk op de stroomknop om te beginnen met starten. Alle leds zullen knipperen om aan te duiden dat alle leds correct werken. Als u correct aangesloten bent op de batterij dan licht de witte boostled op. Als de batterijklemmen omgekeerd aangesloten zijn dan licht de rode foutled op. Sluit de klemmen omgekeerd aan om deze fout op te lossen en vervolgens zal de witte boostled oplichten. De witte boostled licht op als de GB500 klaar is om uw voertuig te starten.
- 3.) Probeer het voertuig te starten. De meeste voertuigen zullen onmiddellijk starten. Voor sommige voertuigen moet de GB500 zo'n 30 seconden aangesloten zijn voor ze zullen starten. Als het voertuig niet onmiddellijk start, wacht dan 20-30 seconden en probeer opnieuw. Probeer binnen een periode van 15 minuten niet meer dan vijf (5) keer na elkaar om te starten. Laat de GB500 vijftien (15) minuten rusten voor u opnieuw probeert om het voertuig te starten.
- 4.) Zodra u uw voertuig gestart heeft, koppelt u de batterijklemmen los en verwijderd u de GB500.

Laagspanningsbatterijen & manuele opheffing.

De GB500 werd ontworpen om loodzuurbatterijen van 12 tot 2 V te starten. Als uw batterij minder dan 2 V is, dan staat de boostled uit. Dat wijst erop dat de GB500 geen batterij kan detecteren. Als u een batterij van minder dan 2 V wilt starten, dan is er een manuele opheffing waarmee u de startfunctie kunt forceren.




LET OP.

GEbruik DEZE MODUS UITERST VOORZICHTIG. DEZE MODUS IS ENKEL VOOR LOODZUURBATTERIJEN VAN 12 VOLT OF 24 VOLT. ZORG ERVOOR DAT DE KNOP VOOR HET SELECTEREN VAN HET VOLTAGE OP DE JUISTE STAND STAAT (12V OF 24V) DIE OVEREENKOMT MET HET VOLTAGE VAN HET BATTERIJSYSTEEM DAT WORDT GESTART. DE BESCHERMINGSEIGENSCHAPPEN TEGEN VONKEN EN OMGEKEERDE POLARITEIT ZIJN UITGESCHAKELD. BESTEED BIJZONDERE AANDACHT AAN DE POLARITEIT VAN DE BATTERIJ VOOR U DEZE MODUS GEBRUIKT. ZORG ERVOOR DAT DE POSITIEVE EN NEGATIEVE BATTERIJKLEMMEN ELKAAR NIET RAKEN OF OP ELKAAR AANGESLOTEN ZIJN. ALS DAT WEL HET GEVAL IS, ZAL HET PRODUCT VONKEN VEROOZAKEN. DEZE MODUS MAAKT GEBRUIK VAN BIJZONDER HOGE STROOM (TOT 1.000 AMPS) DIE VONKEN EN EXTREME HITTE KAN VEROOZAKEN BIJ VERKEERD GEBRUIK. ALS U NIET ZEKER BENT HOE U DEZE MODUS MOET GEBRUIKEN, PROBEER DIT DAN NIET EN VRAAG PROFESSIONELE HULP.



- 1. Intern Batterijniveau** Geeft het oplaadniveau van de interne batterij aan.
- 2. Hitte Led** Licht blijvend Rood op; het toestel werkt ten volle, maar nadert de bovenste temperatuurgrens. Rood flikkerlicht; het toestel is te warm om te starten, maar andere functies zijn nog steeds beschikbaar.
- 3. Koude Led** Licht blijvend Blauw op; het toestel werkt ten volle, maar nadert de onderste temperatuurgrens. Blauw flikkerlicht; het toestel is te koud om te starten, maar andere functies zijn nog steeds beschikbaar.
- 4. Foutled Licht** Rood op als er een omgekeerde polariteit wordt opgemerkt.
- 5. Voltage Indicator** Geeft aan op welk batterijsysteemvoltage de GB500 op dit moment is ingesteld. 12V licht Wit op indien in de 12V modus, 24V licht Blauw op indien in de 24V modus.
- 6. Stroomknop** Druk om het toestel in ("On") en uit ("Off") te schakelen.
- 7. Stroomled** Licht Wit op als het toestel ingeschakeld is ("On").
- 8. Voltmeter** De ingebouwde voltmeter leest het voltage van de batterij van het voertuig voor een verbeterde diagnostiek en om problemen op te lossen. De voltmeter zal automatisch het voltage van om het even welke batterij (of batterijsysteem) lezen als de batterijklemmen aangesloten zijn, ook al is het toestel uitgeschakeld. De voltmeter kan een voltage aflezen tussen $\sim 3V$ en $\sim 30V$. Als de aangesloten batterij minder dan 3V heeft, dan verschijnt er niets. In dat geval is er waarschijnlijk een lading aangesloten op de batterij, denk maar aan koplampen of een wisselstroomventilator. Schakel deze uit voor u het voertuig probeert te starten.
- 9. Boostled** Licht Wit op als de Boost actief is. Als het toestel correct aangesloten is op een batterij, dan zal de GB500 automatisch een batterij vinden en overschakelen op de Boostmodus (de Witte led knippert als de Manuele opheffing actief is).
- 10. Led Manuele opheffing** Licht blijvend Rood op wanneer de Manuele opheffing is geactiveerd.
- 11. Knop Manuele opheffing** Drie (3) seconden ingedrukt houden om in te schakelen. **WAARSCHUWING: Schakelt de veiligheidsbescherming uit en schakelt de Boost manueel in. Enkel te gebruiken als een batterij te weinig volt heeft om gevonden te kunnen worden.**
- 12. Selectieknop Voltage** Draai aan de knop om om te schakelen tussen stand 12V en stand 24V.
- 13. Knop Lichtmodus** Schakelt het werklicht in met 7 lichtmodes: 100% > 50% > 10% > SOS > Knipperen > Stroboscoop > Uit.
- 14. USB Out-Led** Licht Wit op; de USB Out-functie kan zowel in stand 12V als in stand 24V worden gebruikt.
- 15. 12V Out-led** Licht Wit op; 12V Out-functie kan enkel worden gebruikt in stand 12V.
- 16. 12V In-led** Licht Wit op; 12V In-functie kan enkel worden gebruikt in de 12V modus.
- 17. Led Lichtmodus** Licht Wit op wanneer het werklicht is ingeschakeld, maar het toestel is uitgeschakeld.

Fejlfinding

Fejl	Grund/Årsag
 Foutled: Blijvend Rood	Omgekeerde polariteit opgemerkt. / Draai de batterijverbindingen om.
Foutled: Flickert één (1) keer	Kortsluiting opgemerkt op de batterijklemmen. / Verwijder alle ladingen en sluit daarna de klemmen opnieuw aan op de batterij.
Foutled: Flickert twee (2) keer	Het starten duurt langer dan tien (10) minuten. / Schakel het toestel uit ("Off") en schakel het daarna opnieuw in ("On").
Foutled: Flickert drie (3) keer	Interne fout besturingsschakelaar. / Zorg ervoor dat de knop voor het selecteren van het voltage correct op stand 12V of stand 24V staat.
Foutled: Flickert vier (4) keer	Slechte batterijcel opgemerkt tijdens het laden. / Schakel het toestel uit en contacteer NOCO Support.
Foutled: Flickert vijf (5) keer	XGC OUT overstroomfout. / Verwijder de lading van de XGC OUT, schakel dan het toestel uit ("Off") en schakel het toestel daarna weer in ("On").
 Hitte Led: Blijvend	Het toestel werkt ten volle, maar nadert de bovenste temperatuurgrens. / Laat het toestel afkoelen.
Hitte Led: Knipperend	Het toestel is te warm om te starten, maar andere functies zijn nog steeds beschikbaar. / Laat het toestel afkoelen.
Hitte Led: Knippert eerst, vervolgens gaan alle leds uit	Het toestel is te warm om te starten of om andere functies te gebruiken. / Laat het toestel afkoelen en plaats het toestel in een koelere omgeving.
 Koude Led: Blijvend	Het toestel werkt ten volle, maar nadert de onderste temperatuurgrens. / Laat het toestel opwarmen.
Koude Led: Knipperend	Het toestel is te koud om te starten, maar andere functies zijn nog steeds beschikbaar. / Laat het toestel opwarmen.
Koude Led: Knippert eerst, vervolgens gaan alle leds uit	Het toestel is te koud om te starten of om andere functies te gebruiken. / Laat het toestel opwarmen en plaats het toestel in een warmere omgeving.
Technische nota	Lithium-ionbatterijen warmen zichzelf op bij gebruik. Als de Koude Foutled oplicht, probeert u om meerdere keren te starten om de batterij op te warmen en de foutmelding op te heffen. Doorgaans volstaat het om 3 tot 4 keer te starten om de batterij op te warmen waarna de foutmelding verdwijnt.

Tekniske specifikationer

Interne batterij:	Lithium-ion (Wattuur 266)
Maximale stroomsterkte:	20,000 A
joules3S:	80,000+
Bedieningstemperatur:	- 30 °C tot + 50 °C (-22°F tot+122°F)
Laadtemperatur:	0°C tot +40°C (32°F tot +104°F)
Opslagtemperatur:	- 20 °C tot + 50 °C (-4°F tot +122°F) (Gem. temp.)
USB (output):	Duaal 5 V, 2,1 A
12V (Input):	12V, 5A
12V (Output):	12V, 15A
Behuizingsbescherming:	IP65 (met poorten gesloten)
Koeling:	Natuurlijke convectie
Afmetingen (L x B x H):	12,25 x 8,25 x 2,25 tommer (311,15 x 209,55 x 57,15 mm)
Gewicht:	8,6 kg

DK

Garantie

NOCO Genius One (1) års begrænset garanti.

NOCO virksomheden ("NOCO") garanterer, at dette produkt ("Produktet") er fri for fejl i materiale og udførelse, i en periode på et (1) år fra købsdatoen ("Garantiperioden"). For mangler, der indberettes i garantiperioden, vil NOCO efter eget skøn og underlagt NOCOs tekniske supportanalyse enten reparere eller udskifte defekte Produkter. Udskiftningsdele og produkter vil blive brugt som nyt eller anvendeligt, sammenlignelige i funktion og ydeevne til den oprindelige del og garanteret for den resterende del af den oprindelige garantiperiode.

NOCO'S ANSVAR ER HERUNDER UDTRYKKELT BEGRÆNSET TIL UDSKIFTNING ELLER REPARATION. UNDER DEN MAKSIMALE LOVGIVNING, VIL NOCO IKKE VÆRE ANSVARLIG FOR KØBEREN AF PRODUKTET, ELLER NOGEN TREDJEPART, FOR SÆRLIGE, INDIREKTE, KONSEKVENTE ELLER EKSEMPLARISKE FØLGESKADER, INKLUSIVE, MEN IKKE BEGRÆNSET TIL; TABT ARBEJDSFORTJENESTE, EJENDOMSSKADE, ELLER PERSONSKADE RELATERET TIL PRODUKTET PÅ NOGEN MÅDE, UANSET ÅRSAG, SELVOM NOCO HAR KENDSKAB TIL MULIGHEDEN FOR SÅDANNE SKADER. GARANTIERNE HERI GÆLDER FOR ALLE ANDRE GARANTIER, INKLUSIVE, OG UDEN BEGRÆNSNING, DE UNDERFORSTÅEDE GARANTIER FOR SALGBARHED OG EGNETHED TIL ET BESTEMT FORMÅL, OG DEM DER OPSTÅR UNDER FORHANDLING. I TILFÆLDE AF AT GÆLDENDE LOVE INDFØRER GARANTIER, BETINGELSER ELLER FORPLIGTELSE DER IKKE KAN UDELUKKES ELLER ÆNDRES, GÆLDER DENNE PARAGRAF I DET STØRSTE OMFANG DISSE LOVE TILLADER. Denne begrænsede garanti er udelukkende til gavn for den oprindelige køber af produktet fra NOCO eller fra en NOCO-godkendt forhandler eller distributør, og kan ikke overdrages eller videregives. For at kræve et garantibevis skal køberen: (1) anmode om og få et returmærke autorisationsnummer ("RMA") og returneringsstedoplysninger ("Returneringsstedet") fra NOCO Support, via e-mail support@no.co eller ved at ringe til 1.800.456.6626 og (2) Indsende produktet, inklusive RMA-nummer, kvittering eller garantibegrænsning (gebyr kun påkrævet, hvis der ikke ydes kvittering) på 45% af MSRP af det defekte produkt ("Garantigebyr") [RMA vil inkludere gældende garantibeløb] til returstedet. SEND IKKE PRODUKTET IND, UDEN GODKENDELSE AF EN RMA ANSAT FRA NOCO SUPPORT.

ORIGINALKØBEREN ER ANSVARLIG (OG SKAL FORBEREDE) ALLE EMBALLAGE OG TRANSPORTKOSTNINGER TIL AFSENDELSE AF PRODUKTER TIL SERVICE.

VED MANGEL PÅ OVERHOLDELSE AF OVENSTÅENDE ER DENNE BEGRÆNSEDE GARANTI ANNULLERET, OG GÆLDER IKKE FOR PRODUKTER, DER: a) misbruges, mishandles, udsættes for misbrug eller uforsigtig handling, ulykke, ukorrekt opbevares eller anvendes under ekstreme spændinger, temperaturer, stød eller vibrationer ud over NOCO's anbefalinger for sikker og effektiv brug; b) ukorrekt installeret, betjent eller vedligeholdt c) er modificeret uden udtrykkelig skriftligt samtykke fra NOCO d) er blevet adskilt, ændret eller repareret af andre end NOCO e) hvis mangler er anmeldt efter garantiperioden

DENNE BEGRÆNSEDE GARANTI DÆKKER IKKE: (1) Normal slitage; (2) kosmetisk skade, der ikke påvirker funktionaliteten eller (3) Produkter, hvor NOCO serienummeret mangler, ændres eller defaceres.

Du kan registrere dit NOCO-produkt online på: no.co/register. Hvis du har spørgsmål vedrørende din garanti eller dit produkt, skal du kontakte NOCO Support (e-mail og telefonnummer ovenfor) eller skrive til: NOCO Company, ved 30339 Diamond Parkway, # 102, Glenwillow, OH 44139, USA.

NOCO genius[®] BOOSTMAX[™]

GB500



FARE

Brugervejledning og garanti



LÆS OG FORSTÅ ALLE SIKKERHEDSINFORMATIONER, FØR DU ANVENDER DETTE PRODUKT. Hvis du ikke følger disse sikkerhedsanvisninger, kan det resultere i **ELEKTRISK STØD, EKSPLOSION, BRAND, som kan resultere i alvorlig skade, død eller ejendomsskade.**



Elektrisk stød. Produktet er en elektrisk enhed, der kan give stød, og forårsage alvorlig skade. Skær ikke i strømledninger. Undgå at dykke i vand eller at blive våd.



Ekspllosion. Uovervågne, inkompatible eller beskadigede batterier kan eksplodere, hvis de anvendes sammen med produktet. Lad ikke produktet stå uden opsyn under brug. Forsøg ikke at starte med på et beskadiget eller frosset batteri. Brug kun produktet med batterier der har en anbefalet spænding. Anvendes i godt ventilerede områder.



Brand. Produktet er en elektrisk enhed, der udsender varme og kan forårsage forbrændinger. Produktet må ikke dækkes til. Ryg ikke eller anvend en elektrisk eller elektrisk brandkilde ved brug af produktet. Hold produktet væk fra brændbare materialer.



Øjenskade. Brug øjenbeskyttelse ved brug af produktet. Batterier kan eksplodere og forårsage flydende affald. Batterisyre kan forårsage øjen- og hudirritation. I tilfælde af kontakt med øjne eller hud, skyl det berørte område med rent vand og kontakt omgående giftkontrollen.



Eksplorative gasser. Arbejde i nærheden af bly-syre er farligt. Batterier genererer eksplosive gasser under normal batteridrift. For at reducere risikoen for en batteriekspllosion, skal du følge alle sikkerhedsinstrukser og dem, der er offentliggjort af batteriproducenten, og producenten af det ønskede udstyr, der skal bruges i nærheden af batteriet. Gennemgå advarselsmærkninger på disse produkter og på motoren.

Dansk

For flere oplysninger og support, besøg:

www.no.co/support

Vigtige sikkerhedsadvarsler

Forslag 65. Batteriposter, terminaler og tilhørende tilbehør indeholder kemikalier, herunder bly. Disse materialer er kendt for i staten Californien, at forårsage kræft og fødselsdefekter, samt anden reproduktiv skade. **Personlig sikkerhedsforanstaltning.** Brug kun produktet som anvist. Nogen skal være indenfor rækkevidden af din stemme, eller tæt nok til at komme til din hjælp, i tilfælde af en nødsituation. Sørg for, at have en forsyning af rent vand og sæbe i nærheden, i tilfælde af batterisyreforurening. Bær altid øjenbeskyttelse og beskyttelsestøj imens du arbejder i nærheden af et batteri. Vask altid hænderne efter håndtering af batterier og beslægtede materialer. Undgå at håndtere eller bære metalgenstande, når du arbejder med batterier, herunder; værktøj, ure eller smykker. Hvis metal tabs på batteriet kan dette generere en gnist eller skabe kortslutning, der medfører elektrisk stød, brand, eksplosion, som kan medføre skade, død eller skade på ejendom. **Mindreårig.** Hvis produktet er beregnet af "Køber" til at blive benyttet af en mindreårig, indvilger den købsvoksne i at give detaljerede instruktioner og advarsler til enhver mindreårig inden brug. Hvis det ikke er tilfældet, er det alene "Køberens ansvar", der er enig i at fritage NOCO for ethvert utilsigtet brug, eller misbrug af en mindreårig. **Kvælningsfare.** Tilbehør kan betyde en kvælningsfare for børn. Efterlad ikke børn uden opsyn med produktet eller tilbehør. Produktet er ikke et legetøj. **Håndtering.** Håndter produkt med omhu. Produktet kan blive beskadiget, hvis det rammes hårdt. Brug ikke et beskadiget produkt, herunder, men ikke begrænset til, revner til kabinettet eller beskadigede kabler. Brug ikke produktet med en beskadiget strømledning. Fugtighed og væsker kan beskadige produktet. Produktet og elektriske komponenter må ikke håndteres i nærheden af væske. Opbevar og betjen produktet på tørre steder. Brug ikke produktet, hvis det bliver vådt. Hvis produktet allerede er i drift og bliver vådt, skal du afbryde det fra batteriet og afbryde brug omgående. Undlad at afbryde produktet ved at trække i kablerne. **Ændringer.** Forsøg ikke at ændre, modificere eller reparere nogen del af produktet. Afmontering af produktet kan forårsage skade, død eller skade på ejendommen. Hvis produktet bliver beskadiget, har funktionsfejl eller kommer i kontakt med væske, afbrydes brugen og NOCO skal kontaktes. Enhver ændring af produktet vil annullere din garanti. **Tilbehør.** Dette produkt er kun godkendt til brug med NOCO tilbehør. NOCO er ikke ansvarlig for brugernes sikkerhed eller beskadigelse, når der anvendes tilbehør, der ikke er godkendt af NOCO. **Placering.** Forhindre batterisyre i at komme i kontakt med produktet. Brug ikke produktet i et lukket område eller i et område med begrænset ventilation. Undlad at stille et batteri oven på produktet. Placer kablerne for at undgå utilsigtet skade ved bevægelige køretøjsdele (herunder hætter og døre), bevægelige motordeler (herunder blæsere, bælter og remskiver), eller hvad der kan blive en fare, der kan forårsage skade eller død. **Driftstemperatur.** Dette produkt er designet til at arbejde i omgivende temperaturer mellem -30°C til 50°C. Må ikke bruges uden for temperaturområder. Start ikke et frosset batteri. Stop brug af produktet straks, hvis batteriet bliver for varmt. **Opbevaring.** Brug ikke eller opbevar dit produkt i områder med høje koncentrationer af støv eller luftbårne materialer. Opbevar produktet på flade, sikre overflader, så det ikke er tilbøjeligt til at falde ned. Opbevar dit produkt på et tørt sted. Opbevaringstemperaturen er -20°C - 25°C (gennemsnitstemperatur). En temperatur på 80°C må aldrig overstiges under enhver betingelse. **Kompatibilitet.** Produktet er kun kompatibelt med 12-volt og 24-volts blybatteri-systemer. Forsøg ikke at anvende produktet med andre batterityper. Starthjælp med andre batterikemikalier kan resultere i skade, død eller skader på ejendom. Kontakt batteriproducenten, inden du forsøger at anvende starthjælp på batteriet. Benyt ikke starthjælp på et batteri, hvis du er usikker på batteriets specifikke kemi eller spænding. **Batteriet.** Det indbyggede lithium-ion batteri i produktet må kun udskiftes af

NOCO, og skal genbruges eller bortskaffes separat fra husholdningsaffald. Forsøg ikke at udskifte batteriet selv, og håndter ikke et beskadiget eller utæt lithium-ion batteri. Batteriet må ikke bortskaffes i husholdningsaffald. Bortskaffelse af batterier i husholdningsaffald er ulovligt i henhold til statlige og føderale miljølove- og forskrifter. Bring altid brugte batterier til din lokale genbrugscentral. Hvis batteriet er meget varmt, udsender en lugt, er deformeret, beskåret eller oplever eller viser en unormal forekomst, skal du straks stoppe al brug og kontakte NOCO. **Opladning af batterier.** Oplad produktet med den medfølgende 12V DC Adapter eller 56W XGC Strømadapter. Vær forsigtig med at bruge strømadaptere af lav kvalitet, da de kan udgøre en alvorlig elektrisk risiko, som kan medføre skader på personer, enhed og ejendom. Brug af beskadigede kabler eller opladere, eller opladning når der er fugt, kan medføre elektrisk stød. NOCO er ikke ansvarlig for brugerens sikkerhed ved brug af tilbehør eller forsyninger, der ikke er godkendt af NOCO. Strømadaptere kan blive varme under normalt brug, og langvarig hudkontakt kan forårsage personskade. Sørg altid for tilstrækkelig ventilation omkring strømadapterne, når du bruger dem. For at sikre maksimal batterilevetid, skal du undgå at oplade dit produkt i mere end en uge ad gangen, da overopladning kan forkorte batteriets levetid. Igennem tiden vil et ubrugt produkt blive afladet, og skal genoplades før brug. Afbryd produktet fra strømkilder når det ikke er i brug. Brug kun produktet til deres tilsigtede formål.

Medicinske apparater. Produktet kan udsende elektromagnetiske felter. Produktet indeholder magnetiske komponenter, der kan interferere med pacemakere, defibrillatorer eller andre medicinske anordninger. Disse elektromagnetiske felter kan interferere med pacemakere eller andre medicinske anordninger. Kontakt din læge før brug, hvis du har noget medicinsk udstyr, inklusive pacemakere. Hvis du har mistanke om, at produktet forstyrrer en medicinsk enhed, skal du straks stoppe brug af produktet og kontakte din læge. **Medicinske forhold.** Hvis du har en medicinsk tilstand, som du mener kunne være berørt af produktet, herunder men ikke begrænset til: anfald, besvimelser, øjeproblemer eller hovedpine, skal du kontakte din læge inden brug af produktet. Brugen af en kraftig, integreret lommelygte indeholder en fare overfor lysfølsomhed. Brug af lyset i Strobe-tilstand kan forårsage anfald hos personer med lysfølsom epilepsi, hvilket kan medføre alvorlig skade eller død. **Lys.** At kigge direkte ind i lommelygten kan resultere i permanent øjenskade. Produktet er forsynet med en højtydende LED-forfokuseret lampe, der udsender en kraftig stråle ved den højeste indstilling. **Rengøring.** Sluk for produktet, inden der foretages vedligeholdelse eller rengøring. Rengør og tør produktet omgående, hvis det kommer i kontakt med væske eller enhver form for forurenende stof. Brug en blød lintfri (mikrofiber) klud. Undgå at få fugt i åbninger. **Ekspllosive atmosfærer.** Overhold alle tegn og instruktioner. Brug ikke produktet i områder med eksplosionsfarlig atmosfære, herunder brændstofområder eller områder, der indeholder kemikalier eller partikler som korn, støv eller metalpulver. **Høje konsekvensvirkninger.** Dette produkt er ikke beregnet til brug, hvor produktfejl kan føre til skade, død eller alvorlig miljøskade.

Radiofrekvensinterferens. Produktet er designet, testet og fremstillet til at overholde reglerne for radiofrekvensemissioner. Sådanne emissioner fra produktet kan påvirke driften af andet elektronisk udstyr negativt og forårsage funktionsfejl. **Modelnummer: GB500.** Denne enhed overholder Del 15 i FCC-reglerne. Drift er underlagt følgende to betingelser: (1) denne enhed må ikke forårsage skadelig interferens, og (2) denne enhed skal acceptere enhver modtaget interferens, herunder interferens, der kan forårsage uønsket drift. **BEMÆRK:** Dette udstyr er blevet testet og fundet at overholde grænserne for en Klasse A digital enhed, i henhold til Del 15 i FCC-reglerne. Disse grænser er designet til at give rimelig beskyttelse mod skadelig interferens, når udstyret betjenes i et kommercielt miljø. Dette udstyr genererer, bruger og kan udstråle radiofrekvensenergi, og hvis det ikke installeres og anvendes i overensstemmelse med brugsanvisningen, kan det forårsage skadelig interferens med radiokommunikationen. Brug i et beboelsesområde vil sandsynligvis forårsage skadelig interferens, i hvilket tilfælde brugeren bliver forpligtet til at korrigere forstyrrelsen på egen bekostning.

Sådan bruges det

Trin 1: Oplad GB500-enheden.

GB500 leveres delvist opladet i kassen, og skal være fuldt opladet før brug. Tilslut GB500 med den medfølgende 12V adapter eller 56W XGC strømadapter til 12V IND porten. GB500 skal være i 12V-tilstand for at kunne oplades. Sørg for, at spændingsvalgsknappen er i 12V-stillingen inden opladningen. XGC 12V IND-porten er klassificeret til 12V, 5A for at sikre en sikker og effektiv opladning af det interne litiumbatteri. På grund af FCC-forskrifter anbefaler vi ikke at oplade og udlade enheden samtidig. Tiden for at genoplade en GB500 vil variere baseret på afladningsniveauet og den anvendte strømkilde. Aktuelle resultater kan variere på grund af batteribetingelser.

Genopladningstid: 6-8 timer

Brug af 12V DC-kabel eller Vekselstrømsadapter til genopladning af en fuldt afladet enhed. Genopladningstid varierer afhængigt af afladningsniveauet.

25% 50% 75% 100%



Ved opladning er opladningsniveauet for det interne batteri angivet med opladningsdioderne. LED'erne vil langsomt pulsere "Til" og "Fra", og bliver faste indtil alle fire opladningsdioder er tændte. Når batteriet er fuldt opladet, vil den grønne 100% LED vil være fast, og 25%, 50% og 75% Opladning LED'erne vil blive slukket. Fra tid til anden vil den grønne 100% LED pulsere, der viser, at vedligeholdelsesopladningen er i gang.

12V DC opladning (60W).

GB500 skal være i 12V-tilstand for at kunne oplades. Sørg for, at spændingsvalgsknappen er i 12V-stilling før opladning. Tilslut 12V-kablet til 12V IND-porten på GB500 og den anden ende til 12V-hanstikket. Sættes ind i et 12V AUX-stik (cigaretænderport).

AC opladning (56W).

GB500 skal være i 12V-tilstand for at kunne oplades. Sørg for, at spændingsvalgsknappen er i 12V-stilling før opladning. Tilslut 12V-kablet til 12V IND-porten på GB500 og den anden ende til 56W-strømadapteren til vekselstrøm (100-240VAC vægstik).

Tilslutning af dine 12V-enheder.

GB500 skal være i 12V-tilstand for at aktivere 12V UD. Tilslut 12V-kablet til 12V UD-porten på GB500, og den anden ende til 12V-hunstikket (12V AUX/cigaretænderport). Sættes i enhver standard 12V enhed (op til 15A) med et 12V-stik, og tænd for GB500 for at begynde opladning af din enhed.

Trin 2: Tilslut til batteriet.

Læs og forstå køretøjets brugervejledning omhyggeligt om specifikke forholdsregler og anbefalede metoder til start af køretøjet. Sørg for at bestemme batteriets spænding og kemi, ved at henvise til brugsanvisningen til batteriet, inden du bruger dette produkt. GB500 er kun beregnet til starthjælp for 12- og 24-volts blybatterier. Før du tilslutter batteriet, skal du kontrollere batterispændingen. Sørg for, at spændingsvalgsknappen er i den korrekte stilling (12V eller 24V), der passer til det batterisystem der modtager starthjælp. Skift aldrig spænding, mens enheden er

forbundet med batteriet. Skift kun søending, mens enheden er koblet fra. GB500 er ikke egnet til andre typer batterier. Identificer batteripolernes korrekte polaritet på batteriet. Den positive batteriterminal er typisk markeret med disse bogstaver eller symbolet (POS, P, +). Den negative batteriterminal er typisk markeret med disse bogstaver eller symbolet (NEG, N, -). Forbind ikke til karburator, brændstofledninger eller tynde plademetaldele. Nedenstående anvisninger vedrører et negativt jordsystem (mest almindeligt). Hvis dit køretøj er et positivt jordsystem (meget usædvanligt), følg nedenstående instruktioner i omvendt rækkefølge.

- 1.) Tilslut den negative (sorte) Boost Max Konnektor til den negative port på GB500
- 2.) Tilslut den positive (røde) Boost Max Konnektor til den positive port på GB500.
- 3.) Tilslut den positive (røde) Boost Max Konnektor den positive (POS, P, +) batteriterminal.
- 4.) Rens altid terminalerne før klemmerne forbindes. BEMÆRK: Forkerte eller snavsede terminaler kan forårsage røgdudvikling. Batterier med meget lav spænding vil også øge risikoen for røgdudvikling.
- 5.) Tilslut den negative (sorte) Boost Max Konnektor til den negative (NEG, N, -) batteriterminal eller køretøjets chassis. (At forbinde chassiset til jord er muligvis ikke egnet til at jumpstarte store applikationer.)
- 6.) Afbryd forbindelsen i omvendt rækkefølge, fjern den negative første (eller positive først for positive jordsystemer).

Trin 3: Kabel start.

- 1.) Sørg for, at alle køretøjets strømbelastninger (forlygter, radio, klima anlæg, osv.) er slukket, før du forsøger at starte bilen. Hvis køretøjet er udstyret med en hovedafbryder, sæt den i stillingen "on".
- 2.) Tryk på tænd/sluk-knappen for at begynde at starte. Alle lysdioder blinker, hvilket indikerer, at alle lysdioder fungerer korrekt. Hvis du er korrekt forbundet til batteriet, lyser White Boost-LED'en. Hvis batteriklemmerne er tilsluttet i omvendt tilstand, lyser den røde fejl-LED. Vend forbindelserne om, for at fjerne denne fejl, og hvorpå den White boost-LED lyser. White Boost-LED'en lyser, når GB500 er klar til at starte dit køretøj.
- 3.) Prøv at starte køretøjet. De fleste køretøjer starter straks. Visse køretøjer kan kræve, at GB500 forbindes i op til 30 sekunder før start. Hvis bilen ikke starter med det samme, skal du vente 20-30 sekunder og prøve igen. Prøv ikke mere end fem (5) start, efter hinanden, inden for en femten (15) minutters periode. Lad GB500 hvile i femten (15) minutter, før du forsøger at starte bilen igen.
- 4.) Når du har startet dit køretøj, skal du afbryde batteriklemmerne og fjerne GB500.

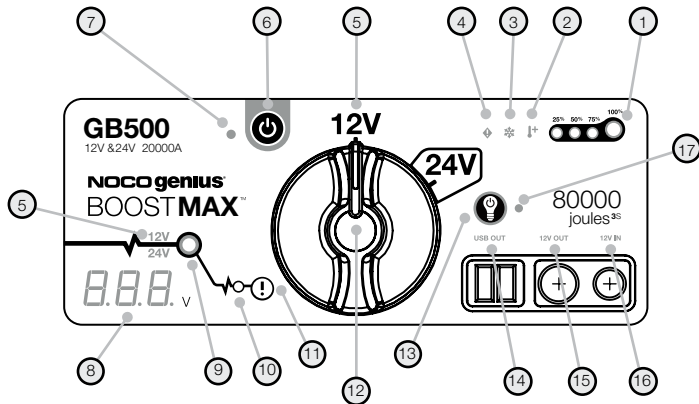
Lavspændingsbatterier og manuel overstyring.

GB500 er designet til at starte 12-volts blybatterier ned til 2-volt. Hvis dit batteri er under 2 volt, vil Boost-LED'en være "Off". Dette viser, at GB500 kan ikke registrere et batteri. Hvis du har brug for at starte et batteri under 2 volt, er der en Manuel overstyring-funktion, som giver dig mulighed for at tvinge "On" start-funktionen.

FORSIGTIG.




BRUG KUN DENNE TILSTAND MED EKSTRA FORSIGTIGHED. DENNE TILSTAND ER KUN FOR 12-VOLTS ELLER 24-VOLTS BLY-SYRE

BATTERIER. KONTROLLER, AT SPÆNDINGSVALGSKNAPPEN ER I DEN KORREKTE STILLING (12V ELLER 24V), NÅR BATTERISYSTEMET SÆTTES I GANG MED STARTHJÆLP. VÆR SÆRLIGT OPMÆRKSOM PÅ BATTERIERNES POLARITET INDEN BRUG AF DENNE TILSTAND. LAD IKKE DE POSITIVE OG NEGATIVE BATTERIKLEMMER RØRE HINANDEN, DA PRODUKTET VIL DANNE GNISTER. DENNE TILSTAND ANVENDER MEGET HØJ STRØM (OP TIL 20,000 AMPERE) DER KAN FORSAGE GNISTER OG HØJ VARME, HVIS IKKE ANVENDT ORDENTLIGT. HVIS DU ER USIKKER PÅ DENNE TILSTAND, FORSØG IKKE AT BENYTTE ENHEDEN, OG SØG PROFESSIONEL ASSISTANCE.



- 1. Internt batteriniveau Angiver** opladningsniveauet for det interne batteri.
- 2. Hot LED** lyser fast Rødt; enheden er fuldt operationel, men nærmer sig sin øvre temperaturgrænse. Blinker rødt; Enheden er for varm til at sætte i gang med starthjælp, men andre funktioner er stadig tilgængelige.
- 3. Cold LED** Lyser fast Blå; Enheden er fuldt operationel, men nærmer sig sin lavere temperaturgrænse. Blinker Blå; Enheden er for kold til at sætte igang med starthjælp, men andre funktioner er stadig tilgængelige.
- 4. Error LED** lyser rødt, hvis omvendt polaritet er detekteret.
- 5. Spændingsindikator** indikerer batteriets spænding, som GB500 er indstillet til. 12V lyser Hvid når i 12V-tilstand, 24V lyser Blå, når den er i 24V-tilstand.
- 6. Strømknap** trykkes for at slå enheden "Til" og "Fra".og slår manuelt Boost "Til". Kun til brug, når batteriet er for lavt til at blive registreret.
- 7. Strøm LED** lyser Hvid, når enheden er slået "Til".
- 8. Voltmeter.** Det indbyggede voltmeter læser spændingen af bilens batteri for forbedret diagnostik og fejlfinding. Voltmeteret vil automatisk læse spændingen for et batteri (eller batterisystem), når batteriklemmerne er tilsluttet - selvom enheden er slukket. Voltmeteret læser spændingen mellem ~3V til ~30V. Hvis det tilsluttede batteri er under 3V, vises ingenting. I denne situation er det sandsynligt, at der er en belastning på batteriet, f.eks. Forlygter eller en AC-ventilator der skal slukkes, før du forsøger at igangsætte bilen med starthjælp.
- 9. Boost LED** lyser Hvidt, når Boost er aktivt. Hvis enheden er korrekt tilsluttet et batteri, registrerer GB500 automatisk et batteri og går i Boost-tilstand (Hvid LED blinker, når manuel funktion på siden er aktiv).
- 10. Manuel overstyring LED** lyser fast Rødt, når manuel overstyring er aktiveret.
- 11. Manuel overstyringsknap** For at aktivere, tryk og hold nede i tre (3) sekunder. **ADVARSEL: Deaktiverer sikkerhedsbeskyttelse og slår manuelt Boost "Til". Kun til brug, når batteriet er for lavt til at blive detekteret.**
- 12. Spændingsvalgknap Drej** for at skifte mellem 12V og 24V-tilstand.
- 13. Lysdiodeknappen** skifter igennem 7 lysindstillinger på arbejdslampen: 100% > 50% > 10% > SOS > Blink > Strobe > Fra.
- 14. USB-ud LED** lyser Hvidt; USB-ud funktionen kan bruges i både 12V og 24V-tilstande.
- 15. USB-ud LED** lyser Hvidt; 12V-ud funktionen kan kun bruges i 12V-tilstand.
- 16. 12V-ind LED** lyser Hvidt; 12V-ind funktionen kan kun bruges i 12V-tilstand.
- 17. Lysdiode-LED'en** lyser Hvidt, når arbejdslampen er slået "Til", imens enheden er slukket.

Fejlfinding

Fejl	Årsag / løsning
 Fejl LED: Fast Rød	Omvendt polaritet detekteret. / Vend batteriladningerne om.
Fejl LED: Enkelt (1) Blink	Kortslutning fundet på batteriklemmer. / Fjern alle belastninger, og gentilslut klemmerne til batteriet.
Fejl LED: Dobbelt (2) Blink	Starthjælp periode større end ti (10) minutter. / Sluk enheden og tænd igen.
Fejl LED: Tredobbelt (3) Blink	Intern master switch fejl. / Sørg for, at spændingsvalgsknappen er korrekt placeret i 12V eller 24V-stillingen.
Fejl LED: Fireddobbelt (4) Blink	Dårlig battericelle fundet under opladning. / Afbryd enhed, kontakt NOCO support.
Fejl LED: Femddobbelt (5) Blink	XGC-UD overstrøm fejl. / Fjern belastningen fra XGC UD, og sluk derefter for enheden og tænd den igen.
 Hot LED: Fast	Enheden er fuldt operationel, men nærmer sig øvre temperaturgrænse. / Lad enheden køle af.
Hot LED: Blinker	Enheden er for varmt til at sætte i gang med starthjælp, men andre funktioner er stadig tilgængelige. / Tillad enheden afkøle.
Hot LED: Blinker, og alle LED'er slår fra	Enheden er for varm til at sætte i gang med starthjælp, eller til at bruge andre funktioner. / Lad enheden køle af og bring enheden i et køligere miljø.
 Cold LED: Fast	Enheden er fuldt operationel, men nærmer sig en lavere temperaturbegrænsning. / Lad enheden varme op.
Cold LED: Blinker	Enheden er for kold til at sætte i gang med starthjælp, men andre funktioner er stadig tilgængelige. / Lad enheden varme op.
Cold LED: Blinker, og alle LED'er slår fra	Enheden er for kold til at sætte i gang med starthjælp, eller til at bruge andre funktioner. / Lad enheden varme op, og flyt enheden til varmere omgivelser.
Teknisk note	Lithium-ion-batterier holder selv varmen, når de er i brug. Hvis LED-lampen for Kold fejl lyser, skal du forsøge at sætte i gang flere gange med starthjælp, for at opvarme batteriet og fjerne fejlen. Typisk er 3-4 x starthjælp tilstrækkelige til at varme batteriet op og fjerne fejlen.

Tekniske Specifikationer

Internt batteri:	Litium-ion (266Wh)
Top strøm bedømmelse:	20,000A
joules3S:	80,000 +
Driftstemperatur:	-30°C til +50°C (-22°F til +122°F)
Opladningstemperatur:	0°C til +40°C (32°F til +104°F)
Stuetemperatur:	-20°C til +50°C (-4°F til +122°F) (Gennemsnitstemperatur)
USB (Udgang):	dobbelt 5V, 2,1A
12V (Input):	12V, 5A
12V (Output):	12V, 15A
Kabinetbeskyttelse:	IP65 (m/porte lukket)
Køling:	Naturlig konvektion
Dimensioner (L x B x H):	12,25 x 8,25 x 2,25 tommer (311,15 x 209,55 x 57,15 mm)
Vægt:	7,5 pund (8,6 Kg)

DK

Garanti

NOCO Genius One (1) års begrænset garanti.

NOCO virksomheden ("NOCO") garanterer, at dette produkt ("Produktet") er fri for fejl i materiale og udførelse, i en periode på et (1) år fra købsdatoen ("Garantiperioden"). For mangler, der indberettes i garantiperioden, vil NOCO efter eget skøn og underlagt NOCOs tekniske supportanalyse enten reparere eller udskifte defekte Produkter. Udskiftningsdele og produkter vil blive brugt som nyt eller anvendeligt, sammenlignelige i funktion og ydeevne til den oprindelige del og garanteret for den resterende del af den oprindelige garantiperiode.

NOCO'S ANSVAR ER HERUNDER UDTRYKKELT BEGRÆNSET TIL UDSKIFTNING ELLER REPARATION. UNDER DEN MAKSIMALE LOVGIVNING, VIL NOCO IKKE VÆRE ANSVARLIG FOR KØBEREN AF PRODUKTET, ELLER NOGEN TREDJEPART, FOR SÆRLIGE, INDIREKTE, KONSEKVENTE ELLER EKSEMPLARISKE FØLGESKADER, INKLUSIVE, MEN IKKE BEGRÆNSET TIL; TABT ARBEJDSFORTJENESTE, EJENDOMSSKADE, ELLER PERSONSKADE RELATERET TIL PRODUKTET PÅ NOGEN MÅDE, UANSET ÅRSAG, SELVOM NOCO HAR KENDSKAB TIL MULIGHEDEN FOR SÅDANNE SKADER. GARANTIERNE HERI GÆLDER FOR ALLE ANDRE GARANTIER, INKLUSIVE, OG UDEN BEGRÆNSNING, DE UNDERFORSTÅEDE GARANTIER FOR SALGBARHED OG EGNETHED TIL ET BESTEMT FORMÅL, OG DEM DER OPSTÅR UNDER FORHANDLING. I TILFÆLDE AF

AT GÆLDENDE LOVE INDFØRER GARANTIER, BETINGELSER ELLER FORPLIGTELSE DER IKKE KAN UDELUKKES ELLER ÆNDRES, GÆLDER DENNE PARAGRAF I DET STØRSTE OMFANG DISSE LOVE TILLADER. Denne begrænsede garanti er udelukkende til gavn for den oprindelige køber af produktet fra NOCO eller fra en NOCO-godkendt forhandler eller distributør, og kan ikke overdrages eller videregives. For at kræve et garantibevis skal køberen: (1) anmode om og få et returnmærke autorisationsnummer ("RMA") og returneringsstedoplysninger ("Returneringsstedet") fra NOCO Support, via e-mail support@no.co eller ved at ringe til 1.800.456.6626 og (2) Indsende produktet, inklusive RMA-nummer, kvittering eller garantibegrænsning (gebyr kun påkrævet, hvis der ikke ydes kvittering) på 45% af MSRP af det defekte produkt ("Garantigebyr") [RMA vil inkludere gældende garantibeløb] til returneringsstedet. SEND IKKE PRODUKTET IND, UDEN GODKENDELSE AF EN RMA ANSAT FRA NOCO SUPPORT.

ORIGINALKØBEREN ER ANSVARLIG (OG SKAL FORBEREDE) ALLE EMBALLAGE OG TRANSPORTKOSTNINGER TIL AFSENDELSE AF PRODUKTER TIL SERVICE.

VED MANGEL PÅ OVERHOLDELSE AF OVENSTÅENDE ER DENNE BEGRÆNSEDE GARANTI ANNULLERET, OG GÆLDER IKKE FOR PRODUKTER, DER: a) misbruges, mishandles, udsættes for misbrug eller uforsigtig handling, ulykke, ukorrekt opbevares eller anvendes under ekstreme spændinger, temperaturer, stød eller vibrationer ud over NOCO's anbefalinger for sikker og effektiv brug; b) ukorrekt installeret, betjent eller vedligeholdt c) er modificeret uden udtrykkelig skriftligt samtykke fra NOCO d) er blevet adskilt, ændret eller repareret af andre end NOCO e) hvis mangler er anmeldt efter garantiperioden

DENNE BEGRÆNSEDE GARANTI DÆKKER IKKE: (1) Normal slitage; (2) kosmetisk skade, der ikke påvirker funktionaliteten eller (3) Produkter, hvor NOCO serienummeret mangler, ændres eller defaceres.

Du kan registrere dit NOCO-produkt online på: no.co/register. Hvis du har spørgsmål vedrørende din garanti eller dit produkt, skal du kontakte NOCO Support (e-mail og telefonnummer ovenfor) eller skrive til: NOCO Company, ved 30339 Diamond Parkway, # 102, Glenwillow, OH 44139, USA.

NOCO genius[®] BOOSTMAX[™]

GB500



FARE

Bruksveiledning og Garanti



LES OG GJØR DEG FORSTÅTT MED ALL SIKKERHETSINFORMASJON FØR DU BRUKER PRODUKTET. Dersom du ikke følger disse sikkerhetsinstruksjonene, kan det forårsake **ELEKTRISK STØT, EKSPLOSJON og/eller BRANN**; som kan medføre **ALVORLIGE PRODUKT-/PERSONSKADER og DØD.**



Risiko for elektrisk støt. Produktet er et elektrisk apparat som kan forårsake støt og alvorlige skader. Ikke klipp strømkabler. Ikke utsett apparatet for vann.



Sprengfare. Batterier som ikke overvåkes, ikke er kompatible eller som er skadet, kan eksplodere dersom de brukes med dette produktet. Sørg for at produktet alltid er under oppsyn under bruk. Aldri forsøk å jumpstarte et skadet eller frossent batteri. Produktet må kun brukes med batterier som er egnet og bruker anbefalt spenningsstyrke. Produktet må kun brukes på godt ventilerte områder.



Brannfare. Produktet er et elektrisk apparat som avgir varme og kan forårsake brann. Ikke dekk til produktet. Ikke røyk eller bruk apparater som kan avgir elektrisk gnist eller medføre brann under bruk av produktet. Oppbevar produktet unna antennerlige materialer.



Risiko for øyenskade. Produktet må kun brukes med vernebriller. Batterier kan eksplodere og følgelig fyre av skadelige partikler. Batterisyre kan irritere hud og øyner. Dersom syren kommer i kontakt med hud eller øyner, må påvirkede områder skylles med rent vann og det må tas kontakt med et giftkontrollsentral.



Risiko for sprengfarlige gasser. Det er farlig å jobbe i miljø med bly-syre. Batterier genererer normalt sprengfarlige gasser under ordinære forhold. For å minske risiko for batterieksplisjon må en følge alle sikkerhetsinstrukser, samt de som utgis av batteriproduzenten og produsenten av ethvert utstyr som brukes i nærheten av batteriet. Gå over alle advarselsmerker på produkter det gjelder og på motoren.

Norsk

**For ytterligere informasjon
og hjelp, besøk:**

www.no.co/support

Viktige sikkerhetsadvarsler

Forslag 65. Batterikoblinger, terminaler og relaterte tilbehør inneholder kjemikalier; blant annet bly. I delstaten California klassifiseres disse materialene som kreftfremkallende og det er bevist at de kan forårsake fosterskader og andre fruktbarhetskomplikasjoner. **Personlige forholdsregler.** Produktet må kun brukes hensiktsmessig. Produktet må brukes i nærheten av andre som er nærme nok til å høre deg eller hjelpe deg dersom det skulle oppstå en nødsituasjon. Sørg for at du har rent vann og såpe i nærheten, i tilfelle du kommer i kontakt med batterisyre. Bruk vernetøy og -briller til arbeid i nærheten av et batteri. Vask alltid hendene etter håndtering av batterier og relaterte materialer. Ikke håndter eller ha på deg noen metallgjenstander under arbeid med batterier; dette innebærer verktøy, armbåndsurs og smykker. Dersom en metallgjenstand treffer et batteri, kan det forårsake gnist eller kortslutning som kan medføre elektrisk støt, brann og/eller eksplosjon og eventuelt resultere i produkt-/personskader og død. **Mindreårig.** Dersom "Kundens" hensikt er å la en mindreårig bruke produktet, er det innforstått at den myndige kunden vil oppgi grundige instruksjoner og forholdsregler for bruk til enhver mindreårig bruker. "Kunden" anses ansvarlig for eventuelle forsømmelser på dette området ved eventuelle søksmål mot NOCO for ikke-hensiktsmessig bruk eller misbruk av en som er mindreårig. **Mindreårig.** Dersom "Kundens" hensikt er å la en mindreårig bruke produktet, er det innforstått at den myndige kunden vil oppgi grundige instruksjoner og forholdsregler for bruk til enhver mindreårig bruker. "Kunden" anses ansvarlig for eventuelle forsømmelser på dette området ved eventuelle søksmål mot NOCO for ikke-hensiktsmessig bruk eller misbruk av en som er mindreårig. **Håndtering.** Produktet skal håndteres forsiktig. Produktet kan bli skadet hvis det utsettes for slag og støt. Ikke bruk et produkt med skader; inkludert, men ikke begrenset til, sprekker i dekselet eller slitte kabler. Ikke bruk produktet med en slitt kabel. Produktet kan ta skade av fukt og væsker. Ikke håndter produktet eller dets elektriske komponenter i nærheten av noen form for væske. Produktet skal kun oppbevares og brukes i tørre omgivelser. Ikke bruk produktet dersom den har blitt våt. Dersom produktet blir vått under bruk, må det kobles fra batteriet umiddelbart og ikke brukes. Ikke dra i kabler for å koble fra produktet. **Modifiseringer.** Ikke forsøk å endre, modifisere eller reparere noen av produktets deler. Demontering av produkt kan medføre produkt-/personskader og død. Opphør all bruk av et produkt som har blitt skadet, får funksjonsfeil eller kommer i kontakt med væske, og ta kontakt med NOCO. Produktets garanti er ikke lenger gyldig dersom produktet har blitt modifisert. **Tilbehør.** Produktet kan kun brukes med NOCO-godkjent tilbehør. NOCO tar ingen ansvar for brukerens sikkerhet eller skader som forekommer ved bruk av tilbehør som ikke er godkjent av NOCO. **Omgivelser og forhold.** Sørg for at produktet ikke utsettes for batterisyre. Ikke bruk produktet på et lukket sted eller på et sted med begrenset ventilasjon. Batterier må ikke plasseres oppå produktet. Kabler skal plasseres slik at de ikke kommer i kontakt med bevegelige maskindeler (inkludert lokk og dører) og bevegelige motordeler (inkludert vifter og trinser), da dette kan medføre en potensielt skadelig eller dødelig risiko. **Driftstemperatur.** Produktet er utviklet for å virke i temperaturforhold mellom -30°C til 50°C. Ikke bruk apparatet utenfor dette temperaturomfanget. Aldri jumpstarte et frossent batteri. Opphør all bruk av produktet umiddelbart dersom batteriet blir varmere enn normalt. **Oppbevaring.** Ikke bruk eller oppbevar produktet på steder med mye støv eller andre luftbårne materialer. Produktet skal oppbevares på en flat og stabil overflate for å sikre at det ikke faller over ende. Produktet skal oppbevares under tørre forhold. Temperaturomfang for oppbevaring: -20 °C til 25 °C. Aldri overskrid 80°C, uansett situasjon. **Kompatibilitet.** Produktet er kompatibel med bare 12 volts og 24 volts blybatterier. Ikke prøv å bruke produktet med andre typer batterier. Hoppe fra andre batterikjemikalier kan føre til skade, død eller skade på eiendom. Kontakt batteriproduzenten før du prøver å hoppe, start batteriet. Ikke hopp et batteri hvis du er usikker på batteriets spesifikke kjemi eller spenning.

Batteriet. Produktets innebygde litium-ion-batteri skal kun skiftes ut av NOCO og kan ikke gjenvinnes med husholdningsavfall. Du må aldri forsøke å skifte ut batteriet selv eller håndtere et skadet eller lekkende litium-ion-batteri. Batteriet må aldri kasseres sammen med husholdningsavfall. Under statlige og føderale lover og forskrifter er det ulovlig å kassere batterier med husholdningsavfall. Oppbrukte batterier må kun kasseres på lokale batterigjenvinningsentre. Dersom produktets batteri har blitt overopphetet, deformert, avgir en duft, fått kutt eller gjennomgår eller viser tegn til unormal drift, ta kontakt med NOCO og opphør all bruk av produktet umiddelbart. **Batteriooplading.** Lad opp produktet med den medfølgende 12V DC-adapteren eller 56W XGC-strømadapteren. Vær forsiktig med å bruke strømkildeadaptere med lav kvalitet, da de kan føre til alvorlig elektrisk risiko som kan føre til personskade, enhet og eiendom. Bruk av skadede kabler eller ladere, eller lading når fuktighet er til stede, kan føre til elektrisk støt. NOCO er ikke ansvarlig for brukerens sikkerhet når du bruker tilbehør eller forsyninger som ikke er godkjent av NOCO. Strømadaptere kan bli varme under normal bruk, og langvarig hudkontakt kan forårsake personskade. Sørg for tilstrekkelig ventilasjon rundt strømadapteren når du bruker dem. For å sikre maksimal batterilevetid, unngå å lade produktet i mer enn en uke om gangen, da overladning kan forkorte batterilevetiden. Over tid vil et ubrukt produkt slippe ut og må lades opp før bruk. Koble fra produktet fra strømkilder når det ikke er i bruk. Bruk produktet kun for de tiltenkte formål. **Medisinske apparater.** Produktet kan avgi elektromagnetisk stråling. Produktet inneholder magnetiske komponenter som kan forstyrre pacemakere, defibrillatorer og andre medisinske apparater. Disse elektromagnetiske feltene kan forstyrre pacemakere og andre medisinske apparater. Ta kontakt med en lege før du bruker produktet dersom du bruker medisinske apparater; som f.eks. en pacemaker. Hvis du mistenker at produktet forstyrrer et medisinsk apparat, må du slutte å bruke produktet umiddelbart og ta kontakt med en lege. **Medisinske lidelser.** Hvis du lider av medisinske komplikasjoner som du tror produktet har en innvirkning på; blant annet i forbindelse med anfall, bevissthetstap ("sviming") og øyeplager (anstrengte øyner), må du ta kontakt med legen før du bruker produktet. Bruk av en integrert, kraftig lommelykt, innebærer risiko i forbindelse med lysfølsomhet. Når lyset benyttes i strobemodus, kan det forårsake anfall hos pasienter med fotosensitiv epilepsi – som videre kan føre til alvorlige skader eller død. **Lys.** En kan få permanente øyenskader av å stirre direkte på lyset fra lommelykten. Produktet er utstyrt med en kraftig, profokusert LED-lampe som avgir en kraftig lysstråle ved høyeste innstilling. **Rengjøring.** Produktet må skrus av før noen forsøker å rengjøre eller vedlikeholde den. Rengjør og tørk av produktet umiddelbart dersom det kommer i kontakt med væsker eller skittes til av noe annet. Bruk en myk, lofri klut (mikrofiber). Sørg for at det ikke kommer fukt på åpninger/sprekker. **Sprengfarlige omgivelser.** Følg alle varslinger og instruksjoner. Ikke operer produktet i miljø med sprengfarlige midler. Dette innebærer påfyllingssteder for drivstoff og rom med kjemikalier eller partikler som korn, støv eller metallstøv. **Aktiviteter med alvorlige følger.** Produktet er ikke tiltenkt for bruk i situasjoner hvor funksjonssvikt kan føre til skader, alvorlige miljøskader eller død. **Radiofrekvente forstyrrelser.** Produktet er designet, testet og produsert til å samsvare med reguleringer for radiosignaler. Produktets radiosignaler kan ha en negativ innvirkning på annet elektronisk utstyr og forårsake funksjonssvikt. **Modellnummer: GB500** Apparatet er i samsvar med FCC-regler, del 15. Apparatets drift er gjenstand for følgende: (1) apparatet kan ikke medføre skadelige forstyrrelser og (2) apparatet må kunne motta alle eventuelle forstyrrelser, inkludert forstyrrelser som kan forårsake funksjonssvikt. OBS: Apparatet har gjennomgått prøver som bekrefter at den overholder angitte begrensninger for Klasse A-digitale apparater, i samsvar med FCC-regler, del 15. Reguleringene er utviklet for å sikre en rimelig beskyttelse mot skadelige forstyrrelser dersom utstyret brukes i kommersielle miljø. Utstyret genererer, bruker og kan avgi radiofrekvenser, og kan dermed ha en skadelig innvirkning på radiokommunikasjoner dersom utstyret ikke installeres og brukes i samsvar med instruksjer. Utstyret vil mest sannsynlig forårsake skadelige forstyrrelser dersom det brukes i boligområder. I slike tilfeller er det på brukerens ansvar å korrigere forstyrrelsene.

Bruerveiledning

Trinn 1: Lade GB500.

GB500 kommer delvis ladet ut av esken og må være fulladet før bruk. Koble GB500 med den medfølgende 12V-adapteren eller 56W XGC-strømadapteren til 12V IN-porten. GB500 må være i 12V-modus for å bli ladet. Kontroller at spenningsvalgknappen er i 12V-stillingen før lading. XGC 12V IN-porten er vurdert til 12V, 5A for å sikre sikker og effektiv lading av det interne litiumbatteriet. På grunn av FCC-forskriftene, anbefaler vi ikke å lade opp og utlad enheten samtidig. Tiden for å lade opp en GB500 vil variere basert på utladningsnivået og strømkilden som brukes. Faktiske resultater kan variere på grunn av batteribetingelser.

Oppladningstid: 6-8 timer

GB500 må være i 12V-modus for å bli ladet. Kontroller at spenningsvalgknappen er i 12V-stillingen før lading. Koble 12V-kabelen til 12V IN-porten på GB500, og den andre enden til Male 12V-kontakten. Koble til en drevet 12V AUX-kontakt (sigarettenerport).

25% 50% 75% 100% Batteriets ladenivå indikeres av LED-lamper under opplading. Under oppladingen, pulserer de fire LED-lysene sakte av og på inntil de begynner å lyse uavbrutt. Når batteriet er fulladet, lyser den grønne 100%-lampen uavbrutt. 25%-, 50%- og 75%-lampene skrus av. 100%-lampen vil av og til pulserer for å indikere vedlikeholdslading.



12V DC lading (60W).

GB500 må være i 12V-modus for å bli ladet. Kontroller at spenningsvalgknappen er i 12V-stillingen før lading. Koble 12V-kabelen til 12V IN-porten på GB500, og den andre enden til Male 12V-kontakten. Koble til en drevet 12V AUX-kontakt (sigarettenerport).

AC Charging (56W).

The GB500 must be in 12V mode to be charged. Ensure the voltage selection knob is in the 12V position prior to charging. Connect the XGC 12V Cable to the 12V IN port on the GB500, and the other end of the 56W Power Adapter to AC power (100-240VAC Wall Outlet).

Tilkobling av 12V-enhetene.

GB500 må være i 12V-modus for å aktivere 12V OUT. Koble 12V-kabelen til 12V OUT-porten på GB500, og den andre enden til Female 12V-pluggen (12V AUX / Sigarettenerport). Plugg inn en standard 12V-enhet (opptil 15A) med en 12V-kontakt og slå på GB500 "På" for å starte enheten.

Trinn 2: Koble til batteriet.

Les nøye gjennom bilhåndboken og gjør deg forstått med spesifikke forholdsregler og anbefalinger i forbindelse med å jumpstarte bilen. Les om batteriets spenning og kjemiske komposisjon i den aktuelle bilhåndboken før du bruker produktet. GB500 er for hoppe som starter med 12 volt og 24 volt blybatterier. Før du kobler til batteriet, må du kontrollere batterispenningen. Kontroller at spenningsvalgknappen er i riktig posisjon (12V eller 24V) som matcher batterisystemet som hoppes opp. Sørg for at det er et 12-volts bly-syre-batteri før du kobler til. GB500-enheten er ikke egnet for andre

batterityper. Identifiser batteriterminalenes polaritet. Den elektriske spenningen må aldri endres når enheten er tilkoblet et batteri. Den elektriske spenningen kan bare endres når enheten er slått av. En positiv batteriterminal merkes som oftest med følgende bokstaver/symboler: "POS", "P", "+". En negativ batteriterminal merkes som oftest med følgende bokstaver/symboler: "NEG", "N", "-". Sørg for at koblinger ikke kommer i kontakt med forgasseren, drivstoffslanger eller deler av tynt metall/metalplater. Følgende instruksjoner gjelder for negativ jording (den vanligste). Dersom bilen din støtter positiv jording (svært sjeldent), må instruksene følges i omvendt rekkefølge.

- 1.) Koble den negative (svarte) Boost Max Connector til den negative porten på GB500.
- 2.) Koble den positive (røde) Boost Max Connector til den positive porten på GB500.
- 3.) Koble den positive (Røde) Boost Max Connector til den positive (POS, P, +) batteriet terminalen.
- 4.) Terminalene må alltid rengjøres før klemmene kobles til. MERK: Feilaktige jordinger eller skitne terminaler kan forårsake røyk. Sannsynligheten for røyk økes også ved batterier som har veldig lav elektrisk spenning.
- 5.) Koble den negative (svarte) Boost Max Connector til den negative (NEG, N, -) batteriet eller bilens chassis. (Det kan hende at jordingen til chassisen ikke er passende til å starthjelpe store apparater.)
- 6.) Når du kobler fra, kobler du av i omvendt rekkefølge, fjerner den negative første (eller positive først for positive jordsystemer).

Trinn 3: For å jumpstarte.

- 1.) Sørg for at alle elektriske komponenter (frontlykter, radio, klimaanlegg, osv.) er skrudd av på kjøretøyet før du forsøker å jumpstarte batteriet. Hvis kjøretøyet er utstyrt med en master-bryter, må denne slås «på».
- 2.) Trykk av-/på-knappen ("Power") for å jumpstarte. Samtlige LED-lamper lyser for å indikere at de er i orden. Når du har koblet til batteriet riktig, lyser LED-lampen "White Boost". Når batteriklemmene er koblet til i feil rekkefølge, lyser LED-lampen "Red Error". Koble til omvendt for å nullstille feilvarslingen. Batteriet er koblet til riktig når LED-lampen "White Boost" lyser opp. Når "White Boost" lyser, er GB500 klar til å jumpstarte kjøretøyet.
- 3.) Se om du får start på kjøretøyet. De fleste kjøretøy starter opp umiddelbart. Noen kjøretøy må være koblet til GB500 i opptil 30 sekunder før de kan starte. Vent 20-30 sekunder og prøv på nytt dersom kjøretøyet ikke starter med en gang. Du må aldri jumpstarte mer enn fem (5) ganger på rad i en femten (15) minutters periode. La GB500-enheten hvile i femten (15) minutter før du prøver å starte bilen på nytt.
- 4.) Når kjøretøyet starter opp, kan du koble fra batteriklemmene og pakke ned GB500-enheten.

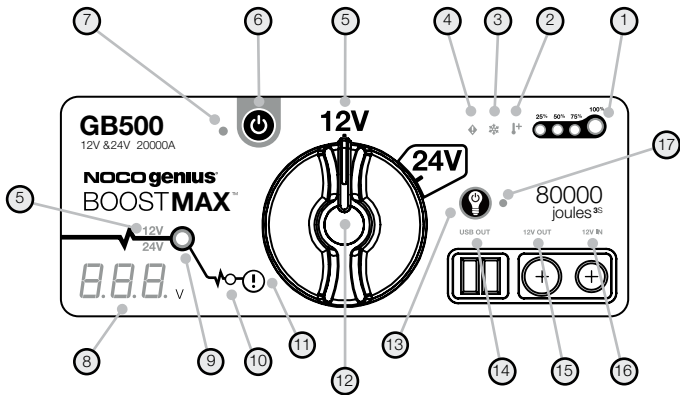
Lavspente batterier og manuell overstyring.

GB500 er utviklet for å jumpstarte fra 12-volts bly-syre-batterier og ned til 2-volts batterier. Hvis batteriet er under 2 volt, vil LED-lampen "Boost" være av. Dette indikerer at GB500-enheten ikke oppdager batteriet. Hvis du må jumpstarte et batteri under 2 volt, kan du benytte en manuell overstyringsfunksjon som gjør at du kan tvinge frem jumpstart-funksjonen.

OBS.




BRUK DENNE MODUSEN MED EKSTRAHJELP. DENNE MODUSEN ER BARE FOR 12-VOLTS ELLER 24-VOLTS BLY-SYRE BATTERIER. KONTROLLER AT SPENNINGSVELGEREN ER I RIKTIG POSISJON (12V ELLER 24V). SIKKER AT BATTERYSYSTEMET STOPPES. BESKYTTELSE MOT GNISTRING OG OMVENDT POLARITET DEAKTIVERES. DU MÅ VÆRE VELDIG BEVISST PÅ BATTERIETS POLARITET FØR DU BRUKER DENNE FUNKSJONEN. IKKE LA POSITIV OG NEGATIV BATTERIKLEMMEN KOMME I KONTAKT MED HVERANDRE, DA DETTE VIL

FØRE TIL AT PRODUKTET BEGYNNER Å GNISTRER. DENNE FUNKSJONEN BENYTTET EN SVÆRT HØY SPENNING (OPPTIL 20,000 AMPER) SOM KAN FORÅRSAKE GNISTRING OG KRAFTIG OPPVARMING HVIS NOE GJØRES FEIL. IKKE BRUK DENNE FUNKSJONEN HVIS DU ER USIKKER – OPPSØK HJELP AV PROFESJONELLE.



- 1 . Internt batterinivå Indikerer** ladningsnivået på det interne batteriet.
- 2. Hot LED lyser fast rødt;** enheten er fullt operativ, men nærmer seg øvre temperaturgrense. Blinker rødt; enheten er for varm til å hoppe i gang, men andre funksjoner er fortsatt tilgjengelige.
- 3. Kald LED lyser fast Blå;** enheten er fullt operativ, men nærmer seg lavere temperaturgrense. Blinkende Blå; enheten er for kald til å hoppe i gang, men andre funksjoner er fortsatt tilgjengelige.
- 4. Feil LED lyser rødt,** hvis omvendt polaritet oppdages.
- 5. Spenningsindikator Indikerer** batterispenningspenningen som GB500 er satt til. 12V lyser hvit når det er i 12V-modus, lyser 24V blått når det er i 24V-modus.
- 6. Strømbryter** Trykk for å slå på "On" og "Off".
- 7. Strømdiode Illuminates** White når enheten er "På".
- 8. Voltmeter** Den innebygde voltmeteret leser spenningen til bilens batteri for forbedret diagnostikk og feilsøking. Voltmåleren vil automatisk lese spenningen til et batteri (eller batterisystem) når batteriklemmene er tilkoblet - selv om enheten er slått av. Voltmeteret vil lese spenningen mellom ~ 3V til ~ 30V. Hvis det tilkoblede batteriet er under 3V, vises ingenting. I denne situasjonen er det sannsynligvis at det er en last (er) på batteriet, for eksempel forlykter eller en AC-vifte som skal slås av før du prøver å starte bilen.
- 9. Boost LED** lyser hvitt når Boost er aktiv. Hvis enheten er riktig koblet til et batteri, registrerer GB500 automatisk et batteri og går inn i Boost-modus (hvit LED blinker når funksjonen Manuell Override er aktiv).
- 10. Manuell overstyring LED** lyser fast rødt når manuell overstyring er aktivert.
- 11. Manuell overstyringsknapp** For å aktivere, trykk og hold inne i tre (3) sekunder. ADVARSEL: Deaktiverer sikkerhetsbeskyttelse og manuelt styrer Boost "On". Kun for bruk når batteriet er for lavt for å bli detektert.
- 12. Spenningsvalgknapp Vri** for å bytte mellom 12V og 24V-modus.
- 13 . Lysmodusknapp Bytter** arbeidslyset gjennom 7 lysmoduser: 100%> 50%> 10%> SOS> Blink> Strobe> Av.
- 14. USB ut LED** lyser hvit; USB Out-funksjonen kan brukes i både 12V og 24V modus.
- 15. 12V ut LED** lyser hvit; 12V ut-funksjonen kan bare brukes i 12V-modus.
- 16. 12V i LED** lyser hvit; 12V i funksjon kan bare brukes i 12V modus.
- 17. Lysmodus LED** lyser hvit når arbeidslyset er slått på, men enheten er slått av.

Problemløsning

Feil	Årsak/Løsning
 Feil LED: Solid Rød	Omvendt polaritet oppdaget. / Snu batterileddene.
Feil LED: Single (1) Flash	Kortslutning oppdaget på batteriklemmer. / Fjern alle laster, koble klemmene til batteriet igjen.
Feil LED: Dobbel (2) Flash	Hopp Startperiode større enn ti (10) minutter. / Slå av "Av" enheten, og slå deretter på "På".
Feil LED: Triple (3) Flash	Intern hovedbryterfeil. / Kontroller at spenningsvalgknappen er riktig plassert i 12V eller 24V-posisjonen.
Feil LED: Fire ganger (4) Flash	Dårlig battericelle oppdaget under ladning. / Slå av enheten, kontakt NOCO-støtte.
Error LED: Quintuple (5) Flash	XGC OUT overstrøm feil. / Fjern lasten fra XGC OUT, og slå av strømmen til "Slå på".
 Varm LED: Solid	Enheten er fullt operativ, men nærmer seg øvre temperaturgrense. / La enheten avkjøles.
Varm LED: Blinker	Enheten er for varm til å hoppe, men andre funksjoner er fortsatt tilgjengelige. / La enheten avkjøles.
Varm LED: Blinker deretter alle lysdioder Av	Enheten er for varm til å hoppe i gang eller bruke andre funksjoner. / La enheten avkjøles, og sett enheten i kjøler miljø.
 Kald LED: Solid	Enheten er fullt operativ, men nærmer seg lavere temperaturgrense. / La enheten varme opp.
Kald LED: Blinker	Enheten er for kald til å hoppe i gang, men andre funksjoner er fortsatt tilgjengelige. / La enheten varme opp.
Kald LED: Blinker deretter alle lysdioder Av	Unit is too cold to jump start or use other functions. / Allow the unit to warm up, and bring the unit into warmer environment.
Teknisk note	Lithium-ion-batterier er selv varme når de brukes. Hvis LED-lampen for kald feil lyser, kan du forsøke hoppe ved å starte flere ganger for å varme batteriet og fjerne feilen. Vanligvis er 3-4 hoppe starter følsomme for varmeBatteriet og fjern feilen.

Tekniske spesifikasjoner

Internbatteri	Lithium-Ion (Wh 266)
Toppstrøm:	20,000A
joule3S:	80,000+
Driftstemperatur:	-30°C til +50°C (-22°F til +122°F)
Ladetemperatur:	0°C til +40°C (32°F til +104°F)
Oppbevaringstemperatur:	-20°C til +50°C (-4°F til +122°F) (gj.snitt)
USB (uttak):	Dobbel 5V, 2,1A
12V (Input):	12V, 5A
12V (Output):	12V, 15A
Vernedeksel:	IP65 (m/koblinger stengt)
Nedkjøling:	Naturlig konveksjon
Dimensjoner (L x B x H):	12,25 x 8,25 x 2,25 tommer (311,15 x 209,55 x 57,15 mm)
Vekt:	19 Pund (8,6 Kg)

Garanti

NOCO Genius – Ettårig begrenset garanti.

The NOCO Company ("NOCO") garanterer at dette produktet ("Produkt") ikke vil være defekt i forbindelse med materialer og produksjonsarbeid i en periode på ett (1) år fra kjøpsdato ("Garantiperiode"). Dersom defekter rapporteres under Garantiperioden, vil NOCO – etter eget skjønn og på bakgrunn av tekniske analyser – enten reparere eller erstatte det defekte Produktet. Reservedeler/-produkter vil enten være nye eller pent brukte, og fungere og yte likt som originaldelen. Delen/produktet dekkes ut den originale garantiperioden.

NOCOS ANSVAR HERUNDER BEGRENSES UTTRYKkelig TIL PRODUKTERSTATNING ELLER REPARASJON. TIL DEN GRAD DET ER TILLATT AV LOVEN, SKAL NOCO IKKE HOLDES ANSVARLIG OVENFOR ENHVER KJØPER AV PRODUKTET ELLER TREDJEPART FOR NOEN SPESIELLE, INDIREKTE, FØLGELIGE ELLER EKSEMPLARISKE SKADER, INKLUDERT, MEN IKKE BEGRENSET TIL, TAPTE PROFITTER, SKADER VED PERSONER ELLER EIENDOM, SOM PÅ NOEN MÅTE RELATERES TIL PRODUKTET, UANSETT ÅRSAKENS NATUR, SELV MED NOCOS FOREGÅENDE KJENNSKAP TIL RISIKOEN FOR SLIKE SKADER. GARANTIENE ANGITT HERI ERSTATTER ALLE ANDRE GARANTIER, UTTRYKkelige, IMPLISERTE, LOVPÅLAGTE ELLER ANDRE, INKLUDERT, UTEN BEGRENSNING, IMPLISERTE SALGBARHETSGARANTIER OG EGNETHET TIL SÆRSKILTE FORMÅL, SAMT ANDRE SOM FREMKOMMER I FORBINDELSE MED SALG, BRUK ELLER HANDEL. DERSOM GARANTIER, VILKÅR ELLER FORPLIKTELSE SOM DET IKKE ER MULIG Å EKSKLUDERE ELLER MODIFISERE INNFØRES UNDER GJELDENE LOWERK, SKAL DETTE AVSNITTET FORTSATT VÆRE GYLDIG SÅ LANGT DET KAN TILLATES UNDER GJELDENE LOVER.

Denne begrensede garantien legges frem utelukkende til fordel for kjøperen som opprinnelig kjøpte Produktet fra NOCO eller en NOCO-godkjent forhandler eller distributør, og kan ikke tildeles eller overføres til andre. For å fremme et garantikrav må kjøperen: (1) sende forespørsel om, og anskaffe et RMA- eller returnnummer (RMA – "return merchandise authorization") og returadresse ("Return Location") fra NOCO Support (NOCOs kundesenter) ved å sende e-post til support@no.co eller ringe 1.800.456.6626; og (2) sende inn Produktet med RMA-nummer, kvittering eller et garantigebyr (kun ved manglende kvittering) på 45 % av det defekte produktets listepreis ("Garantigebyret") [RMA innebærer et gyldig Garantigebyrbeløp] til returadressen. IKKE SEND INN PRODUKTET UTEN FØRST Å HA ANSKAFFET ET RMA-NUMMER FRA NOCO SUPPORT.

OPPRINNELIG KJØPER ER ANSVARLIG FOR (OG MÅ FORHÅNDSBETALE) ALLE PAKKE- OG TRANSPORTUTGIFTER FOR SENDING AV PRODUKTER TIL GARANTIVERKSTEDET.

TIL TROSS FOR DET SOM ER NEVNT OVENFOR, ANSES DENNE BEGRENSEDE GARANTIEN SOM ANNULERT OG UGYLDIG FOR PRODUKTER SOM: (a) har vært misbrukt, mishandlet, utsatt for misbruk eller forsømmelig håndtering, uhell, blitt oppbevart feil eller brukt med ekstreme spenningsnivåer, temperaturforhold, støt eller vibrasjoner utover NOCOs anbefalinger for trygg og effektiv bruk; (b) feilaktig installasjon, drift eller vedlikehold; (c) er (eller har vært) modifisert uten uttrykkelig, skriftlig godkjenning fra NOCO; (d) har blitt demontert, endret eller reparert av andre enn NOCO; (e) det ikke har blitt rapportert om under Garantiperioden.

DENNE BEGRENSEDE GARANTIEN DEKKER IKKE: (1) vanlige slitasjer; (2) kosmetiske skader som ikke påvirker produktets funksjonalitet; eller (3) ethvert Produkt hvor NOCO-serienummeret mangler, er endret eller har blitt uleselig.

Du kan registrere NOCO-produktet ditt på Internett: no.co/register. Dersom du har spørsmål angående garantien din eller produktet, kan du ta kontakt med kundesenteret vårt NOCO Support (e-postadresse og telefonnummer finner du ovenfor) eller skrive til: The NOCO Company, at 30339 Diamond Parkway, #102, Glenwillow, OH 44139 USA.

NOCO genius[®] BOOSTMAX[™]

GB500



VAARATILANTEET

Käyttöohjeet ja takuu



LUE HUOLELLISESTI KAIKKI TURVAOHJEET ENNEN TÄMÄN TUOTTEEN KÄYTTÖÄ. Näiden ohjeiden noudattamatta jättäminen voi aiheuttaa **SÄHKÖISKUN, RÄJÄHDYKSEN, TULIPALON, tai voi aiheuttaa VAKAVAN VAMMAN, HENGENVAAARAN tai OMAISUUSVAHINKOJA.**



Sähköiskun vaara. Tuote on sähkölaite, joka voi aiheuttaa sähköiskun ja aiheuttaa vakavia vammoja. Älä leikkaa virtajohtoja. Älä upota laitetta veteen tai anna sen kastua.



Räjähdysvaara. Valvomattomat, yhteensopimattomat tai vahingoittuneet akut voivat räjähtää, jos niitä käytetään laitteen kanssa. Älä jätä käytön aikana laitetta valvomatta. Älä yritä apukäynnistystä vahingoittuneelle tai jäätyneelle akulle. Käytä laitetta vain akuille, joissa on suositeltu jännite. Käytä laitetta hyvin ilmastoituissa tiloissa.



Tulipalovaara. Tuote on sähkölaite, joka säteilee lämpöä ja voi aiheuttaa palovammoja. Älä peitä laitetta. Älä tupakoi tai käytä mitään sähköisen kipinän tai liekin lähdeä laitteen ollessa toiminnassa. Pidä laite poissa tulenaroista materiaaleista.



Silmävamman vaara. Käytä silmien suojausta laitetta käytettäessä. Akut voivat räjähtää ja aiheuttaa lentäviä roskia. Akkuhappo voi aiheuttaa silmien ja ihon ärsytystä. Huuhtelee välittömästi aineen kosketukseen joutuneet silmät tai iho juoksevalla puhtaalla vedellä.



Räjähdysvaara. Lyijyhapon läheisyydessä työskentely on vaarallista. Normaali akkutoiminta tuottaa räjähtäviä kaasuja. Vähentääksesi akun räjähdysvaaraa noudata kaikkia turvallisuusohjeita, joita akun valmistaja ja kaikkien muiden akun läheisyydessä käytettävien laitteiden valmistajat ovat julkaisseet. Tarkasta varoitusmerkinnät näistä tuotteista ja ajoneuvon moottorista.

Suomalainen

Saat lisätietoja
osoitteesta:

www.no.co/support

Tärkeitä turvallisuusvaroituksia

Esitys 65. Akut, päätteet ja niihin liittyvät lisävarusteet sisältävät kemikaaleja, myös lyijyä. Nämä materiaalit tiedetään aiheuttavan syöpää, sikiövaurioita ja muita lisääntymishäiriöitä. (Kalifornian osavaltio) **Henkilökohtaiset varoimet.** Käytä laitetta vain käyttötarkoituksen mukaisesti. Toisen henkilön tulisi olla äänietäisyydellä tai riittävän lähellä saadaksesi avun hätätilanteessa. Pidä puhdasta vettä ja saippuaa lähellä akkuhapon saastuttamisen varalta. Käytä täydellistä silmien suojausta ja suojavaatteita, kun työskentelet akun lähellä. Pese kätesi aina akkujen ja niihin liittyvien materiaalien käsittelyn jälkeen. Älä käsittele tai käytä mitään metalliesineitä, kun työskentelet akkujen kanssa, kuten työkaluja, kelloja tai koruja. Jos metalli putoaa akkuun, se saattaa aiheuttaa kipinöitä tai aiheuttaa oikosulun ja tästä voi seurata sähköisku, tulipalo tai räjähdys, josta taas voi aiheutua loukkaantumista, hengenvaaraa tai omaisuusvahinkoja. **Alaikäiset.** Jos "ostaja" on tarkoittanut tuotteen alaikäisen käytettäväksi, hankintaikäinen aikuinen sitoutuu antamaan yksityiskohtaiset ohjeet ja varoitukset alaikäisille ennen käyttöä. Jos näin ei tehdä, käyttö on yksinomaan "Ostajan" vastuulla, joka sitoutuu korvaamaan NOCO:lle alaikäisen tahattoman tai tahallisen väärinkäytön. **Tukehtumisvaara.** Lisätarvikkeet voivat aiheuttaa lapsille tukehtumisvaaran. Älä jätä lapsia vartioimatta laitteen tai lisätarvikkeiden läheisyydessä. Laite ei ole lelu. **Käsittely.** Käsittele laitetta varoen. Laite voi vaurioitua, jos se joutuu alltiiksi iskuille. Älä käytä vaurioitunutta laitetta, jos siinä on esimerkiksi halkeamia kotelossa tai vahingoittuneita kaapeleita. Älä käytä laitetta, jossa virtajohto on vaurioitunut. Kosteus ja nesteet voivat vahingoittaa laitetta. Älä käsittele laitetta tai muita sähköisiä osia minkään nesteen läheisyydessä. Säilytä ja käytä laitetta kuivissa tiloissa. Älä käytä laitetta, jos se on kastunut. Jos laite on jo käynnissä ja se kastuu, irrota se heti irti ajoneuvon akusta ja lopeta sen käyttö välittömästi. Älä irrota laitetta vetämällä kaapeleista. **Muutokset.** Älä yritä muuttaa, muokata tai korjata mitään laitteen osaa. Laitteen purkaminen voi aiheuttaa loukkaantumisen, hengenvaaran tai omaisuusvahinkoja. Jos laite vaurioituu, siinä on toimintahäiriöitä tai se joutuu kosketuksiin minkä tahansa nesteen kanssa, lopeta käyttö ja ota yhteys NOCO:n. Kaikki tuotteen muutokset mitätöivät takuun. **Lisätarvikkeet.** Tämä laite on hyväksytty käytettäväksi vain NOCO:n hyväksymien lisätarvikkeiden kanssa. NOCO ei ole vastuussa käyttäjän turvallisuudesta tai vahingoista, jos laitetta käytetään muiden kuin NOCO:n hyväksymien lisätarvikkeiden kanssa. **Työskentelypaikka.** Estä akkuhappoa joutumasta kosketukseen laitteen kanssa. Älä käytä laitetta suljetussa tilassa tai paikassa, jossa on rajallinen ilmanvaihto. Älä aseta akkua tuotteen päälle. Aseta käynnistyskaapelit siten, että vältyt vahingoilta, joita voivat aiheuttaa auton liikkuvat osat (kuten konepellit ja ovet), moottorien osat (kuten puhallinsiivekkeet, hihnat ja hihnapyörät) tai muut osat, jotka voivat aiheuttaa vaaratilanteen ja aiheuttaa loukkaantumisen tai hengenvaaran. **Käyttölämpötila.** Tämä laite on suunniteltu toimimaan -30 °C - 50 °C lämpötilassa. Älä käytä tämän lämpötila-alueen ulkopuolella. Älä yritä apukäynnistystä jäätynelle akulle. Lopeta laitteen käyttö välittömästi, jos käynnistettävä akku kuumenee liiaksi. **Varastointi.** Älä käytä tai säilytä laitetta tiloissa, jossa on suuri pölypitoisuus tai muuta ilmateitse kulkeutuvaa materiaalia. Säilytä laite tasaisella, tukevalla alustalla, jossa se ei ole altis putoamiselle. Säilytä laite kuivassa paikassa. Varastointilämpötila on -20 °C - 25 °C (keskimääräinen lämpötila). Älä koskaan ylitä 80 °C astetta missään olosuhteissa. **Yhteensopivuus.** Laite on yhteensopiva ainoastaan 12- ja 24-voltin lyijyakkujärjestelmien kanssa. Älä yritä käyttää laitetta minkään muun tyyppisen akun kanssa. Apukäynnistys muiden tyyppisten akkujen kanssa voi aiheuttaa loukkaantumisen, hengenvaaran tai omaisuusvahinkoja. Ota yhteys akun valmistajaan ennen kuin aiot käynnistää akun. Älä käynnistä akkua, jos et ole varma akun kemikaalityypistä tai jännitteestä. **Laitteen akku.** Tuotteen sisäänrakennetun litiumioniakun saa vaihtaa vain NOCO ja se on kierrätettävä tai hävitettävä erillään kotitalousjätteestä. Älä yritä vaihtaa

akkua itse, äläkä käsittele vahingoittunutta tai vuotavaa litiumioniakkua. Älä koskaan hävitä akkua kotitalousjätteen mukana. Akkujen hävittäminen kotitalousjätteiden mukana on lainvastaista ympäristölainsäädännön ja -säädösten mukaan. Vie aina käytetyt akut paikalliseen akkujen kierrätykseen. Jos laitteen akku on huomattavan kuuma, tuottaa hajua, on epämuodostunut, leikkaa tai toimii oudosti, lopeta välittömästi käyttö ja ota yhteyttä NOCO:on. **Laitteen akun lataaminen.** Lataa laitteen akku mukana toimitetulla 12V DC -virtasovittimella tai 56W XGC -virtasovittimella. Varo huonolaatuisten virtasovittimien käyttöä, sillä ne voivat aiheuttaa sähköiskun ja henkilö-, laite- tai omaisuusvahinkoja. Kosteissa olosuhteissa vahingoittuneiden kaapeleiden tai laturien käyttäminen tai lataaminen voi aiheuttaa sähköiskun. NOCO ei ole vastuussa käyttäjän turvallisuudesta käytettäessä lisätarvikkeita tai osia, joita NOCO ei ole hyväksynyt. Virtasovittimet voivat lämmentä normaalin käytön aikana ja pitkäaikainen ihokosketus voi aiheuttaa palovamman. Huolehdi aina riittävästä ilmanvaihdosta virtasovittimia käytettäessä. Varmista sisäisen akun käyttöikä mahdollisimman pitkäksi välttämällä yli viikon mittaista latausaikaa sillä yllälaatus voi heikentää sen käyttöaika. Jos et käytä laitetta, ajan myötä akun virta purkautuu ja akku on ladattava ennen käyttöä uudelleen. Jos et käytä laitetta, irrota laite virtalähteestä. Käytä laitetta vain sen suunniteltuun käyttötarkoitukseen. **Lääketieteelliset laitteet.** Laite voi säteillä sähkömagneettisia kenttiä. Laite sisältää magneettisia komponentteja, jotka voivat häiritä sydämentahdistimia, defibrillaattoreita tai muita lääkinällisiä laitteita. Nämä sähkömagneettiset kentät voivat häiritä sydämentahdistimia tai muita lääkinällisiä laitteita. Ota yhteyttä lääkäriisi ennen käyttöä, jos sinulla on lääketieteellisiä laitteita, kuten sydämentahdistimia. Jos epäilet, että laite häiritsee lääketieteellistä laitetta, lopeta tuotteen käyttö välittömästi ja ota yhteys lääkäriisi. **Terveydentila.** Jos sinulla on sellaisia lääketieteellisiä sairauksia, joihin tuotteen uskotaan vaikuttavan, kuten kouristuksia, pyörtymisiä, silmien rasitusta tai päänsärkyä, ota yhteys lääkäriisi ennen tuotteen käyttöä. Integroidun suuritehoisen taskulampun käyttö aiheuttaa valoherkkyystvaaran. Valon käyttö Strobe-tilassa (erittäin nopea vilkkuva valo) voi aiheuttaa kouristuksia henkilöille, joilla on valoherkkyysepilepsia ja voi siten aiheuttaa vakavan loukkaantumisen tai hengenvaaran. **Valo.** Suora katsominen taskulampun valoon voi johtaa pysyvään silmävammaan. Laite on varustettu suuritehoisella asetuskantalampulla, joka tuottaa suurimmassa asetuksessa voimakkaan valokeilan. **Puhdistus.** Sammuta laite ennen huoltoa tai puhdistusta. Puhdista ja kuivaa laite välittömästi, jos se joutuu kosketukseen nesteiden tai muiden epäpuhtauksien kanssa. Käytä pehmeää, nukkaamatonta (mikrokuutiiliinaa) kangasta. Vältä kosteuden joutumista aukkoihin. **Räjähdyksvaara.** Noudata kaikkia varoitusmerkkejä ja ohjeita. Älä käytä laitetta missään sellaisissa paikoissa, joissa on mahdollisesti räjähdysaltis ilmakehä, kuten polttoainesäiliöt tai alueet, jotka sisältävät kemikaaleja tai hiukkasia, kuten viljaa, pölyä tai metallijauheita. **Riskialtis käyttö.** Tätä laitetta ei ole tarkoitettu käytettäväksi, jos tuotteen vikaantumisen voi johtaa loukkaantumiseen, hengenvaaraan tai vakaviin ympäristövahinkoihin. **Radiotaajuuksien häiriöt.** Laite on suunniteltu, testattu ja valmistettu noudattamaan radiotaajuuspäästöjä koskevia määräyksiä. Tällaiset tuotteen päästöt voivat vaikuttaa kielteisesti muiden elektronisten laitteiden toimintaan, mikä voi aiheuttaa toimintahäiriöitä. **Mallin numero: GB500** Tämä laite noudattaa FCC:n sääntöjen osan 15 vaatimuksia. Käyttö edellyttää seuraavia kahta ehtoa: (1) tämä laite ei saa aiheuttaa haitallisia häiriöitä, ja (2) tämän laitteen on hyväksyttävä vastaanotetut häiriöt, mukaan lukien häiriöt, jotka voivat aiheuttaa ei-toivottua toimintaa. **HUOMAUTUS:** Tämä laite on testattu ja sen on todettu täyttävän luokan A digitaalisen laitteen rajat FCC-sääntöjen osan 15 mukaisesti. Nämä rajat arvot on suunniteltu tarjoamaan kohtuullinen suoja haitallisilta häiriöiltä, jos laitteita käytetään kaupallisessa ympäristössä. Tämä laite tuottaa, käyttää ja voi säteillä radiotaajuusenergiaa, ja jos sitä ei ole asennettu ja käytetty käyttöohjeen mukaisesti, se voi aiheuttaa haitallisia häiriöitä radioviestintään. Tämän laitteen käyttäminen asuinalueella voi aiheuttaa haitallisia häiriöitä, jolloin käyttäjän on korjattava häiriöt omalla kustannuksellaan.

Käyttöohje

Vaihe 1: Lataa GB500.

GB500 toimitetaan sisäinen akku vain osittain ladattuna ja se on ladattava täyteen ennen käyttöä. Liitä GB500 mukana toimitetulla 12V-virtasovittimella tai 56W XGC -virtasovittimella 12V IN -tuloporttiin. GB500 laite on oltava latauksessa 12V -tilassa. Varmista, että jännitteen valintanuppi on 12V -asennossa ennen latauksen aloittamista. XGC 12V IN tuloportin nimellisjännite on 12V, 5A, joka takaa turvallisen ja tehokkaan sisäisen litium-akun latauksen. FCC-määräysten vuoksi suosittelemme, että laitteen akkua ei ladata ja samanaikaisesti pureta latausta käyttämällä sitä virtalähteenä. GB500-laitteen uudelleenlatausaika vaihtelee purkaustason ja lataukseen käytettävän virtalähteen mukaan. Todelliset tulokset voivat vaihdella akun kunnon mukaan.

25% 50% 75% 100% Ladattaessa akun varaustaso ilmaistaan latausmerkkivaloilla. LED-valot vilkkuvat hitaasti "On" ja "Off" ja tulevat vakaiksi kun kaikki neljä latausvaloa ovat päällä. Kun akku on ladattu täyteen, vihreä 100%:n LED-valo syttyy ja 25%, 50% ja 75% latausvalot sammuvat "Off". Ajoittain vihreä 100%:n LED-merkkivalo palaa, mikä osoittaa, että huoltolataus on käynnissä.



12V DC lataaminen (60W).

GB500 laite on oltava latauksessa 12V -tilassa. Varmista, että jännitteen valintanuppi on 12V -asennossa ennen latauksen aloittamista. Liitä GB500 laitteessa 12V-kaapeli 12V IN -tuloporttiin ja toinen pää 12V-uropistokkeeseen. Työnnä toimivaan 12V AUX -pistokkeeseen (Savukkeensytyinportti).

Sähkövirran lataaminen (56W).

GB500 laite on oltava latauksessa 12V -tilassa. Varmista, että jännitteen valintanuppi on 12V -asennossa ennen latauksen aloittamista. Liitä GB500 laitteessa XGC 12V-kaapeli 12V IN -tuloporttiin ja toinen 56W-virtasovittimen pää sähkövirtaan (100-240VAC sähköpistoke).

Virran antaminen 12V-laitteille.

GB500-laite on oltava 12V-tilassa mahdollistaakseen 12V OUT -latauksen. Liitä GB500 laitteessa 12V-kaapeli 12V OUT -lähtöporttiin ja toinen pää 12V-naaraspistokkeeseen. (12V AUX / Savukkeensytyin). Kytke mikä tahansa standardi 12V pistokkeella varustettu 12V laite (aina 15A:n asti), käynnistä GB500 "On" ja anna virtaa laiteelle.

Vaihe 2: Yhdistä ajoneuvon akkuun.

Lue huolellisesti ajoneuvon käsikirjasta erityisistä varotoimista ja suositeltavista menetelmistä ajoneuvon apukäynnistykseen. Varmista tiedot akun jännitteestä ja kemikaaleista akun käsikirjasta ennen tämän laitteen käyttöä. GB500 on yhteensopiva ainoastaan 12- ja 24-voltin lyijyakkujärjestelmien apukäynnistykseen. Tarkista akun jännite ennen sen liittämistä laitteeseen. Varmista, että jännitteen valintanuppi on asetettu oikein (12V tai 24V) vastaamaan apukäynnistettävää akkujärjestelmää. Ennen kuin kytket laitteen akkuun, varmista, että sinulla on 12 voltin lyijy Akku. Ärge kunagi muutke pinget, kui seade on akuga ühendatud. Muutke pinget ainult siis, kui seade on välja lülitatud. GB500 ei sovelu mihinkään muuhun akkutyypipiin.

Uudelleenlatausaika: 6-8 tuntia

Lataa tyhjä akku uudelleen käyttämällä 12V DC kaapelia tai AC-virtasovittinta. Uudelleenlatausaika riippuu akun purkaustasosta.

Tunnista akun napojen oikea napaisuus. Positiivinen akun napa on tyypillisesti merkitty näillä kirjaimilla tai symboleilla (POS, P, +). Negatiivisen akun napa on tyypillisesti merkitty näillä kirjaimilla tai symboleilla (NEG, N, -). Älä tee mitään liitäntöjä kaasuttimeen, polttoaineletkuihin tai ohuisiin, metallisiin levyosiin. Alla olevat ohjeet ovat negatiiviselle maadoitusjärjestelmälle (yleisin). Jos ajoneuvossasi on positiivinen maadoitusjärjestelmä (hyvin harvinainen), noudata alla olevia ohjeita päinvastaisessa järjestyksessä.

- 1.) Kytke negatiivinen (musta) Boost Max -akkuipihti GB500-laitteen negatiiviseen porttiin.
- 2.) Kytke positiivinen (punainen) Boost Max -akkuipihti GB500-laitteen positiiviseen porttiin.
- 3.) Enne klambrite yhendamist puhastage alati klemmid. MÄRKUS: vigased ühendused või määrdunud klemmid võivad põhjustada suitsu. Väga madala pingega akud suurendavad ka suitsemise võimalust.
- 4.) Kytke positiivinen (punainen) Boost Max -akkuipihti akun positiiviseen (POS,P,+) napaan.
- 5.) Kytke negatiivinen (musta) Boost Max -akkuipihti akun negatiiviseen(NEG,N,-) napaan tai auton runkoon. (Šassii külge maandamine ei pruugi sobida suurte seadmete käivitamiseks.)
- 6.) Irrottaessasi akkupihetejä, tee se päinvastaisessa järjestyksessä poistamalla ensin negatiivinen akkuipihti (tai positiivinen positiivisille maadoitusjärjestelmille).

Vaihe 3: Apukäynnistys.

- 1.) Varmista ennen kuin yrität käynnistystä, että kaikki ajoneuvon toiminnot (ajovalot, radio, ilmastointi jne.) on sammutettu. Kui sõiduk on varustatud pealülitiga, keerake see asendisse "sees".
- 2.) Aloita apukäynnistys painamalla virtapainiketta (Power). Kaikki LED-valot vilkkuvat, mikä osoittaa, että kaikki LEDit toimivat oikein. Jos liitäntä akkuun on oikein, valkoinen Boost-merkkivalo syttyy. Jos akkupihdit on kytketty väärinpäin, punainen Virhe-merkkivalo syttyy. Poista virhe kääntämällä kytkennät oikeinpäin jolloin valkoinen Boost-merkkivalo syttyy. Valkoinen Boost-merkkivalo syttyy, kun GB500 on valmis aloittamaan ajoneuvosi apukäynnistykseen.
- 3.) Yritä käynnistää ajoneuvo. Useimmat ajoneuvot käynnistyvät heti. Jotkut ajoneuvot saattavat edellyttää, että GB500 on liitettynä 30 sekuntia ennen käynnistysyritystä. Jos ajoneuvo ei käynnisty heti, odota 20-30 sekuntia ja yritä uudelleen. Älä yritä enempää kuin viittä (5) peräkkäistä apukäynnistystä viidentoista (15) minuutin sisällä. Anna GB500-laitteen levätä viidentoista (15) minuutin ajan ennen kuin yrität käynnistää ajoneuvoa uudelleen.
- 4.) Ajoneuvon käynnistyttyä irrota akkupihdit ja poista GB500.

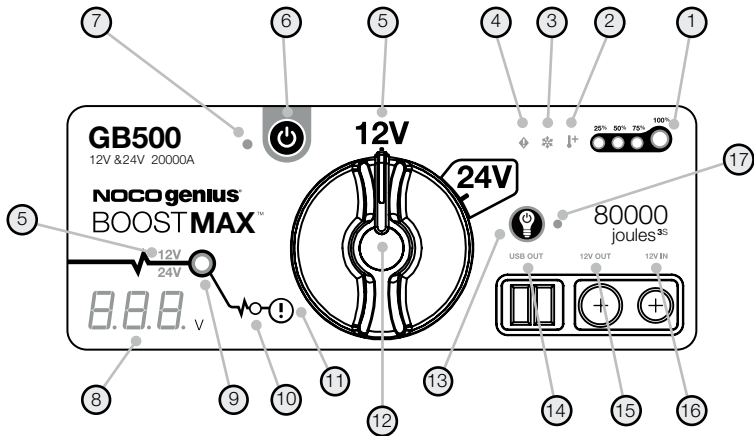
Pienijännitteiset akut ja manuaalinen ohitus.

GB500 on suunniteltu käynnistämään 12-volttiset lyijyakut aina 2-volttiin asti. Jos akun jännite on alle 2-volttia, Boost-LED ei syty ("Off"). Tämä osoittaa, että GB500 ei tunnista akkua. Jos joudut käynnistämään akun alle 2 voltista, käytä Manuaalinen ohitus -toimintoa, jonka avulla voit pakottaa apukäynnistykseen "On".

VAROITUS.




KÄYTÄ TÄTÄ TOIMINTOA ERITTÄIN HUOLELLISESTI. TOIMINTO ON TARKOITETTU VAIN 12 VOLTIN TAI 24 VOLTIN LYIJYAKUILLE. VARMISTA, ETTÄ JÄNNITTEEN VALINTANUPPI ON ASETETTU OIKEIN (12V TAI 24V) VASTAAMAAN APUKÄYNNISTETTÄVÄÄ AKKUJÄRJESTELMÄÄ. SEKÄ KIPINÄ- ETTÄ OIKEANAPAIJUUDEN SUOJAUKSET EIVÄT OLE KÄYTÖSSÄ. HUOLEHDI ETENKIN AJONEUVON AKKUKYTKENNÖISSÄ

OIKEANAPAIUUDESTA ENNEN TÄMÄN TILAN KÄYTTÖÄ. ÄLÄ ANNA POSTIVIISTEN JA NEGATIVISTEN AKKUPIHTIEN KOSKETTAA TAI KIINNITTÄÄ TOISIINSA, SILLÄ NE TUOTTAVAT KIPINÖITÄ. TÄSSÄ TILASSA KÄYTETÄÄN ERITTÄIN KORKEAA SÄHKÖVIRTAA (AINA 20,000 AMPS ASTI), MIKÄ VOI AIHEUTTAA KIPINÖITÄ JA KORKEITA LÄMPÖILOJA, JOS LAITETTA EI KÄYTETÄ OIKEIN. JOS ET OLE VARMA TÄMÄN TILAN KÄYTTÖSTÄ, ÄLÄ KOKEILE VAAN ETSI AMMATTITAITOISTA APUA.



- 1 . Sisäisen akun taso** Näyttää laitteen sisäisen akun lataustason.
- 2 . Kuuma LED** Palaa punaisena. Laite on täysin käytettävissä, mutta lähestyy ylimmän lämpötilan rajaa. Vilkkuva punainen. Laite on liian kuuma apukäynnistykseen, mutta käytössä ovat vielä muut toiminnot.
- 3 . Kylmä LED** Palaa sinisenä. Laite on täysin käytettävissä, mutta lähestyy alimman lämpötilan rajaa. Vilkkuva sininen. Laite on liian kylmä apukäynnistykseen, mutta käytössä ovat vielä muut toiminnot.
- 4 . Virhe LED** Palaa punaisena, jos virheellinen napaisuus on havaittu.
- 5 . Jännitteenosoitin** Ilmaisee, mille GB500 akkujärjestelmän jännite on tällä hetkellä asetettu. 12V palaa valkoisena 12V-tilassa, 24V palaa sinisenä 24V-tilassa.
- 6 . Virtapainike** Painamalla painiketta "On" ja "Off" käynnistää tai sulkee laitteen.
- 7 . Virta LED** Virtavalo palaa valkoisena laitteen ollessa päällä "On".
- 8 . Jännitemittari** Sisäänrakennettu jännitemittari lukee ajoneuvon akun jännitteen ja parantaa diagnostiikkaa ja vianmäärittystä. Jännitemittari lukee automaattisesti akkupihntien ollessa kytkettyinä minkä tahansa akun (tai akkujärjestelmän) jännitteen, silloinkin kun laite on sammutettu. Jännitemittari lukee jännitteen väliltä ~ 3V ja ~ 30V. Jos liitetyn akun jännite on alle 3 V, näyttöön ei tule mitään Tässä tapauksessa akussa on todennäköisesti muuta kuormitusta, kuten ajovalot tai tuuletin. Sulje ne ennen kuin yrität käynnistää ajoneuvoa.
- 9 . Boost LED** Käynnistysvalo palaa valkoisena pikakäynnistystilan ollessa aktiivinen. GB500 havaitsee akun automaattisesti ja siirtyy pikakäynnistystilaan (LED vilkkuu valkoisena, jos manuaalinen ohitustoiminto on käytössä).
- 10 . Manuaalinen ohitus LED** Palaa punaisena, kun manuaalinen ohitustoiminto on aktiivinen.
- 11 . Manuaalisen ohitustoiminnon painike** Ota manuaalinen ohitustoiminto käyttöön painamalla ja pitämällä painettuna tätä painiketta kolmen (3) sekunnin ajan. **VAROITUS: Toiminto poistaa turvasuojauksen ja manuaalisesti pakottaa pikakäynnistystilan päälle "On". Käytä tätä tilaa vain, jos akun lataustaso on niin matala, ettei sitä ole havaittu jännitemittauksessa.**
- 12 . Jännitteen valintanappi** Käännä katkaisinta joko 12V tai 24V tilaan.
- 13 . Taskulampputilan painike** Valopainikkeella voit vaihtaa erikoiskirkkaiden LED-valojen 7 eri valotilaa: 100% > 50% > 10% > SOS > Blink (vilkkuva)> Strobe (erittäin nopeasti vilkkuva)> Off (pois päältä)
- 14 . USB Out LED** Palaa valkoisena. USB lähtötoimintoa voidaan käyttää sekä 12V että 24V tilassa.
- 15 . 12V Out LED** Palaa valkoisena. 12V lähtötoimintoa voidaan käyttää vain 12V tilassa.
- 16 . 12V In LED** Palaa valkoisena. 12V tulotoimintoa voidaan käyttää vain 12V tilassa.
- 17 . Taskulampputilan LED** Palaa valkoisena kun työskentelyvalo on päällä "On", mutta laite on pois päältä.

Ongelmien Karttoittaminen

Virhe	Syy / Ratkaisu
 Virhe LED: Vakaa punainen	Väärä napaisuus havaittu / Vaihda akkuliitännät käänteisesti.
Virhe LED: Yksittäinen (1) välähdys	Akkulipihdeissä havaittu oikosulku. / Poista kaikki kuormitus, kiinnitä liittimet uudelleen akkuun.
Virhe LED: Kaksinkertainen (2) välähdys	Apukäynnistyksen kesto on pidempi kuin kymmenen (10) minuuttia. / Sammuta laite "Off". ja käynnistä uudelleen "On".
Virhe LED: Kominkertainen (3) välähdys	Sisäinen pääkytkimen vika. / Varmista, että jännitteen valintanuppi on oikein asetettu, joko 12 v tai 24V -asentoon.
Virhe LED: Nelinkertainen (4) välähdys	Viallinen akkukenno havaittu latauksen aikana. / Sammuta laite ja ota yhteys NOCO asiakastukeen.
Virhe LED: Viisinkertainen (5) välähdys	XGC OUT ylivirtavirhe. / Poista kuormitus XGC OUT -ulostulosta, sammuta laite "Off". ja käynnistä uudelleen "On".
 Kuuma LED: Vakaa	Laite on täysin käytettävissä, mutta lähestyy ylimmän lämpötilan rajaa. / Anna laitteen jäähtyä.
Kuuma LED: Vilkkuva	Laite on liian kuuma apukäynnistykseen, mutta käytössä ovat vielä muut toiminnot. / Anna laitteen jäähtyä.
Kuuma LED: Vilkkuva, jonka jälkeen kaikki LEDit Pois päältä	Laite on liian kuuma apukäynnistykseen tai muihin toimintoihin / Anna laitteen jäähtyä ja vie laite viileämpään tilaan.
 Kylmä LED: Vakaa	Laite on täysin käytettävissä, mutta lähestyy alimman lämpötilan rajaa. / Anna laitteen lämmetä.
Kylmä LED: Vilkkuva	Laite on liian kylmä apukäynnistykseen, mutta käytössä ovat vielä muut toiminnot. / Anna laitteen lämmetä.
Kylmä LED: Vilkkuva, jonka jälkeen kaikki LEDit Pois päältä	Laite on liian kylmä apukäynnistykseen tai muihin toimintoihin / Anna laitteen lämmetä ja vie laite lämpimään tilaan.
Tekninen huomautus	Lithium-akut lämpenevät käytössä itsestään. Jos Kylmä virhe-LED palaa, voit poistaa virheen ja lämmitteä akun yrittämällä apukäynnistystä useimman kerran. Yleensä 3-4 apukäynnistystä riittää akun lämmittämiseen ja virheen poistamiseen.

Tekniset tiedot

Sisäinen akku:	Lithium-ioni (Wattitunti 266)
Korkein virtateho	20,00A
joules3S:	80,000+
Käyttölämpötila:	-30°C – +50°C (-22°F - +122°F)
Latauslämpötila:	0°C – +40°C (32°F - +104°F)
Säilytyslämpötila:	-20°C – +50°C (Kesk. lämpö.)
USB (lähtö):	5V, 2,1A
12V (Input):	12V, 5A
12V (Output):	12V, 15A
Kotelosuojaus:	IP65 (w/Läpät suljettuna)
Jäähdytys:	Luonnollinen lämmön virtaus
Mitat (P x L x K):	12,25 x 8,25 x 2,25 tuumaa (311,15 x 209,55 x 57,15 mm)
Paino:	8,6 kg

Takuu

NOCO Genius yhden (1) vuoden rajoitettu takuu.

NOCO Company ("NOCO") takaa, että tässä tuotteessa ("Tuote") ei ole materiaali- ja valmistusvirheitä yhden (1) vuoden ajan ostopäivästä ("Takuuaika"). NOCO harkintansa mukaan ja NOCO:n teknisen tuen analyysin mukaisesti korjaa tai korvaa ne vialliset tuotteet, jotka on ilmoitettu takuuajana. Vaihdeettavat varaosat ja tuotteet ovat uusia tai käyttökelpoisia, jotka ovat vertailukelpoisia toiminnassa ja suorituskyvyssä alkuperäisen osan kanssa, ja niiden takuu on voimassa jäljellä olevan alkuperäisen takuuajan.

NOCO:N VASTUUVELVOLLISUUS SEURAAVASSA ON RAJOITETUSTI JOKO KORVAAVA TAI KORJAAVA. NOCO EI MISSÄÄN LAINSÄÄDÄNNÖN SALLIMISSA PUITTEISSA OLE VELVOLLINEN KELLEKÄÄN LAITTEEN OSTAJALLE TAI KOLMANNELLE OSAPOLELLE MISTÄÄN ERITYISISTÄ, EPÄSUORISTA, SEURANNAISISTA TAI ESIMERKILLISISTÄ VAHINGOISTA, MUKAAN LUKIEN, MUTTA EI RAJOITETTU, MENETETYT TULOT, OMAISUUS- TAI HENKILÖVAHINGOT, JOTKA LIITTYVÄT MITEN TAHANSA TUOTTEESEEN, KENEN TAHANSA AIHEUTTAMANA, VAIKKA NOCO OLISI TIETOINEN TÄLLAISTEN VAHINKOJEN MAHDOLLISUUDESTA. TÄSSÄ ESITETYT TAKUUT KORVAAVAT KAIKKI MUUT TAKUUT, NIMENOMAISET, EPÄSUORAT, LAKISÄÄTEISET TAI MUUTEN, MUKAAN LUKIEN, ILMAN RAJOITUKSIA, MYYNTIKELPOISUUDESTA OLETETUJ TAKUUT JA SOPIVUUDESTA TIETTYYN TARKOITUKSEEN, JA NE, JOTKA JOHTUVAT KÄYTTÖOIKEUDESTA, KÄYTTÖ- TAI KAUPPAKÄYTÄNNÖSTÄ. NIISSÄ TAPAUKSISSA JOSSA JOKIN SOVELLETTAVA LAKI MÄÄRÄÄ TAKUITA, EHTOJA TAI VELVOLLISUUKSIA JOITA EI VOIDA JÄTTÄÄ SOVELTAMATTA TAI MUUTTAA, TÄMÄ KOHTA ON VOIMASSA LAAJIMMIN KYSEISEN LAIN SALLIMISSA PUITTEISSA.

Tämä rajoitettu takuu tehdään yksinomaan NOCO:n tuotteen alkuperäisen ostajan tai NOCO:n hyväksymän jälleenmyyjän tai jakelijan eduksi, eikä sitä voida siirtää tai luovuttaa. Takuuvaatimuksen esittäminen edellyttää ostajalta: (1) pyytää ja hankkii palauttamisvaltuutuksen (RMA) numeron ja palautuksen sijaintitiedot ("Palautuspaikka") NOCO Support -tukikeskuksesta sähköpostitse osoitteesta support@no.co tai soittamalla numeroon 1.800.456.6626; ja (2) lähettää tuotteen palautuspaikkaan varustettuna RMA-numerolla, kuitilla tai takuumaksulla (maksu vaaditaan vain jos kuitti puuttuu), joka on 45 prosenttia virheellisen tuotteen valmistajan suosittelemasta kuluttajahinnasta MSRP:stä ("takuumaksu") [RMA sisältää sovellettavan takuumaksun suuruuden]. ÄLÄ LÄHETÄ TUOTETTA ENNEN PALAUTTAMISVALTUUTUKSEN (RMA) HANKKIMISTA NOCO:N TUKIKESKUKSESTA.

ALKUPERÄINEN OSTAJA ON VASTUUSSA (JA TÄYTYY MAKSAA ENNAKKOON) KAIKKI TAKUUPALVELUUN LÄHETETTYJEN TUOTTEIDEN PAKKAUS- JA KULJETUSKUSTANNUKSET.

TÄTÄ RAJOITETTUA TAKUUTA EI VOIDA KÄYTTÄÄ, EIKÄ SOVELLETA TUOTTEILLE, JOITA: a) käytetään väärin, käsitellään huonosti, kolhitaan tai käsitellään huolimattomasti, on osana onnettomuudessa, väärin varastoitu tai käytetty äärimmäisessä jännitteessä, lämpötilassa, sähköiskun aikana tai tärinässä, olosuhteissa, jotka ovat NOCO:n suositusten ulkopuolella turvalliselle ja tehokkaalle käytölle; (b) laittomasti asennettu, käytetty tai huollettu; c) on/oli muutettu ilman NOCO:n nimenomaista kirjallista lupaa; d) joku muu kuin NOCO on purkanut, muuttanut tai korjannut laitteen (e) joiden virheet on ilmoitettu takuuajana.

TÄMÄ RAJOITETTU TAKUU EI KATA: (1) normaalia kulumista; (2) kosmeettisia vaurioita, jotka eivät vaikuta toiminnallisuuteen; tai (3) tuotteet, joissa NOCO-sarjanumero puuttuu, on muutettu tai hävitetty.

Voit rekisteröidä NOCO-tuotteesi verkossa osoitteessa: no.co/register. Jos sinulla on kysyttävää takuusta tai tuotteesta, ota yhteyttä NOCO-tukeen (sähköposti ja puhelinnumero edellä) tai kirjoita osoitteeseen: The NOCO Company, at 30339 Diamond Parkway, #102, Glenwillow, OH 44139 USA.

NOCO genius[®] BOOSTMAX[™]

GB500



FARA

Användarhandbok och garanti



LÄS NOGGRANT IGENOM OCH BEKANTA DIG MED SAMTLIG SÄKERHETSINFORMATION INNAN DU ANVÄNDER PRODUKTEN FÖRSTA GÅNGEN. Undlåtenhet att följa säkerhetsanvisningarna kan leda till **ELSTÖT**, **EXPLOSION** eller **BRAND** som i sin tur kan leda till svår skada, dödsfall, eller egendomsskada.



Elstöt. Produkten ifråga är en elektrisk apparat som kan orsaka elstöt eller svår skada. Undvik att klippa elkablar. Undvik att doppa produkten i vatten eller att den blir blöt.



Explosion. Batterier som inte har kontrollerats, som inte är anpassade eller som är skadade kan explodera ifall de används med produkten. Lämna inte produkten övervakad under användning. Försök inte att få starta ett skadat eller fruset batteri med starkkablar. Använd produkten endast med batterier som har rekommenderad spänning. Använd endast produkten i väl ventilerade utrymmen.



Brand. Produkten är en elektrisk apparat som utger hetta och kan orsaka brannskada. Undvik att täcka över produkten. Undvik att röka och att använda något som kan utge gnista eller eld medan du använder produkten. Håll produkten på avstånd från brännbara material.



Skada mot ögon.

Ha på dig ögonskydd när du använder produkten. Batterier kan explodera och orsaka flygande spillror. Batterisyra kan orsaka klåda och irritation i ögonen och på huden. Utifall kontaminering inträffar i ögon eller på huden ska du tvätta det påverkade området under rinnande rent vatten samt kontakta giftkontroll omedelbart.



Explosiva gaser. Att arbeta i närheten av blysyra är farligt. Under normal användning framställer batterierna explosiva gaser. För att minska risken för att batteriet ska explodera se till att följa samtlig säkerhetsinformation och instruktioner. Detta innefattar även instruktioner och information från samtliga batteritillverkare och tillverkare vars utrustning är avsedd att användas i närheten av batterier. Läs igenom varningsmärkingar på dessa produkter och på motorn.

Svenska

För ytterligare information
och support, gå till:

www.no.co/support

Viktiga säkerhetsvarningar

Förslag 65. Batteriplats, terminaler och tillbehör innehåller kemikalier, inklusive bly. I delstaten Kalifornien är dessa ämnen kända för att orsaka cancer, fosterskada samt annan reproduktionsskada. **Säkerhetsåtgärd för person.** Använd produkten endast för dess ansedda bruk. Se till att någon finns tillräckligt nära för att höra dig och för att komma till din undsättning utfall att fara inträffar. Se till att du har vatten och tvål tillhands utfall att batterysyrekontaminering inträffar. Se till att ha på dig ögonskydd och skyddskläder när du arbetar i närheten av ett batteri. Tvätta alltid händerna efter att du rört batteriet och dess tillbehör. Undvik att röra vid eller ha på dig metallobjekt medan du arbetar med batterier. Detta inkluderar verktyg, armbandsur och smycken. El-chock, brand eller explosion till följd av en gnista eller kortslutning kan leda till skada, dödsfall eller egendomsskada. **Minderåriga.** Om "Köparen" har för avsikt att låta en minderårig använda produkten tar den myndiga köparen på sig fullt ansvar för att tillgodose den minderåriga med detaljerade instruktioner och varningsinformation innan den sistnämnda använder produkten. Undlåtenhet att göra detta innebär att den vuxna "Köparen" bär allt ansvar och att denne samtycker till att ersätta NOCO för att produkten inte används som ansett, eller att den används av en minderårig. **Kvävningsrisk.** Tillbehören kan komma att innebära kvävningsrisk för barn. Lämnda aldrig barn övervakade med produkten eller något av dess tillbehör. Denna produkt är inte en leksak. **Hantering.** Hantera produkten varsamt. Produkten kan skadas vid sammanstötning. Använd inte en skadad produkt, detta inkluderar men är inte begränsat till, sprickor i hylsan eller skadade sladdar. Använd inte en produkt vars elsladd är skadad. Använd inte produkten eller någon elektrisk komponent i närheten av vätska. Förvara och använd produkten på en torr plats. Använd inte en våt produkt. Om produkten blir blöt under användning ska du koppla bort den från batteriet och upphör att använda den omedelbart. Dra inte i sladdarna för att koppla ur produkten. **Modificeringar.** Försök inte att ändra, förändra eller reparera någon del av produkten. Om du tar isär produkten kan detta leda till skada, dödsfall eller egendomsskada. Om produkten blir skadad, slutar fungera eller kommer i kontakt med vätska ska du omedelbart sluta använda den och kontakta NOCO: All garanti upphör att gälla när du modifierar produkten. **Tillbehör.** Produkten är endast godkänd för att användas med NOCO-tillbehör. NOCO är inte ansvariga för användarsäkerhet eller skada som inträffar då tillbehör som inte godkänts av NOCO används. **Läge.** Se till att batterisyra inte kommer i kontakt med produkten. Använd inte produkten i ett instängt utrymme eller ett utrymme med begränsad ventilation. Placera inte ett batteri ovanpå produkten. Placera kabledningar så att du undviker att en olycka sker av en olyckshändelse genom att flytta delar i fordonet (inklusive motorhuv och dörra), motordelar (inklusive vassa blad, bälten och remskivor), eller annat som kan komma att bli en fara som kan orsaka skada eller dödsfall. **Temperatur för användning.** Produkten är tillverkad för användning i temperaturer mellan -30 C och 50 C. Använd inte i temperaturer som faller utanför dessa. Försök inte att starta ett fruset batteri med startkabel. Upphör omedelbart att använda produkten utfall att batterier blir extremt varmt. **Förvaring.** Undvik att använda eller förvara produkten där det är hög koncentration av damm i luften eller luftburna ämnen. Förvara produkten på en platt, säker yta där den inte riskerar att falla omkull. Förvara produkten på en torr plats. Förvara produkten i temperatur mellan -20 C och -25 C (medeltemperatur). Gå inte under några omständigheter över 80 C. **Kompatibel.** Produkten är endast kompatibel med 12- och 24 volt blysyrebatterisystem. Försök inte använda produkten med någon annan typ av batteri. Hjälpstart av batterier med annan kemisk uppbyggnad kan leda till personskada, dödsfall och egendomsskada. Kontakta batteritillverkaren innan du hjälpstartar ett batteri.

Hjälpstarta inte ett batteri om du inte är säker på dess specifika batterikemi eller voltantal. **Batteriet.** Produktens inbyggda litiumjonbatteri skall endast bytas ut av NOCO och måste återvinnas och slängas separat från hushållsavfall. Försök inte att byta ut batteriet själv och hantera inte ett litiumjonbatteri som är skadat eller som läcker. Släng aldrig batteriet i hushållssoporna. Att slänga batterier i hushållssoporna är olagligt. Använda batterier ska alltid lämnas över till din lokala batteriåtervinningsstation. Om batteriet i produkten blir alldeles för varmt, ger ifrån sig en illa lukt, är konstigt format eller verkar vara konstigt på något sätt ska du omedelbart sluta använda det och kontakta NOCO. **Batteriladdning.** Ladda produkten med medföljande 12V DC adapter och 56W XGC strömadapter. Undvik att använda laddare av låg kvalitet då det kan innebära stor elektrisk fara vilken kan leda till skada mot person, enhet eller egendom. Användning av trasiga kablar eller laddare, eller att ladda i fuktiga förhållanden kan leda till elchock. NOCO är inte ansvariga för användarens säkerhet om denne använder tillbehör eller utrustning som inte godkänts av NOCO. Strömadaptern kan bli varm under normalt bruk och om den kommer i kontakt med huden under en längre tid kan detta leda till kroppsskada. Se alltid till att det är tillräckligt med ventilation när strömadapterna används. För maximalt batteriliv ska du inte ladda enheten mer än en vecka åt gången. Överladdning kan orsaka förkortat batteriliv. Om produkten inte används laddas batteriet ut och måste då laddas upp innan användning. Koppla ur produkten från strömkällan när den inte används. Använd produkten endast för dess avsedda syfte. **Medicinska apparater.** Produkten kan avge elektromagnetiska fält. Produkten innehåller magnetiska komponenter som kan störa pacemakers, defibrillatorer eller andra medicinska anordningar. Dessa elektromagnetiska fält kan störa pacemakare eller annan medicinsk utrustning. Rådgrö med din läkare innan du använder produkten om du har någon medicinsk utrustning inklusive pacemakare. Om du misstänker att produkten stör en medicinsk enhet, sluta använda produkten omedelbart och kontakta din läkare. **Medicinskt tillstånd.** Om du har ett medicinskt tillstånd som du tror kan påverkas av produkten, inklusive men inte begränsat till; anfall, minnesluckor, uttröttning av ögonen eller huvudvärk, kontakta din läkare före användning av produkten. En integrerad högdriven ficklampa innebär en risk för ljuskänslighet. I Strobe Mode kan ljuset leda till anfall hos personer med ljuskänslig epilepsi, vilket kan leda till allvarlig skada eller dödsfall. **Ljus.** Att stirra in i ficklampan kan orsaka permanent ögonskada. Produkten har en stark LED-lampa som utger ett starkt ljus när den används på högsta inställningen. **Rengöring.** Stäng av och koppla ur strömmen innan rengöring eller skötsel av produkten. Gör rent och torka torrt produkten omedelbart utifall att den kommer i kontakt med vätska eller annan typ av främmande ämnen. Rengör med en mjuk mikrofiberduk. Se till att fukt inte kommer in i öppningarna. **Explosionsfarlig miljö.** Följ alla skyltar och instruktioner. Använd inte produkten i en potentiellt explosionsfarlig miljö, inklusive bränsleområde eller utrymmen där det finns kamikalier eller små partiklar som till exempel spannmål, damm eller metallpulver. **Höga konsekvenser.** Denna produkt är inte avsedd att användas där felet i produkten kan leda till skada, dödsfall eller allvarliga miljöskador. **Radiofrekvensinterferens.** Produkten är konstruerad, testad och tillverkad för att följa reglerna för radiofrekvensutsläpp. Sådana utsläpp från produkten kan påverka driften av annan elektronisk utrustning negativt och orsaka funktionsfel. **Modellnummer: GB500.** Denna produkt följer kraven i del 15 av FCC-reglerna. Användning lyder under följande villkor: 1) enheten inte orsakar skadliga störningar. 2) enheten är förberedd för inkommande störningar, inklusive sådana som kan inverka menligt på produktens funktion. **VIKTIGT:** Denna utrustning har testats och befunnits uppfylla kraven för digitala enheter av klass A, enligt kapitel 15 i FCC-reglerna. Dessa krav är avsedda att ge ett tillfredsställande skydd mot skadliga störningar vid användning i kommersiella miljöer. Utrustningen genererar, förbrukar och kan utstråla RF-energi. Om den inte installeras i enlighet med anvisningarna kan RF-energin orsaka störningar i radiokommunikationen. Om utrustningen används i bostadsmiljöer kan det hända att skadliga störningar uppstår. Det åligger i sådana fall användaren att på egen bekostnad åtgärda dessa.

Användarinstruktioner

Steg 1. Ladda GB500-enheten

GB500-enheten är delvis laddad när den tas ut ur boxen och behöver laddas upp helt innan den används. Koppla in GB500-enheten med hjälp av den medföljande 12V-adaptorn eller 56W XGC-strömadaptern till 12V-inporten. GB500-enheten måste vara inställd på 12V för att laddas. Försäkra att knappen för voltantal är inställd på 12V innan laddning påbörjas. XGC 12-inporten graderas som 12V, 5A för att försäkra att det interna litiumbatteriet laddas säkert och effektivt. På grund av de regler som fastställts av Federal Communication Commission (FCC) rekommenderar vi att du inte laddar batteriet under användning. Tiden för uppladdning varierar beroende på hur urladdat batteriet är och på strömkälla. Det faktiska resultatet beror på batteriets tillstånd.

Uppladdningstid: 6-10 tim.

Ladda upp batteriet med 12V DC- eller AC-strömadapter. Hastigheten för uppladdning beror på hur urladdad enheten var.

25% 50% 75% 100% Vid laddning indikeras laddningsnivån för det interna batteriet med hjälp av laddningslamporna. Lysdioderna blinkar sakta mellan 'På' och 'Av' och stannar tills alla fyra laddningslampor lyser. När batteriet är fulladdat kommer den gröna 100% LED att vara på och laddningslamporna för 25%, 50% och 75% slås av. Från och med då kommer den gröna 100% lysdioden att blinka, vilket indikerar att underhållsladdning uppstår.



12V DC Laddning (60W).

GB500-enheten måste vara i 12V-läge för att laddas. Försäkra dig om att knappen för voltantal är inställd på 12V innan laddning påbörjas. Koppla in XGC 12V-kabeln i 12V Inporten på GB500-enheten och den andra änden av 56W strömadaptern i AC-ström (Cigarettändare Port).

AC Laddning (56W).

GB500-enheten måste vara i 12V-läge för att laddas. Försäkra dig om att knappen för voltantal är inställd på 12V innan laddning påbörjas. Koppla in XGC 12V-kabeln i 12V Inporten på GB500-enheten och den andra änden av 56W strömadaptern i AC-ström (vägguttag med 100-124VAC).

Ladda upp 12V ENHETERNA

GB500-enheten måste vara i 12V-läge för att aktivera 12V UT. Koppla in 12V-kabeln i 12V-utporten på GB500-enheten och den andra änden i det feminina 12V-uttaget (12V AUX Cigaretttändaruttaget). Koppla in vilken annan standard 12V-enhet som helst (upp till 15A) med ett 12V-uttag och tryck "PÅ" på GB500-enheten för att ström ska börja gå till enheten.

Steg 2. Koppla in batteriet

Läs noggrant och förstå användarhandboken för fordonet om specifika försiktighetsåtgärder och rekommenderade metoder för att starta fordonet. Se till att du vet spänningen och kemi på batteriet genom att hänvisa till användarens bruksanvisning innan du använder den här produkten. GB500-enheten är endast tillverkad för att hjälpa starta 12- och 24-volt blysyrebatterisystem. Bekräfta att det är rätt voltantal på batterisystemet innan du kopplar in. Försäkra dig om att knappen för voltantal är inställd på rätt läge (12V eller 24V) och att det matchar batterisystemet som ska hjälpstartas.

Ändra aldrig spänningen när enheten är ansluten till ett batteri. Ändra endast spänningen när enheten är avstängd. GB500 är inte lämplig för någon annan typ av batteri. Identifiera den korrekta polariteten hos batteripolarna på batteriet. Den positiva batteriterminalen är vanligtvis markerad med dessa bokstäver eller symboler (POS, P, +). Den negativa batteriterminalen är typiskt markerad med dessa bokstäver eller symboler (NEG, N, -). Anslut inte till förgasaren, bränsleledningar eller tunna plåtdelar. Nedan följer instruktionerna för ett negativt marksystem (vanligaste). Om ditt fordon är ett positivt marksystem (mycket ovanligt), följ instruktionerna nedan i omvänd ordning.

- 1.) Koppla den negativa (svarta) Boost Max Connector till den negativa porten på GB500-enheten.
- 2.) Koppla den positiva (röda) Boost Max Connector till den positiva porten på GB500-enheten.
- 3.) Rengör alltid terminalerna innan du ansluter klämmorna. OBS: Felaktiga anslutningar eller smutsiga terminaler kan orsaka rök. Batterier med mycket låg spänning kommer också öka risken för rök.
- 4.) Koppla den positiva (röda) Boost Max Connector till den positiva (POS, P, +) batteriterminalen.
- 5.) Koppla den negativa (svarta) Boost Max Connector till den negativa (NEG, N, -) batteriterminalen eller till fordonets chassit. (Jordning på chassit kanske inte är lämplig för att snabbstarta stora tillämpningar.)
- 6.) När du kopplar ur, koppla ur i omvänd ordning. Ta bort den negativa först (eller positiva för positivt jordat system.)

Steg 3: Starta med startkablar

1. Kontrollera att alla fordonets strömbelastningar (strålkastare, radio, luftkonditionering, etc.) är avstängda innan du försöker få igång fordonet. Om fordonet är utrustat med en huvudströmbrytare, vrid den till läget "på".
2. Tryck på START-knappen för att börja. Samtliga LED-lampor kommer lysa för att indikera att LED-lampor fungerar som de ska. Det vita ljuset för LED-booster tänds om kopplingen till batteriet är korrekt. Det röda LED-ljuset för Fel tänds om klämmorna kopplats i tvärtom. Koppla in tvärtom för att ta hand om felet och det vita ljuset för LED-booster tänds. Det vita ljuset för LED-booster är på när GB500-enheten är redo att användas för att starta ditt fordon.
3. Testa att starta fordonet. I flesta fall startar fordonet på en gång. Med vissa fordon krävs det att GB500-enheten är ikopplad upp till 30 sekunder innan det startar. Om fordonet inte startar på en gång, vänta 20-30 sekunder innan du försöker igen. Försök inte mer än fem (5) gånger i rad inom en femton (15) minuters period. Låt GB500-enheten vila innan du försöker starta fordonet igen.
4. Ta bort klämmorna och GB500-enheten när du väl startat fordonet.

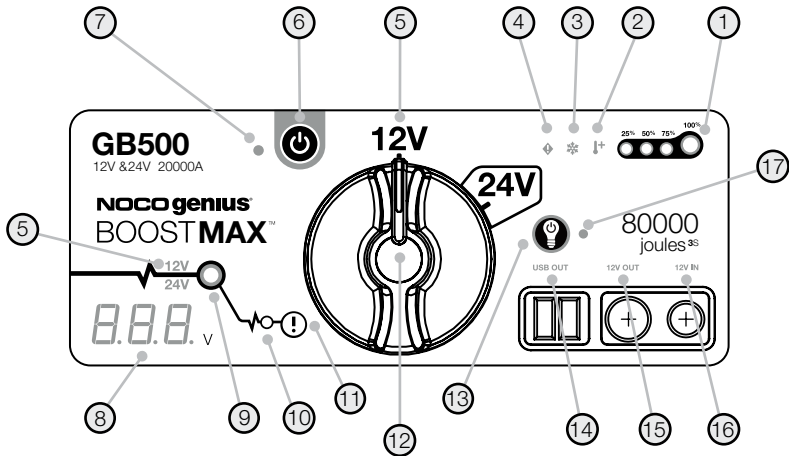
Lågspänningsbatteri och Manuell överstyrning.

GB-40 enheten är designad för att starta ett 12-volt blysyrebatteri och kan gå så lågt som till 2-voltsbatteri. Om ditt batteri är under 2 volt går boostern till "Av"-läget. Den gör detta för att indikera att GB500-enheten inte detekterar ett batteri. Om du behöver starta ett batteri som är mindre än 2 volt finns en inställning för manuell överstyrning vilket kan sätta enheten i "På"-läget och starta funktionen.

FÖRSIKTIGHETSÅTGÄRD.




ANVÄND DETTA LÄGE MED FÖRSIKTIGHET. DETTA LÄGE ÄR ENDAST FÖR 12- ELLER 24-VOLT BLYSYREBATTERIER. FÖRSÄKRA DIG OM ATT KNAPPEN FÖR VOLTANTAL ÄR INSTÄLLT PÅ RÄTT LÄGE (12V ELLER 24V) SÅ ATT DEN MATCHAR BATTERISYSTEMET SOM SKA HJÄLPSTARTAS. BÅDE SÄKERHETSFUNCTIONEN FÖR GNISTSKYDD OCH POLARITETSOMVÄNDNING ÄR AVAKTIVERADE AVAKTIVERADE. LÄGG NOGA MÄRKE TILL BATTERIPOLARITETEN INNAN DU ANVÄNDER DET HÄR LÄGET. SE TILL ATT DEN POSITIVA OCH NEGATIVA

BATTERIKLÄMMORNA INTE VIDRÖR VARANDRA ELLER IHOPKOPPLAS EFTERSOM PRODUKTEN GER IFRÅN SIG GNISTOR. I DETTA LÄGE ANVÄNDS HÖGSTRÖM (UPP TILL 20,000 AMPS) SOM KAN LEDA TILL GNISTOR OCH HÖG VÄRME OM DEN INTE ANVÄNDS PÅ RÄTT SÄTT. OM DU INTE ÄR SÄKER PÅ HUR DETTA LÄGE SKA ANVÄNDAS, FÖRSÖK INTE ATT ANVÄNDA DET UTAN SÖK PROFESSIONEL HJÄLP.



- 1. Intern batterinivå** visar nivån för batteriladdning.
- 2. LED-ljus för hetta lyser konstant rött:** Enheten är fullt laddad, men närmar sig gränsen för hur varm den kan vara. Blinkande rött: Enheten är för varm för hölpstart men andra funktioner kan fortfarande vara tillgängliga.
- 3. LED-ljus för kyla lyser konstant blått:** Enheten fungerar helt och hållet, men närmar sig gränsen för hur kall den kan vara. Blinkande blått ljus: Enheten är för kall för hjälpstart, men andra funktioner kan fortfarande vara tillgängliga.
- 4. LED-ljus för fel lyser rött** om omvänd polaritet har märkts av.
- 5. Voltantsindikatorn** visar voltantalet på batterisystemet som GB500-enheten har inställt för tillfället. 12V lyser vitt när dert är inställt på 12V och blått när det är inställt på 24V.
- 6. Vrid startknappen** för att slå "PÅ" och "AV"-enheten.
- 7. LED-ljuset lyser vitt** när enheten är "PÅ".
- 8. Voltmätare Den** inbyggda voltmätaren läser av voltantalet på fordonets batteri för ökad diagnostik och problemlösning. Voltmätaren läser automatiskt av batteriets eller batterisystemets voltantal när batteriklämmorna är ikopplade. Detta gäller även om enheten är avstånd. Voltmätaren kan läsa voltantal mellan 3V och 30V. Om det anslutna batteriet är under 3V visas inget. Det kan vara så att batteriets utsätts för extra börda, såsom att framljus eller AC-fläkten är igång och måste stängas av innan du försöker starta fordonet.
- 9. Boost LED-ljus** lyser vitt när Boost är på. Om enheten är rätt kopplad till ett batteri så känner GB500-enheten av batteriet automatiskt och övergår till Boost-läge. (Vitt LED-ljus lblinkar när Manuell överstyrningsfunktion är aktiv.)
- 10. LED-ljus för Manuell överstyrning** lyser konstant Rött när Manuell överstyrning är aktiverat.
- 11. Knapp för att aktivera Manuell överstyrning:** Tryck och håll ner tre (3) sekunder. **WARNING: Avaktiverarsäkerhetsskydd och sätter manuellt Boost i "PÅ"-läge. Ska endast användas när batteriet är för lågt för att upptäckas.**
- 12. Knapp för att välja voltantal** kan vridas för att välja mellan 12V och 24V-läg
- 13. Knapp för ljusläget kan växla ljuset mellan 7 olika lägen: 100% > 50% > 10% > SOS > Blinka > Strobe > Av.**
- 14. LED-ljus för USB UT** lyser vitt: USB utfunktionen kan användas både i 12V och 24V-läge.
- 15. LED-ljus för 12V UT** lyser vitt: 12V utfunktionen kan användas i 12V-läge.
- 16. LED-ljus för 24V IN** lyser vitt: 12V infunktionen kan användas i 12V-läge.
- 17. LED-ljus för ljusläge** lyser vitt när arbetarlampan är tänd men enheten är avstängd.

Felsökning

Fel	Anledning/Lösning
 LED-ljus för fel: Konstant rött LED-ljus för fel: En (1) blinkningar LED-ljus för fel: Två (2) blinkningar LED-ljus för fel: Tre (3) blinkningar LED-ljus för fel: Fyra (4) blinkningar LED-ljus för fel: Fem (5) blinkningar	Omvänd polaritet har upptäckts. / Vänd på batterianslutningarna. Kortslutning har upptäckts på batteriklämmorna. / Ta bort samtliga ledningar, anslut återigen klämmorna på batteriet. Det tar längre än tio (10) minuter att hjälpstarta. / Stäng AV enheten och sätt sedan PÅ igen. Fel på interna huvudknapp. / Försäkra att knappen för voltantal är inställd på 12V eller 24V-läge. Felaktig battericell har upptäckts under uppladdning. / Stäng an enhet, kontakta NOCO kundtjänst. XGC UT fel på överström. / Ta bort ledning från XGC UT, stäng sedan av enheten och sätt på den igen.
 LED-ljus för hetta: Konstant LED-ljus för hetta: Blinkande LED-ljus för hetta: Blinkar och sedan stängs alla LED-ljus av	Enheten är helt användbar men närmar sig gränsen för hur varm den kan vara. / Låt den svalna. Enheten är för varm för hjälpstart, men andra funktioner kan fortfarande vara tillgängliga. / Låt enheten svalna. Enheten är för varm för hjälpstart och för andra funktioner. / Låte enheten svalna och ta enheten till kallare utrymme.
 LED-ljus för kyla: Konstant LED-ljus för kyla: Blinkande LED-ljus för kyla: Blinkar och sedan stängs alla LED-ljus av	Enheten är helt användbar men närmar sig gränsen för hur kall den kan vara. / Låt den värmas upp. Enheten är för kall för att hjälpstarta, men andra funktioner kan vara tillgängliga. / Låt enheten värmas upp. Enheten är för kall för att hjälpstarta, men andra funktioner kan vara tillgängliga. / Låt enheten värmas upp och ta enheten till varmare utrymme.
Tekniskt notering	Litiumjonbatterier värms upp av sig själva under användning. Om LED-ljuset för kyla tänds kan du försöka hjälpstarta flera gånger för att värma upp batteriet och lösa problemet. Det brukar a 3-4 försök att hjälpstarta för att batteriet ska värmas upp tillräckligt och problemet lösas.

Tekniska specifikationer

Internt batteri:	Litiumjon (wWatttimma 266)
Högsta spänningsgrad:	20,000A
joules3S:	80,000+
Driftstemperatur:	-30 ° C till + 50 ° C (-22°F till +122°F)
Laddningstemperatur:	0°C till +40°C (32°F till +104°F)
Förvaringstemperatur:	-20°C till +50°C (medel temp.)
USB (utgång):	Dubbel 5V, 2,1A
12V (Input):	12V, 5A
12V (Output):	12V, 15A
Hylseskydd:	IP65 (med stängda portar)
Kyl:	Naturlig konvektion
Mått (L x B x H):	12,25 x 8,25 x 2,25 tum (311,15 x 209,55 x 57,15 mm)
Vikt:	8,6kg

Garanti

NOCO Genius ett (1) års begränsad garanti.

NOCO Company (" NOCO ") garanterar att denna produkt (" Produkten ") kommer att vara fri från defekter i material och utförande under en period av ett (1) år från inköpsdatumet (" Garantiperioden "). För fel som rapporteras under garantiperioden kommer NOCO, efter eget gottfinnande, och med förbehåll för NOCOs tekniska supportanalys, att reparera eller ersätta defekta produkter. Ersättningsdelar och produkter kommer att användas nytt eller användbart, jämförbara i funktion och prestanda till originaldelen Och motiveras för återstoden av den ursprungliga garantiperioden.

NOCO:S ANSVARSSKYLDIGHET ÄR UTRYCKLIGEN BEGRÄNSAD TILL UTBYTE ELLER REPARATION. I DEN MÅN LAGEN TILLÅTER SKALL NOCO INTE VARA ANSVARSSKYLDIG GENTEMOT KÖPARE ELLER TREDJE PART FÖR SPECIELL, BETYDANDE ELLER EXEMPLARISK SKADA, INKLUSIVE MEN INTE BEGRÄNSAD TILL UTEBLIVEN VINST, EGENDOMSSKADA ELLER PERSONSKADA SOM PÅ NÅGOT SÄTT HAR ATT GÖRA MED PRODUKTEN, OAVSETT HUR DET SKETT, ÄVEN OM NOCO HAR HAFT VETSKAP OM MÖJLIGHET FÖR SÅDAN SKADA. GARANTIerna SOM FINNES HÄRI KOMMER FÖRE ALLA ANDRA GARANTIER, UTRYCKLIGEN, UNDERFÖSTÅTT, LAGENLIGT ELLER ANNAT, INKLUSIVE OCH UTAN BEGRÄNSNING, DE UNDERFÖRSTÅDA GARANTIerna FÖR SÄLGBARHET OCH EGNETHET FÖR ETT SÄRSKILT SYFTE OCH DE SOM ÄR TILL FÖLJD AV FÖRHANDLING, ANVÄNDNING ELLER HANDELSPRAKSIS. I HÄNDELSE ATT EVENTUELLA TILLÄMPLIGA LAGAR PÅVERKAR GARANTIER, VILLKOR ELLER SKYLDIGHET SOM INTE KAN UTESLUTAS ELLER ÄNDRAS SÅ GÄLLER DETTA STYCKE I STÖRSTA MÖJLIGA OMFATTNING SOM SÅDAN LAG TILLÅTER.

Denna garanti är endast utformad till förmån för den ursprungliga köparen av Produkten från NOCO eller från en återförsäljare eller distributör som godkänts av NOCO, och den kan inte överlåtas. För att återropa ett garantiärende måste köparen: (1) begära och erhålla RMA-nummer och returplatsinformation ("Returplats") från NOCO kundtjänst genom att maila support@no.co eller ringa 1.800.456.6626, och (2) skicka produkten, inklusive RMA-nummer, kvitto eller garantiavgift (avgift krävs endast om inte kvitto skickas) 45% av MSRP för den defekta produkten ("Garantiavgiften") [RMA kommer att inkludera tillämpligt Garantiavgiftbelopp] till returplatsen. SKICKA INTE PRODUKT UTAN ATT FÖRST HA FÅTT EN RMA FRÅN NOCO:S KUNDTJÄNST.

DEN URPRUNGLIGA KÖPAREN ANSVARAR FÖR (OCH MÅSTE BETAL I FÖRVÄG) FÖR SAMTLIG FÖRPACKNINGS- OCH TRANSPORTKOSTNADER FÖR ATT SKICKA PRODUKTEN FÖR SERVICE ENLIGT GARANTIN.

TROTS DET OVANNÄMMDA UPPEHÖR OCH TÄCKER DENNA GARANTI INTE PRODUKTER SOM: 1. använts felaktigt eller misshandlats, utsatts för ovarlig hantering, olycka, felaktig förvaring eller som utsatts för användning under extremt hög spänning, temperatur, elstöt, eller skakning som är utöver vad NOCO:s rekommendationer för söker och effektiv användning. 2. felinställning, felanvändning eller olämpligt underhåll. 3. har modifierats utan skriftligen fått godkänt av NOCO. 4. har tagit isär, föändrats eller reparerats av någon annan än NOCO. 5. har defekter och som rapporterats efter garantiperioden är slut.

DENNA BEGRÄNSADE GARANTI TÄCKER INTE: (1) Normalt slitage; (2) kosmetisk skada som inte påverkar funktionaliteten Eller (3) Produkter där NOCO serienummer saknas, ändras eller defaceras. Du kan registrera din NOCO-produkt online på: no.co/register. Om du har några frågor angående din garanti eller produkt, kontakta NOCO Kundtjänst (email och telefonnummer ovan) eller skriv till: NOCO Company, på 30339 Diamond Parkway, # 102, Glenwillow, OH 44139 USA.

NOCO genius[®] BOOSTMAX[™]

GB500



ΚΙΝΔΥΝΟΣ

Οδηγός Χρήστη & Εγγύηση



ΔΙΑΒΑΣΤΕ ΚΑΙ ΚΑΤΑΝΟΗΣΤΕ ΟΛΕΣ ΤΙΣ ΠΛΗΡΟΦΟΡΙΕΣ ΑΣΦΑΛΕΙΑΣ ΠΡΙΝ ΧΡΗΣΙΜΟΠΟΙΗΣΤΕ ΤΟ ΠΡΟΪΟΝ. Μη συμμόρφωση με αυτές τις οδηγίες για την ασφάλεια μπορεί να οδηγήσει σε **ΗΛΕΚΤΡΟΠΛΗΞΙΑ, ΕΚΡΗΞΗ, ΠΥΡΚΑΓΙΑ, η οποία ενδέχεται να οδηγήσει σε ΣΟΒΑΡΟ ΤΡΑΥΜΑΤΙΣΜΟ, ΘΑΝΑΤΟ, ή ΥΛΙΚΕΣ ΖΗΜΙΕΣ.**



Ηλεκτροπληξία. Το προϊόν είναι μια ηλεκτρική συσκευή από την οποία μπορεί να προκληθεί ηλεκτροπληξία και να προκαλέσει σοβαρό τραυματισμό. Μην κόψετε τα καλώδια ρεύματος. Μην το εμβαπτίζετε σε νερό ή επιτρέψετε να βραχεί.



Έκρηξη. Μπαταρίες μη ελεγμένες, μη συμβατές, ή κατεστραμμένες μπορούν να εκραγούν αν χρησιμοποιηθούν με το προϊόν. Μην αφήνετε το προϊόν χωρίς επίβλεψη όταν βρίσκεται σε λειτουργία. Μην επιχειρήσετε να εκκινήσετε στιγμιαία μια χαλασμένη ή μια μπαταρία που έχει παγώσει. Χρησιμοποιείται το προϊόν μόνο με μπαταρίες συνιστώμενης τάσης. Λειτουργείτε το προϊόν σε καλά αεριζόμενο χώρο.



Πυρκαγιά. Το προϊόν είναι μια ηλεκτρική συσκευή που εκπέμπει θερμότητα και είναι ικανή να προκαλέσει εγκαύματα. Μην καλύπτετε το προϊόν. Μην καπνίζετε και μην χρησιμοποιείτε οποιαδήποτε πηγή ηλεκτρικού σπινθήρα ή φλόγας κατά τη λειτουργία του προϊόντος. Να φυλάσσεται το προϊόν μακριά από εύφλεκτα υλικά.



Τραυματισμός ματιών. Φοράτε γυαλιά προστασίας κατά τη λειτουργία του προϊόντος. Οι μπαταρίες μπορούν να εκραγούν και να προκαλέσουν την εκτίναξη θραυσμάτων. Το οξύ της μπαταρίας μπορεί να προκαλέσει ερεθισμό των ματιών και του δέρματος. Στην περίπτωση της μόλυνσης των οφθαλμών ή του δέρματος, πλύνετε καλά την πληγείσα περιοχή με τρεχούμενο καθαρό νερό και επικοινωνήστε με το κέντρο αντιμετώπισης δηλητηριάσεων.αμέσως.



Εκρηκτικά αέρια. Εργασία κοντά σε περιοχή μολύβδου-οξέος είναι επικίνδυνο. Οι μπαταρίες εκλύουν εκρηκτικά αέρια κατά την διάρκεια της κανονικής λειτουργίας τους. Για να μειώσετε τον κίνδυνο έκρηξης της μπαταρίας, ακολουθήστε τις πληροφορίες οδηγιών ασφαλείας και εκείνες που δημοσιεύονται από τον κατασκευαστή της μπαταρίας και τον κατασκευαστή οποιουδήποτε εξοπλισμού που προορίζεται να χρησιμοποιηθεί στην περιοχή κοντά στην μπαταρία. Επανεξετάστε προσεκτικά τις σημάνσεις σε αυτά τα προϊόντα και στον κινητήρα.

Ελληνικά

GR

Για περισσότερες πληροφορίες και υποστήριξη επισκεφθείτε:

www.no.co/support

Σημαντικές Προειδοποιήσεις Ασφαλείας

Πρόταση κανονισμού 65 (ΗΠΑ). Οι πόλοι, οι ακροδέκτες και τα σχετικά εξαρτήματα των μπαταριών περιέχουν χημικές ουσίες, συμπεριλαμβανομένου μολύβδου. Αυτά τα υλικά είναι γνωστά στην Πολιτεία της Καλιφόρνια ότι προκαλούν καρκίνο, και γενετικές ανωμαλίες και άλλες βλάβες στην αναπαραγωγή.

Προσωπικές προφυλάξεις. Χρησιμοποιείτε το προϊόν μόνο για το σκοπό που προορίζεται. Κάποιος θα πρέπει να είναι εντός της εμβέλειας της φωνής σας ή αρκετά κοντά για να έρθει να σας βοηθήσει σε περίπτωση ανάγκης. Να έχετε στη διάθεσή σας μια ποσότητα καθαρού νερού και σαπουνιού πλυσίον σας σε περίπτωση μόλυνσης από οξύ μπαταρίας. Να φοράτε πλήρη προστατευτικά γυαλιά ματιών και προστατευτικό ρουχισμό όταν εργάζεστε κοντά σε μια μπαταρία. Πάντα να πλένετε τα χέρια σας μετά το χειρισμό μπαταριών και συναφών υλικών. Μην χειρίζεστε ή φοράτε τυχόν μεταλλικά αντικείμενα όταν εργάζεστε με μπαταρίες συμπεριλαμβανομένων, εργαλείων, ρολογιών ή κοσμημάτων. Αν μεταλλικό αντικείμενο πέσει πάνω στη μπαταρία, μπορεί να προκαλέσει ή να δημιουργήσει ένα βραχυκύκλωμα που να έχει ως αποτέλεσμα την πρόκληση ηλεκτροπληξίας, πυρκαγιάς, έκρηξης, η οποία μπορεί να έχει ως αποτέλεσμα τραυματισμό, θάνατο ή υλικές ζημιές. **Ανήλικα.** Εάν το προϊόν προορίζεται από τον "Αγοραστή" για να χρησιμοποιείται από ένα ανήλικο, ο ενήλικας αγοραστής συμφωνεί να παράσχει λεπτομερείς οδηγίες και προειδοποιήσεις σε κάθε ανήλικο πριν από τη χρήση. Η μη τήρηση των ανωτέρω είναι αποκλειστική ευθύνη του "Αγοραστή", ο οποίος συμφωνεί να απαλλάξει από οποιεσδήποτε απαιτήσεις τη NOCO για τυχόν ακούσια ή κακή χρήση από έναν ανήλικο. **Κίνδυνος πνιγμού.** Τα αξεσουάρ μπορούν να παρουσιάσουν κίνδυνο πνιγμού για τα παιδιά. Μην αφήνετε τα παιδιά σας χωρίς επίβλεψη με τη συσκευή ή οποιοδήποτε αξεσουάρ. Αυτό το προϊόν δεν είναι παιχνίδι. **Χειρισμός** Ο χειρισμός αυτού του προϊόντος πρέπει να γίνεται με προσοχή. Το προϊόν μπορεί να υποστεί ζημιά εάν χτυπηθεί. Μην χρησιμοποιείτε ένα κατεστραμμένο προϊόν, συμπεριλαμβανομένων, μεταξύ άλλων, ρωγμών στο περίβλημα ή κατεστραμμένων καλωδίων. Μην χρησιμοποιείτε μια συσκευή με ένα κατεστραμμένο καλώδιο. Υγρασία και υγρά μπορούν να καταστρέψουν το προϊόν. Μην χειρίζεστε το προϊόν ή οποιαδήποτε ηλεκτρικά εξαρτήματα κοντά σε οποιοδήποτε υγρό. Αποθηκεύστε και χρησιμοποιήστε το προϊόν σε ξηρό περιβάλλον. Μην χρησιμοποιείτε το προϊόν εάν βραχεί. Εάν το προϊόν είναι ήδη σε λειτουργία και βραχεί, αποσυνδέστε το από την μπαταρία και διακόψτε αμέσως τη χρήση του. Ποτέ μην αποσυνδέετε το προϊόν τραβώντας τα καλώδια **Τροποποιήσεις.** Μην επιχειρήσετε να μεταβάλετε να τροποποιήσετε, ή να επισκευάσετε οποιοδήποτε μέρος του προϊόντος. Αποσυναρμολόγηση του προϊόντος μπορεί να προκαλέσει τραυματισμό, θάνατο ή υλικές ζημιές. Εάν το προϊόν υποστεί ζημιά, δυσλειτουργία ή έρθει σε επαφή με οποιοδήποτε υγρό, διακόψτε τη χρήση του και επικοινωνήστε με τη NOCO. Τυχόν τροποποιήσεις του προϊόντος θα ακυρώσουν την εγγύησή σας. **Αξεσουάρ.** Το συγκεκριμένο προϊόν είναι εγκεκριμένο προϊόν για χρήση μόνο με αξεσουάρ NOCO. Η NOCO δεν είναι υπεύθυνη των ασφαλεία των χρηστών ή ζημιά όταν γίνεται χρήση αξεσουάρ που δεν είναι εγκεκριμένα από την NOCO. **Τοποθέτηση.** Αποτρέψτε το οξύ της μπαταρίας να έρθει σε επαφή με το προϊόν. Μην χρησιμοποιείτε το προϊόν σε ένα κλειστό χώρο ή ένα χώρο με περιορισμένο εξαερισμό. Μην τοποθετείτε μια μπαταρία επάνω στη συσκευή. Τοποθετήστε τους ακροδέκτες έτσι ώστε να αποφύγετε ακούσια ζημιά από τα κινούμενα μέρη του οχήματος (συμπεριλαμβανομένων του καπνιού και των πορτών), τα κινούμενα εξαρτήματα του κινητήρα (συμπεριλαμβανομένων των πτερυγών του ανεμιστήρα [φτερωτή], ιμάντες και τροχαλίες), ή ότι θα μπορούσε να γίνει επικίνδυνο πρόκλησης τραυματισμού ή θανάτου. **Θερμοκρασία λειτουργίας.** Αυτό το προϊόν έχει σχεδιαστεί για να λειτουργεί σε θερμοκρασίες περιβάλλοντος μεταξύ -30.0 C έως 50.0 C. Μην το θέτετε σε λειτουργία εκτός αυτού του εύρους θερμοκρασίας. Μην επιχειρήσετε να εκκινήσετε στιγμιαία μια μπαταρία που έχει παγώσει. Διακόψτε τη χρήση του προϊόντος αμέσως αν η μπαταρία υπερθερμανθεί. **Αποθήκευση.** Μην χρησιμοποιείτε ή αποθηκεύετε το προϊόν σε χώρους με υψηλή συγκέντρωση σκόνης ή αερομεταφερόμενα υλικά. Αποθηκεύετε το προϊόν σας σε επίπεδες, ασφαλείς επιφάνειες, έτσι ώστε να μην είναι επιρρεπής σε πτώση. Αποθηκεύετε το προϊόν σας σε ένα ξηρό χώρο. Η θερμοκρασία αποθήκευσης είναι -20°C - 25°C (μέση θερμοκρασία). Μην ξεπερνάτε ποτέ τους 80°C υπό οποιεσδήποτε συνθήκες. **Συμβατότητα.** Το προϊόν είναι συμβατό μόνο με συστήματα μπαταριών μολύβδου-οξέος 12 volt και 24 volt. Μην επιχειρήσετε να χρησιμοποιήσετε το προϊόν με οποιοδήποτε άλλο τύπο μπαταρίας. Στιγμιαία εκκίνηση άλλης μπαταρίας διαφορετικής χημικής σύντασης μπορεί να οδηγήσει σε τραυματισμό, θάνατο ή υλικές ζημιές. Επικοινωνήστε με τον κατασκευαστή της μπαταρίας πριν επιχειρήσετε να εκκινήσετε στιγμιαία την μπαταρία. Μην εκκινήσετε στιγμιαία μια μπαταρία αν δεν

είστε σίγουροι για τη χημική σύσταση ή τη τάση της μπαταρίας. **Η μπαταρία.** Η ενσωματωμένη μπαταρία ιόντων λιθίου του προϊόντος θα πρέπει να αντικαθίσταται μόνο από τη NOCO, και πρέπει να ανακυκλώνεται ή να απορρίπτεται ξεχωριστά από τα οικιακά απορρίμματα. Μην επιχειρήσετε να αντικαταστήσετε τη μπαταρία μόνοι σας και μη χειρίζεστε μια κατεστραμμένη ή με διαρροή μπαταρία ιόντων λιθίου. Ποτέ μην πετάτε την μπαταρία στα οικιακά απορρίμματα. Η απόρριψη μπαταριών στα οικιακά απορρίμματα είναι παράνομη βάσει κρατικών και ομοσπονδιακών περιβαλλοντικών νόμων και κανονισμών. Πηγαίνετε πάντοτε τις παλιές μπαταρίες στο τοπικό κέντρο ανακύκλωσης μπαταριών. Εάν η μπαταρία του προϊόντος υπερθερμανθεί, εκπέμπει μια μυρωδιά, έχει παραμορφωθεί, έχει κτυπηθεί ή αντιμετωπίζει ή επιδεικνύει ασυνήθιστη συμπεριφορά σταματήστε αμέσως κάθε χρήση και εικοιωνήστε με τη NOCO. 13. **Φόρτιση μπαταρίας.** Φορτίστε το προϊόν με το συμπεριλαμβανόμενο προσαρμογέα 12V DC συνεχούς ρεύματος ή με το τροφοδοτικό ισχύος 56W XGC. Να είστε προσεκτικοί με τη χρήση χαμηλής ποιότητας τροφοδοτικών ισχύος, που μπορούν να παρουσιάσουν σοβαρό ηλεκτρικό κίνδυνο που μπορεί να καταλήξουν σε τραυματισμούς ατόμων, καταστροφή σε συσκευές και υλικές ζημιές. Χρησιμοποιώντας κατεστραμμένα καλώδια ή φορτιστές ή φορτίζοντας όταν υπάρχει υγρασία, μπορεί να οδηγήσει σε ηλεκτροπληξία. Η NOCO δεν ευθύνεται για την ασφάλεια του χρήστη όταν γίνεται χρήση αξεσουάρ ή υλικών που δεν είναι εγκεκριμένα από την NOCO. Τα τροφοδοτικά ισχύος μπορούν να ζεσταθούν κατά τη διάρκεια κανονικής χρήσης και η παρατεταμένη επαφή με το δέρμα μπορεί να προκαλέσει σωματικό τραυματισμό. Εξασφαλίστε πάντα επαρκή εξαερισμό γύρω από τροφοδοτικά ισχύος όταν τα χρησιμοποιείτε. Για να διασφαλίσετε τη μέγιστη διάρκεια ζωής της μπαταρίας, αποφύγετε τη φόρτιση της συσκευής σας για περισσότερο από μια εβδομάδα κάθε φορά, καθώς η υπερφόρτιση μπορεί να μειώσει τη διάρκεια ζωής της μπαταρίας. Με την πάροδο του χρόνου, ένα αχρησιμοποίητο προϊόν θα αποφορτιστεί και πρέπει να επαναφορτιστεί πριν τη χρήση. Να αποσυνδέετε το προϊόν από την πρίζα όταν δεν το χρησιμοποιείτε. Χρησιμοποιείτε το προϊόν μόνο για τη χρήση για την οποία προορίζεται. **Ιατρικές συσκευές.** Το προϊόν μπορεί να εκπέμπει ηλεκτρομαγνητικά πεδία. Το προϊόν περιέχει μαγνητικά εξαρτήματα τα οποία μπορούν να παρεμβάλουν σε βηματοδότες, απινιδωτή, ή ιατρικές συσκευές. Αυτά τα ηλεκτρομαγνητικά πεδία ενδέχεται να προκαλέσουν παρεμβολές σε βηματοδότες ή άλλες ιατρικές συσκευές. Συμβουλευτείτε το γιατρό σας πριν τη χρήση εάν έχετε οποιαδήποτε ιατρική συσκευή, συμπεριλαμβανομένων και των βηματοδοτών. Εάν υποψιαστείτε ότι το προϊόν προκαλεί παρεμβολές σε μια ιατρική συσκευή διακόψτε τη χρήση του προϊόντος αμέσως και συμβουλευτείτε το γιατρό σας. **Ιατρικές φυσικές καταστάσεις.** Αν έχετε οποιαδήποτε ιατρική φυσική κατάσταση που θεωρείτε ότι θα μπορούσε να επηρεαστεί από το προϊόν, συμπεριλαμβανομένων μεταξύ άλλων, κρίσεων, λιποθυμιών, κόπωση στα μάτια ή πονοκεφάλους, συμβουλευτείτε το γιατρό σας πριν τη χρήση. Η χρήση ενός ενσωματωμένου μεγάλου ισχύος φανού αστραπιαίου φωτός (φλας) εμπεριέχει κίνδυνο σε ευαισθησία στο φως. Η χρήση φωτός σε στροβοσκοπική λειτουργία μπορεί να προκαλέσει κρίση φωτοεπιληψίας σε άτομα, η οποία ενδέχεται να οδηγήσει σε σοβαρό τραυματισμό ή θάνατο. **Φως.** Βλέποντας απ' ευθείας στο φανό αστραπιαίου φωτός (φλας) μπορεί να οδηγήσει σε μόνιμο τραυματισμό των ματιών. Η συσκευή είναι εξοπλισμένη με μια υψηλής απόδοσης προ-εστιασμένη λυχνία LED που εκπέμπει μια πανίσχυρη δέσμη στην υψηλότερη ρύθμιση. **Καθαρισμός.** Αποσυνδέστε το προϊόν από την παροχή ρεύματος πριν επιχειρήσετε οποιαδήποτε συντήρηση ή καθαρισμό. Καθαρίστε και στεγνώστε το προϊόν αμέσως εάν έρθει σε επαφή με υγρό ή οποιουδήποτε είδους ρύπους. Χρησιμοποιήστε ένα μαλακό (μικροϊνών) πανί που δεν αφήνει χνούδι. Αποφύγετε τη συσσώρευση υγρασίας στα ανοίγματα. **Εκρηκτική ατμόσφαιρα.** Τηρείτε όλα τα σήματα και τις οδηγίες. Μην χρησιμοποιείτε το προϊόν σε οποιοδήποτε χώρο με δυνητικά εκρηκτική ατμόσφαιρα, συμπεριλαμβανομένων περιοχών τροφοδοσίας καυσίμων ή περιοχών που περιέχουν χημικά ή ουσιαστικά, όπως σιτηρά, σκόνη ή μεταλλική σκόνη. **Δραστηριότητες που έχουν υψηλές συνέπειες.** Αυτό το προϊόν δεν προορίζεται για χρήση όπου η αποτυχία λειτουργίας του προϊόντος θα μπορούσε να οδηγήσει σε τραυματισμό, θάνατο ή σοβαρές περιβαλλοντικές ζημιές. **Παρεμβολή Ραδιοσυχνότητας.** Το προϊόν έχει σχεδιαστεί, ελεγχθεί και κατασκευαστεί έτσι ώστε να συμμορφώνεται με τους κανονισμούς που διέπουν την ραδιοφωνική συχνότητα εκπομπών. Τέτοιους εκπομπές από το προϊόν μπορούν να επηρεάσουν αρνητικά τη λειτουργία άλλου ηλεκτρονικού εξοπλισμού, προκαλώντας τους βλάβη. **Αριθμός μοντέλου: GB500** Αυτή η συσκευή συμμορφώνεται με το Τμήμα 15 των κανονισμών της Ομοσπονδιακής Επιτροπής Επικοινωνιών, OEE (FCC) των ΗΠΑ. Η λειτουργία υπόκειται στις εξής δύο προϋποθέσεις: (1) η συσκευή αυτή δεν πρέπει να προκαλεί επιβλαβείς παρεμβολές και (2) η συσκευή αυτή πρέπει να αποδέχεται τις τυχόν λαμβανόμενες παρεμβολές, συμπεριλαμβανομένων και των παρεμβολών που ενδέχεται να προκαλέσουν ανεπιθύμητη λειτουργία. ΣΗΜΕΙΩΣΗ: Αυτός ο εξοπλισμός έχει ελεγχθεί και έχει διαπιστωθεί ότι συμμορφώνεται με τα όρια για ψηφιακές συσκευές κατηγορίας Α, σύμφωνα με το Τμήμα 15 των Κανόνων Ομοσπονδιακής Επιτροπής Επικοινωνιών, OEE (FCC) των ΗΠΑ. Αυτά τα όρια έχουν εκπονηθεί για να παράσχουν λογική προστασία

κατά των επιβλαβών παρεμβολών όταν η συσκευή λειτουργεί σε ένα εμπορικό περιβάλλον. Η συσκευή αυτή δημιουργεί, χρησιμοποιεί και μπορεί να εκπέμπει ενέργεια ραδιοφωνικής συχνότητας και, αν δεν εγκατασταθεί και δεν χρησιμοποιείται σύμφωνα με το εγχειρίδιο οδηγιών, μπορεί να προκαλέσει βλαπτικές παρεμβολές στις ραδιοεπικοινωνίες. Η λειτουργία αυτής της συσκευής σε μια κατοικημένη περιοχή πιθανόν να προκαλέσει επιβλαβή παρεμβολή, στην οποία περίπτωση θα ζητηθεί από το χρήστη να λάβει, με δικές του δαπάνες, οποιαδήποτε μέτρα μπορεί να χρειασθούν για την επιδιόρθωση της παρεμβολής.

Τρόπος χρήσης

Βήμα 1: Φόρτιση του GB500.

Το GB500 είναι μερικώς φορτισμένο από το εργοστάσιο και πρέπει να φορτιστεί πλήρως πριν τη χρήση του. Συνδέστε το GB500 χρησιμοποιώντας το συμπεριλαμβανόμενο USB καλώδιο φόρτισης στη θύρα IN του USB και το φορτιστή USB του αυτοκινήτου. Επίσης, μπορεί να φορτιστεί από οποιαδήποτε διαθέσιμη θύρα τροφοδοσίας USB όπως ένα τροφοδοτικό εναλλασσόμενου ρεύματος, φορτιστή αυτοκινήτου, φορητό υπολογιστή και άλλα. Η USB θύρα είναι διαβαθμισμένη σε 2,1 Αμπέρ για να διασφαλίζεται

25% 50% 75% 100%



Κατά τη φόρτιση, το επίπεδο φόρτισης της εσωτερικής μπαταρίας υποδεικνύεται από τις λυχνίες φόρτισης LED. Τα LED θα πάλλονται αργά σε 'On' και 'Off' και θα παραμείνουν σταθερά αναμμένα έως ότου και τα τέσσερα φώτα φόρτισης LED ενεργοποιηθούν. Όταν η μπαταρία είναι πλήρως φορτισμένη, η πράσινη λυχνία LED 100% θα παραμείνει σταθερά αναμμένη, και οι λυχνίες φόρτισης LED 25%, 50% και 75% θα σβήσουν (Off). Από καιρό σε καιρό, η πράσινη λυχνία LED 100% θα πάλλεται υποδηλώνοντας ότι λαμβάνει χώρα φόρτιση συντήρησης.

Φόρτιση με 12V συνεχούς ρεύματος DC (60W).

Το GB500 θα πρέπει να είναι σε κατάσταση λειτουργίας 12V για να φορτιστεί. Βεβαιωθείτε ο διακόπτης επιλογής τάσης βρίσκεται στη θέση 12V πριν τη φόρτιση. Συνδέστε το 12V καλώδιο στη θύρα εισόδου «12V IN» στο GB500, και το άλλο άκρο στο αρσενικό βύσμα 12 volt. Συνδέστε το βύσμα σε μια πρίζα βοηθητική «12V AUX» (Θύρα Αναπτήρα).

Φόρτιση με εναλλασσόμενο ρεύμα AC (56W).

Το GB500 πρέπει να είναι σε κατάσταση λειτουργίας 12V για να φορτιστεί. Βεβαιωθείτε ο διακόπτης επιλογής τάσης βρίσκεται στη θέση 12V πριν τη φόρτιση. Συνδέστε το καλώδιο XGC 12V στη θύρα εισόδου «12V IN» στο GB500, και το άλλο άκρο του τροφοδοτικού ισχύος 56W στην επιτοίχια πρίζα 100-240VAC (100-240VAC Wall Outlet).

Τροφοδοτώντας με ισχύ τις 12V συσκευές σας.

Το GB500 θα πρέπει να είναι σε κατάσταση λειτουργίας 12V προς ενεργοποίηση της εξόδου 12V (12V OUT). Συνδέστε το καλώδιο 12V στη θύρα εξόδου 12V (12V OUT) στο GB500, και το άλλο άκρο στην θηλυκή πρίζα 12V (12V AUX/ θύρα αναπτήρα). Συνδέστε οποιαδήποτε 12V συσκευή (έως 15A) με ένα 12V βύσμα και ενεργοποιείστε το GB500 "On" για να ξεκινήσει η φόρτιση της συσκευής σας.

Χρόνος επαναφόρτισης: 6-8 ώρες

Χρησιμοποιείτε ένα καλώδιο συνεχούς ρεύματος 12V DC ή ένα τροφοδοτικό εναλλασσόμενου ρεύματος (AC) για την επαναφόρτιση μιας πλήρως αποφορτισμένης μονάδας. Ο χρόνος επαναφόρτισης θα διαφέρει ανάλογα με τη στάθμη εκφόρτισης.

Βήμα 2: Σύνδεση με την μπαταρία.

Διαβάστε προσεκτικά και κατανοήστε το εγχειρίδιο κατόχου του αυτοκινήτου για ειδικές προφυλάξεις και τις συνιστώμενες μεθόδους για την στιγμιαία εκκίνηση του αυτοκινήτου. Φροντίστε να καθορίσετε την τάση και τη χημική σύσταση της εξαρτήματα. Το προϊόν GB500 είναι συμβατό μόνο για στιγμιαία εκκίνηση συστημάτων μπαταριών μολύβδου-οξέος 12 volt και 24 volt. Πριν το συνδέσετε στην μπαταρία, επιβεβαιώστε τη τάση του συστήματος της μπαταρίας. Βεβαιωθείτε ότι ο διακόπτης επιλογής τάσης βρίσκεται στη σωστή θέση (12V ή 24V) που αντιστοιχεί στο σύστημα μπαταρίας που θα τεθεί σε στιγμιαία εκκίνηση. Μην αλλάζετε ποτέ την τάση όσο η μονάδα είναι συνδεδεμένη με μπαταρία. Να αλλάζετε την τάση μόνο όσο η μονάδα είναι απενεργοποιημένη. Εάν το όχημά σας έχει θετικό σύστημα γείωσης (πολύ σπάνιο) ακολουθήστε τις παρακάτω οδηγίες σε αντίστροφη σειρά.

- 1.) Συνδέστε τον αρνητικό (μαύρο) σύνδεσμο μεγίστης ενίσχυσης (Boost Max Connector) στην αρνητική θύρα στο GB500.
- 2.) Συνδέστε το θετικό (κόκκινο) σύνδεσμο μεγίστης ενίσχυσης (Boost Max Connector) στη θετική θύρα στο GB500.
- 3.) Πάντοτε να καθαρίζετε τα τερματικά πριν συνδέσετε τους σφαιγκτήρες πάνω τους. ΣΗΜΕΙΩΣΗ: Τυχόν λανθασμένη συνδεσμολογία ή βρώμικα τερματικά ενδέχεται να προκαλέσουν καπνό. Επίσης, οι πιθανότητες εμφάνισης καπνού αυξάνονται με τη χρήση μπαταριών που έχουν πολύ χαμηλή τάση.
- 4.) Συνδέστε το θετικό (κόκκινο) σύνδεσμο μεγίστης ενίσχυσης (Boost Max Connector) στο θετικό πόλο της μπαταρίας (POS,P,+).
- 5.) Συνδέστε τον αρνητικό (μαύρο) σύνδεσμο μεγίστης ενίσχυσης (Boost Max Connector) στον αρνητικό πόλο της μπαταρίας (NEG,N,-) ή στο πλαίσιο (σασί) του οχήματος. (Η γείωση με το πλαίσιο μπορεί να μην ενδικνύεται για το ξεκίνημα εφαρμογών μεγάλης κλίμακας.)
- 6.) Όταν αποσυνδέετε, αποσυνδέστε με την αντίστροφη σειρά, αφαιρώντας την αρνητική τσιμπίδα (κροκοδιλάκι) πρώτα (ή θετική πρώτα για θετικό σύστημα γείωσης).

Βήμα 3: Στιγμιαία εκκίνηση αυτοκινήτου.

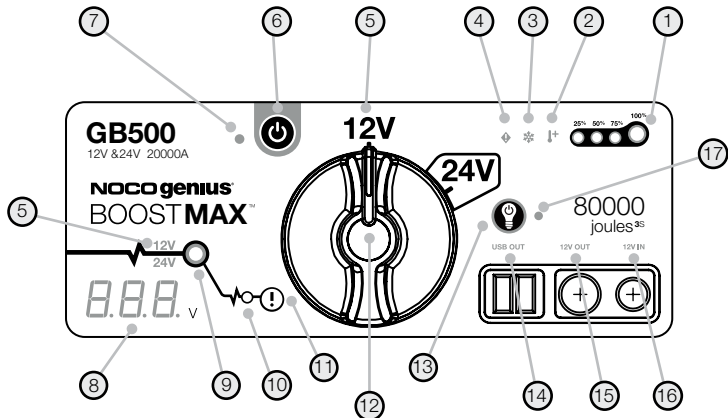
- 1.) Βεβαιωθείτε ότι όλα τα φορτία ισχύος του αυτοκινήτου (προβολείς, ραδιόφωνο, κλιματιστικό, κλπ) είναι απενεργοποιημένα προτού επιχειρήσετε την στιγμιαία εκκίνηση του οχήματος. Εάν το όχημα διαθέτει Κεντρικό Διακόπτη, γυρίστε τον στη θέση "on".
- 2.) Πιέστε το κουμπί τροφοδοσίας ισχύος για να ξεκινήσει η στιγμιαία εκκίνηση. Όλες οι λυχνίες LED θα αναβοσβήνουν, υποδηλώνοντας ότι όλες οι λυχνίες LED λειτουργούν σωστά. Εάν η σύνδεση στη μπαταρία είναι σωστή, η άσπρη λυχνία LED ισχυρής στιγμιαίας φόρτισης θα ανάψει. Εάν οι τσιμπίδες σύνδεσης στη μπαταρία είναι συνδεδεμένες ανάποδα, η κόκκινη λυχνία ένδειξης LED σφάλμα θα ανάψει. Αντιστρέψτε τις συνδέσεις για να διαγράψετε αυτό το σφάλμα και στη συνέχεια η λευκή λυχνία ένδειξης LED ισχυρής στιγμιαίας φόρτισης θα ανάψει. Η λευκή λυχνία ένδειξης LED ισχυρής στιγμιαίας φόρτισης ανάβει όταν το GB500 είναι έτοιμο για την στιγμιαία εκκίνηση του αυτοκινήτου σας.
- 3.) Επιχειρήστε την εκκίνηση του αυτοκινήτου. Τα περισσότερα οχήματα θα ξεκινήσουν αμέσως. Ορισμένα οχήματα μπορεί να απαιτούν το GB500 να συνδεθεί έως και 30 δευτερόλεπτα πριν την εκκίνηση. Αν το όχημα δεν ξεκινήσει αμέσως, περιμένετε 20-30 δευτερόλεπτα και προσπαθήστε ξανά. Μην προσπαθήσετε περισσότερες από πέντε (5) συνεχόμενες στιγμιαίες εκκινήσεις εντός μιας περιόδου των 15 λεπτών. Αφήστε το GB500 σε αδράνεια για δεκαπέντε (15) λεπτά πριν επιχειρήσετε να εκκινήσετε ξανά το αυτοκίνητο.
- 4.) Από τη στιγμή που έχετε εκκινήσει το όχημα, αποσυνδέστε τις τσιμπίδες (κροκοδιλάκια) μπαταρίας, και αφαιρέστε το GB500.

Μπαταρίες χαμηλής τάσης & χειροκίνητη παράκαμψη.

Το GB500 είναι σχεδιασμένο για άμεση εκκίνηση 12-volt μπαταριών μολύβδου-οξέος με κατώτερο όριο τα 2 volts. Εάν η μπαταρία σας είναι χαμηλότερη από 2 Volt, η λυχνία ένδειξης LED ισχυρής στιγμιαίας φόρτισης θα είναι σβηστή. Αυτό αποτελεί ένδειξη ότι το GB500 δεν μπορεί να ανιχνεύσει μια μπαταρία. Εάν χρειάζεται να εκκινήσετε μία μπαταρία κάτω από 2 volt υπάρχει μια λειτουργία χειροκίνητης παράκαμψης η οποία σας επιτρέπει να ισχύει το "On" (ενεργοποίηση) της έναρξης λειτουργίας της στιγμιαίας εκκίνησης.




ΠΡΟΣΟΧΗ.

ΧΡΗΣΙΜΟΠΟΙΕΙΣΤΕ ΑΥΤΗ ΤΗ ΛΕΙΤΟΥΡΓΙΑ ΜΕ ΙΔΙΑΙΤΕΡΗ ΠΡΟΣΟΧΗ. ΑΥΤΗ Η ΛΕΙΤΟΥΡΓΙΑ ΕΙΝΑΙ ΜΟΝΟ ΓΙΑ 12 VOLT Ή 24 VOLT ΜΠΑΤΑΡΙΑ ΜΟΛΥΒΔΟΥ ΟΞΕΟΣ. ΒΕΒΑΙΩΘΕΙΤΕ ΟΤΙ Ο ΔΙΑΚΟΠΤΗΣ ΕΠΙΛΟΓΗΣ ΤΑΣΗΣ ΒΡΙΣΚΕΤΑΙ ΣΤΗ ΣΩΣΤΗ ΘΕΣΗ (12V ή 24V) ΠΟΥ ΑΝΤΙΣΤΟΙΧΕΙ ΣΤΟ ΣΥΣΤΗΜΑ ΜΠΑΤΑΡΙΑΣ ΠΟΥ ΘΑ ΤΕΘΕΙ ΣΕ ΣΤΙΓΜΙΑΙΑ ΕΚΚΙΝΗΣΗ. ΜΗΝ ΑΦΗΝΕΤΕ ΤΗ ΘΕΤΙΚΗ ΚΑΙ ΑΡΝΗΤΙΚΗ ΤΣΙΜΠΙΔΑ (ΚΡΟΚΟΔΙΛΑΚΙΑ) ΜΠΑΤΑΡΙΑΣ ΝΑ ΕΛΘΟΥΝ ΣΕ ΕΠΑΦΗ Ή ΝΑ ΣΥΝΔΕΘΟΥΝ ΜΕΤΑΞΥ ΤΟΥΣ ΚΑΘΩΣ Η ΣΥΣΚΕΥΗ ΘΑ ΔΗΜΙΟΥΡΓΗΣΕΙ ΣΠΙΝΘΗΡΕΣ. ΑΥΤΗ Η ΛΕΙΤΟΥΡΓΙΑ ΧΡΗΣΙΜΟΠΟΙΕΙ ΠΟΛΥ ΥΨΗΛΟ ΡΕΥΜΑ (Έως 20,000 AMPS) ΠΟΥ ΜΠΟΡΟΥΝ ΝΑ ΠΡΟΚΑΛΕΣΟΥΝ ΣΠΙΝΘΗΡΕΣ ΚΑΙ ΥΨΗΛΗ ΘΕΡΜΟΚΡΑΣΙΑ ΕΑΝ ΔΕΝ ΧΡΗΣΙΜΟΠΟΙΕΙΤΑΙ ΣΩΣΤΑ. ΕΑΝ ΕΙΣΤΕ ΑΒΕΒΑΙΟΙ ΣΧΕΤΙΚΑ ΜΕ ΤΗ ΧΡΗΣΗ ΑΥΤΗΣ ΤΗΣ ΛΕΙΤΟΥΡΓΙΑΣ, ΜΗ ΤΗΝ ΕΠΙΧΕΙΡΙΣΤΕ ΚΑΙ ΖΗΤΗΣΤΕ ΕΠΑΓΓΕΛΜΑΤΙΚΗ ΒΟΗΘΕΙΑ.



- 1 . Επίπεδο φόρτισης της εσωτερικής μπαταρίας.** Υποδεικνύει το επίπεδο φόρτισης της εσωτερικής μπαταρίας.
- 2 . Η μονάδα είναι ζεστή,** η λυχνία LED ανάβει σταθερά κόκκινη. Η μονάδα είναι πλήρως λειτουργική, αλλά πλησιάζει το ανώτερο όριο θερμοκρασίας. Αναβοσβήνει κόκκινο. Η μονάδα είναι πολύ ζεστή για στιγμιαία εκκίνηση αλλά οι άλλες λειτουργίες είναι ακόμη διαθέσιμες.
- 3 . Η μονάδα είναι κρύα η λυχνία LED** ανάβει σταθερά Μπλέ. Η μονάδα είναι πλήρως λειτουργική, αλλά πλησιάζει το κατώτερο όριο θερμοκρασίας.
Αναβοσβήνει Μπλέ. Η μονάδα είναι πολύ κρύα για στιγμιαία εκκίνηση αλλά οι άλλες λειτουργίες είναι ακόμη διαθέσιμες.
- 4 . Λυχνία LED σφάλματος,** ανάβει κόκκινη εάν ανιχνευθεί αντίστροφη πολικότητα.
- 5 . Ενδεικτής τάσης.** Υποδεικνύει την τάση του συστήματος μπαταρίας που το GB500 έχει ρυθμιστεί σε 12V. Ανάβει λευκό όταν είναι στη κατάσταση λειτουργίας 12V, 24V, ανάβει μπλε όταν είναι σε κατάσταση λειτουργίας 24V.
- 6 . Κουμπί λειτουργίας.** Πιέστε για να ενεργοποιήσετε "On" ή να απενεργοποιήσετε "Off", τη μονάδα,
- 7 . Λυχνία LED Λειτουργίας.** Ανάβει λευκό όταν η μονάδα είναι ενεργοποιημένη, "On".
- 8 . Βολτόμετρο** Το ενσωματωμένο βολτόμετρο μετρά την τάση της μπαταρίας του αυτοκινήτου για βελτιωμένη διάγνωση και αντιμετώπιση προβλημάτων. Το βολτόμετρο θα μετρήσει αυτόματα την τάση της κάθε μπαταρίας (ή σύστημα μπαταρίας) όταν οι τσιμπίδες (κροκοδιλάκια) είναι συνδεδεμένες, - ακόμη και αν η μονάδα είναι απενεργοποιημένη. Το βολτόμετρο θα μετρήσει μεταξύ ~3V και ~30V. Εάν η συνδεδεμένη μπαταρία είναι κάτω από 3V, τίποτα δεν θα εμφανίζεται . Σε αυτή την περίπτωση, υπάρχει η πιθανότητα να υπάρχει ένα φορτίο(-α) στη μπαταρία, όπως προβολείς ή ανεμιστήρας κλιματιστικού, τα οποία θα πρέπει να απενεργοποιηθούν πριν επιχειρήσετε την εκκίνηση του οχήματος.
- 9 . Λυχνία LED ισχυρής (Boost) στιγμιαίας φόρτισης.** Ανάβει λευκό όταν η ισχυρή στιγμιαία φόρτιση είναι ενεργή. Εάν η μονάδα έχει συνδεθεί σωστά στην μπαταρία, το GB500 θα εντοπίσει αυτόματα την μπαταρία και θα θεθεί σε λειτουργία ταχείας (Boost) στιγμιαίας φόρτισης (Λευκή λυχνία LED αναβοσβήνει [φλας] όταν η χειροκίνητη λειτουργία παράκαμψης είναι ενεργή).
- 10 . Λυχνία LED χειροκίνητης παράκαμψης.** Ανάβει σταθερό κόκκινη όταν η χειροκίνητη παράκαμψη ενεργοποιηθεί.
- 11 . Κουμπί χειροκίνητης παράκαμψης.** Προς ενεργοποίηση, πιέστε το και κρατήστε το πατημένο για τρία (3) δευτερόλεπτα. ΠΡΟΕΙΔΟΠΟΙΗΣΗ: Απενεργοποιεί την προστασία ασφάλειας και χειροκίνητα επιτρέπει να ισχύει η ταχεία (boost) φόρτιση, "On". Για χρήση μόνο όταν η τάση της μπαταρίας είναι πολύ χαμηλή για να μπορεί να ανιχνευθεί.
- 12 . Διακόπτης επιλογής τάσης.** Στρέψτε τον για εναλλαγή λειτουργίας μεταξύ 12V και 24V.
- 13 . Κουμπί λειτουργίας φωτισμού.** Εναλλάσσει το φως εργασίας μέσω 7 τρόπων λειτουργίας φωτισμού 100% > 50% > 10% > SOS > Γρήγορο αναβόσβημα (Blink) > Στροβοσκοπική (Strobe) > Απενεργοποίηση (Off).
- 14 . Λυχνία LED, USB έξοδος (USB Out),** ανάβει λευκό. Η λειτουργία USB έξοδος (USB Out) μπορεί να χρησιμοποιηθεί και στις δύο λειτουργίες 12V και 24V.
- 15 . Λυχνία LED, 12V έξοδος (12V Out),** ανάβει λευκό. Η λειτουργία 12V έξοδος (12V Out) μπορεί να χρησιμοποιηθεί μόνο στη λειτουργία 12V
- 16 . Λυχνία LED, 12V είσοδος (12V In),** ανάβει λευκό. Η λειτουργία 12V είσοδος (12V In) μπορεί να χρησιμοποιηθεί μόνο στη λειτουργία 12V
- 17 . Λυχνία LED λειτουργίας φωτισμού.** Ανάβει λευκό όταν ενεργοποιηθεί ("On") το φως εργασίας, αλλά η μονάδα είναι απενεργοποιημένη.

Τρόπος χρήσης

Σφάλμα	Αιτία/Λύση
 Λυχνία LED ένδειξης σφάλματος: Σταθερά κόκκινη Λυχνία LED ένδειξης σφάλματος: Μονή (1) αναλαμπή (φλας) LED ένδειξης σφάλματος: Διπλή (2) αναλαμπή (φλας) Λυχνία LED ένδειξης σφάλματος: Τριπλή (3) αναλαμπή (φλας) Λυχνία LED ένδειξης σφάλματος: Τετραπλή (4) αναλαμπή (φλας) Λυχνία LED ένδειξης σφάλματος: Πενταπλή (5) αναλαμπή (φλας)	Εντόπιση ανάστροφης πολικότητας / Αντιστρέψτε τις συνδέσεις της μπαταρίας. Εντόπιση βραχυκυκλώματος στις τσιμπίδες (κροκοδιλάκια) της μπαταρίας. / Αφαιρέστε όλα τα φορτία, επανασυνδέστε τις τσιμπίδες (κροκοδιλάκια) στην μπαταρία. Η περίοδος στιγμιαίας εκκίνησης είναι πέρα των δέκα (10) λεπτών. / Απενεργοποιήστε την παροχή ισχύος της μονάδας (Off), και κατόπιν ενεργοποιήστε την παροχή (On). Βλάβη στον εσωτερικό κύριο διακόπτη. / Βεβαιωθείτε ότι ο διακόπτης επιλογής τάσης βρίσκεται στη σωστή θέση 12V ή 24V. Κατά τη φόρτιση ανιχνεύτηκε ελαττωματικό στοιχείο μπαταρίας. / Απενεργοποιήστε την παροχή ισχύος και επικοινωνήστε με το κέντρο υποστήριξης της NOCO. XGC ΕΞΟΔΟΣ (XGC OUT) Σφάλμα υπερέντασης ρεύματος. / Αφαιρέστε το φορτίο από την μονάδα XGC OUT κατόπιν απενεργοποιήστε την παροχή ισχύος της μονάδας και κατόπιν ενεργοποιήστε την παροχή (On).
 + Η μονάδα είναι ζεστή το LED: Συνεχές Η μονάδα είναι ζεστή το LED: Αναβοσβήνει (Flash) Η μονάδα είναι θερμή το LED: Αναβοσβήνει (φλας) κατόπιν όλες οι λυχνίες LED απενεργοποιούνται (Off).	Η μονάδα είναι πλήρως λειτουργική αλλά πλησιάζει το ανώτερο όριο θερμοκρασίας. / Αφήστε τη συσκευή να κρυώσει. Η μονάδα είναι πολύ ζεστή για στιγμιαία εκκίνηση αλλά οι άλλες λειτουργίες είναι ακόμη διαθέσιμες. / Αφήστε τη συσκευή να κρυώσει. Η μονάδα είναι πολύ ζεστή για στιγμιαία εκκίνηση ή για τη χρήση άλλων λειτουργιών / Αφήστε τη συσκευή να κρυώσει, και μεταφέρετε την μονάδα σε ψυχρότερο περιβάλλον.
 Η μονάδα είναι κρύα το LED: Συνεχές Η μονάδα είναι κρύα το LED: Αναβοσβήνει (φλας) Η μονάδα είναι κρύα το LED: Αναβοσβήνει (φλας) κατόπιν όλες οι λυχνίες LED απενεργοποιούνται (Off).	Η μονάδα είναι πλήρως λειτουργική αλλά πλησιάζει το κατώτερο όριο θερμοκρασίας. / Αφήστε τη μονάδα να προθερμανθεί. Η μονάδα είναι πολύ κρύα για στιγμιαία εκκίνηση αλλά οι άλλες λειτουργίες είναι ακόμη διαθέσιμες. / Αφήστε τη μονάδα να προθερμανθεί. Η μονάδα είναι πολύ κρύα για στιγμιαία εκκίνηση ή για τη χρήση άλλων λειτουργιών / Αφήστε τη συσκευή να προθερμανθεί, και μεταφέρετε την μονάδα σε θερμότερο περιβάλλον.
Τεχνική σημείωση	Οι μπαταρίες ιόντων-λιθίου αυτοθερμαίνονται όταν χρησιμοποιούνται. Εάν ανάψει η λυχνία LED ότι η μονάδα είναι κρύα προσπαθήστε πολλές φορές να πραγματοποιήσετε στιγμιαία εκκίνηση ώστε να ζεσταθεί η μπαταρία και να εξαλειφθεί το σφάλμα. Τυπικά, 3-4 στιγμιαίες εκκινήσεις είναι αρκετές για να προθερμανθεί η μπαταρία και να εξαλειφθεί το σφάλμα.

Τεχνικές προδιαγραφές

Εσωτερική μπαταρία	Lithium-Ion (Βατώρα 266)
Μέγιστη ονομαστική τιμή ρεύματος:	20,000A
joules3S:	80,000+
Θερμοκρασία λειτουργίας:	-30°C έως +50°C (-22°F έως +122°F)
Θερμοκρασία Φόρτισης:	0°C έως +40°C (32°F έως +104°F)
Θερμοκρασία αποθήκευσης:	-20°C έως +50°C (-4°F έως +122°F) (Μέση θερμοκρασία).
USB (Έξοδος):	Διπλό 5V, 2,1A
12V (Διεπαφή):	12V, 5A
12V (Έξοδος):	12V, 15A
Περιβλημά προστασίας:	IP65 (με τις θύρες κλειστές)
Ψύξη	Φυσική μεταφορά θερμότητας
Διαστάσεις (Μ x Π x Υ) :	12,25 x 8,25 x 2,25 ίντσες (311,15 x 209,55 x 57,15 mm)
Βάρος:	19 λίβρες

GR

Εγγύηση

NOCO Genius ένα (1) έτος περιορισμένη εγγύηση.

Η εταιρεία NOCO ("NOCO") εγγυάται ότι αυτό το προϊόν (το «Προϊόν») δεν είναι ελαττωματικό ούτε όσον αφορά τα υλικά ούτε όσον αφορά την εργασία για περίοδο ενός (1) έτους από την ημερομηνία αγοράς (η Περίοδος Εγγύησης). Για ελαττώματα που αναφέρθηκαν κατά τη διάρκεια της περιόδου εγγύησης, θα είναι, στην διακριτική ευχέρεια της NOCO, και με την επιφύλαξη της ανάλυσης από τη τεχνική υποστήριξη της NOCO, είτε να επισκευάσει είτε να αντικαταστήσει τα ελαττωματικά προϊόντα. Τα προς αντικατάσταση εξαρτήματα και προϊόντα θα είναι νέα ή λειτουργικά έτοιμα μεταχειρισμένα μέρη συγκρινόμενα στην λειτουργία και απόδοση του αρχικού εξαρτήματος και εγγυημένα για το υπόλοιπο της αρχικής περιόδου εγγύησης.

Η ΕΥΘΥΝΗ ΤΗΣ ΕΤΑΙΡΕΙΑΣ ΝΟCΟ ΩC ΚΑΤΩΤΕΡΩ ΠΕΡΙΟΡΙΖΕΤΑΙ ΡΗΤΑ ΣΕ ΑΝΤΙΚΑΤΑΣΤΑΣΗ Ή ΕΠΙCΚΕΥΗ. ΣΤΟ ΜΕΓΙCΤΟ ΒΑΘΜΟ ΠΟΥ ΕΠΙΤΡΕΠΕΤΑΙ ΑΠΟ ΤΟ ΝΟΜΟ. Η ΝΟCΟ ΔΕ ΘΑ ΕΥΘΥΝΕΤΑΙ ΣΕ ΟΠΟΙΟΔΗΠΟΤΕ ΑΓΟΡΑCΤΗ ΤΟΥ ΠΡΟΪΟΝΤΟC Ή ΣΕ ΟΠΟΙΟΔΗΠΟΤΕ ΤΡΙΤΟ ΓΙΑ ΤΥΧΟΝ ΕΙΔΙΚΕC, ΕΜΜΕCΕC, ΑΠΟΘΕΤΙΚΕC Ή ΠΑΡΑΔΕΙΓΜΑΤΙΚΕC ΖΗΜΙΕC, CΥΜΠΕΡΙΛΑΜΒΑΝΟΜΕΝΩΝ, ΕΝΔΕΙΚΤΙΚΑ ΣΕ, ΑΠΩΛΕΙΑ ΚΕΡΔΩΝ, ΥΛΙΚΕC ΖΗΜΙΕC Ή ΠΡΟCΩΠΙΚΟ ΤΡΑΥΜΑΤΙCΜΟ ΠΟΥ CΧΕΤΙΖΟΝΤΑΙ ΜΕ ΟΠΟΙΟΝΔΗΠΟΤΕ ΤΡΟΠΟ ΜΕ ΤΟ ΠΡΟΪΟΝ ΜΕ ΟΠΟΙΟ ΤΡΟΠΟ ΚΑΙ ΑΝ ΠΡΟΚΛΗΘΗΚΑΝ, ΑΚΟΜΗ ΚΑΙ ΑΝ Η ΝΟCΟ ΕΓΝΩΡΙΖΕ ΓΙΑ ΤΟ ΕΝΔΕΧΟΜΕΝΟ ΑΥΤΩΝ ΤΩΝ ΖΗΜΙΩΝ. ΟΙ ΕΓΓΥΗCΕΙC ΠΟΥ ΑΝΑΦΕΡΟΝΤΑΙ ΣΤΟ ΠΑΡΟΝ ΕΙΝΑΙ ΑΝΤΙ ΓΙΑ ΟΛΕC ΤΙC ΑΛΛΕC ΕΓΓΥΗCΕΙC, ΡΗΤΕC, ΑΜΕCΕC, ΕΜΜΕCΕC, ΕΚ ΤΟΥ ΝΟΜΟΥ Ή ΜΕ ΑΛΛΟ ΤΡΟΠΟ CΥΜΠΕΡΙΛΑΜΒΑΝΟΜΕΝΩΝ ΧΩΡΙC ΠΕΡΙΟΡΙCΜΟ ΤΩΝ ΕΜΜΕCΩΝ ΕΓΓΥΗCΕΩΝ ΕΜΠΟΡΕΥCΙΜΟΤΗΤΑC ΚΑΙ ΚΑΤΑΛΛΗΛΟΤΗΤΑC ΓΙΑ CΥΓΚΕΚΡΙΜΕΝΟ CΚΟΠΟ, ΚΑΙ ΕΚΕΙΝΩΝ ΠΟΥ ΠΡΟΚΥΠΤΟΥΝ ΑΠΟ ΤΗ ΔΙΑΧΕΙΡΙCΗ, ΤΗ ΧΡΗCΗ Ή ΤΗΝ ΕΜΠΟΡΙΚΗ ΠΡΑΚΤΙΚΗ. ΣΕ ΠΕΡΙΠΤΩCΗ ΠΟΥ ΤΥΧΟΝ ΙCΧΥΟΝΤΕC ΝΟΜΟΙ ΕΠΙΒΑΛΛΟΥΝ ΕΓΓΥΗCΕΙC, ΟΡΟΥC Ή ΥΠΟΧΡΕΩCΕΙC ΠΟΥ ΔΕΝ ΜΠΟΡΟΥΝ ΝΑ ΕΞΑΙΡΕΘΟΥΝ Ή ΝΑ ΤΡΟΠΟΠΟΙΗΘΟΥΝ, Η ΠΑΡΟΥCΑ ΠΑΡΑΓΡΑΦΟC ΕΦΑΡΜΟΖΕΤΑΙ ΣΤΟ ΜΕΓΑΛΥΤΕΡΟ ΒΑΘΜΟ ΠΟΥ ΕΠΙΤΡΕΠΕΤΑΙ ΑΠΟ ΤΗ CΧΕΤΙΚΗ ΝΟΜΟΘΕCΙΑ.

ΑΥΤΗ Η ΠΕΡΙΟΡΙCΜΕΝΗ ΕΓΓΥΗCΗ ΓΙΝΕΤΑΙ ΑΠΟΚΛΕΙCΤΙΚΑ ΑΠΟ ΤΗ ΝΟCΟ ΠΡΟC ΟΦΕΛΟC ΤΟΥ ΑΡΧΙΚΟΥ ΑΓΟΡΑCΤΗ ΤΟΥ ΠΡΟΪΟΝΤΟC Ή ΑΠΟ ΕΓΚΕΚΡΙΜΕΝΟ ΠΩΛΗΤΗ Ή ΔΙΑΝΟΜΕΑ ΤΗC ΝΟCΟ ΚΑΙ ΔΕΝ ΕΙΝΑΙ ΔΥΝΑΤΟΝ ΝΑ ΜΕΤΑΒΙΒΑCΤΕΙ Ή ΝΑ ΕΚΧΩΡΗΘΕΙ. Για να διεκδικήcει ο αγοραcτής μια εγγύηcη θα πρέπει: (1) να διεκδικήcει και να λάβει ένα αριθμό Έγκριcηc Επιστροφής Υλικού [EEY] ("RMA") και να λάβει από την υποcτήριξη της ΝΟCΟ πληροφορίεc για το τόπο επιcτροφής (Ο «τόποc επιcτροφής») μέσω ηλεκτρονικού μηνύματοc cτη διεύθυνση support@no.co ή τηλεφωνικά cτο αριθμό 1.800.456.6626; και (2) την αποcτολή του προϊόντοc, cυμπεριλαμβανομένου του αριθμού της [EEY] ("RMA"), την απόδειξη ή την χρέωcη της εγγύηcηc (χρέωcη απαιτείται μόνο εάν δεν παρέχεται η απόδειξη) cτο 45% του MSRP [Manufacturer's Suggested Retail Price] (Τιμή λιανικήc που cυcτίνεται από τον καταcκευαcτή) του ελαττωματικού προϊόντοc (το «τέλοc εγγύηcηc») [η Έγκριcη Επιστροφής Υλικού [EEY] (RMA) θα περιλαμβάνει το ποcό χρέωcηc εγγύηcηc] για τον τόπο επιcτροφής. ΜΗΝ ΑΠΟCΤΕΙΛΕΤΕ ΤΟ ΠΡΟΪΟΝ ΧΩΡΙC ΠΡΩΤΑ ΝΑ ΛΑΒΕΤΕ ΤΗΝ Έγκριcη Επιστροφής Υλικού [EEY] ("RMA") ΑΠΟ ΤΟ ΤΜΗΜΑ ΥΠΟCΤΗΡΙΞΗC ΤΗC ΝΟCΟ.

Ο ΑΡΧΙΚΟC ΑΓΟΡΑCΤΗC ΕΙΝΑΙ ΥΠΕΥΘΥΝΟC (ΚΑΙ ΠΡΕΠΕΙ ΝΑ ΠΡΟΠΛΗΡΩCΕΙ) ΤΑ ΕΞΟΔΑ CΥCΚΕΥΑCΙΑC ΚΑΙ ΜΕΤΑΦΟΡΙΚΩΝ ΠΡΟC ΑΠΟCΤΟΛΗ ΤΩΝ ΠΡΟΪΟΝΤΩΝ ΓΙΑ ΤΟ CΕΡΒΙC ΕΓΓΥΗCΗC.

ΚΑΤΑ ΠΑΡΕΚΚΛΙCΗ ΤΩΝ ΑΝΩΤΕΡΩ, ΑΥΤΗ Η ΠΕΡΙΟΡΙCΜΕΝΗ ΕΓΓΥΗCΗ ΕΙΝΑΙ ΑΚΥΡΗ ΚΑΙ ΔΕΝ ΙCΧΥΕΙ ΓΙΑ ΠΡΟΪΟΝΤΑ ΠΟΥ: (α) χρηcιμοποιούνται λάθοc, από κακή μεταχείριcη, υποβάλλονται cε κατάχρηcη ή απρόcεκτο χεριcμό, ατύχημα, ακατάλληλη αποθήκευcη, ή λειτουργούν υπό cυνθήκεc ακραίαc τάcηc, απότομεc μεταβολέc θερμοκραcίαc, ή δονήcειc πέραν των cυcτάcεων της ΝΟCΟ για την ασφαλή και αποτελεcματική χρέcηc του; (β) δεν έχει εγκαταcταθει, λειτουργεί ή cυντηρείται cωcτά, (γ) έχουν/τροποποιήθηκαν χωρίc τη ρητή γραπτή cυγκατάθεση της ΝΟCΟ; (δ) έχουν αποcυναρμολογηθεί, τροποποιηθεί ή επιcκευαcτεί από οποιονδήποτε άλλον εκτόc από τη ΝΟCΟ, ε) τα ελαττώματα τα οποία αναφέρθηκαν μετά την περίοδο εγγύηcηc.

Μπορείτε να δηλώcete το προϊόν ΝΟCΟ μέσω διαδικτύου:cτη διεύθυνση no.co/register. Εάν έχετε οποιεcδήποτε ερωτήcειc cχετικά με την εγγύηcή cασ ή το προϊόν επικοινωνήcete με την υποcτήριξη της ΝΟCΟ (e-mail και αριθμό τηλεφώνου ανωτέρω) ή cτείλτε επιcτολή cτη διεύθυνση: The NOCO Company, at 30339 Diamond Parkway, #102, Glenwillow, OH 44139 USA.

NOCO genius[®] BOOSTMAX[™]

GB500

Kullanıcı Kılavuzu ve Garanti



TEHLİKE



BU ÜRÜNÜ KULLANMADAN ÖNCE TÜM GÜVENLİK BİLGİLERİNİ OKUYUN VE ANLAYIN. Bu güvenlik talimatlarına uyulmaması, CİDDİ YARALANMA, ÖLÜM VEYA MAL ZARARINA yol açabilen ELEKTRİK ÇARPMASI, PATLAMA VEYA YANGIN riskine neden olabilir.



Elektrik Çarpması. Ürün, elektrik çarpabilen ve ciddi yaralanmalara neden olabilen elektrikli bir cihazdır. Elektrik kablolarını kesmeyin. Suya daldırmayın ve ıslanmasına izin vermeyin.



Patlama. Bakımsız, uyumsuz veya hasar görmüş aküler ürün ile kullanıldığında patlayabilir. Ürünü çalışırken tek başına bırakmayın. Hasarlı veya donmuş bir aküyü takviye etmeye çalışmayın. Ürünü yalnızca önerilen voltajı olan aküler ile kullanın. Ürünü iyi havalandırılan alanlarda kullanın.



Yangın. Ürün, yanıklara neden olabilen ısı yayan elektrikli bir cihazdır. Ürünün üstünü örtmeyin. Ürünü çalıştırırken sigara içmeyin veya herhangi bir elektrik kıvılcımı veya ateş kaynağını kullanmayın. Ürünü yanıcı maddelerden uzak tutun.



Göz Yaralanması. Ürünü çalıştırırken koruyucu gözlük takın. Aküler patlayabilir ve sıçrayan parçalara neden olabilir. Akü asidi göz ve cilt tahrişine neden olabilir. Gözlere veya cilde bulaşması durumunda, etkilenen bölgeyi temiz su ile yıkayın ve hemen zehir kontrolü ile irtibata geçin.



Patlayıcı Gazlar. Kurşun-asit akülerin yakınında çalışmak tehlikelidir. Aküler, normal çalışma sırasında patlayıcı gazlar oluşturur. Akünün patlama riskini azaltmak için, tüm bu güvenlik talimatlarına ve akü üreticisi ve akü yanında kullanılan herhangi bir ekipmanın üreticisi tarafından verilmiş olan talimatlara uyun. Söz konusu ürünlerdeki ve motordaki tüm uyarı işaretlerini gözden geçirin.

Türk

TR

Daha fazla bilgi ve destek için sitemizi ziyaret edin:

www.no.co/support

Önemli Güvenlik Uyarıları

Öneri 65. Akü başları, terminaller ve ilgili aksesuarlar kurşun dahil kimyasalları içerir. Bu malzemeler Kaliforniya Eyaleti tarafından kansere, doğum kusurlarına ve diğer yeniden oluşabilen zararlara neden olduğunu bilinmektedir. **Kişisel Uyarılar.** Ürünü sadece tasarlandığı gibi kullanın. Seslenebilir birisi olmalı veya acil durumlarda yardıma gelebilecek kadar yakın birisi olmalıdır. Akü asidi bulaşması durumunda temiz su ve sabun bulundurun. Akünün yanında çalışırken eksiksiz göz koruması ve koruyucu giysilerini giyin. Akülere ve ilgili malzemelere dokunmaktan sonra daima ellerinizi yıkayın. Aküler ile çalışırken el aletleri, saatler veya takılar dahil olmak üzere herhangi bir metal nesneyi kullanmayın veya takmayın. Herhangi bir metal nesne akü üzerine düşerse, elektrik çarpması, yangın, patlama sonucu yaralanma, ölüme veya maddi hasara neden olabilecek kıvılcım veya kısa devre meydana getirebilir. **Çocuklar.** Ürün, "Alıcı" tarafından bir çocuk tarafından kullanılacak şekilde planlanmış ise, satınalan yetişkin, kullanmadan önce herhangi bir çocuk için ayrıntılı talimatlar ve uyarıları vermeyi kabul eder. Bunun yapılmaması, NOCO'yu bir çocuk tarafından istenmeyen veya yanlış kullanım için tazmin etmeyi kabul eden "Alıcı"nın tek sorumluluğundadır. **Boğulma Tehlikesi.** Aksesuarlar çocuklar için boğulma tehlikesine yol açabilirler. Çocukları ürün veya herhangi bir aksesuar ile tek başına bırakmayın. Ürün bir oyuncak değildir. **Kullanım.** Ürünü dikkatli bir şekilde kullanın. Ürün düşürüldüğünde zarar görebilir. Gövde çatlakları veya hasarlı kablo dahil ama bunlarla sınırlı olmamak üzere hasar görmüş ürünü kullanmayın. Hasarlı kablolu ürünü kullanmayın. Nem ve sıvılar ürüne zarar verebilir. Ürünü veya herhangi bir elektrikli parçayı herhangi bir sıvının yakınında kullanmayın. Ürünü kuru alanlarda saklayın ve çalıştırın. Ürünü hemli halindeyken çalıştırmayın. Ürün kullanım sırasında ıslanırsa, hemen çalışmasını durdurun ve aküyü çıkarın. Ürünü, elektrik prizinden kablosunu çekerek çıkarmayın. **Modifikasyonlar.** Ürünün herhangi bir parçasını değiştirmeye, üzerinde değişiklik yapmaya veya tamir etmeye kalkışmayın. Ürünün sökülmesi, kişisel yaralanmalara, ölüme ya da maddi hasara yol açabilir. Ürün hasar görürse, arızalanırsa veya herhangi bir sıvı ile temas ederse, çalıştırılmasını durdurun ve NOCO ile temasa geçin. Ürün üzerinde yapılan herhangi bir değişiklik garantiyi geçersiz kılacaktır. **Aksesuarlar.** Bu ürün sadece NOCO aksesuarlarıyla birlikte kullanım için onaylanmıştır. NOCO, NOCO tarafından onaylanmamış aksesuarları kullanırken kullanıcı güvenliği veya hasarından sorumlu değildir. **Yerleştirme.** Ürün asidinin şarj cihazıyla temasını önleyin. Ürünü kapalı bir alanda veya havalandırmanın yetersiz olduğu bir yerde çalıştırmayın. Aküyü ürünün üzerine koymayın. Kablo, hareketli araç parçalarından (kaput ve kapılar dahil), hareketli motor parçalarından (fan bıçakları, kayışlar ve kasnaklar dahil) veya yaralanma veya ölüme sebebiyet verebilecek bir takılma tehlikesi oluşturan şeylerden uzakta tutun. **Çalışma sıcaklığı.** Bu ürün, -30°C ila 50°C arasındaki ortam sıcaklıklarında çalışacak şekilde tasarlanmıştır. Bu sıcaklık aralıklarının dışında ürünü çalıştırmayın. Donmuş aküleri takviye etmeyin. Akü aşırı ısınır, ürünün çalışmasını derhal durdurun. **Saklama.** Ürünü, yoğun toz veya havadaki maddeler bulunan alanlarda kullanmayın veya saklamayın. Ürünü devrilme veya düşme tehlikesine yol açmayacağı düz, emniyetli yüzeylerde saklayın. Ürünü, kuru bir yerde saklayın. Saklama sıcaklığı -20°C ila 25°C'dir (ortalama sıcaklık). Herhangi bir koşulda asla 80°C'yi geçmeyin. **Uyumluluk.** Ürün yalnızca 12 voltluk ve 24 volt kurşun asitli akü sistemleri ile uyumludur. Ürünü başka tür pillerle kullanmaya çalışmayın. Diğer pillerin kimyasına atlama, yaralanma, ölüm veya maddi hasarlara neden olabilir. Pili başlatmaya başlamadan önce pil üreticisine başvurun. Pilin özel kimyasından veya voltajından emin değilseniz, bir pili başlatmayın. **Akü.** Üründeki dahili lityum-iyon akü yalnızca NOCO tarafından değiştirilmeli ve evsel atıklardan ayrı olarak geri dönüştürülmeli veya atılmalıdır. Aküyü kendiniz

değiştirmeye çalışmayın ve zarar görmüş veya sızıntı yapan bir lityum-iyon aküyü kullanmayın. Aküyü evsel atıklarla asla atmayın. Akülerin evsel atıklarla atılması, eyalet ve federal çevre kanunlar ve yönetmeliklerine göre yasadışıdır. Kullanılmış aküleri daima yerel akü geri dönüşüm merkezimize götürün. Ürün aküsü aşırı derecede sıcaksa, bir koku yaydığı anda, deforme olduğunda, kesilmiş ise veya anormal bir durum gösteriyor veya teşhir ediyorsa, derhal tüm kullanımını durdurun ve NOCO ile iletişime geçin. **Akünün Şarj Edilmesi.** Ürünü birlikte verilen 12V DC Adaptör veya 56W XGC Güç Adaptörü ile şarj edin. Kişi, cihaz ve mülkiyetin yaralanmasına neden olabilecek ciddi bir elektrik riski oluşturabileceğinden düşük kaliteli güç adaptörlerini kullanmaya dikkat edin. Hasarlı kabloları veya şarj cihazlarını kullanmak veya nem mevcutken şarj etmek elektrik çarpmasına neden olabilir. NOCO, NOCO tarafından onaylanmamış aksesuar veya sarf malzemeleri kullanırken kullanıcının güvenliğinden sorumlu değildir. Güç adaptörleri normal kullanım sırasında ısınabilir ve uzun süreli cilt teması bedensel yaralanmalara neden olabilir. Güç adaptörlerini kullanırken her zaman yeterli havalandırmaya izin verin. Pil ömrünü uzatmak için, aşırı şarj işlemi pil ömrünü kısaltabileceğinden, ürününüzü bir haftadan fazla şarj etmemelidir. Zamanla, kullanılmayan bir ürün deşarj olur ve kullanılmadan önce şarj edilmelidir. Ürünü kullanmadığınız zamanlarda güç kaynaklarından çıkarın. Ürünü yalnızca amaçlanan amaçlar için kullanın. **Tıbbi Cihazlar.** Ürün elektromanyetik alanları yayabilir. Ürün, kalp pilleri, defibrilatörler veya diğer tıbbi cihazlarını olumsuz etkileyebilecek manyetik bileşenleri içerir. Bu elektromanyetik alanlar, kalp pilleri veya diğer tıbbi cihazlarını olumsuz etkileyebilirler. Kalp pili dahil olmak üzere herhangi bir tıbbi cihazınız varsa, ürünü kullanmadan önce doktorunuza danışın. Ürünün tıbbi bir cihaza olumsuz etkilediğinden şüphelenirseniz, ürünü derhal kullanmayı bırakın ve doktorunuza danışın. **Tıbbi Kanıtlar.** Kasılma nöbeti, baygınlık, göz yorgunluğu veya baş ağrısı da dahil ama bunlarla sınırlı olmamak üzere ürünün etkilenebileceğini düşündüğünüz tıbbi kanıtınız varsa ürünü kullanmadan önce doktorunuza danışın. Entegre çok güçlü bir fenerinin kullanımı hafif hassasiyet tehlikesini içerir. Flaş Lambası Modunda fener kullanımı, ışığa duyarlı epilepsisi olan kişilerde kasılma nöbetlerine neden olabilir; bu da ciddi yaralanma veya ölüme neden olabilir. **Işık.** Fenerin ışığına doğrudan bakması kalıcı göz hasarına neden olabilir. Ürün, en yüksek ayarda güçlü bir ışın yayan yüksek çıkışlı, önceden odaklanmış LED feneri ile donatılmıştır. **Temizlik.** Herhangi bir bakım veya temizlik işlemi yapmadan önce ürünün fişini prizden çekin. Ürünü, sıvı veya herhangi bir kirlenici madde ile temas ederse derhal temizleyin ve kurutun. Yumuşak, lif bırakmayan (mikrofiber) bir bez kullanın. Açıklıkların nem almasından kaçının. **Patlayıcı Ortamlar.** Bütün güvenlik uyarılarını ve talimatlarını okuyun ve anlayın. Ürünü, yakıt doldurma alanları veya tahıl, toz veya metal tozları gibi kimyasal maddeler veya parçacıklar içeren alanlarda dahil patlama olasılığı bulunan herhangi bir yerde çalıştırmayın. **Ciddi Sonuçlar Doğuran Eylemler.** Bu ürün, ürünün arızalanması sonucunda yaralanma, ölüm ya da çevresel hasar ile sonuçlanabilecek uygulamalar için değildir. **Radio Frekans Girişimi.** Ürün, radyo frekans emisyonlarına ilişkin yönetmeliklere uygun olarak tasarlanmış, test edilmiş ve üretilmiştir. Üründen gelen bu tür emisyonlar, diğer elektronik cihazların çalışmasını olumsuz şekilde etkiler ve cihazın arızalanmasına neden olabilir. **Model Numarası: GB500.** Bu cihaz, Federal İletişim Komisyonu (FCC) Kuralları Bölüm 15 ile uyumludur. Kullanım aşağıdaki iki koşula bağlıdır: (1) bu cihaz zararlı girişime neden olmayabilir ve (2) bu cihaz, istenmeyen çalışmaya neden olabilecek zararlı girişimler dahil olmak üzere, alınan girişimi kabul etmelidir. NOT: Bu ekipman test edilmiş ve Federal İletişim Komisyonu (FCC) Kurallarının 15. Bölümüne göre Sınıf A dijital cihaz sınırlamalarına uyduğu tespit edilmiştir. Bu sınırlar, ekipman ticari bir ortamda çalıştırıldığında zararlı girişime karşı makul koruma sağlamak üzere tasarlanmıştır. Bu ekipman radyo frekans enerjisini üretir, kullanır ve yayabilir; kullanım kılavuzuna uygun olarak kurulmamış ve kullanılmamışsa, radyo iletişiminde zararlı girişimine neden olabilir. Bu ekipmanın bir konut alanında çalıştırılması, zararlı girişime neden olabilir ve bu durumda kullanıcının girişimi kendisinin karşılaması gerekir.

Nasıl Kullanılır

1.Adım: GB500'ı şarj edin.

GB500 kutudan kısmen şarj edilmiş olarak gelir ve kullanımdan önce tamamen şarj edilmesi gerekir. GB500'ü birlikte verilen 12V Adaptör veya 56W XGC Güç Adaptörünü 12V IN girişine bağlayın. Şarj edilmesi için GB500 12V modunda olmalıdır. Şarj edilmeden önce voltaj seçme düğmesinin 12V konumunda olduğundan emin olun. XGC 12V IN bağlantı noktası, dahili lityum pilin güvenli ve etkili şekilde şarj edilmesini sağlamak için 12V, 5A olarak derecelendirilmiştir. FCC yönetmelikleri gereği, ünitenin aynı anda şarj edilmesini ve deşarj edilmemesini öneririz. Bir GB500'ü şarj etme süresi boşaltma seviyesine ve kullanılan güç kaynağına göre değişir. Gerçek sonuçlar pil durumuna bağlı olarak değişiklik gösterebilir.

25% 50% 75% 100%



Şarj sırasında dahili akünün şarj seviyesi Şarj LED'leri ile gösterilir. LED'ler, yavaşça yanıp sönecek ve dört Şarj LED'inin tümü açık olana kadar sürekli yanacaktır. Akü tamamen şarj olduktan sonra yeşil 100% Şarj LED ışığı sürekli yanacak ve 25%, 50% ve 75% Şarj LED ışıkları söneceklerdir. Zaman zaman yeşil 100% Şarj LED ışığı, şarj gerçekleştiğini göstererek yanıp sönecektir.

12V DC Şarj Etme (60W).

Şarj edilmesi için GB500 12V modunda olmalıdır. Şarj edilmeden önce voltaj seçme düğmesinin 12V konumunda olduğundan emin olun. 12V Kablosunu GB500'ün 12V giriş portuna, diğer ucunu Male 12V Fişine bağlayın. Güçlendirilmiş bir 12V AUX Fişi (Çakmak Portu) takın.

AC Şarjı (56W).

Şarj edilmesi için GB500 12V modunda olmalıdır. Şarj edilmeden önce voltaj seçme düğmesinin 12V konumunda olduğundan emin olun. XGC 12V Kablosunu GB500'ün 12V giriş bağlantı noktasına ve 56W Güç Adaptörünün diğer ucunu AC güce (100-240VAC Duvar Çıkışı) bağlayın.

12V Aygıtlarınızı Güçlendirmek.

12V OUT'u etkinleştirmek için GB500 12V modunda olmalıdır. 12V Kablosunu GB500'ün 12V ÇIKIŞI portuna, diğer ucunu Dişi 12V Soketine (12V AUX / Çakmak Bağlantı Noktası) bağlayın. Herhangi bir standart 12V cihazınızı (15A'a kadar) 12V fişle takın ve cihazınızı çalıştırmaya başlamak için GB500'ü "Açık" konumuna getirin.

2.Adım: Aküye Bağlanması.

Aracın hızlı çalıştırılmasına özel talimatları ve tavsiye edilen yöntemlerle ilgili araç el kitabını dikkatli bir şekilde okuyun ve anlayın. Ürünü kullanmadan önce akünün kullanım kılavuzuna başvurarak akünün voltajını ve kimyasını belirlediğinizden emin olun. GB500 sadece 12 voltluk ve 24

Şarj Süresi: 6-8 saat

12V DC Kablo veya AC Güç Adaptörü kullanarak tamamen boşalmış bir üniteyi şarj edin. Şarj süresi, deşarj seviyesine bağlı olarak değişir.

voltluk kurşun asitli akü sistemlerine atlamak içindir. Pile bağlanmadan önce, pil sistemi voltajını doğrulayın. Voltaj seçim düğmesinin, atlama başlamış olan pil sistemine uygun olan doğru konumda (12V veya 24V) olduğundan emin olun. Ünite bir aküye bağlıyken voltajı kesinlikle değiştirmeyin. Voltajı sadece ünite kapalıyken değiştirin. Aküye bağlanmadan önce, 12 voltluk kurşun asitli bir akününün olduğunu doğrulayın. GB500 başka akü tipleri için uygun değildir. Akü terminallerindeki doğru kutup başlarını belirleyin. Artı akü kutup başı genellikle (POS, P, +) harfler veya sembollerle işaretlenir. Eksi akü kutup başı genellikle (NEG, N, -) harfler veya sembollerle işaretlenir. Karbüratöre, yakıt hatlarına veya ince, sac metal parçalara herhangi bir bağlantı oluşturmayın. Aşağıdaki talimatlar negatif bir topraklama sistemi içindir (en yaygın olanı). Aracınız pozitif bir topraklama sistemi (çok nadiren) ise, aşağıdaki talimatları ters sırayla uygulayın.

- 1.) Negatif (siyah) Boost Max Konektörünü GB500'teki negatif porta bağlayın.
- 2.) Pozitif (kırmızı) Boost Max Konektörünü GB500'teki pozitif bağlantı noktasına bağlayın.
- 3.) Maşaları takmadan önce her zaman kutup başlarını temizleyin. NOT: Kusurlu bağlantılar veya kirli kutup başları, duman çıkmasına neden olabilir. Çok düşük voltaja sahip olan aküler de duman çıkma olasılığını artırır.
- 4.) Pozitif (kırmızı) Boost Max Konektörünü pozitif (POS, P, +) pil terminaline bağlayın.
- 5.) Negatif (siyah) Boost Max Konektörünü negatif (NEG, N, -) pil terminaline veya araç şasisine bağlayın. (Şasiye topraklama yapmak, takviye ile çalıştırma uygulamaları için uygun olmayabilir.)
- 6.) Bağlantıyı keserken ters sırada sökün, negatif ilk kaldırın (veya pozitif topraklama sistemleri için pozitif ilk önce).

3.Adım: **Takviye Etme.**

- 1.) Aracı çalıştırmaya başlamadan önce aracın tüm güç yüklerinin (farlar, radyo, klima vb.) kapalı olduğundan emin olun. Araçta bir Ana Şalter varsa "açık" konuma getirin.
- 2.) Takviye etmeyi başlatmak için açma/kapama düğmesine basın. Tüm LED ışıkları düzgün çalıştıklarını göstererek yanıp söneceklerdir. Aküye doğru bir şekilde bağladıysanız Beyaz Güç Artırma LED Işığı yanacaktır. Akü kelepçeleri tersine bağlanırsa, Kırmızı Hata LED Işığı yanacaktır. Bu hatayı düzeltmek için bağlantıları tersine çevirin ve bundan sonra Beyaz Güç Artırma LED Işığı yanacaktır. Beyaz Güç Artırma LED Işığı, GB500 aracınızı takviye ile çalıştırmak hazır olduğunda yanar.3.) Aracı çalıştırmayı deneyin. Çoğu araç hemen çalıştırılacaktır. Bazı araçlar, GB500'in çalıştırmadan önce 30 saniye kadar bağlanmasını gerektirebilir. Araç hemen çalıştırılmazsa, 20-30 saniye bekleyin ve tekrar deneyin. 15 (on beş) dakika içinde 5 (beş)'ten fazla üst üste çalıştırmaya kalkışmayın. Aracı tekrar çalıştırmaya başlamadan önce GB500'in 15 (on beş) dakika dinlenmesine izin verin.
- 4.) Aracınızı çalıştırdıktan sonra, akü kısıkaçlarını ve GB500'i çıkarın.

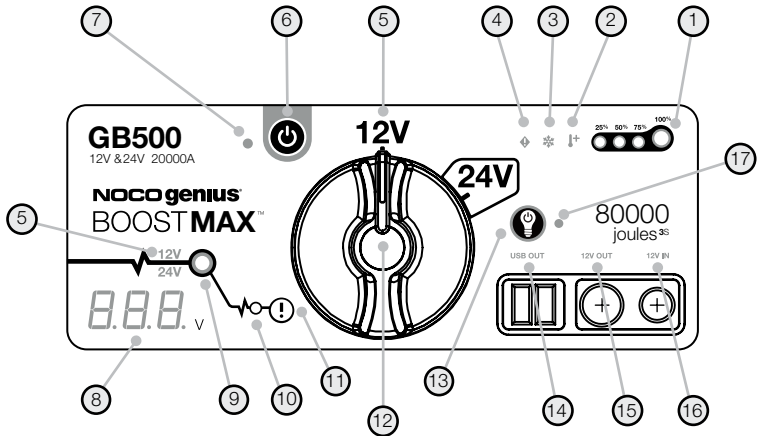
Düşük Voltaj Aküler ve Manuel Ararı.

GB500, 2 volta kadar düşük voltajlı 12 voltluk kurşun-asit aküleri takviye etmek için tasarlanmıştır. Akünüz 2 volt'un altında ise, Güç Artırma LED Işığı yanmaz. Bu, GB500 bir aküyü tespit edemez olduğunu gösterir. 2 völdan daha az olan bir aküyü takviye etmek gerekiyorsa, takviye etme işlevini açık konumunda zorlamaya izin veren bir Manuel Ararı özelliği bulunur.

DİKKAT.




BU MODU EXTREME BAKIMI İLE KULLANIN. BU MODE, SADECE 12 VOLT VEYA 24 VOLT KURŞUN-ASİT PİLLER İÇİN. GERİLİM SEÇİMİ KNOB'UN DOĞRU KONUMUNDA (12V VEYA 24V) olduğundan emin olun, AKÜSYON SİSTEMİNİN ZILLA BAŞLADIĞINA UYGUN OLUN. BU MODDA KIVILCIM KORUMASI VE TERS

KUTUP BAĞLANTI'YA KARŞI GÜVENLİK ÖZELLİKLERİ YOKTUR. BU MODU KULLANMADAN ÖNCE AKÜ TERMINALLERİNDEKİ KUTUP BAŞLARINI ÇOK DİKKATLİ KONTROL EDİN. ÜRÜN KIVILCIM OLUŞTURACAĞINDAN AKÜNÜN ARTI VE EKŞİ KISKAÇLARININ BİRBİRİNE DOKUNMASI VEYA BAĞLANMASINA İZİN VERMEYİN. BU MOD, UYGUN BİR ŞEKİLDE KULLANILMADIĞINDA KIVILCIM VEYA YÜKSEK ISIYA NEDEN OLABİLEN ÇOK YÜKSEK AKIM (20,000 AMPER'E KADAR) KULLANIR. BU MODUN NASIL KULLANACAĞINIZDAN EMİN DEĞİLSENİZ, PROFESYONEL YARDIMA BAŞVURUN.



- 1. Dahili Pil Seviyesi** Dahili pilin şarj seviyesini gösterir.
- 2. Sıcak LED Yanıyor Koyu Kırmızı;** ünite tamamen çalışır durumda, ancak üst sıcaklık sınırına yaklaşıyor. Yanıp Sönen Kırmızı; ünite başlangıçta atlamak için çok sıcak, ancak diğer fonksiyonlar hala mevcut.
- 3. Soğuk LED Mavi'yi aydınlatır;** ünite tamamen çalışır durumda, ancak daha düşük sıcaklık sınırına yaklaşıyor. Yanıp Sönen Mavi; ünite başlangıçta atlamak için çok soğuk, ancak diğer işlevler hala kullanılabilir..
- 4. Ters polarite algılanırsa,** Hata LED'i Yanıp Söner.
- 5. Voltaj Göstergesi** GB500'ün şu an için ayarlanmış olan pil sistemi voltajını gösterir. 12V modunda Beyaz 12V, 24V modunda 24V, mavi renkte yanar.
- 6. Güç Düğmesi** Üniteyi "Açık" ve "Kapalı" durumuna çevirmek için basınız.
- 7. Güç LED'i** ünite "Açık" olduğunda Illuminates "ı gösterir.
- 8. Voltmetre** Dahili voltmetre, gelişmiş teşhis ve sorun giderme için aracın aküsünün voltajını okur. Voltmetre, pil kelepçeleri bağlı olduğunda - cihaz kapalı olsa bile, herhangi bir pil voltajını (veya pil sistemini) otomatik olarak okuyacaktır. Voltmetre, ~ 3V ila ~ 30V arasındaki voltajı okuyacaktır. Bağlanan pil 3V'un altındaysa hiçbir şey görünmez. Bu durumda, farın veya aracın çalıştırılmaya çalışılmadan önce kapanması gereken bir AC fanı gibi pilin üzerinde bir yük (ler) olması muhtemeldir.
- 9. Boost LED'i,** Boost etkin olduğunda yanar. Ünite bir pille düzgün bir şekilde bağlanmışsa, GB500 otomatik olarak bir pili algılar ve Artırma moduna geçer (Elle Yükseltme özelliği etkin olduğunda Beyaz LED yanıp söner).
- 10. Manuel Geçersiz Kılma LED'i** Manuel Geçersiz Kılma etkinleştirildiğinde Koyu Kırmızı renkte yanar.
- 11. Manuel Geçersizleştirme Düğmesi** Üç (3) saniye boyunca basılı tutun. UYARI: Emniyet korumasını devre dışı bırakır ve Boost'u "Açık" olarak manuel olarak zorlar. Yalnızca bir pil algılanamayacak kadar düşük olduğunda kullanın.
- 12. Gerilim Seçme Düğmesi** 12V ve 24V modları arasında geçiş yapmak için çevirin.
- 13. Işık Modu Düğmesi** Işıkları 7 ışık modu arasında geçiş yapar:% 100>% 50>% 10> SOS> Yanıp Sönme> Strobe> Kapalı.
- 14. USB Çıkışı LED'i** Beyaz Yanıyor; USB Çıkışı işlevi hem 12V hem de 24V modlarında kullanılabilir.
- 15. 12V Çıkışı LED'i** Beyaz Yanıyor; 12V Çıkış işlevi yalnızca 12V modunda kullanılabilir.
- 16. LED'teki 12V,** Beyaz Aydınlatır; 12V Giriş işlevi yalnızca 12V modunda kullanılabilir.
- 17. Işık Modu LED'i,** çalışma ışığı "Açık" olduğunda yanar; ünite kapalı.

Anıza giderme

Hata	Sebeup/Çözüm
 Hata LED'i: Koyu Kırmızı	Ters polarite tespit edildi. / Pil bağlantılarını ters çevirin.
Hata LED'i: Tek (1) Flaş	Kısa devre, pil kelepçelerinde tespit edildi. / Tüm yükleri çıkarın, kelepçeleri aküye tekrar takın.
Hata LED'i: Çift (2) Flaş	Atlama Başlangıç süresi on (10) dakikadan fazla. / Güç üniteyi "kapat" sonra güç "Açık".
Hata LED'i: Üçlü (3) Flaş	Dahili ana anahtar hatası. / Voltaj seçimi düğmesinin 12V veya 24V pozisyonunda doğru bir şekilde konumlandırıldığından emin olun.
Hata LED'i: Dörtlü (4) Flaş	Şarj sırasında kötü pil tespit edildi. / Üniteyi kapatın, NOCO desteğine başvurun.
Hata LED'i: Beşli (5) Flaş	XGC OUT aşırı akım hatası. / XGC OUT'dan yük kaldırın, daha sonra üniteyi "Kapatın" sonra güç "Açık".
 Sıcak LED: Katı	Ünite tamamen çalışır durumda, ancak üst sıcaklık sınırına yaklaşıyor. / Ünitenin soğumasına izin verin.
Sıcak LED: Yanıp Sönüyor	Birim başlamak için çok sıcak, ancak diğer işlevler hala mevcut. / Ünitenin soğumasına izin verin.
Sıcak LED: Sonra Tüm LED'ler yanıp söner kapalı	Ünite, başlamak veya diğer işlevleri kullanmak için çok sıcak. / Ünitenin soğumasına izin verin ve üniteyi soğutucuya getirin ortamı.
 Soğuk LED: Katı	Birim tamamen çalışır durumda, ancak daha düşük sıcaklık sınırına yaklaşıyor. / Ünitenin ısınmasına izin verin.
Soğuk LED: Yanıp Sönen	Birim başlamak için çok soğuk ancak diğer işlevler hala mevcut. / Ünitenin ısınmasına izin verin.
Soğuk LED: Yanıp Sönüyor Sonra Tüm LED'ler kapalı	Ünite başlamak veya diğer işlevleri kullanmak için çok soğuk. / Ünitenin ısınmasına izin verin ve üniteyi daha sıcak bir ortama getirin.
Teknik not	Lityum iyon piller kullanıldığında kendiliğinden ısınır. Soğuk Hata LED'i yanarsa, pili ısıtır ve arızayı gidermek için birden fazla atlama başlatmayı deneyin. Tipik olarak 3-4 sıçrama başlangıcı ılık pili çıkarın ve hatayı çıkarın.

Teknik Özellikleri

Dahili Akü:	Lityum-iyon (Wh 266)
Maksimum Akım Oranı:	20,000A
Jul 3S:	80,000+
Çalışma Sıcaklığı:	-30°C - +50°C (-22°F - +122°F)
Şarj Sıcaklığı:	0°C - +40°C (32°F - +104°F)
Saklama Sıcaklığı:	-20°C - +50°C (-4°F - +122°F) (Ortalama sıcaklık)
USB (Çıkış):	çift 5V, 2,1A
12V (Giriş):	12V, 5A
12V (Çıkış):	12V, 15A
Gövde Koruması:	IP65 (Bağlantı Noktaları Kapalıdır)
Soğutulması:	Doğal Taşınım
Boyutlar (U x G x Y):	12,25 x 8,25 x 2,25 Inches (311,15 x 209,55 x 57,15 mm)
Ağırlık:	19 Libre

Garanti

NOCO Genius Bir (1) Yıllık Sınırlı Garanti.

NOCO Company ("NOCO"), bu ürünün ("Ürün") satın alındığı tarihten itibaren bir (1) yıllık ("Garanti Süresi") bir süre boyunca malzeme ve işçilik kusurlarından arınacağına garanti etmektedir. Garanti Süresi boyunca bildirilen kusurlar için, NOCO kendi takdirine bağlı olarak NOCO'nun teknik destek analizine tabi olarak hasarlı ürünleri onarır veya değiştirir. Değiştirilen parçalar ve ürünler orijinal parça ve ürünlerle fonksiyon ve performans olarak karşılaştırılabilir olarak yeni veya servis edilecek şekilde kullanılabilir ve orijinal Garanti süresinden kalan süre boyunca garanti altındadır.

NOCO'NUN SORUMLULUĐU, DEĐİŐTİRME VEYA TAMİR ETME İLE SINIRLIDIR. KANUN TARAFINDAN İZİN VERİLEN MAKSİMUM SEVİYE DAHİLİNDE, URUN İLE HERHANGİ BİR SEKİLDE ALAKALI, NOCO BENZER ZARARLARDAN HABERDAR OLSA DAHI, NE SEKİLDE MEYDANA GELMİŐ OLURSA OLSUN KAZANCI KAYBI, MADDİ ZARAR VEYA KİŐİSEL YARALANMAYI İCEREN FAKAT BUNUNLA SINIRLI OLMAYAN HERHANGİ BİR ÖZEL, DOLAYLI, VEYA MİŐAL OLACAK ZARARLARLARDAN DOLAYI NOCO HERHANGİ BİR URUN ALICISINA VEYA HERHANGİ BİR ÜCUNCU TARAFI KARŐI SORUMLU DEĐİLDİR. BURADA BELİRTİLEN GARANTİLER, SATILABİLİRLİK VE BELİRLİ BİR AMACA UYGUNLUK İLE İLGİLİ ZİMNİ GARANTİLER VE SINIRLAMA OLMAMAK ÜZERE ACIK, ZİMNİ, KANUNİ TARAFINDAN KAYNAKLANAN TÜM DİĐER GARANTİLERDEN DEĐİLDİR VE BORSI, KULLANIM VEYA TİCARİ UYGULAMA DÜZEYİNDE KAYNAKLANAN GARANTİLER. YÜRÜRLÜKTEKİ YASALARIN KAPSAM DIŐINDAKİ VEYA HARİŐ TUTULAMAYACAK GARANTİLER, KOŐULLAR VE YÜKÜMLÜLÜKLERİ KAPSAM DIŐINDA, BU PARAGRAF, BÖYLE YASALARIN İZİN VERDİĐİ EN BÜYÜK ÖLÇÜDE UYGULANACAKTIR.

Bu Sınırlı Garanti, yalnızca Ürünün NOCO'dan orijinal alıcısının veya NOCO tarafından onaylanmış bir bayi veya distribütörün yararına olup atanabilir veya devredilebilir deĐildir. Garanti talebinde bulunmak için, satın alan kiŐi aŐaĐıdakileri yapmalıdır: (1) support@no.co adresine e-posta göndererek veya 1.800.456.6626 numaralı telefondan arayarak, NOCO Destek Bölümünden bir mal iade yetkilendirme (RMA) numarası ve dönüŐ konumu bilgisi ("Geri DönüŐ Konumu") isteyin ve alın; ve (2) arızalı Ürünün üreticinin tüketici için önerdiĐi satış fiyatının (MSRP) %45'i ("Garanti Ücreti"), RMA numarası, makbuz veya garanti ücreti (yalnızca makbuz vermiyorsa ücret gereklidir) dahil olmak üzere [RMA'ya geçerli Garanti Ücreti tutarı içerir] Geri DönüŐ Konumuna gönderin. NOCO DESTEK BÖLÜMÜNDEN RMA NUMARASINI ALMADAN ÖNCE ÜRÜNÜ GÖNDERMEYİNİZ.

İLK ALICI, GARANTİ HİZMETLERİ İÇİN TÜM AMBALAJ VE TAŐIŐI MALİYETLERİNİ SORUMLUYOR (VE PEŐİN ÖDEMELİ).

YUKARIDA BELİRTİLEN BU SINIRLI GARANTİ AŐAĐIDAKİ ÜRÜNLER İÇİN GEÇERLİ DEĐİLDİR: (a) ürün yanlış veya dikkatsiz kullanılmış ise veya kaza, yanlış saklama veya aşırı sıcaklık, aşırı voltaj, darbe veya NOCO'nun güvenli ve etkin kullanım için önerdiĐi titreŐimlerin ötesinde çalıştırılmış ise;(b) ürün yanlış kurulmuş, çalıştırılmış veya bakımı yapılmış ise; (c) ürün, NOCO'nun yazılı onayı olmaksızın deĐiŐtirilmiş ise; (d) ürün, NOCO dıŐındaki herhangi biri tarafından sökülmüŐ, deĐiŐtirilmiş veya tamir edilmiş ise; (e) Garanti Süresinin sonunda kusurların rapor edildiĐi durumlarda.

BU SINIRLI GARANTİ AŐAĐIDAKİLERİ KAPSAMAZ: (1) Genel aşınma ve yıpranma; (2) işlevini ETKİLEMEYEN kaplama hasarı; veya (3) NOCO seri numarasının eksik, deĐiŐtirilmiş veya bozmuş olduĐu ürünler.

NOCO ürününüzü Őu adresten online kayıt edebilirsiniz: no.co/register. Garantiniz ya da ürününüzle ilgili herhangi bir sorunuz varsa, NOCO Destek Bölümüne (yukarıdaki e-posta ve telefon numarasından) başvurun veya Őu adrese yazın: The NOCO Company, at 30339 Diamond Parkway, #102, Glenwillow, OH 44139 USA.

NOCO genius[®] BOOSTMAX[™]

GB500



NIEBEZPIECZEŃSTWO

Podręcznik użytkownika i gwarancja



PRZED UŻYCIEM PRODUKTU PRZECZYTAĆ ZE ZROZUMIENIEM WSZYSTKIE INFORMACJE DOTYCZĄCE BEZPIECZEŃSTWA. Nieprzestrzeganie tych instrukcji bezpieczeństwa może skutkować **PORAŻENIEM ELEKTRYCZNYM, WYBUCHEM, POŻAREM**, które mogą doprowadzić do **POWAŻNYCH OBRAŻEŃ, ŚMIERCI** lub **USZKODZENIA WŁASNOŚCI**.



Porażenie elektryczne. Produkt jest urządzeniem elektrycznym, które może porazić i spowodować poważne obrażenia. Nie przecinać przewodów zasilania. Nie zanurzać w wodzie nie moczyć.



Wybuch. Niemonitorowane, niekompatybilne lub uszkodzone akumulatory mogą wybuchnąć, gdy są używane z produktem. Nie pozostawiać produktu bez nadzoru podczas używania. Nie wolno próbować uruchomić uszkodzonego lub zamrożonego akumulatora. Używać produktów tylko z akumulatorami o zalecanym napięciu. Obsługiwać produkt w prawidłowo wentylowanych miejscach.



Ogień. Produkt jest urządzeniem elektrycznym, który emituje ciepło i może powodować poparzenia. Nie przykrywać produktu. Nie palić ani nie stosować źródeł wyładowań elektrycznych lub ognia, obsługując produkt. Przechowywać produkt z dala od materiałów łatwopalnych.



Urazy oczu. Obsługując produkt, nosić środki ochrony oczu. Akumulatory mogą eksplodować i wyrzucić odłamki w powietrze. Kwas akumulatorowy może powodować podrażnienie oczu i skóry. W przypadku zanieczyszczenia oczu lub skóry, przepłukać dotknięty obszar czystą, bieżącą wodą i natychmiast skontaktować się z ośrodkiem kontroli zatruć.



Gazy wybuchowe. Praca w pobliżu akumulatorów kwasowo-ołowiowych jest niebezpieczna. W czasie normalnej pracy akumulatory wytwarzają gazy wybuchowe. Aby zredukować niebezpieczeństwo wybuchu akumulatora, należy przestrzegać wszystkich instrukcji bezpieczeństwa oraz instrukcji opublikowanych przez producenta akumulatora, a także wyposażenia, które ma pracować w pobliżu akumulatora. Zapoznać się z oznaczeniami ostrzegawczymi na tych produktach oraz na silniku.

Polski

Aby uzyskać bardziej szczegółowe informacje i wsparcie, odwiedź stronę:

www.no.co/support

Ważne ostrzeżenia dotyczące bezpieczeństwa

Propozycja 65. Bieguny akumulatora, zaciski i związane z nimi akcesoria zawierają środki chemiczne, w tym ołów. Według prawa stanu Kalifornia materiały te mogą powodować nowotwory, uszkodzenia płodu oraz bezpłodność. **Osobiste środki ostrożności.** Produktu należy używać tylko zgodnie z przeznaczeniem. Należy pracować w zasięgu głosu drugiej osoby lub na tyle blisko, aby druga osoba mogła przyjść z pomocą w razie problemów. Przechowywać w pobliżu zapasu czystej wody i mydła na wypadek zanieczyszczenia kwasem akumulatorowym. Pracując w pobliżu akumulatora, należy nosić pełny zestaw ochrony oczu oraz odzież ochronną. Zawsze myć ręce po obsłudze akumulatorów i materiałów powiązanych. Nie obsługiwać ani nie nosić metalowych przedmiotów, pracując z akumulatorami; dotyczy to między innymi narzędzi, zegarków i biżuterii. Gdy metal zostanie upuszczony na akumulator, może spowodować iskrę i zwarcie, skutkując porażeniem elektrycznym, pożarem, wybuchem, co z kolei może spowodować uraz, śmierć lub uszkodzenie własności. **Osoby Nieletnie.** Jeśli „Nabywca” chce, aby produkt był używany przez osobę nieletnią, to dokonując zakupu, zgadza się przedstawić nieletniemu szczegółowe instrukcje i ostrzeżenia przed użytkowaniem sprzętu. Odpowiedzialność za nieprzestrzeganie tego spoczywa w całości na „Nabywcy”, który zgadza się zwolnić firmę NOCO z odpowiedzialności za wszelkie niezamierzone lub niewłaściwe użytkowanie sprzętu przez osobę nieletnią. **Ryzyko Zadławienia.** Akcesoria mogą stanowić ryzyko zadławienia przez dzieci. Nie pozostawiać dzieci bez opieki w pobliżu produktu lub jego akcesoriów. Produkt nie jest zabawką. **Obsługa.** Z produktem należy się obchodzić ostrożnie. W przypadku uderzenia może ulec uszkodzeniu. Nie korzystać z uszkodzonego produktu, również gdy na obudowie pojawią się pęknięcia lub zostaną uszkodzone kable. Nie używać produktu, gdy uszkodzony jest przewód zasilający. Wilgotność i cieple mogą uszkodzić produkt. Nie używać produktu ani żadnych składników elektrycznych w pobliżu cieczy. Przechowywać i obsługiwać produkt w miejscach suchych. Nie używać, gdy będzie mokry. Gdy pracując produkt ulegnie zamoczeniu, natychmiast odłączyć od akumulatora i zaprzestać używania. Nie odłączać produktu, wyciągając przewody. **Modyfikacje.** Nie wolno podejmować prób zmiany, modyfikacji lub naprawy części produktu. Demontaż produktu może spowodować uraz, śmierć lub uszkodzenie produktu. Gdy produkt zostanie uszkodzony, ulegnie awarii lub wejdzie w kontakt z cieczą, zaprzestać jego używania i skontaktować się z NOCO. Wszelkie modyfikacje produktu spowodują unieważnienie gwarancji. **Akcesoria.** Ten produkt jest zatwierdzony wyłącznie do użytku z akcesoriami firmy NOCO. Firma NOCO nie jest odpowiedzialna za bezpieczeństwo użytkownika lub uszkodzenia wynikające z użytkowania akcesoriów niezatwierdzonych przez nią. **Lokalizacja.** Należy zapobiegać zetknięciu się kwasu akumulatorowego z produktem. Nie obsługiwać produktu w obszarze zamkniętym lub z ograniczoną wentylacją. Nie stawiać akumulatora na szczycie produktu. Ustawić wyprowadzenia kabli w sposób zapobiegający przypadkowym uszkodzeniom w czasie przenoszenia części pojazdu (również maski i drzwi), przenoszenia części silnika (także łopatek wentylatora, pasów i kół pasowych) lub zapobiegający potencjalnemu wypadkowi mogącemu doprowadzić do urazu lub śmierci. **Temperatura Pracy.** Ten produkt zaprojektowano do pracy w temperaturach otoczenia od -30°C do 50°C. Nie obsługiwać poza tym zakresem temperatur pracy. Nie uruchamiać zamrażniętego akumulatora. Zaprzestać używania produktu natychmiast, gdy akumulator nadmiernie się nagrzeje. **Przechowywanie.** Nie używać ani nie przechowywać produktu w miejscach o dużym stężeniu pyłu lub materiałów w powietrzu. Przechowywać produkt na płaskim, stabilnym podłożu, aby zapobiec przewróceniu go. Produkt przechowywać w suchym miejscu. Temperatura przechowywania wynosi -20°C do 25°C (temperatura średnia). Pod żadnym pozorem nie wolno przekraczać 80°C. **Zgodność.** Produkt jest kompatybilny wyłącznie z 12-woltowymi i 24-woltowymi akumulatorami kwasowo-ołowiowymi. Nie należy próbować używać produktu z jakimkolwiek innym rodzajem akumulatorów. Próby uruchomienia innych akumulatorów mogą spowodować obrażenia, śmierć lub uszkodzenie mienia. Skontaktuj się z producentem akumulatora przed próbą jego

naładowania. Nie próbuj ładować akumulatora, jeśli nie masz pewności co to jego rodzaju lub napięcia. **Akumulator.** Wbudowany akumulator litowo-jonowy może wymieniać wyłącznie firma NOCO, podlega recydingowi i powinien zostać zutyliizowany oddzielnie od odpadów komunalnych. Nie próbować wymienić samemu akumulatora ani obsługiwać uszkodzonego lub przeciekającego akumulatora litowo-jonowego. Pod żadnym pozorem nie wolno wyrzucać akumulatora z odpadami komunalnymi. Utylizacja akumulatorów z odpadami komunalnymi jest niezgodna z przepisami stanowymi i federalnymi dotyczącymi ochrony środowiska. Zużyte akumulatory należy zawsze przekazywać do lokalnego centrum recydingu akumulatorów. Gdy akumulator w produkcie zostanie nadmiernie nagrany, wydziela zapach, ulegnie deformacji, pęknie lub wykazuje nienaturalne zachowanie, należy natychmiast przerwać jego użytkowanie i skontaktować się z firmą NOCO. **Ładowanie Akumulatora.** Ładuj ten produkt za pomocą dołączonego zasilacza DC 12 V lub zasilacza 56W XGC. Należy uważać na zasilacze niskiej jakości, ponieważ mogą one stanowić poważne zagrożenie elektryczne, które może spowodować obrażenia osób, urządzeń i mienia. Używanie uszkodzonych kabli lub ładowarek lub ładowanie w obecności wilgoci może spowodować porażenie prądem. Firma NOCO nie ponosi odpowiedzialności za bezpieczeństwo użytkownika podczas korzystania z akcesoriów lub materiałów eksploatacyjnych, które nie są zatwierdzone przez NOCO. Zasilacze mogą się rozgrzać podczas normalnego użytkowania, a długotrwały kontakt ze skórą może spowodować obrażenia ciała. Zawsze należy zapewnić odpowiednią wentylację wokół adapterów zasilania podczas ich używania. Aby zapewnić maksymalną żywotność akumulatora, należy unikać ładowania urządzenia przez ponad tydzień, ponieważ przeladowanie może skrócić jego żywotność. Z czasem nieużywany produkt zostanie rozładowany i będzie wymagane jego ponowne naładowanie przed użyciem. Odłącz produkt od źródła zasilania, gdy nie jest używany. Produktu należy używać wyłącznie zgodnie z jego przeznaczeniem. **Urządzenia Medyczne.** Produkt może emitować pola elektromagnetyczne. Produkt zawiera elementy magnetyczne, które mogą zakłócać pracę rozruszników serca, defibrylatorów lub innych urządzeń medycznych. Te pola elektromagnetyczne mogą zakłócać pracę rozruszników serca lub innych urządzeń medycznych. Przed użyciem należy skonsultować się z lekarzem, jeżeli użytkownik korzysta z urządzeń medycznych, na przykład rozruszników serca. Jeżeli istnieje podejrzenie, że produkt zakłóca pracę urządzenia medycznego, należy natychmiast zaprzestać korzystania z urządzenia i skonsultować się z lekarzem. **Stany Chorobowe.** Jeżeli użytkownik ma jakiegokolwiek stany chorobowe, na które produkt może wpłynąć, takie jak: napady drgawkowe, utrata przytomności, przemęczenie oczu lub bóle głowy, przed użyciem produktu należy skontaktować się z lekarzem. Używanie zintegrowanej latarki o dużej mocy może być szkodliwe dla osób o nadwrażliwości na światło. Korzystanie ze światła w trybie stroboskopu może powodować u osób chorych na epilepsję ataki, które mogą skutkować poważnymi obrażeniami lub śmiercią. **Światło.** Wpatrywanie się bezpośrednio w światło latarki może spowodować trwałe uszkodzenie oczu. Produkt wyposażono w diodę LED o wysokiej mocy, która w najwyższym ustawieniu emituje bardzo silną wiązkę światła. **Czyszczenie.** Przed rozpoczęciem konserwacji lub czyszczenia wyłącz produkt. Produkt należy niezwłocznie wyczyścić i wysuszyć po zetknięciu z cieczą lub odpadami. Użyć miękkiej, niestrzępiącej szmatki (z mikrofibry). Unikać zawilgocenia otworów. **Środowiska Wybuchowe.** Przestrzegać wszystkich znaków i instrukcji. Nie obsługiwać produktu w środowisku wybuchowym, na przykład strefach tankowania lub strefach występowania środków chemicznych lub cząsteczek, takich jak ziarna, pył lub sproszkowane metale. **Działania o Dużym Ryzyku.** Ten produkt nie jest przeznaczony do pracy w sytuacjach, gdy jego awaria mogłaby doprowadzić do obrażeń ciała, śmierci lub poważnych szkód w środowisku. **Zakłócenia Radiowe.** Produkt zaprojektowano, testowano i jest wytwarzany zgodnie z przepisami dotyczącymi emisji fal radiowych. Emitowane z produktu fale mogą wpłynąć negatywnie na działanie innych urządzeń elektrycznych, powodując ich wadliwe działanie. **Numer Modelu: GB500. Opisywane urządzenie jest zgodne z Częścią 15 przepisów FCC.** Działanie podlega następującym warunkom: (1) urządzenie to nie może powodować szkodliwych zakłóceń, oraz (2) urządzenie to musi przyjmować wszelkie odbierane zakłócenia, również powodujące pożądane działanie. UWAGA: Urządzenie zostało sprawdzone i uznane za

zgodnie z wymaganiami dotyczącymi urządzeń cyfrowych klasy A, zgodnie z Częścią 15 przepisów FCC. Ograniczenia te zaprojektowano w sposób zapewniający rozsądną ochronę przed niebezpiecznymi zakłóceniami, gdy urządzenie jest używane w środowisku przemysłowym. Urządzenie wytwarza, wykorzystuje i może emitować energię o częstotliwości fal radiowych; gdy nie jest zainstalowane i obsługiwane zgodnie z instrukcją użytkownika, może powodować szkodliwe zakłócenia w komunikacji radiowej. Używanie tego urządzenia w dzielnicy mieszkalnej może doprowadzić do powstania szkodliwych zakłóceń, w wyniku czego użytkownik będzie zmuszony do usunięcia tych zakłóceń na własny koszt.

Sposób użycia

Krok 1: Naładować GB500.

Urządzenie GB500 jest częściowo naładowane od razu po wyjęciu z pudełka i musi zostać całkowicie naładowane przed użyciem. Podłącz GB500 za pomocą dołączonego zasilacza 12 V lub zasilacza 56W XGC do portu 12 V IN. GB500 musi być w trybie 12 V do naładowania. Przed rozpoczęciem ładowania upewnij się, że pokrętko wyboru napięcia znajduje się w pozycji 12 V. Port XGC 12 V IN ma znamionowe napięcie 12 V, 5 A, co zapewnia bezpieczne i wydajne ładowanie wewnętrznej baterii litowej. Ze względu na przepisy FCC zalecamy nie ładować i rozładowywać urządzenia w tym samym czasie. Czas doładowania GB500 będzie się różnił w zależności od poziomu rozładowania i użytego źródła zasilania. Rzeczywiste wyniki mogą się różnić w zależności od warunków akumulatora.

25% 50% 75% 100%



Podczas ładowania, diody LED ładowania wskazują poziom naładowania akumulatora. Diody LED będą powoli migać, a następnie świecić światłem stałym, aż wszystkie cztery diody zostaną zapalone. Gdy akumulator jest w pełni naładowany, świeci się zielona dioda 100%, a diody 25%, 50% i 75% są zgaszone. Od czasu do czasu zielona dioda 100% będzie pulsować, informując o przebiegającym ładowaniu konserwacyjnym.

Ładowanie 12 V DC (60W).

GB500 musi być w trybie 12 V do naładowania. Przed rozpoczęciem ładowania upewnij się, że pokrętko wyboru napięcia znajduje się w pozycji 12 V. Podłącz kabel 12 V do portu 12 V IN urządzenia GB500, a drugi koniec do męskiej wtyczki 12 V. Podłącz do zasilanej wtyczki 12 V AUX (gniazdo zapalniczki).

Ładowanie AC (56W).

GB500 musi być w trybie 12 V do naładowania. Przed rozpoczęciem ładowania upewnij się, że pokrętko wyboru napięcia znajduje się w pozycji 12 V. Podłącz kabel XGC 12 V do portu 12 V IN urządzenia GB500, a drugi koniec zasilacza AC 56W do zasilania sieciowego (gniazdka ścienna 100-240 V AC).

Zasilanie urządzeń 12 V.

GB500 musi być w trybie 12 V, aby uruchomić wyjście 12 V OUT. Podłącz kabel 12 V do portu 12 V OUT urządzenia GB500, a drugi koniec do żeńskiej wtyczki 12 V (12 V AUX) / gniazdo zapalniczki). Podłącz dowolne standardowe urządzenie 12 V (do 15 A) za pomocą wtyczki 12 V i włącz GB500, aby rozpocząć zasilanie urządzenia.

Czas ponownego ładowania:
6-8 godz.

Używanie kabla 12 V DC lub zasilacza AC do ładowania całkowicie rozładowanego urządzenia Czas ładowania będzie zależny od poziomu rozładowania.

Krok 2: Podłączyć akumulator.

Uważnie przeczytać ze zrozumieniem podręcznik właściciela pojazdu odnośnie określonych przeciwwskazań i zalecanych metod rozruchu pojazdu. Przed użyciem tego produktu należy ustalić prawidłowe napięcie i skład chemiczny akumulatora, konsultując się z podręcznikiem właściciela akumulatora. Urządzenie GB500 służy do podładowania wyłącznie 12-woltowych i 24-woltowych akumulatorów kwasowo-ołowiowych. Przed podłączeniem do akumulatora sprawdź napięcie w układzie. Upewnij się, że pokrętko wyboru napięcia znajduje się w prawidłowej pozycji (12 V lub 24 V), odpowiadającej ładowanemu systemowi akumulatora. Nigdy nie zmieniaj napięcia, gdy agregat jest podłączony do akumulatora. Napięcie można zmienić tylko wtedy, gdy agregat jest odłączony. Urządzenie GB500 nie służy do pracy z innymi typami akumulatorów. Zidentyfikować prawidłowe bieguny zacisków akumulatora. Dodatni zacisk bieguna na ogół oznaczają następujące litery lub symbole (POS, P+). Ujemny zacisk bieguna na ogół oznaczają następujące litery lub symbole (NEG, N-). Nie podłączać urządzenia do gaźnika, przewodów paliwowych lub cienkich, metalowych elementów poszycia. Poniższe instrukcje dotyczą masy w przewodzie bieguna ujemnego (najczęściej spotykane). Gdy pojazd użytkownika ma masę w przewodzie bieguna dodatniego (bardzo rzadkie), należy przestrzegać poniższej instrukcji w odwróconej kolejności.

- 1.) Podłącz ujemny biegun (czarny) złącza Boost Max do ujemnego portu w GB500.
- 2.) Podłącz dodatni biegun (czerwony) złącza Boost Max do dodatniego portu w GB500.
- 3.) Zawsze wyczyść terminale przed podłączeniem do zacisków. UWAGA: Błędne podłączenia lub brudne terminale mogą wywołać dym. Akumulatory z bardzo niskim napięciem dodatkowo zwiększają prawdopodobieństwo wystąpienia dymu.
- 4.) Podłącz dodatni biegun (czerwony) złącza Boost Max do dodatniej (POS, P, +) klemy akumulatora.
- 5.) Podłącz ujemny biegun (czarny) złącza Boost Max do ujemnej (NEG, N, -) klemy akumulatora lub karoserii pojazdu. (Uziemienie podwozia może okazać się niewłaściwe przy rozruchu dużych aplikacji).
- 6.) Rozłączaj w odwrótej kolejności, odłączając najpierw ujemny biegun (lub dodatni w przypadku układów z dodatnim uziemieniem).

Krok 3: Rozruch.

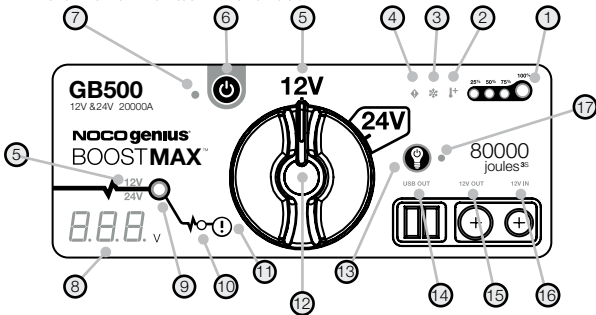
- 1.) Przed próbą rozruchu silnika upewnij się, że obciążenia pojazdu (reflektory, radio, klimatyzacja, itp.) są wyłączone. Jeśli pojazd jest wyposażony w Wyłącznik Główny, zmień jego ustawienie na "włączony".
- 2.) Nacisnąć przycisk zasilania, aby rozpocząć rozruch. Zapala się wszystkie diody LED, informując o prawidłowym działaniu. Gdy użytkownik podłączy urządzenie do akumulatora, zapali się biała dioda LED doładowania. Jeśli klemy na akumulatorze są podłączone na odwrót, zapali się czerwona dioda LED informująca o błędzie. Odwrócić połączenia, aby skorygować błąd; następnie zapali się biała dioda LED doładowania. Gdy świeci się biała dioda LED doładowania, oznacza to, że urządzenie GB500 jest gotowe do uruchomienia silnika pojazdu.
- 3.) Spróbować uruchomić pojazd. Większość pojazdów uruchomi się natychmiast. Niektóre mogą wymagać podłączenia urządzenia GB500 przez co najmniej 30 sekund przed uruchomieniem pojazdu. Jeśli pojazd nie uruchomi się natychmiast, odczekać 20-30 sekund i spróbować ponownie. Nie podejmować więcej niż pięć (5) kolejnych prób uruchomienia w ciągu piętnastu (15) minut. Odczekać piętnaście (15) minut przed ponowną próbą uruchomienia pojazdu za pomocą urządzenia GB500.
- 4.) Po uruchomieniu pojazdu odłączyć zaciski urządzenia GB500 i usunąć urządzenie.

Niskie Napięcia Akumulatora i Ręczne Obejście.

Urządzenie GB500 zaprojektowano do uruchamiania akumulatorów kwasowo-ołowiowych 12 V, gdy napięcie spadnie do 2 V. Jeśli napięcie akumulatora spadnie poniżej 2 V, dioda LED doładowania zostanie wyłączona. Oznacza to, że urządzenie GB500 nie wykrywa akumulatora. Jeśli zajdzie konieczność uruchomienia akumulatora, którego napięcie spadło poniżej 2 V, można użyć funkcji ręcznego obejścia, która umożliwi wymuszenie funkcji rozruchu silnika.




PRZESTROGA.

KORZYSTAJ Z TEGO TRYBU PRZY ZACHOWANIU NAJWYŻSZEJ OSTROŻNOŚCI. TEN TRYB ODNOSI SIĘ WYŁĄCZNIE DO 12-WOLTOWYCH I 24-WOLTOWYCH AKUMULATORÓW KWASOWO-OŁOWIOWYCH. UPEWNI SIĘ, ŻE POKRĘTŁO WYBORU NAPIĘCIA ZNAJDUJE SIĘ W PRAWIDŁOWEJ POZYCJI (12 V LUB 24 V), ODPOWIADAJĄCEJ ŁADOWANEMU SYSTEMOWI AKUMULATORA. FUNKCJE OCHRONY PRZED WYŁADOWANIAM I ODWRÓCENIEM BIEGUNOWOŚCI SĄ WYŁĄCZONE. PRZED UŻYCIEM TEGO TRYBU ZWRÓCIĆ SZCZEGÓLNA UWAGĘ NA BIEGUNOWOŚĆ AKUMULATORA. NIE WOLNO DOPUŚCIĆ DO TEGO, ABY DODATNIA I UJEMNA KLEMA AKUMULATORA ZETKnęły SIĘ ZE SOBA, PONIEWAŻ W WYNIKU TEGO POWSTANĄ ISKRY. TRYB TEN WYKORZYSTUJE PRĄD O BARDZO WYSOKIM NATĘŻENIU (DO 20,000 A), KTÓRY W PRZYPADKU NIEPRAWIDŁOWEGO UŻYCIA MOŻE POWODOWAĆ POWSTAWANIE ISKIER I WYSOKIEJ TEMPERATURY. JEŚLI UŻYTKOWNIK NIE JEST PRZEKONANY DO UŻYCIA TEGO TRYBU, POWINIEN SKORZYSTAĆ Z PROFESJONALNEJ POMOCY.



- 1 . **Wewnętrzny poziom naładowania** Wskazuje poziom naładowania wewnętrznej baterii.
- 2 . **Wskaźnik LED wysokiej temperatury** Świeci na czerwono; jednostka jest w pełni sprawna, ale zbliża się do górnej granicy temperatury. Miga na czerwono; jednostka jest zbyt gorąca, aby zapewnić zasilanie, ale inne funkcje są wciąż dostępne.
- 3 . **Wskaźnik LED niskiej temperatury** Świeci na niebiesko; jednostka jest w pełni sprawna, ale zbliża się do dolnej granicy temperatury. Miga na niebiesko; jednostka jest zbyt zimna, aby zapewnić zasilanie, ale inne funkcje są wciąż dostępne.
- 4 . **Wskaźnik LED błędu** Świeci na czerwono, jeśli zostanie wykryta odwrócona polaryzacja.
- 5 . **Wskaźnik napięcia** Pokazuje układ wybrany aktualnie dla urządzenia GB500. Wskaźnik 12 V świeci się na biało, gdy urządzenie jest w trybie 12 V; wskaźnik 24 V świeci się na niebiesko, gdy urządzenie jest w trybie 24 V.
- 6 . **Przycisk zasilania** Wciśnij, aby włączyć lub wyłączyć urządzenie.
- 7 . **Wskaźnik LED zasilania** Świeci się na biało, gdy urządzenie jest włączone.
- 8 . **Woltomierz** Wbudowany woltomierz odczytuje napięcie akumulatora pojazdu w celu udoskonalenia diagnostyki i rozwiązywania problemów. Woltomierz automatycznie odczytuje napięcie dowolnego akumulatora (lub układu), gdy podłączone są jego zaciski – nawet jeśli urządzenie jest wyłączone. Woltomierz odczyta napięcie między ~ 3 V a ~ 30 V. Jeśli napięcie podłączonego akumulatora jest poniżej 3 V, nic się nie wyświetli. W takiej sytuacji akumulator prawdopodobnie posiada obciążenie, takie jak reflektory lub wentylator AC, które powinno zostać wyłączone przed próbą uruchomienia pojazdu.
- 9 . **Wskaźnik LED szybkiego ładowania** Świeci się na biało, gdy jest aktywne szybkie ładowanie. Jeśli urządzenie jest prawidłowo podłączone do akumulatora, GB500 automatycznie go wykryje i przejdzie w tryb szybkiego ładowania (biała dioda LED miga, gdy aktywna jest funkcja ręcznego sterowania).
- 10 . **Wskaźnik LED ręcznego sterowania** Świeci się na czerwono, gdy tryb sterowania ręcznego jest aktywny.
- 11 . **Przycisk ręcznego sterowania** Wciśnij i przytrzymaj przez 3 sekundy, aby aktywować. **OSTRZEŻENIE: Wyłącza zabezpieczenia i wymusza włączenie trybu szybkiego ładowania. Należy używać wyłącznie wtedy, gdy akumulator posiada zbyt niskie napięcie, aby możliwe było jego wykrycie.**
- 12 . **Pokrętło wyboru napięcia** Przekręć, aby wybrać tryb 12 V lub 24 V.
- 13 . **Przycisk trybu oświetlenia** Przełącza pomiędzy 7 trybami oświetlenia: 100% > 50% > 10% > SOS > Miganie > Stroboskop > Wył.
- 14 . **Wskaźnik LED wyjścia USB** Świeci się na biało; funkcja wyjścia USB może być używana w trybach 12 V i 24 V.
- 15 . **Wskaźnik LED 12 V Out** Świeci się na biało; funkcja 12 V Out może być używana wyłącznie w trybie 12 V.
- 16 . **Wskaźnik LED 12 V In** Świeci się na biało; funkcja 12 V In może być używana wyłącznie w trybie 12 V.
- 17 . **Wskaźnik LED trybu oświetlenia** Świeci się na biało, gdy oświetlenie jest włączone, a urządzenie wyłączone.

Rozwiązywanie problemów

Błąd	Przyczyna/Rozwiązanie
 Wskaźnik LED błędu: Świeci się na czerwono	Wykryta odwrócona polaryzacja. / Zamień przewody.
Wskaźnik LED błędu: Pojedyncze (1) mignięcie	Wykryte zwarcie zacisków akumulatora. / Usuń wszelkie obciążenia i ponownie podłącz zaciski.
Wskaźnik LED błędu: Dwukrotne (2) mignięcie	Czas doładowywania dłuższy niż dziesięć (10) minut. / Wyłącz, a następnie włącz urządzenie.
Wskaźnik LED błędu: Trzykrotne (3) mignięcie	Awaria głównego przełącznika wewnętrznego. / Upewnij się, że pokrętło wyboru napięcia znajduje się na odpowiedniej pozycji (12 V lub 24 V).
Wskaźnik LED błędu: Czterokrotne (4) mignięcie	Wykryto uszkodzenie komory akumulatora w czasie ładowania. / Wyłącz urządzenie i skontaktuj się ze wsparciem NOCO.
Wskaźnik LED błędu: Pięciokrotne (5) mignięcie	Błąd nadmiernego napięcia XGC OUT. / Usuń obciążenie z XGC OUT, a następnie wyłącz i włącz urządzenie.
 Wskaźnik LED wysokiej temperatury: Świeci się	Jednostka jest sprawna, ale zbliża się do górnej granicy temperatury. / Odczekaj, aż urządzenie ostygnie.
Wskaźnik LED wysokiej temperatury: Miga	Jednostka jest zbyt gorąca, aby zapewnić zasilanie, ale inne funkcje są wciąż dostępne. / Odczekaj, aż urządzenie ostygnie.
Wskaźnik LED wysokiej temperatury: Miga, po czym gasną wszystkie diody LED	Jednostka jest zbyt gorąca do podładowania lub korzystania z innych funkcji. / Odczekaj, aż urządzenie ostygnie i przenieś je do chłodniejszego otoczenia.
 Wskaźnik LED niskiej temperatury: Świeci się	Jednostka jest sprawna, ale zbliża się do dolnej granicy temperatury. / Odczekaj, aż urządzenie się rozgrzeje.
Wskaźnik LED niskiej temperatury: Miga	Jednostka jest zbyt zimna, aby zapewnić zasilanie, ale inne funkcje są wciąż dostępne. / Odczekaj, aż urządzenie się rozgrzeje.
Wskaźnik LED niskiej temperatury: Miga, po czym gasną wszystkie diody LED	Jednostka jest zbyt zimna do podładowania lub korzystania z innych funkcji. / Odczekaj, aż urządzenie się rozgrzeje i przenieś je do cieplejszego otoczenia.
Notka techniczna	Baterie litowo-jonowe ulegają nagrzewaniu w czasie używania. Jeśli świeci się wskaźnik LED niskiej temperatury, spróbuj kilka razy podładować akumulator, aby rozgrzać baterie i usunąć ten błąd. Zazwyczaj wystarczą 3-4 próby podładowania akumulatora, aby rozgrzać baterie i usunąć ten błąd.

Dane techniczne

Akumulator wbudowany:	Litowo-jonowy (Watogodzina 266)
Znamionowy prąd szczytowy:	20,000A
w dżulach:	80,000+
Temperatura pracy:	-30°C do +50°C (-22°F do +122°F)
Temperatura ładowania:	0°C do +40°C (32°F do +104°F)
Temperatura przechowywania:	-20°C do +50°C (-4°F do +122°F) (śr. temp.)
USB (wyjście):	Podwójne 5 V, 2,1 A
12V (Input):	12V, 5A
12V (Output):	12V, 15A
Ochrona obudowy:	IP65 (przy zamkniętych gniazdach)
Chłodzenie:	Konwekcja naturalna
Wymiary (dł. x szer. x wys.):	12,25 x 8,25 x 2,25 cale (311,15 x 209,55 x 57,15 mm)
Masa:	19 funta

Gwarancja

Firma NOCO Udziela Jednorocznej (1) Ograniczonej Gwarancji.

NOCO ("NOCO") gwarantuje, że opisywany produkt ("Produkt") będzie wolny od wad materiałowych i wykonawczych przez okres jednego (1) roku od daty zakupu ("Okres gwarancji"). W przypadku usterek powstałych w okresie obowiązywania gwarancji, NOCO według własnego uznania, z uwzględnieniem analizy technicznej NOCO, naprawi lub wymieni wadliwe produkty. Części zamienne i produkty będą nowe lub zdatne do użytku, o funkcjonalności i wydajności porównywalnych do oryginalnych części i objęte gwarancją do końca pierwotnego Okresu gwarancji.

ODPOWIEDZIALNOŚĆ NOCO ZOSTAJE NINIEJSZYM ŚCIŚLE OGRANICZONA DO WYMIANY LUB NAPRAWY. W MAKSYMALNYM ZAKRESIE DOPUSZCZALNYM PRZEZ PRAWO, NOCO NIE BĘDZIE ODPOWIADAĆ PRZED NABYWCĄ PRODUKTU LUB STRONĄ TRZECIĄ ZA JAKIEKOLWIEK UMYŚLNE, POŚREDNIE, WTÓRNE LUB SZCZEGÓLNE SZKODY, TAKIE JAK UTRATA DOCHODÓW, SZKODY MATERIALNE LUB OBRAŻENIA ZWIĄZANE W JAKIKOLWIEK SPOSÓB Z PRODUKTEM, NIEZALEŻNIE OD PRZYCZYNY, NAWET GDY NOCO DYSPONOWAŁA WIEDZĄ O MOŻLIWOŚCI POWSTANIA TAKIEJ SZKODY. GWARANCJE OKREŚLONE W NINIEJSZYM DOKUMENCIE ZASTĘPUJĄ WSZYSTKIE INNE GWARANCJE, WYRAŻONE, DOROZUMIANE, STATUTOWE LUB INNE, W TYM DOROZUMIANE GWARANCJE PRZYDATNOŚCI HANDLOWEJ I ZDATNOŚCI DO OKREŚLONEGO CELU ORAZ TE WYNIKAJĄCE Z PRZEBIEGU TRANSAKCJI, SPOSOBU UŻYTKOWANIA LUB PRAKTYKI HANDLOWEJ. GDY PRAWO WŁAŚCIWE NAKŁADA GWARANCJE, WARUNKI LUB ZOBOWIĄZANIA, KTÓRYCH NIE MOŻNA WYŁĄCZYĆ LUB ZMODYFIKOWAĆ, NINIEJSZY USTĘP STOSUJE SIĘ W GRANICACH DOPUSZCZALNYCH PRZEZ PRAWO.

Niniejsza Ograniczona gwarancja dotyczy wyłącznie pierwotnego nabywcy Produktu firmy NOCO od autoryzowanego odsprzedawcy lub dystrybutora firmy NOCO i nie podlega cesji ani nie jest zbywalna. Aby dochodzić roszczeń gwarancyjnych, nabywca musi: (1) uzyskać numer autoryzacyjny handlowca (RMA) wraz z informacjami o miejscu zwrotu ("Miejsce zwrotu") od wsparcia technicznego firmy NOCO, wysyłając wiadomość pod adres support@no.co lub dzwoniąc pod numer 1 800 456 6626; oraz (2) wysłać Produkt, wraz z numerem RMA, rachunek lub opłatę gwarancyjną (wymagana wyłącznie wtedy, gdy nie ma rachunku) wynoszącą 45% sugerowanej ceny detalicznej wadliwego produktu ("Opłata gwarancyjna") [RMA będzie obejmować stosowną wysokość Opłaty gwarancyjnej] do Miejsca zwrotu. NIE WYSYLAĆ PRODUKTU BEZ WCZEŚNIEJSZEGO UZYSKANIA NUMERU RMA OD DZIAŁU POMOCY TECHNICZNEJ FIRMY NOCO.

KOSZTY PAKOWANIA I TRANSPORTU W CELU PRZEPROWADZANIA NAPRAWY GWARANCYJNEJ POKRYWA PIERWOTNY NABYWCA.

NIEZALEŻNIE OD POWYŻSZYCH, NINIEJSZA OGRANICZONA GWARANCJA JEST NIEWAŻNA I NIE MA ZASTOSOWANIA DO PRODUKTÓW, GDY: (a) są one używane niewłaściwie bądź nieprawidłowo lub obsługiwane z nadmierną siłą lub niedbale, ulegną wypadkowi, są nieprawidłowo przechowywane lub obsługiwane w warunkach skrajnego napięcia, temperatury, wstrząsu lub wibracji przekraczających zalecenia NOCO dotyczące bezpiecznej i skutecznej obsługi; (b) produkt jest nieprawidłowo zamontowany, obsługiwany lub serwisowany; (c) produkty są/zostały zmodyfikowane bez wyraźnej, pisemnej zgody firmy NOCO; (d) produkty zostały zdemontowane, zmienione lub naprawione przez osobę spoza firmy NOCO; (e) wady zgłoszono po wygaśnięciu Okresu gwarancji.

TA OGRANICZONA GWARANCJA NIE OBEJMUJE: (1) normalnego zużycia; (2) uszkodzeń kosmetycznych, które nie wpływają na funkcjonalność; lub (3) Produktów, na których brakuje numeru seryjnego firmy NOCO, został on zmieniony lub jest nieczytelny.

Użytkownik może zarejestrować produkt firmy NOCO przez internet, pod adresem: no.co/register. W razie pytań dotyczących gwarancji lub produktu, prosimy o kontakt z działem pomocy technicznej firmy NOCO (podane wyżej adres e-mail lub nr telefonu) lub napisać na adres: The NOCO Company, at 30339 Diamond Parkway, #102, Glenwillow, OH 44139 USA.

NOCO genius[®] BOOSTMAX[™]

GB500



VESZÉLY

Használati útmutató és garancia



OLVASSA EL ÉS ÉRTSE MEG AZ ÖSSZES BIZTONSÁGI INFORMÁCIÓT, MIELŐTT HASZNÁLATBA VENNÉ A TERMÉKET. A biztonsági utasítások betartásának elmulasztása **ÁRAMÚTÉST, ROBBANÁST, TÜZET** eredményezhet, amelyek **KOMOLY SÉRÜLÉST, HALÁLT** vagy **VAGYONI KÁRT** eredményezhetnek.



Áramütés. A termék egy olyan elektromos eszköz, amely megrázhathatja, és súlyos sérülést okozhat. Ne vágja el a hálózati kábeleket. Ne merítse vízbe vagy nedvesítse meg.



Robbanás. Az ellenőrizetlen, inkompatibilis, vagy sérült akkumulátorok felrobbanhatnak, ha azokat a termékkel együtt használja. Használat közben ne hagyja felügyelet nélkül a terméket. Ne próbálkozzon sérült vagy fagyott akkumulátor gyorsindításával. Kizárólag az ajánlott feszültségű akkumulátorokkal használja a terméket. Jól szellőző helyen működtesse a terméket.



Tűz. A termék egy olyan elektromos eszköz, amely hőt bocsát ki, és képes égési sérülést okozni. Ne takarja le a terméket. Ne dohányozzon vagy használjon bármiféle elektromos szikra- vagy tűzforrást a termék működtetése közben. Tartsa távol a terméket a gyúlékony anyagoktól.



Szemésérülés. Viseljen szemvédőt, amikor használja a terméket. Az akkumulátorok felrobbanhatnak és hulladék szétszóródását okozhatják. Az akkumulátorsav szem- és bőrirritációt okozhat. Szembe vagy bőrre kerülés esetén öblítse le az érintett területet tiszta, folyó vízzel és haladéktalanul vegye fel a kapcsolatot a mérlegellenőréssel.



Robbanó gázok. Az ólomsav közelében dolgozni veszélyes. Szokásos akkumulátor-működés során az akkumulátorok robbanó gázokat termelnek. Az akkumulátor robbanásveszélyének csökkentése érdekében kövessen minden biztonsági információs, és a gyártó, illetve az akkumulátor közelében használt felszerelések gyártói által leírt utasítást. Tekintse át a figyelmeztető jeleket ezeken a termékeken és a motoron.

Magyar

Ha további információra és segítségre van szüksége, látogassa meg a következő oldalt:

www.no.co/support

Fontos biztonsági figyelmeztetések

65. sz. kaliforniai indítvány. Az akkumulátor pólusok, a saruk, és a tartozékok vegyi anyagokat - többek között ólmot - tartalmaznak. Ezek az anyagok Kalifornia állam tudomása szerint rákot, születési rendellenességeket és más reprodukciós zavarokat okozhatnak. **Személyi óvintézkedés.** A terméket kizárólag rendeltetészerűen használja. Egy további személynek ajánlott hallótávolságon belül, vagy olyan közelségben tartózkodni, hogy vész helyzet esetén a segítségére tudjon sietni. Legyen tiszta víz forrás és szappan a közelben akkumulátorsav szennyezés esetére. Viseljen teljes szemvédőt és védőruházatot, amikor az akkumulátor közelében dolgozik. Mindig mosson kezét, miután érintkezett az akkumulátorokkal vagy a hozzá tartozó anyagokkal. Amikor az akkumulátorokkal dolgozik, ne érintkezzen semmiféle fémtárggyal, és ne is viseljen ilyeneket, beleértve az eszközöket, órákat, vagy ékszereket. Ha fémet ejt az akkumulátorra, az szikrázhat, vagy áramütést, tüzet, és robbanást eredményező rövidzárlatot okozhat, amelyek sérülést, halált, vagy vagyoni kárt eredményezhetnek. **További felhasználók.** Amennyiben a terméket a „Vásárló” további felhasználónak kívánja átadni használatra, a vásárló felnőtt személy egyetért azzal, hogy a használat előtt minden további felhasználót ellát a részletes utasításokkal és figyelmeztetésekkel. Ezek elmulasztása kizárólag a „Vásárló” felelősségét terheli, aki egyetért azzal, hogy NOCO-t kártalanítja, amennyiben egy további felhasználó nem szándékosan vagy helytelenül használja a terméket. **Fulladásveszély.** A tartozékok fulladásveszélyt jelenthetnek a gyermekek számára. Ne hagyja felügyelet nélkül a gyermekeket a termékkel vagy annak bármely tartozékával. Ez a termék nem játék. **Kezelés.** Kezelje óvatosan a terméket. A termék sérülhet, ha ütés éri. Ne használjon sérült terméket, beleértve egyebek mellett az akkumulátorház repedéseit vagy sérült kábeleket. Ne használja a terméket sérült hálózati kábellel. A pára és a folyadékok károsíthatják a terméket. Ne érintkezzen a termékkel vagy bármely elektromos részével folyadék közelében. A terméket száraz helyen tárolja és működtesse. Ne használja a terméket, ha az nedves lesz. Amennyiben a termék működés közben lesz nedves, azonnal válassza le az akkumulátorról és ne használja tovább. Ne a kábelek meghúzásával válassza le a terméket. **Módosítások.** Ne próbálkozzon a termék bármely részének átalakításával, módosításával vagy javításával. A termék szétszerelése sérülést, halált vagy vagyoni kárt okozhat. Amennyiben a termék megsérül, rosszul működik vagy bármiféle folyadékkal érintkezik, ne használja tovább, és vegye fel a kapcsolatot a NOCO-val. A termék bármiféle módosítása érvényteleníti a garanciát. **Tartozékok.** Ez a termék kizárólag NOCO tartozékokkal használható. NOCO nem vállal felelősséget a felhasználó biztonságáért vagy a károkért, ha NOCO által nem jóváhagyott tartozékok kerülnek használatra. **Hely.** Ha sav szivárog az akkumulátorból, ügyeljen arra, hogy ne kerüljön a termékre. Ne működtesse a terméket zárt vagy rosszul szellőző térben. Ne tegye az akkumulátort a termék tetjére. A balesetből eredő károk elkerülése érdekében helyezze az indítókábelt távol a gépjármű részeitől (beleértve a motorháztetőt és ajtókat), a motor részeitől (beleértve a motor ventilátor lapátjait, az ékszíjakat és az ékszíjtárcsákat) vagy egyéb, esetleges sérülést vagy halált okozó veszélyforrásoktól. **Működési hőmérséklet.** Ezt a terméket -30 °C és 50 °C közötti környezeti hőmérsékleten történő használatra tervezték. Ne működtesse ezen a hőmérsékleti tartományon kívül. Ne indítson sérült vagy fagyott akkumulátort gyorsindítóval. Azonnal függesse fel a termék használatát, ha az akkumulátor túlságosan felmelegszik. **Tárolás.** Ne használja vagy tárolja a terméket magas porconcentrációval vagy levegőben található egyéb anyagokkal rendelkező helyen. A terméket sík, biztonságos felületen tárolja, ahonnan nem eshet le. Száraz helyen tárolja a terméket. A tárolási hőmérséklet -20 °C - 25 °C (átlaghőmérséklet). Soha, semmilyen körülmények között ne lépje túl a 80°C-ot. **Kompatibilitás.** A termék kizárólag 12 voltos és 24 voltos ólomsavas akkumulátor-rendszerekkel kompatibilis. Ne próbálja a terméket bármilyen más típusú akkumulátorral használni. Más akkumulátor vegyi anyagainak gyorsindítása sérülést, halált vagy vagyoni kárt okozhat. Vegye fel a kapcsolatot az akkumulátor gyártójával, mielőtt megpróbálná az akkumulátor gyorsindítását. Ne próbálkozzon az akkumulátor gyorsindításával, ha nem biztos az akkumulátor konkrét vegyi anyagainak összetételében vagy feszültségében. **Az akkumulátor.** Az terméke épített lítium-ion akkumulátort kizárólag NOCO cserélheti ki, amelyet aztán újra kell hasznosítani, vagy a háztartási hulladéktól elkülönítve kell tárolni. Ne próbálkozzon

a az akkumulátor otthoni kicserélésével, és ne érintkezzen olyan akkumulátorral, amely sérült vagy amelyből szivárog a lítium-ion. Soha ne tegye az akkumulátort a háztartási hulladékok közé. Az akkumulátorok háztartási hulladékok közötti elhelyezése ellentétes az állami és szövetségi környezetvédelmi törvényekkel és szabályozásokkal. Mindig vigye el a használt akkumulátorokat a helyi akkumulátor újrahasználati központba. Ha a termék akkumulátora túlságosan forró, szagot bocsát ki, eldeformálódik vagy rendellenes jelenséget észlel vagy mutat, azonnal függessze fel a használatát és vegye fel a kapcsolatot a NOCO-val. **Az akkumulátor töltése.** A tartozék 12 voltos egyenáramú adapterrel vagy 56 W XGC hálózati adapterrel töltsse fel a terméket. Legyen óvatos gyenge minőségű hálózati adapterek használatakor, mivel azok komoly elektromos kockázatot jelenthetnek, amely személyre, eszközre és vagyontárgyra nézve is sérülést eredményezhet. Sérült kábelek vagy töltők használata vagy nedvesség jelenlétében végzett töltés áramütést okozhat. A NOCO nem vállal felelősséget a felhasználó biztonságáért a NOCO által nem jóváhagyott tartozékok vagy kiegészítők használata esetén. A hálózati adapterek rendes használat során felmelegedhetnek, és ha huzamos ideig érintkeznek a bőrrel, személyi sérülést okozhatnak. Használatuk közben mindig gondoskodjon megfelelő szellőzéstől a hálózati adapterek körül. Az akkumulátor maximális élettartama érdekében kerülje az egyszerre egy hétnél tovább tartó töltést, mivel a túltöltés megrövidítheti az akkumulátor élettartamát. Idővel a használaton kívüli termék lemerül, és használat előtt ismét fel kell tölteni. Ha nem használja a terméket, akkor válassza le az áramforrásról. Használja a terméket rendeltetészerűen. **Orvostechnikai eszközök.** A termék elektromágneses mezőket bocsáthat ki. A termék mágneses összetevőket tartalmaz, amelyek megzavarhatják a pacemakereket, defibrillátorokat vagy más orvostechnikai eszközöket. Ezek az elektromágneses mezők megzavarhatják a pacemakereket vagy más orvostechnikai eszközöket. Amennyiben rendelkezik bármiféle orvostechnikai eszközzel, beleértve a pacemakert, használat előtt konzultáljon orvosával. Amennyiben úgy véli, hogy a termék megzavar egy orvostechnikai eszközt, azonnal függessze fel a termék használatát és konzultáljon orvosával. **Égésveszélyes állapot.** Amennyiben van olyan egészségügyi problémája, amelyről úgy gondolja, hogy a termék befolyásolhatja, beleértve egyebek mellett az agyvérzést, ájulást, szemfáradtságot vagy fejfájást, használat előtt konzultáljon orvosával. A beépített nagy teljesítményű zseblámpa használata fényérzékenységet veszélyt hordozza magában. A lámpa villogó fény üzemmódban történő használata agyvérzést okozhat a fotoszenzitív epilepsziával rendelkező személyeknél, amely súlyos sérüléshez vagy halálhoz vezethet. **Lámpa.** Ha egyenesen a zseblámpa fényébe néz, az maradandó szemsérülést eredményezhet. A termék felszereltségéhez tartozik egy nagy teljesítményű LED előfokuszált lámpa, amely erős fénysugarat bocsát ki a legmagasabb beállításban. **Tisztítás.** Mindennemű karbantartás vagy tisztítás előtt áramtalanítsa a terméket. Azonnal tisztítsa és szárítsa meg a terméket, ha az folyadékkal vagy bármilyen más szennyeződéssel érintkezik. Használjon puha, szőszmentes (mikroszál) ruhát. Kerülje el a nedvesség nyílásokba kerülését. **Robbanásveszélyes légkör.** Kövesse a jeleket és utasításokat. Ne működtesse a terméket feltehetően robbanásveszélyes légkörön belül, beleértve az üzemanyagotöltő, vagy vegyi anyagokat, illetve részcskéket, például szemcskéket, port vagy fémport tartalmazó területeket. **Fokozottan veszélyes tevékenységek.** Ezt a terméket nem olyan használatra szánták, ahol a termék hibás működése sérüléshez, halálhoz vagy súlyos környezetkárosításhoz vezethet. **Rádiófrekvencia zavar.** A terméket úgy tervezték, tesztelték és gyártották, hogy megfeleljen a rádiófrekvencia kibocsátásokra vonatkozó irányadók szabályozásoknak. A termék ilyen jellegű kibocsátásai negatívan hathatnak más elektromos berendezésekre, amelyek hibás működését okozhatják. **Modellszám: GB500** Ez a készülék megfelel az FCC szabályok 15. részének. Üzemeltetése az alábbi két feltételhez kötött: (1) a készülék nem okozhat káros zavart, és (2) a készülék működését nem zavarják a környezetben előforduló zavarjelek. **MEGJEGYZÉS:** Ezt a berendezést tesztelés után megfelelően találták az A kategóriájú digitális eszközök határértékeinek az FCC szabályok 15. része szerint. Ezeknek a határértékeknek az a céljuk, hogy megfelelő védelmet biztosítsanak a káros zavarás ellen, ha a berendezést nagyüzemi környezetben üzemeltetik. Ez a berendezés rádiófrekvenciás energiát generál, használ vagy sugározhat ki, és ha nem a kezelési útmutató szerint szereli be vagy használja, káros zavart okozhat a rádiós kommunikációban. A berendezés lakóterületen történő használata olyan káros zavart okozhat, amely után a felhasználónak saját költségére kell elhárítania a zavart.

Használat

1. lépés: Töltse fel a GB500 készüléket.

A GB500 készülék részlegesen feltöltve kerül ki a dobozból, és használat előtt teljes feltöltést igényel. A tartozék 12 voltos adapterrel vagy 56 W XGC hálózati adapterrel csatlakoztassa a GB500 készüléket a 12 voltos IN csatlakozóhoz. A GB500 készüléknek a 12 voltos üzemmódban kell lennie a töltéshez. Ügyeljen arra, hogy a feszültségválasztó gomb a 12 voltos állásban legyen a töltés előtt. Az XGC 12 voltos IN csatlakozót 12 V-ra, 5 A-re méreteztük a belső lítium akkumulátor biztonságot és hatékony töltése érdekében. Az FCC szabályozások értelmében javasoljuk, hogy ne töltse és merítse egy időben az egységet. A GB500 készülék feltöltési ideje változó lehet a lemerültségtől és a használt áramforrástól függően. A tényleges eredmények eltérőek lehetnek az akkumulátor állapota szerint.

25% 50% 75% 100%



Feltöltés közben a belső akkumulátor töltöttségi szintjét jelzi a töltő LED fény. A LED fény lassan fog pulzálni és állandósul, amikor mind a négy töltő LED fény kigyullad. Amikor az akkumulátor teljesen feltöltődik, a zöld 100% LED fény állandósul, a 25%, az 50% és a 75% töltő LED fény kialszik. Időről időre a 100% LED fény pulzálni fog, ezzel jelezve, hogy a fenntartó töltés folyamatban van.

12 V egyenáramú töltés (60 W).

A GB500 készüléknek a 12 voltos üzemmódban kell lennie a töltéshez. Ügyeljen arra, hogy a feszültségválasztó gomb a 12 voltos állásban legyen a töltés előtt. Csatlakoztassa a 12 V kábelt a GB500 készülék 12 V IN csatlakozójához, a másik végét pedig a 12 voltos érintkezőcsaphoz. Dugaszolja működő 12 V AUX csatlakozóba (szivargyújtó).

Váltóáramú töltés (56 W).

A GB500 készüléknek a 12 voltos üzemmódban kell lennie a töltéshez. Ügyeljen arra, hogy a feszültségválasztó gomb a 12 voltos állásban legyen a töltés előtt. Csatlakoztassa az XGC 12 V kábelt a GB500 készülék 12 V IN csatlakozójához, az 56 W hálózati adapter másik végét pedig a váltóáramú hálózatra (100-240 VAC fali aljzat).

A 12 voltos eszközök bekapcsolása.

A GB500 készüléknek a 12 voltos üzemmódban kell lennie a 12 V OUT engedélyezéséhez. Csatlakoztassa a 12 V kábelt a GB500 készülék 12 V OUT csatlakozójához, a másik végét pedig a 12 V dugaszolóaljzatba (12 V AUX/szivargyújtó). Csatlakoztasson bármilyen szabványos 12 voltos eszközt (15 A-ig) 12 voltos csatlakozódugóval, és kapcsolja be a GB500 készüléket az eszköz áram alá helyezéséhez.

2. lépés: Csatlakoztassa az akkumulátorhoz.

Olvassa el figyelmesen és értőn a gépjármű kézikönyvét a különleges óvintézkedésekről és a gépjármű gyorsindítására javasolt módszerekről. A termék használata előtt bizonyosodjon meg róla, hogy az akkumulátor névfeszültségét és vegyi anyagainak összetételét az Ön akkumulátorának kézikönyve szerint határozta meg. A GB500 kizárólag 12 voltos és 24 voltos ólomsavas akkumulátor-rendszerek gyorsindítására szolgál. Mielőtt az akkumulátorra csatlakoztatja, ellenőrizze az akkumulátor-rendszer feszültségét. Ügyeljen arra, hogy a feszültségválasztó gomb a gyorsindítást igénylő akkumulátor-rendszernek (12 V vagy 24 V) megfelelő állásban legyen. Sohase változtassa meg a feszültséget, amikor a készülék az akkumulátorhoz van csatlakoztatva. Csak akkor

Feltöltési idő: 6-8 óra

12 voltos egyenáramú kábel vagy váltóáramú hálózati adapter használata a teljesen lemerült készülék feltöltéséhez. A feltöltési idő a lemerültségtől függően változik.

változtassa meg a feszültséget, amikor a készülék ki van kapcsolva. A GB500 készülék nem használható semmilyen más típusú akkumulátorhoz. Állapítsa meg az akkumulátor pólusainak helyes polaritását. Az akkumulátor pozitív pólusát általában ezekkel a betűkkel vagy szimbólumokkal jelölik (POS,P,+). Az akkumulátor negatív pólusát általában ezekkel a betűkkel vagy szimbólumokkal jelölik (NEG,N,-). Semmilyen módon ne érhesen a karburátorhoz, az üzemanyag vezetékhez vagy a vékony fémlémezekhez. Az alábbi utasítások a (leggyakoribb) negatív földelésű rendszerre vonatkoznak. Amennyiben a gépjárműve pozitív földelésű rendszerű (nagyon ritka), az alábbi utasításokat fordított sorrendben kövesse.

- 1.) Csatlakoztassa a negatív (fekete) Boost Max csatlakozót a GB500 készülék negatív csatlakozójára.
- 2.) Csatlakoztassa a pozitív (piros) Boost Max csatlakozót a GB500 készülék pozitív csatlakozójára.
- 3.) A csipeszekhez való csatlakoztatás előtt mindig tisztítsa meg a kábelsarukat. MEGJEGYZÉS: A hibás csatlakozások vagy a piszkos kábelsaruk füstöt okozhatnak. A nagyon alacsony feszültségű akkumulátorok szintén növelik a füst kockázatát.
- 4.) Csatlakoztassa a pozitív (piros) Boost Max csatlakozót a pozitív (POS,P,+) akkumulátor sarokhoz.
- 5.) Csatlakoztassa a negatív (fekete) Boost Max csatlakozót a negatív (NEG,N,-) akkumulátor sarokhoz vagy a gépjármű alvázához. (Lehetséges, hogy az alvázhoz való földelés nem alkalmas nagy eszközök segédindítására.)
- 6.) Leválasztásnál fordított sorrendben válassza le a részeket, először a negatívát távolítsa el (vagy pozitív földelésű rendszer esetén a pozitívát először).

3. lépés: Gyorsindítás.

- 1.) Mielőtt megkísérelné a gépjármű gyorsindítását, bizonyosodjon meg róla, hogy a gépjármű minden elektromos berendezését (világítás, rádió, légtudicionáló, stb.) kikapcsolta. Ha a járműnek van főkapcsolója, fordítsa azt „bekapcsolt” állásba.
- 2.) Nyomja meg a bekapcsoló gombot a gyorsindítás megkezdéséhez. Minden LED fény villogni fog, ezzel jelezve, hogy minden LED fény megfelelően funkcionál. Ha megfelelően csatlakozott az akkumulátorhoz, a fehér indító LED fény fog felvillanni. Ha az akkumulátor csipeszeket fordítva csatlakoztatta, a piros hiba LED fény fog felvillanni. Cserélje meg a csatlakozásokat, hogy helyrehozza ezt a hibát, ezután a fehér indító LED fény fog felvillanni. A fehér LED fény felvilan, amikor a GB500 készülék készen áll a gépjármű gyorsindítására.
- 3.) Próbálja meg elindítani a járművet. A legtöbb jármű azonnal elindul. Néhány gépjárműnek akár 30 másodperces csatlakozásra is szüksége lehet a GB500 készülékhez az indítás előtt. Ha a gépjármű nem indul azonnal, várjon 20-30 másodpercet, majd próbálja újra. Ne kíséreljen meg öt (5) egymást követő gyorsindításnál többet egy tizenöt (15) perces időszakon belül. Hagyja a GB500 készüléket pihenni tizenöt (15) percig, mielőtt újból megkísérelné a gépjármű gyorsindítását.
- 4.) Ha sikerül a gépjármű beindítása, csatlakoztassa szét az akkumulátor csipeszeket és távolítsa el a GB500 készüléket.

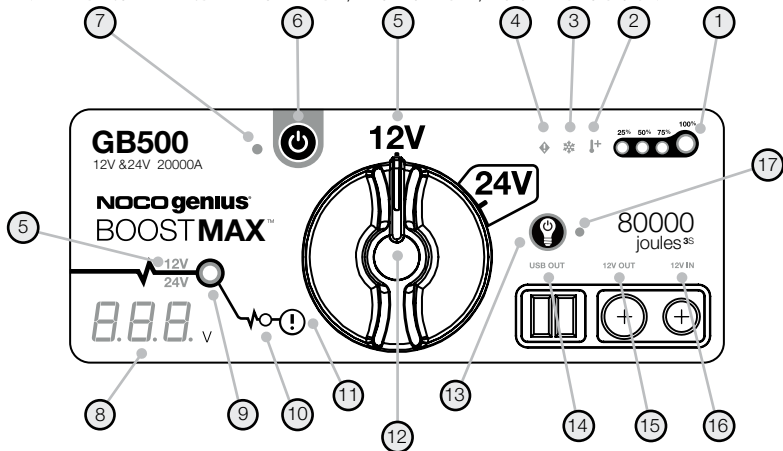
Alacsony névfeszültségű akkumulátorok és kézi vezérlés.

A GB500 készüléket kizárólag 12 voltos ólomsavas akkumulátorok gyorsindítására tervezték 2 voltig. Amennyiben az akkumulátorának teljesítménye 2 volt alatt van, az indító LED fény kialszik. Ez azt jelzi, hogy a GB500 készülék nem észleli az akkumulátort. Amennyiben 2 volt teljesítmény alatti akkumulátornál van szüksége gyorsindításra, rendelkezésre áll egy kézi vezérlési tulajdonság, amely lehetővé teszi a gyorsindító funkció kényszerítését.

VIGYÁZAT.




EZT AZ ÜZEMMÓDOT KÜLÖNÖS ODAFIGYELÉS MELLETT HASZNÁLJA. EZT AZ ÜZEMMÓDOT KIZÁRÓLAG 12 VOLTOS VAGY 24 VOLTOS ÓLOMSÁVAS AKKUMULÁTOROKHOZ SZABAD HASZNÁLNI. ÜGYELJEN ARRÁ, HOGY A FESZÜLTÁGVÁLASZTÓ GOMB A GYORSINDÍTÁST IGÉNYLŐ AKKUMULÁTOR-RENDSZERNEK (12 V VAGY 24 V) MEGFELELŐ ÁLLÁSBAN LEGYEN. SEM A SZIKRA VÉDELEM, SEM A FORDÍTOTT POLARITÁS VÉDELEM TULAJDONSÁGOK

NEM ELÉRHETŐK. FORDÍTSON NAGYON KÜLÖNÖS FIGYELMET AZ AKKUMULÁTOROK POLARITÁSÁRA, MIELŐTT EZT A MÓDON HASZNÁLJA. NE ENGEDJE, HOGY A POZTÍV ÉS NEGATÍV AKKUMULÁTOR CSIPESZÉK EGYMÁSHOZ ÉRJENEK VAGY CSATLAKOZZANAK, MIVEL ÍGY A TERMÉK SZIKRÁKAT KÉPEZHET. EZ A MÓD NAGYON MAGAS ÁRAMERŐSSÉGET HASZNÁL (20,000 A-IG TERJEDŐEN), AMELY NEM MEGFELELŐ HASZNÁLAT ESETÉN SZIKRÁZÁST ÉS MAGAS HŐT OKOZHAT. HA NEM BIZTOS ENNEK A MÓDNAK A HASZNÁLATÁBAN, NE KÍSÉRELJE MEG AZT, KÉRJE SZAKEMBER SEGÍTSÉGÉT.



- 1. Belső akkumulátor töltöttség** A belső akkumulátor töltöttségét jelzi.
- 2. Forró LED** Folyamatosan pirosan világít; a készülék teljesen üzemképes, de a felső hőmérsékleti határértékhez közelít. Pirosan villog; a készülék túl forró a gyorsindításhoz, de más funkciók még mindig rendelkezésre állnak.
- 3. Hideg LED** Folyamatosan kéken világít; a készülék teljesen üzemképes, de az alsó hőmérsékleti határértékhez közelít. Kéken villog; a készülék túl hideg a gyorsindításhoz, de más funkciók még mindig rendelkezésre állnak.
- 4. Hiba LED** Pirosan világít fordított polaritás észlelése esetén.
- 5. Feszültségjelző** Azt az akkumulátor-rendszer feszültséget jelzi, amire jelenleg a GB500 van állítva. A 12 V fehéren világít a 12 V üzemmódban, a 24 V kéken világít a 24 V üzemmódban
- 6. Főkapcsoló gomb** Nyomja meg az egység be- és kikapcsolásához.
- 7. Bekapcsolás LED** Fehéren világít az egység bekapcsolt állapotában.
- 8. Feszültségmérő** A beépített feszültségmérő a jármű akkumulátorának feszültségét méri a hatékony diagnosztika és a hibaelhárítás érdekében. A feszültségmérő automatikusan olvassa le az akkumulátor (vagy akkumulátor-rendszer) feszültségét az akkumulátorsaruk csatlakoztatása után akkor is, ha az egység kikapcsolt állapotban van. A feszültségmérő ~3 V és ~30 V közötti feszültséget fog mérni. Ha a csatlakoztatott akkumulátor feszültsége 3 V alatt van, akkor semmi sem jelenik meg a kijelzőn. Ilyen helyzetben valószínű, hogy terhelés(ek) van(nak) az akkumulátoron, például fényszórók vagy hűtőventilátor, amelyeket le kell kapcsolni, mielőtt megkísérelné a gépjármű beindítását.
- 9. Indító LED** Fehéren világít az indítás aktív állapotában. Ha az egységet megfelelően csatlakoztatta az akkumulátorhoz, a GB500 automatikusan észleli az akkumulátort, és indító üzemmódba kapcsol (a LED fehér fényel villog, amikor a kézi vezérlés funkció aktív).
- 10. Kézi vezérlés LED** Folyamatosan pirosan világít a kézi vezérlés aktív állapotában.
- 11. Kézi vezérlés gomb** Az engedélyezéséhez nyomja meg és tartsa lenyomva három (3) másodpercig. **FIGYELMEZTETÉS: Kikapcsolja a biztonságvédelmet, és kézi vezérléssel kényszeríti az indítás bekapcsolását. Kizárólag olyan akkumulátorral használható, amely teljesítménye túl alacsony ahhoz, hogy észlelhető legyen.**
- 12. Feszültségválasztó gomb** Forgassa el a 12 V és a 24 V üzemmód közötti váltáshoz.
- 13. Világítás üzemmód gomb** A munkalámpát 7 világítási üzemmód között váltja: 100% > 50% > 10% > SOS > villogó > pulzáló > kikapcsolt.
- 14. USB ki LED** Fehéren világít; Az USB ki funkció használható mind a 12 V, mind a 24 V üzemmódban.
- 15. 12 V ki LED** Fehéren világít; A 12 V ki funkció csak a 12 V üzemmódban használható.
- 16. 12 V be LED** Fehéren világít; A 12 V be funkció csak a 12 V üzemmódban használható.
- 17. Lámpa üzemmód LED** Fehéren világít, amikor a munkalámpa bekapcsolt állapotban van, de a készülék ki van kapcsolva.

Hibaelhárítás

Hiba	Ok/megoldás
 Hiba LED: Állandó piros	Fordított polaritás észlelése. / Fordítsa meg az akkumulátor csatlakozásokat.
Hiba LED: Egyszeri (1) villanás	Rövidzárlat észlelése az akkumulátorsarkokon. / Távolítsa el az összes terhelést, csatlakoztassa újra a sarkokat az akkumulátorra.
Hiba LED: Kétszeri (2) villanás	A gyorsindítási idő hosszabb, mint tíz (10) perc. / Kapcsolja ki, majd be a készüléket.
Hiba LED: Háromszori (3) villanás	Belső főkapcsoló hiba. / Ellenőrizze, hogy a feszültségválasztó gomb megfelelően van-e a 12 V vagy 24 pozícióra állítva.
Hiba LED: Négyyszeri (4) villanás	Hibás akkumulátorcella észlelése töltés alatt. / Kapcsolja ki a készüléket, kérje a NOCO segítségét.
Hiba LED: Ötszöri (5) villanás	XGC OUT túláram hiba. / Távolítsa el a terhelést az XGC kimenetről, kapcsolja ki majd be a készüléket.
 Forró LED: Folyamatos	A készülék teljesen üzemképes, de közelít a felső hőmérsékleti határértékhez. / Hagyja lehűlni a készüléket.
Forró LED: Villog	A készülék túl forró a gyorsindításhoz, de más funkciók még mindig rendelkezésre állnak. / Hagyja lehűlni a készüléket.
Forró LED: Villog, majd az összes LED kikapcsol	A készülék túl forró a gyorsindításhoz vagy más funkciók használatához. / Hagyja lehűlni a készüléket, és helyezze a készüléket hűvösebb környezetbe.
 Hideg LED: Folyamatos	A készülék teljesen üzemképes, de közelít az alsó hőmérsékleti határértékhez. / Hagyja felmelegedni a készüléket.
Hideg LED: Villog	A készülék túl hideg a gyorsindításhoz, de más funkciók még mindig rendelkezésre állnak. / Hagyja felmelegedni a készüléket.
Hideg LED: Villog, majd az összes LED kikapcsol	A készülék túl hideg a gyorsindításhoz vagy más funkciók használatához. / Hagyja felmelegedni a készüléket, és helyezze a készüléket melegebb környezetbe.
Műszaki megjegyzés	A lítiumion akkumulátorok önmaguktól melegednek használat közben. Ha a hideg hiba LED világít, próbálja meg többször a gyorsindítást az akkumulátor bemelegítéséhez és a hiba elhárításához. Jellemzően 3-4 gyorsindítás elégséges az akkumulátor bemelegítéséhez és a hiba elhárításához.

Műszaki specifikációk

- Belső akkumulátor:** Lítium Ion (Wattóra 266)
- Csúcsáramerősség besorolás:** 20,000A
- joules3S:** 80,000+
- Működési hőmérséklet:** -30°C ... +50°C (-22°F ... +122°F)
- Töltési hőmérséklet:** 0°C ... +40°C (32°F ... +104°F)
- Tárolási hőmérséklet:** -20°C ... +50°C (-4°F ... +122°F) (átlaghőm.)
- USB (kimenet):** Kettős 5V, 2,1A
- 12V (bemenet):** 12V, 5A
- 12V (kimenet):** 12V, 15A
- Ház védelme:** IP65 (w/zárt csatlakozóegység)
- Hűtés:** Természetes keringetés
- Méret (H x Sz x M):** 12,25 x 8,25 x 2,25 hüvelyk (311,15 x 209,55 x 57,15 mm)
- Súly:** 19 font

HU

Garancia

NOCO Genius egy (1) évig érvényes garancia.

A NOCO cég („NOCO”) garantálja, hogy ez a termék (a „Termék”) az anyagot és kivitelezést tekintve hibáktól mentes marad a vásárlás időpontjától számított egy (1) éven keresztül (a „Garanciális időszak”). A garanciális időszak alatt jelentett hibák esetén a NOCO belátása szerint és NOCO technikai ellenőrző elemzése után kijavítja vagy kicseréli a hibás termékeket. A cserélt részek vagy termékek újak vagy működőképeseek, funkciójukban és teljesítményükben hasonlóak az eredetihez, és az eredeti garanciális időszakból hátramaradt ideig garanciális.

NOCO KÖTELEZETTSÉGE A TOVÁBBIKBAN KIFEJEZETTEN A CSERÉRE VAGY JAVÍTÁSRA KORLÁTOZÓDIK. A TÖRVÉNY ÁLTAL MEGENGEDETT MAXIMÁLIS MÉRTÉKIG NOCO NEM KÖTELEZHETŐ A TERMÉK BÁRMELY VÁSÁRLÓJA VAGY BÁRMELY HARMADIK FÉL ÁLTAL BÁRMINEMŰ RENDKÍVÜLI, KÖZVETETT, MÁSBÓL EREDŐ VAGY PÉLDA NÉLKÜLI KÁRTÉRÍTÉS MEGFIZETÉSÉRE, BELEÉRTVE EGYEBEK MELLETT A TERMÉKNEK TULAJDONÍTOTT ELVESZETT PROFITOT, A KELETKEZETT VAGYONI KÁRT VAGY SZEMÉLYI SÉRÜLÉST, MÉG ABBAN AZ ESETBEN SEM, HA NOCO TUDOTT AZ ILYEN JELLEGŰ KÁROK LEHETŐSÉGÉRŐL. AZ ITT KÖZZÉTETT GARANCIÁK HELYETTESÍTENEK MINDEN MÁS, KIFEJEZETT, MAGÁBAN FOGLALT, TÖRVNYILEG ELŐÍRT VAGY MÁS GARANCIÁT, BELEÉRTVE EGYEBEK MELLETT A BENNE FOGLALT KERESKEDELMI GARANCIÁT ÉS AZ ADOTT CÉLRA ALKALMAS MEGFELELŐSÉGET, ILLETVE AZOKAT, AMELYEK AZ ÜZLETI TEVÉKENYSÉGBŐL, HASZNÁLATBÓL VAGY KERESKEDELM GYAKORLATBÓL EREDNEK. ABBAN A FELTÉTELEZETT ESETBEN, HA A VONATKOZÓ JOGSZABÁLYOK NEM KIKERÜLHETŐ VAGY MÓDOSÍTHATÓ GARANCIÁKAT, FELTÉTELEKET VAGY KÖTELEZETTSÉGEKET ÍRNAK ELŐ, EZ A BEKEZDÉS ALKALMAZANDÓ AZ ILYEN JOGSZABÁLYOK ÁLTAL MEGENGEDETT LEGNAGYOBB MÉRTÉKIG.

Ez a korlátozott garancia kizárólag a NOCO-tól, vagy NOCO elismert viszonteladójától vagy forgalmazójától vásárolt termék eredeti vásárlójának érdekeit szolgálja, és másnak nem tulajdonítható vagy másra nem átruházható. A garanciális követelés érvényre juttatásához a vásárlónak kötelessége: (1) kérelmezni és beszerezni egy visszáru engedély („RMA”) számot és visszakérni a visszaküldés helyére vonatkozó információt (a „visszaküldés helye”) a NOCO támogatástól a support@no.co e-mail címen keresztül vagy a 1 800 456 6626 telefonszámon; és (2) elküldeni a terméket, beleértve az RMA számot, a nyugtát vagy a hibás termék JVÁ-ának 45%-nak garanciális díját (a „garanciális díj”) (ez csak akkor szükséges, ha nincs meg a nyugta) [az RMA tartalmazza a garanciális díj meghatározott összegét] a visszaküldés helyére. NE KÜLDJE EL A TERMÉKET ANÉLKÜL, HOGY ELŐSZÖR BESZEREZNÉ AZ RMA-T A NOCO TÁMOGATÁSTÓL.

AZ EREDETI VÁSÁRLÓ FELELŐS MINDEN CSOMAGOLÁSÉRT ÉS A TERMÉKEK GARANCIASZERVIZBE JUTTATÁSÁNAK SZÁLLÍTÁSI KÖLTSÉGÉÉRT (AMELYET KÖTELES ELŐRE KIFIZETNI). A FENTIEK ELLENÉRE, A KORLÁTOZOTT GARANCIA NEM ÉRVÉNYES ÉS NEM VONATKOZIK AZOKRA A TERMÉKEKRE, AMELYEKET: (a) hibásan használtak vagy kezelték; téves használatnak vagy gondatlan kezelésnek, illetve véletlen balesetnek tettek ki; a NOCO ajánlását meghaladó extrém feszültségen, hőmérsékleten, ütődéseknek vagy rázkódásnak kitéve tároltak vagy működtettek; (b) nem megfelelően szereltek össze, működtettek vagy tartottak; (c) a NOCO írásos beleegyezése nélkül módosítanak/módosítottak; (d) a NOCO-n kívül más szétszerelt, megváltoztatott vagy javított; (e) a garanciális időszak lejártá után jelentettek hibásnak.

EZ A KORLÁTOZOTT GARANCIA NEM VONATKOZIK AZ ALÁBBI ESETEKRE: (1) a használatból eredő szokásos kopás, (2) szépséghiba, amely nem befolyásolja a funkcionalitást vagy (3) olyan termékek, amelyekről hiányzik a NOCO gyártási száma, vagy azt megváltoztatták vagy olvashatatlanná tették. A NOCO termékét a következő on-line felületen regisztrálhatja: no.co/register. Amennyiben bármilyen kérdése merülne fel a garanciát vagy a terméket illetően, vegye fel a kapcsolatot a NOCO támogatással (e-mail cím és telefonszám fent) vagy írjon a következő címre: The NOCO Company, 44139 Glenwillow, 30339 Diamond Parkway, 102, Ohio, USA.

NOCO genius[®] BOOSTMAX[™]

GB500



NEBEZPEČÍ

Uživatelská příručka a záruční list



PŘEČTĚTE SI A SNAŽTE SE POROZUMĚT VŠEM INFORMACÍM TÝKAJÍCÍM SE BEZPEČNOSTI PŘEDTÍM, NEŽ ZAČNETE POUŽÍVAT TENTO VÝROBEK. Nedodržení těchto pokynů může mít za následek ÚRAZ ELEKTRICKÝM PROUDEM, VÝBUCH, POŽÁR, což může vyústit ve VÁŽNÉ PORANĚNÍ, SMRT nebo ŠKODY NA MAJETKU.



Úraz elektrickým proudem. Výrodek je elektrickým zařízením, které může způsobit šok a vážné poranění. Neodfězavejte napájecí kabely. Neponořujte do vody nebo nenamáčejte.



Výbuch. Někontrolované, nekompatibilní nebo poškozené akumulátory mohou při použití s tímto výrobkem vybuchnout. Nenechávejte výrobek při používání bez dozoru. Nepokoušejte se rychle nastartovat poníčený nebo zmrzlý akumulátor. Používejte výrobek pouze s akumulátory doporučeného napětí. Používejte výrobek v dobře větraných prostorách.



Oheň. Výrodek je elektrickým zařízením, které produkuje teplo a může způsobit popáleniny. Nezakrývejte výrobek. Při používání výrobku nekuřte nebo nepoužívejte žádný zdroj elektrických jisker nebo ohně. Udržujte výrobek mimo dosah hořlavých látek.



Poranění očí. Při používání výrobku používejte ochranu očí. Akumulátory mohou vybuchnout a způsobit vznik odlétávajících částic. Kyselina z akumulátoru může způsobit podráždění očí a kůže. V případě kontaminace očí nebo kůže opláchněte postižené místo čistou tekoucí vodou a okamžitě kontaktujte centrum kontroly otrav.



Výbušné plyny. Práce v blízkosti oloveného akumulátoru je nebezpečná. Během běžného používání vytvářejí akumulátory výbušné plyny. Abyste snížili riziko výbuchu akumulátoru, řiďte se všemi bezpečnostními pokyny a těmi pokyny, které byly vydány výrobcem akumulátoru a výrobcem jakéhokoli zařízení, které je určeno k použití v blízkosti baterie. Prostudujte si varovné štítky umístěné na těchto produktech a na motoru.

čeština

CZ

Více informací a podpory
naleznete na:

www.no.co/support

Důležitá bezpečnostní varování

Kalifornský návrh 65. Akumulátorové sloupky, terminály a související příslušenství obsahují chemikálie včetně olova. O těchto materiálech je ve státě Kalifornie známo, že způsobují rakovinu, vrozené vady a ostatní poruchy reprodukce. **Osobní opatření.** Používejte výrobek pouze k tomu, k čemu byl vyroben. Někdo by se měl pohybovat v dosahu vašeho hlasu nebo dostatečně blízko na to, aby vám přišel v případě pohotovosti na pomoc. Pro případ kontaminace kyselinou z akumulátoru mějte vždy po ruce zásobu čisté vody a mýdlo. Při práci v blízkosti akumulátoru noste kompletní ochranu očí a ochranný oděv. Vždy po manipulaci s akumulátorem a souvisejícími materiály si umyjte ruce. Nemanipulujte při práci s akumulátorem a ani nenoste kovové objekty včetně: náradí, hodinek a šperků. Pokud by kov spadl na baterii, může způsobit jiskření nebo zkrat, který může mít za následek poranění elektrickým proudem, požár, výbuch, který může způsobit zranění, smrt nebo škodu na majetku. **Nezletilí.** Pokud byl tento výrobek „Kupující“ pořízen pro použití nezletilou osobou, kupující dospělý souhlasí s tím, že nezletilému před použitím akumulátoru poskytne podrobné pokyny. Pokud tak neučiní, nese výhradní odpovědnost „kupujícího“, který souhlasí s tím, že odškodní společnost NOCO za jakékoliv neúmyslné použití nebo zneužití výrobku nezletilou osobou. **Nebezpečí udušení.** Příslušenství může pro děti představovat nebezpečí udušení. Nenechávejte děti s výrobkem nebo jakýmkoli příslušenstvím bez dozoru. Tento výrobek není hračka. **Manipulace.** Manipulujte s výrobkem šetrně. Výrobek může být poškozen nebo může dojít k jeho narušení. Nepoužívejte poškozený výrobek včetně, ale ne omezeno na, prasklin na krytu nebo poničených kabelů. Nepoužívejte výrobek s poškozeným napájecím kabelem. Vlhkost a kapaliny mohou poškodit výrobek. Nemanipulujte s výrobkem nebo veškerými elektrickými součástkami blízko jakékoli kapaliny. Skladujte a používejte výrobek na suchých místech. Nepoužívejte výrobek, pokud dojde k jeho namočení. Pokud je výrobek právě používán a dojde k jeho namočení, odpojte jej od akumulátoru a okamžitě přestaňte výrobek používat. Nevypoujte výrobek vytahováním kabelů. **Úpravy.** Nepokoušejte se změnit, upravovat nebo opravovat žádnou část tohoto výrobku. Rozebírání výrobku může způsobit poranění, smrt nebo škodu na majetku. Pokud dojde k poškození výrobku, pokud špatně funguje nebo přijde do kontaktu s jakoukoli tekutinou, přerušte používání a kontaktujte společnost NOCO. Jakékoli úpravy výrobku zruší vaši záruku. **Příslušenství.** Tento výrobek je schválen pouze pro použití s příslušenstvím od společnosti NOCO. Společnost NOCO nezodpovídá za bezpečnost uživatele nebo poškození výrobku v případě použití jiných příslušenství než těch, které byly schváleny společností NOCO. **Umístění.** Nedovolte, aby kyselina z baterie přišla do kontaktu s výrobkem. Nepoužívejte výrobek v uzavřených prostorách nebo prostorách s omezeným větráním. Nenasazujte baterii na vrchní část výrobku. Umístěte kabelové vodiče tak, aby nedošlo k náhodnému poškození pohybem částí vozidla (včetně částí kapoty a dveří), přesouváním částí motoru (včetně lopatek ventilátoru, řemenů a řemenic) nebo toho, co by mohlo znamenat nebezpečí, které by mohlo způsobit zranění nebo smrt. **Provozní teplota.** Tento výrobek je navržen pro práci při teplotě prostředí mezi -30o C a 50o C. Nepoužívejte jej mimo toto teplotní rozhraní. Nepokoušejte se nouzově nastartovat zmrzlý akumulátor. Pokud se akumulátor začne nadměrně zahřívát, okamžitě přestaňte používat výrobek. **Skladování.** Nepoužívejte nebo neskladujte váš výrobek v prostorách s vysokými koncentracemi prachu nebo látek přenášených vzduchem. Skladujte váš výrobek na plochých, bezpečných površích, aby byl zajištěn před pádem. Skladujte váš výrobek na suchém místě. Skladovací teplota je zhruba -20 °C - 25 °C (průměrná teplota). Nikdy za žádných okolností nepřekračujte hodnotu 80°C. **Kompatibilita.** Výrobek je kompatibilní pouze se systémy 12-voltových a 24-voltových olovených akumulátorů. Nepokoušejte se používat výrobek s žádným jiným typem baterie. Nouzové startování akumulátorů s jinou chemií může způsobit zranění, smrt nebo poškození majetku. Obráťte se na výrobce akumulátoru dříve, než se pokusíte nouzově nastartovat akumulátor. Nepokoušejte se nouzově nastartovat akumulátor, pokud si nejste jisti specifickou chemií akumulátoru nebo jeho napětím. **Baterie.** Vestavěná lithium-

iontová baterie by měla být nahrazena pouze společností NOCO a musí být recyklována nebo likvidována odděleně od domácího odpadu. Nepokoušejte se sami vyměnit baterii a nepoužívejte poškozenou nebo netěsnou lithion-iontovou baterii. Nikdy nevhazujte baterii do odpadků v domácnosti. Likvidace baterií v komunálním odpadu je podle státních a federálních zákonů a předpisů o životním prostředí nezákonná. Vždy odnášejte použité baterie do místního centra pro recyklaci baterií. Pokud je baterie výrobku nadměrně horká, vylučuje nepříjemný pach, je zdeformovaná, pořezaná nebo vykazuje abnormální nálezy, okamžitě zastavte veškeré používání a kontaktujte společnost NOCO. **Nabíjení baterie.** Nabijte produkt pomocí přibaleného 12V DC adaptéru nebo 56W napájecího adaptéru XGC. Buďte obezřetní při používání nízkonapěťových adaptérů, protože mohou představovat vážné elektrické riziko, které může způsobit zranění osob, zařízení a majetku. Používání poškozených kabelů nebo nabíječek nebo nabíjení, pokud je přítomna vlhkost, může způsobit úraz elektrickým proudem. Společnost NOCO nezodpovídá za bezpečnost uživatele při používání příslušenství nebo spotřebního materiálu, které NOCO neschválí. Napájecí adaptéry se během běžného používání mohou ohřát a dlouhodobý kontakt s pokožkou může způsobit zranění. Při jejich používání vždy zajistěte odpovídající ventilaci kolem napájecích adaptérů. Pro zajištění maximální životnosti baterie se vyvarujte dobíjení výrobku po dobu více než týden, protože přebití může zkrátit životnost baterie. Časem se nepoužitý výrobek vybije a před použitím musí být znovu nabit. Pokud přístroj nepoužíváte, odpojte jej od zdrojů napájení. Použijte výrobek pouze pro své zamýšlené účely. **Medicínská zařízení.** Výrobek může vyzařovat elektromagnetická pole. Výrobek obsahuje magnetické součásti, které mohou zasahovat do funkce kardiostimulátorů, defibrilátorů nebo jiných lékařských zařízení. Tato elektromagnetická pole mohou zasahovat do funkce kardiostimulátorů nebo jiných lékařských zařízení. Vlastňte-li jakékoli lékařské zařízení včetně kardiostimulátorů, konzultujte použití výrobku se svým lékařem. Pokud máte podezření, že výrobek zasahuje do funkce medicínského zařízení, přestaňte okamžitě výrobek používat a okamžitě se poraďte se svým lékařem. **Zdravotní stav.** Pokud se nacházíte ve zdravotním stavu, u kterého máte podezření, že by mohl být zasažen používáním výrobku, včetně ale ne omezeno na: záchvaty, výpadky, oční stíny nebo bolesti hlavy, obraťte se na svého lékaře před použitím produktu. Používání integrované vysoce výkonné baterky zahrnuje nebezpečí citlivosti na světlo. Používání světla v režimu Strobe může u osob s fotosenzitivní epilepsií způsobit záchvaty, což může vést k vážnému zranění nebo smrti. **Světlo.** Přímé hledění přímo do světla baterky může vést k trvalému poškození zraku. Výrobek je vybaven vysoce výkonnou přednastavenou LED lampou, která vysílá silný paprsek na nejvyšší úrovni. **Čištění.** Před každou údržbou nebo čištěním vypněte zařízení. Pokud je výrobek v kontaktu s kapalinou nebo jiným typem kontaminantu, ihned jej očistěte a usušte. Používejte měkkou látku, která nepouští vlákna (mikrovlákna). Zabraňte vniknutí vlhkosti do otvorů. **Prostředí s rizikem výbuchu.** Všimněte si všech varování a pokynů. Nepoužívejte výrobek v žádném prostředí s potenciálně výbušnou atmosférou, včetně oblastí s palivem nebo oblastí, které obsahují chemikálie nebo částečky, jako jsou zrna, prach nebo prach z různých kovů. **Aktivity s vážným důsledkem.** Tento výrobek není určen pro použití tam, kde selhání výrobku může vést k poranění, smrti nebo vážnému poškození životního prostředí. **Rušivý vliv rádiových vln.** Výrobek je navržen, zkoušen a vyroben tak, aby vyhovoval předpisům upravujícím emise vysokofrekvenčních kmitočtů. Takové emise z výrobku mohou negativně ovlivnit provoz jiných elektronických zařízení a způsobit jejich poruchu. **Číslo modelu: GB500** Toto zařízení vyhovuje části 15 pravidel FCC. Provoz podléhá následujícím dvěma podmínkám: (1) toto zařízení nesmí způsobovat škodlivé rušení a (2) toto zařízení musí být schopno akceptovat jakákoli přijatá rušení, včetně rušení, která mohou způsobit nežádoucí provoz. **POZNÁMKA:** Toto zařízení bylo testováno a bylo zjištěno, že podle části 15 pravidel FCC splňuje limity pro digitální zařízení třídy A. Tyto limity jsou navrženy tak, aby poskytovaly přiměřenou ochranu proti škodlivému rušení při provozu zařízení v komerčním prostředí. Toto zařízení generuje, používá a může vyzařovat vysokofrekvenční energii a pokud není instalováno a používáno v souladu s návodem k použití, může způsobit škodlivé rušení rádiové komunikace. Provoz tohoto zařízení v obytné zóně pravděpodobně způsobí škodlivé rušení, v takové případě bude uživatel muset opravit rušení na vlastní náklady.

Jak zařízení používat

Krok 1: Nabíjení zařízení GB500.

Zařízení GB500 je dodáváno částečně nabitou již v balení a před použitím musí být plně nabitou. Připojte zařízení GB500 pomocí dodávaného 12V adaptéru nebo 56W napájecího adaptéru XGC do portu 12V IN. Zařízení GB500 musí být v režimu 12V, aby bylo možné nabíjet. Před nabíjením se ujistěte, že je knoflík pro výběr napětí v poloze 12V. Port XGC 12V IN má jmenovitý výkon 12V, 5A, aby bylo zajištěno bezpečně a efektivní nabíjení interní lithiové baterie. Vzhledem k předpisům FCC doporučujeme, abyste zařízení nenabíjeli a nevybíjeli současně. Doba nabíjení jednotky GB500 se bude lišit podle úrovně vybití a použitého zdroje napájení. Skutečné výsledky se mohou lišit v závislosti na podmínkách baterie.

25% 50% 75% 100%



Při dobíjení je úroveň nabíjení interní baterie indikována LED indikátory nabíjení. LED diody začnou pomalu pulzovat na „Zapnuto“ a „Vypnuto“ a vytvoří pevný sloupec, dokud nebudou zapnuty všechny čtyři LED diody nabíjení. Po úplném nabití baterie bude zelená 100% LED pevná a LED diody nabíjení 25%, 50% a 75% se vypnou. Jednou za čas bude zelená LED 100% dioda vydávat pulsující světlo, které indikuje, že dochází k udržovacímu nabíjení.

12V DC nabíjení (60W).

Zařízení GB500 musí být v režimu 12V, aby bylo možné jej nabíjet. Před nabíjením se ujistěte, zda je knoflík pro výběr napětí v poloze 12V. Připojte 12V kabel k portu 12V IN zařízení GB500 a druhý konec k zásuvce 12V. Zapojte do napájeného konektoru AUX 12V (port zapalovače cigaret).

Napájení AC (56 W).

Zařízení GB500 musí být v režimu 12V, aby bylo možné jej nabíjet. Před nabíjením se ujistěte, že je knoflík pro výběr napětí v poloze 12V. Připojte kabel XGC 12V k portu 12V IN na zařízení GB500 a druhý konec napájecího adaptéru 56W připojte k napájení střídavým proudem (100-240VAC zásuvka).

Napájení vašich 12V zařízení.

Zařízení GB500 musí být v režimu 12V, aby bylo umožněno napájení 12V OUT. Připojte 12V kabel k portu 12V OUT na přístroji GB500 a druhý konec k zásuvce 12V female (12V port AUX / zapalovač cigaret). Připojte jakékoli standardní zařízení s napětím 12V (až 15A) pomocí zástrčky 12V a zapnutím tlačítka GB500 „Zap“ začnete zařízení napájet.

Doba nabíjení: 6-8h

Použití kabelu 12V DC nebo napájecího adaptéru pro dobíjení plně vybité jednotky. Doba nabíjení se bude lišit podle úrovně vybití.

Krok 2: Připojte zařízení k akumulátoru

Pečlivě si přečtete návod výrobce vozidla k jeho obsluze a snažte se porozumět konkrétním opatřením a doporučeným metodám pro nouzový start vozidla. Před použitím tohoto výrobku si v návodu k použití akumulátoru zjistíte jeho napětí a chemii. Zařízení GB500 je určeno pouze pro nouzové nastartování 12-voltového a 24voltového olověného akumulátoru. Před připojením k akumulátoru ověřte napětí akumulátoru. Zkontrolujte, zda je knoflík volby napětí ve správné poloze (12 V nebo 24 V) a pasuje k systému akumulátorů, které mají být nouzově nastartovány. Napětí nikdy neměňte, když je jednotka připojena k baterii. Napětí měňte, pouze když je jednotka vypnuta. Před připojením k akumulátoru ověřte, zda máte 12voltový olověný akumulátor. Zařízení GB500 není vhodný pro žádný jiný typ akumulátoru. Zjistěte správnou polaritu terminálů akumulátoru na akumulátoru. Kladný terminál akumulátoru je typicky označen těmito písmeny nebo symbolem (POS, P, +). Záporný terminál akumulátoru je typicky označen těmito písmeny nebo symbolem (NEG, N, -). Nepřipojujte v žádném případě ke karburátoru, palivovým potrubím nebo tenkým plechovým dílům. Nižší uvedené pokyny se týkají negativního zemnicího systému (nejběžnějšího). Pokud má vaše vozidlo kladný zemnicí systém (velmi neobvyklé), postupujte podle následujících pokynů v opačném pořadí.

- 1.) Zapojte negativní (černý) konektor Boost Max k negativnímu portu na zařízení GB500.
- 2.) Zapojte pozitivní (červený) konektor Boost Max k pozitivnímu portu na zařízení GB500.
- 3.) Před připojením svorek vždy očistěte koncovky. POZNÁMKA: Spatná připojení nebo znečištěné koncovky mohou způsobit kouř. Baterie s velmi nízkým napětím mohou také zvýšit pravděpodobnost kouře.
- 4.) Zapojte pozitivní (červený) konektor Boost Max k pozitivnímu (POS,P,+) terminálu akumulátoru.
- 5.) Zapojte negativní (černý) konektor Boost Max k negativnímu (NEG,N,-) terminálu baterie nebo podvozku vozidla. (Uzemnění k podvozku nemusí být vhodné pro skok zahajující velké použití.)
- 6.) Při odpojování odpojujte v opačném sledu odpojením negativního konektoru jako prvního (nebo pozitivního konektoru jako prvního v případě systémů s pozitivním uzemněním).

Krok 3: Provedení nouzového startu.

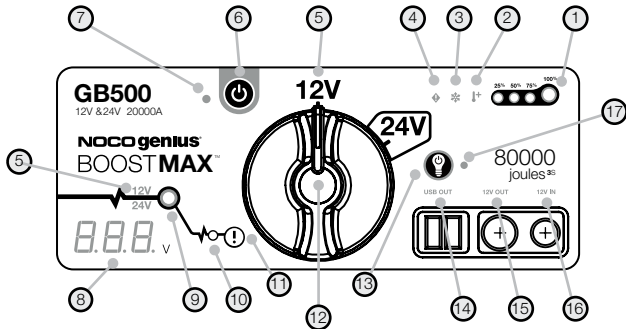
- 1.) Ujistěte se, zda jsou před pokusem o nouzový start vozidla veškerá zařízení způsobující výkonové zatížení vozidla (přední světla, rádio, klimatizace, atd.) vypnutá. Pokud má vozidlo Hlavní přepínač, přepněte ho do pozice „Zapnuto“.
- 2.) Stiskněte tlačítko Start a spusťte nouzový start vozidla. Všechny LED diody budou blikat, což signalizuje, že všechny diody LED fungují správně. Pokud jste správně připojeni k akumulátoru, rozsvítí se kontrolka White Boost LED. Pokud jsou svorky pro akumulátor připojeny v opačném směru, rozsvítí se červená chybová kontrolka LED. Otočením spojů vymažete tuto chybu a poté se rozsvítí kontrolka White Boost LED. Kontrolka White Boost LED se rozsvítí, když je zařízení GB500 připraveno k nouzovému nastartování vozidla.
- 3.) Pokuste se nastartovat vozidlo. Většina vozidel bude nastartována okamžitě. Některá vozidla budou možná vyžadovat, aby bylo zařízení GB500 zapojené až do 30 sekund před nastartováním vozidla. Pokud nenastartuje vůz hned, čekejte 20-30 sekund a zkuste to znovu. Nepokoušejte se o více než pět (5) nouzových startů akumulátoru během doby patnácti (15) minut. Před pokusem o opětovný nouzový start vozidla nechte zařízení GB500 odpočívat patnáct (15) minut.
- 4.) Jakmile se vám podaří nastartovat vozidlo, odpojte svorky pro akumulátor a odstraňte zařízení GB500.

Nízkonapětové baterie a ruční přepínání.

Zařízení GB500 je navrženo pro nouzový start 12 voltových olověných akumulátorů až do hodnoty napětí 2 voltů. Pokud je váš akumulátor pod hodnotou 2 voltů, LED kontrolka Boost bude vypnutá. To je znamení, že zařízení GB500 nemůže rozpoznat baterii. Pokud potřebujete nouzově nastartovat baterii, která má napětí menší než 2 volty, můžete využít funkci Ruční přepínání, která vám umožní zapnout funkci nouzového startu.




POZOR.

POUŽÍVEJTE TENTO REŽIM S EXTRÉMNÍ OPATRNOSTÍ. TENTO REŽIM JE URČEN POUZE PRO 12-VOLTOVÉ NEBO 24-VOLTOVÉ OLOVĚNÉ AKUMULÁTORY. ZAJISTĚTE SE, ABY KNOFLÍK PRO VÝBĚR NAPĚTÍ BYL VE SPRÁVNÉ POZICI (12 V NEBO 24 V) A ODPOVÍDAL TAK NOUZOVĚ STARTOVANÉMU SYSTÉMU AKUMULÁTORŮ. VĚNUJTE VELMI BEDLIVOU POZORNOST POLARITĚ AKUMULÁTORU JEŠTĚ PŘEDTÍM, NEŽ POUŽIJETE TENTO REŽIM. NEDOVOLTE, ABY SE POZITIVNÍ A NEGATIVNÍ SVORKY NAVZÁJEM DOTÝKALY JEDNA DRUHÉ, NEBOŤ BY VÝROBEK MOHL GENEROVAT JISKŘENÍ. TENTO REŽIM POUŽÍVÁ VELMI VYSOKOU HODNOTU PROUDU (AŽ DO 20,000 AMPÉRŮ), KTERÁ MŮŽE ZPŮSOBIT JISKŘENÍ A VYSOKOU HODNOTU TEPLA, POKUD NENÍ SPRÁVNĚ POUŽÍVÁN. NEJSTE-LI SI JISTI POUŽITÍM TOHOTO REŽIMU, NEPOKOUŠEJTE SE O TO SAMI A VYHLEDEJTE ODBORNOU POMOC.



- 1 . Hladina vnitřní baterie** znázorňuje hladinu nabití vnitřní baterie.
- 2. Horká LED** svítí červeně; jednotka je plně funkční, ale blíží se k horní hranici teploty. Bliká červeně; jednotka je příliš horká na to, aby byla nouzově nastartována, ale stále jsou k dispozici další funkce.
- 3. Studená LED** svítí modře; jednotka je plně funkční, ale blíží se nižšímu teplotnímu limitu. Bliká modrá; jednotka je příliš studená, aby mohla být nouzově nastartována, ale stále jsou k dispozici další funkce.
- 4. Chybová LED** svítí červeně, je-li detekována obrácená polarita.
- 5. Indikátor napětí** Indikuje napětí systému akumulátoru, na které je v současné době nastaveno zařízení GB500. 12V svítí bíle tehdy, když je v režimu 12V, v režimu 24V svítí modrá.
- 6. Tlačítko napájení** Zmáčkněte pro zapnutí jednotky „Zap“ a „Vyp“.
- 7. Indikátor napájení** svítí bíle tehdy, je-li jednotka ve stavu „Zapnuto“.
- 8 . Voltmetr:** Vestavěný voltmetr odečítá napětí akumulátoru vozu pro pokročilou diagnostiku a řešení potíží. Voltmetr automaticky odečte napětí jakéhokoli akumulátoru (nebo systému akumulátorů), když jsou připojeny svorky akumulátoru – i když je jednotka vypnuta. Voltmetr bude odečítat napětí mezi ~ 3V až ~ 30V. Pokud je připojen akumulátor o nižším napětí než 3V, nic se nezobrazí. V této situaci je pravděpodobné, že je akumulátor zatížený prvky, jako jsou například světlomety nebo střídavé ventilátory, které by měly být před pokusem o nastartování vozidla vypnuty.
- 9. Indikátor Boost LED** svítí bíle, je-li aktivní funkce Boost. Je-li jednotka správně připojena k akumulátoru, zařízení GB500 automaticky detekuje akumulátor a přejde do režimu Boost (bílá LED dioda bliká, je-li aktivní funkce ručního přepisování).
- 10 . LED Indikátor Ruční přepis** svítí červeně, když je aktivována funkce Ruční přepis.
- 11 . Tlačítko Ruční přepis:** Pro spuštění stiskněte a podržte na tři (3) sekundy. **VAROVÁNÍ: Zablokuje bezpečnostní ochranu a ručně vynucuje funkci Boost v poloze „Zapnuto“. Pouze pro použití v těch případech, kdy je akumulátor příliš napětově nízký na to, aby byl detekován.**
- 12 . Knoflík pro výběr napětí** Otočte a přepínejte jím mezi režimy 12V a 24V.
- 13 . Tlačítko Světelný režim** Přepíná pracovní světlo 7 světelnými režimy: 100%> 50%> 10%> SOS> Rychlé blikání> Pomalé blikání> Vypnuto.
- 14 . LED kontrolka USB Out** svítí bíle; Funkce USB Out může být použita jak u 12V tak 24V režimu.
- 15 . LED kontrolka 12V Out LED** svítí bíle; Funkce 12V Out může být použita pouze v režimu pro hodnotu 12 V.
- 16 . LED kontrolka 12V In LED** svítí bíle; Funkce 12V In smí být použita pouze v režimu 12V.
- 17 . LED kontrolka Light Mode** svítí bíle, když je pracovní světlo přepnuté do pozice „Zapnuto“, ale jednotka je vypnutá.

Odstraňování Problémů

Chybová	Důvod / řešení
 Chybová kontrolka LED: Svítí plně červeně Chybová kontrolka LED: Jednoduché (1) bliknutí Chybová kontrolka LED: Dvojitě (2) blikání Chybová kontrolka LED: Trojitě (3) blikání Chybová kontrolka LED: Čtyřnásobné (4) blikání Chybová kontrolka LED: Pětinásobné (5) blikání	Byla zjištěna obrácená polarita. / Obráťte připojení akumulátoru. Na svorkách akumulátoru byl zjištěn zkrat. / Odstraňte všechny zátěže, znovu připojte svorky k akumulátoru. Doba nouzového startu akumulátoru je větší než deset (10) minut. / Vypněte jednotku a poté ji zapněte. Vnitřní chyba hlavního spínače. / Ujistěte se, zda je knoflík volby napětí správně umístěn v poloze 12V nebo 24V. Během nabíjení byla zjištěna vadná akumulátorová články. / Vypněte jednotku a kontaktujte podporu společnosti NOCO. Nadproudová chyba zařízení XGC OUT. / Odstraňte zatížení ze zařízení XGC OUT, poté „Vypněte“ jednotku a následně ji „Zapněte“.
 + Kontrolka horka LED: Svítí plným světlem Kontrolka horka LED: Bliká Kontrolka horka LED: Bliká a poté zhasnou všechny kontrolky LED	Jednotka je plně provozuschopná, ale blíží se k horní teplotní hranici. / Nechejte jednotku vychladnout. Jednotka je příliš horká na to, aby mohla provést nouzový start, ale další funkce jsou stále k dispozici. / Nechte jednotku vychladnout. Jednotka je příliš horká na to, aby mohla provést nouzový start, nebo aby bylo možno použít jiné funkce. / Nechte přístroj vychladnout a přeneste jednotku do chladnějšího prostředí.
 Chladová kontrolka LED: Svítí plným světlem Chladová kontrolka LED: Bliká Chladová kontrolka LED: Bliká a poté všechny kontrolky LED zhasnou	Jednotka je plně provozuschopná, ale blíží se k dolní teplotní hranici. / Nechejte jednotku zahřát. Jednotka je příliš chladná na to, aby mohlo být provedeno nouzové nastartování, ale ostatní funkce jsou stále k dispozici. / Nechte jednotku zahřát. Jednotka je příliš studená na to, aby mohlo být provedeno nouzové nastartování nebo použity jiné funkce. / Nechte jednotku zahřát a přeneste jednotku do teplejšího prostředí.
Technická poznámka	Lithium-iontové baterie se při použití samy zahřívají. Pokud svítí chladová chybová kontrolka LED, pokuste se několikrát provést nouzový start, aby došlo k zahřátí baterie a odstranění chyby. Obvykle jsou k zahřátí a odstranění chyby zapotřebí 3-4 nouzové starty

Technické specifikace

Vnitřní baterie:	Lithium Ion
Hodnota špičkového proudu:	20,000A
joules3S:	80,000+
Provozní teplota:	-30°C až +50°C (-22°F až +122°F)
Teplota nabíjení:	0°C až +40°C (32°F až +104°F)
Teplota skladování:	-20°C až +50°C (-4°F až +122°F) (Prům. tepl.)
USB (Výstup):	5V, 2,1A
12V (Vstup):	12V, 5A
12V (Výstup):	12V, 15A
Ochrana pláště:	IP65 (w/Zavřené porty)
Chlazení:	Přirozená konvekce
Rozměry (L x W x H):	12,25 x 8,25 x 2,25 Palců (311,15 x 209,55 x 57,15 mm)
Hmotnost:	19 Liber

Záruční list

NOCO Genius One Omezená záruka na jeden (1) rok.

Společnost NOCO Company ("NOCO") zaručuje, že tento výrobek („Výrobek“) bude bez závad, co se materiálu i provedení týče, po dobu jednoho (1) roku od data zakoupení („Záruční doba“). V případě závad hlášených během záruční doby společnost NOCO podle svého uvážení a na základě analýzy technické podpory společnosti NOCO buď opraví nebo nahradí vadné výrobky. Náhradní díly a výrobky budou nové nebo provozně použitelné, funkční a výkonově srovnatelné s originální součásti a se zárukou na zbývající část původního záručního období.

ZODPOVĚDNOST SPOLEČNOSTI NOCO JE PODLE TÉTO SMLOUVY OMEZENÁ VÝHRADNĚ NA VÝMĚNU NEBO OPRAVU. V MAXIMÁLNÍM ROZSAHU POVOLENÉM ZÁKONEM NENESE SPOLEČNOST NOCO ŽÁDNOU ZODPOVĚDNOST VŮČI KUPUJÍCÍMU PRODUKTU NEBO JAKÉKOLI TŘETÍ STRANĚ ZA ŽÁDNÉ SPECIÁLNÍ, NEPŘÍMÉ, NÁSLEDNÉ NEBO EXEMPLÁRNÍ ŠKODY VČETNĚ, ALE BEZ OMEZENÍ NA ZTRÁTU ZISKŮ, POŠKOZENÍ MAJETKU NEBO OSOBNÍ ZRANĚNÍ JAKÝMKOLI ZPŮSOBEM SOUVISEJÍCÍM S VÝROBKEM, ZPŮSOBENÝM JAKKOLI, I KDYBY SPOLEČNOST NOCO MĚLA POVĚDOMÍ O MOŽNOSTI TAKOVÝCH POŠKOZENÍ. ZÁRUKY ZDE UVEDENÉ JSOU SOUČÁSTÍ VŠECH DALŠÍCH ZÁRUK, VÝSLOVNÝCH, PŘEDPOKLÁDANÝCH, ZÁKONNÝCH NEBO JINÝCH, VČETNĚ, BEZ OMEZENÍ, PŘEDPOKLÁDANÝCH ZÁRUK OBCHODOVATELNOSTI A VHODNOSTI PRO KONKRÉTNÍ ÚČEL A TĚCH VYPLYVAJÍCÍCH Z POUŽÍVÁNÍ OBCHODU, POUŽÍVÁNÍ NEBO OBCHODNÍ PRAXE. V PŘÍPADĚ, ŽE JAKÉKOLI ZÁKONY UKLÁDAJÍ ZÁRUKY, PODMÍNKY NEBO ZÁVAZKY, KTERÉ NEMOHOU BÝT VYLOUČENY NEBO UPRAVENY, BUDE TENTO ODSTAVEC PLATIT V NEJVĚTŠÍM ROZSAHU POVOLENÉM TAKOVÝMI ZÁKONY.

Tato omezená záruka je poskytována výhradně ve prospěch původního kupujícího výrobku od společnosti NOCO nebo od prodejce nebo distributora schváleného společností NOCO a není přiřazená ani přenositelná. Pro uplatnění nároku na záruku musí kupující: (1) požádat Podporu společnosti NOCO o číslo podpory pro vrácení zboží („RMA“) a informace o místě vrácení (místo návratu) prostřednictvím e-mailu na adresu support@no.co nebo telefonicky na telefonním čísle 1 800 456 6626; a (2) zaslat produkt včetně čísla RMA, účtenky nebo záručního poplatku (poplatek je požadovaný pouze v případě, že zákazník neposkytne účtenku), která činí 45% MSRP z vadného produktu („Záruční poplatek“) [RMA bude obsahovat příslušnou částku záručního poplatku] na místo návratu. NEODESÍLEJTE VÝROBEK BEZ PŘEDCHOZÍHO ZÍSKÁNÍ ČÍSLA RMA OD PODPORY SPOLEČNOSTI NOCO.

PŮVODNÍ KUPUJÍCÍ JE ZODPOVĚDNÝ (A MUSÍ JE PŘEDEM ZAPLATIT) ZA VŠECHNY NÁKLADY NA BALENÍ A DOPRAVU PRO DOPRAVU VÝROBKŮ K ZÁRUČNÍM OPRAVĚ.

NEHLEDĚ NA VÝŠE UVEDENÉ JE TATO OMEZENÁ ZÁRUKA ZRUŠENÁ A NEVZTAHUJE SE NA VÝROBKY, KTERÉ: (a) jsou zneužitě, špatně ovládané, vystavené zneužití nebo nedbalému zacházení, vystavené nehodě, nesprávně skladované nebo používané za podmínek vysokého napětí, teploty, šoku nebo vibrace mimo doporučení společnosti NOCO pro bezpečné a efektivní použití; (b) nesprávně nainstalované, používané nebo udržované; (c) jsou/byly modifikovány bez výlučného písemného souhlasu společnosti NOCO; (d) byly rozebírány, pozměňovány nebo opravovány někým jiným než společností NOCO; (e) jejichž vady byly hlášeny až po Záruční době.

TATO OMEZENÁ ZÁRUKA NEPOKRÝVÁ: (1) běžné opotřebení; (2) kosmetické poškození, které nemá vliv na funkci; nebo (3) Výrobky, u nichž chybí, je pozměněno nebo poškozeno sériové číslo společnosti NOCO.

Váš výrobek společnosti NOCO si můžete zaregistrovat online na webu: no.co/register. Máte-li nějaké otázky ohledně vaší záruky nebo výrobku, kontaktujte Podporu společnosti NOCO (e-mail a telefonní číslo naleznete výše) nebo pište na adresu: The NOCO Company, ulice: 30339 Diamond Parkway, #102, Glenwillow, OH 44139 USA.

NOCO genius[®] BOOSTMAX[™]

GB500



NEBEZPEČENSTVO

Používateľská príručka a záručné informácie



PRED POUŽITÍM TOHTO VÝROBKU SI PREČÍTAJTE VŠETKY BEZPEČNOSTNÉ INFORMÁCIE A POROZUMEJTE IM. Nedodržanie týchto bezpečnostných pokynov môže mať za následok ZÁSAH ELEKTRICKÝM PRÚDOM, VÝBUCH a POŽIAR, ktoré môžu vyústiť do VÁŽNEHO ZRANENIA, SMRTI alebo ŠKODY NA MAJETKU.



Zásah elektrickým prúdom. Výrobok je elektrické zariadenie, ktoré môže spôsobiť zásah elektrickým prúdom a spôsobiť vážne zranenie. Neodrezávajte elektrické káble. Neponárajte zariadenie do vody ani ho nezamokrite.



Výbuch. Nesledované, nekompatibilné alebo poškodené batérie môžu pri používaní s výrobkom vybuchnúť. Počas používania výrobku ho nenechávajte bez dozoru. Nesnažte sa o strmý štart poškodenej alebo zamrzutej batérie. Výrobok používajte výlučne s batériami s odporúčaným napätím. Výrobok používajú v dobre vetraných oblastiach.



Požiar. Výrobok je elektrické zariadenia, ktoré vydáva teplo a dokáže spôsobiť popálenie. Výrobok nezakrývajte. Pri používaní výrobku nefajčite a nepoužívajte zdroj elektrických iskier alebo ohňa. Výrobok uchovávajte mimo dosahu horľavých materiálov.



Zranenie očí. Pri používaní výrobku noste chrániče očí. Batérie môžu vybuchnúť, pričom môže dôjsť k vyleteniu úlomkov. Elektrolyt môže spôsobiť podráždenie očí a pokožky. V prípade zasiahnutia očí alebo pokožky opláchnite zasiahnutú oblasť tečúcou čistou vodou a okamžite kontaktujte centrum pre otravy.



Výbušné plyny. Práca v blízkosti olova je nebezpečná. Batérie vytvárajú počas bežnej prevádzky výbušné plyny. Aby ste znížili riziko výbuchu batérie, dodržiavajte všetky bezpečnostné pokyny, pokyny stanovené výrobcom batérie a výrobcom každého zariadenia, ktoré sa má používať v blízkosti batérie. Skontrolujte upozorňujúce značky na týchto výrobkoch a na motore.

Slovenčina

Pre ďalšie informácie a podporu navštívte:

www.no.co/support

Dôležité bezpečnostné výstrahy

Návrh 65. Výbežky, kontakty a súvisiace príslušenstvo batérií obsahujú chemikálie vrátane olova. Tieto materiály s v štáte Kalifornia známe tým, že spôsobujú rakovinu, vrodené chyby a iné reprodukčné poškodenie. **Osobné preventívne opatrenia.** Výrobok používajte len v súlade s určením. V dosahu vášho hlasu alebo vo vašej blízkosti by mala byť nejaká osoba, ktorá by vám v prípade núdze prišla na pomoc. V blízkosti majte pripravenú čistú vodu a mydlo pre prípad znečistenia elektrolytom. Pri práci v blízkosti batérie noste kompletnú ochranu očí a ochranný odev. Po manipulácii s batériami a súvisiacim materiálom si vždy umyte ruky. Pri práci s batériami nemanipulujte s kovovými predmetmi, ako sú nástroje, hodinky či šperky, ani ich nemajte na sebe. Ak do batérie spadne kov, môže dôjsť k iskreniu alebo ku skratu, čo môže mať za následok zásah elektrickým prúdom, požiar, výbuch, ktoré môžu vyústiť do zranenia, smrti alebo škody na majetku. **Nepľnoleté osoby.** Ak „Kupujúci“ plánuje, že výrobok budú používať nepľnoleté osoby, kupujúci dospelý súhlasí, že pred použitím poskytne každej nepľnoletej osobe podrobné pokyny a výstrahy. Nedodržanie tejto požiadavky je výlučnou zodpovednosťou „Kupujúceho“, ktorý súhlasí s tým, že odškodní spoločnosť NOCO za každé použitie v rozpore s určením alebo zneužitie nepľnoletými osobami. **Nebezpečenstvo prehltnutia.** Príslušenstvo môže pre deti predstavovať nebezpečenstvo prehltnutia. Nenechávajte deti bez dozoru so žiadnym výrobkom ani príslušenstvom. Výrobok nie je hračka. **Manipulácia.** S výrobkom manipulujte opatrne. Výrobok sa pri náraze môže poškodiť. Nepoužívajte poškodený výrobok vrátane (nielen) výrobku, ktorý má prasknutý kryt alebo poškodené káble. Nepoužívajte výrobok s poškodeným napájacím káblom. Vlhkosť a kvapaliny môžu výrobok poškodiť. Nemanipulujte s výrobkom ani elektrickými dielmi v blízkosti kvapalín. Výrobok skladujte a používajte na suchých miestach. Ak sa výrobok zamokří, nepoužívajte ho. Ak sa už výrobok používa a dôjde k jeho zamokreniu, odpojte ho od batérie a okamžite ho prestaňte používať. Neodpájajte výrobok ťahaním z káble. **Modifikácie.** Nesnažte sa upraviť, modifikovať ani opravovať akúkoľvek súčasť výrobku. Pri demontáži výrobku môže dôjsť k zraneniu, smrti alebo škode na majetku. Ak sa výrobok poškodí, zlyhá alebo príde do kontaktu s akoukoľvek kvapalinou, prestaňte ho používať a kontaktujte spoločnosť NOCO. Akákoľvek modifikácia výrobku spôsobu stratu záruky. **Príslušenstvo.** Tento výrobok je schválený na používanie výlučne s príslušenstvom NOCO. Spoločnosť NOCO nie je zodpovedná za bezpečnosť používateľa ani jeho škody, ak používa iné príslušenstvo ako schválené spoločnosťou NOCO. **Miesto.** Zabráňte kontaktu elektrolytu s výrobkom. Nepoužívajte výrobok v uzavretej oblasti alebo oblasti s obmedzeným vetraním. Neumiestňujte batériu na výrobok. Káblové vedenia umiestnite tak, aby nedošlo k ich náhodnému poškodeniu pohyblivými dielmi auta (vrátane kapoty a dverí), pohyblivými dielmi motora (vrátane lopatiek ventilátora, pásov a kladiek) alebo čímkovke, čo by mohlo predstavovať nebezpečenstvo a spôsobiť zranenie alebo smrť. **Prevádzková teplota.** Tento výrobok je navrhnutý tak, aby pracoval pri teplotách od - 30 °C do + 50 °C. Neprevádzkujte ho mimo tohto teplotného rozsahu. Nevykonávajte strmý štart zamrzutej batérie. Ak sa batéria nadmerne zohreje, výrobok okamžite prestaňte používať. **Skladovanie.** Výrobok nepoužívajte ani neskladujte v oblastiach s vysokými koncentraciami prachu alebo materiálmi vznášajúcimi sa vo vzduchu. Výrobok skladujte na plochých, bezpečných povrchoch tak, aby nebol náchylný na spadnutie. Výrobok skladujte na suchom mieste. Skladovacia teplota je - 20 °C až + 25 °C (priemerná teplota). Nikdy a za žiadnych podmienok neprekračujte teplotu 80 °C. **Kompatibilita.** Výrobok je kompatibilný len s 12-voltovými a 24-voltovými systémami olovených batérií. Nesnažte sa používať výrobok s akýmkoľvek iným druhom batérií. Strmý štart chemikálií iných batérií môže mať za následok zranenie, smrť alebo škodu na majetku. Predtým, ako sa pokúsíte o strmý štart batérie, skontaktujte sa s jej výrobcom. Nevykonávajte strmý štart batérie, ak nemáte istotu o chemickom zložení batérie alebo jej napätí. **Batéria.** Vo výrobku integrovanú lítium-iónovú batériu smie vymeniť výlučne spoločnosť NOCO a je nutné ju zrecyklovať alebo zlikvidovať mimo domového odpadu.

Nesnažte sa vymeniť batériu sami a nemanipulujte s poškodenou alebo tečúcou lítium-iónovou batériou. Nikdy nevyhadzujte batériu do domového odpadu. Vyhadzovanie batérií do domového odpadu je na základe štátnych a federálnych zákonov a predpisov USA nezákonné. Použité batérie vždy odovzdajte v miestnom recyklačnom stredisku. Ak je batéria výrobku nadmerne horúca, vydáva zápach, je zdeformovaná, rozseknutá alebo vyzerá neobvykle, okamžite zastavte každé používanie a kontaktujte spoločnosť NOCO. **Nabíjanie batérie.** Výrobok nabíjajte pomocou dodaného 12 V DC adaptéra alebo nabíjacieho adaptéru 56W XGC. Pri používaní nabíjajúcich adaptérov nižšej kvality postupujte opatrne, pretože môžu predstavovať vážne elektrické riziko, ktoré môže mať za následok zranenie osoby, poškodenie zariadenia a majetku. Pri používaní poškodených káblov či nabíjačiek alebo pri nabíjaní v prítomnosti vlhkosti môže dôjsť k zásahu elektrickým prúdom. Spoločnosť NOCO nenesie zodpovednosť za bezpečnosť používateľa, ktorý používa príslušenstvo alebo zásoby, ktoré nie sú schválené spoločnosťou NOCO. Nabíjacie adaptéry sa môžu počas bežného používania zohriať a pri ich dlhšom kontakte s pokožkou môže dôjsť k zraneniu. Pri používaní nabíjajúcich adaptérov vždy zabezpečte dostatočné vetranie okolo nich. Aby bola zabezpečená maximálne životnosť batérie, zabráňte tomu, aby sa výrobok nabíjal dlhšie ako týždeň v kuse, pretože prebývanie môže skrátiť životnosť batérie. Nepoužívaný výrobok sa časom vybije a pred použitím sa musí nabiť. Ak sa výrobok nepoužíva, odpojte ho od napájajúcich zdrojov. Výrobok používajte len na príslušné stanovené účely. **Lekárske prístroje.** Výrobok môže vytvárať elektromagnetické polia. Výrobok obsahuje magnetické diely, ktoré môžu rušiť fungovanie kardiostimulátorov, defibrilátorov a iných lekárskeho prístrojov. Tieto elektromagnetické polia môžu rušiť fungovanie kardiostimulátorov a iných lekárskeho prístrojov. Ak máte nejaký lekárskeho prístroj vrátane kardiostimulátora, pred použitím výrobku sa poraďte so svojím lekárom. Ak máte podozrenie, že výrobok ruší fungovanie lekárskeho prístroja, výrobok okamžite prestaňte používať a obráťte sa na svojho lekára. **Zdravotný stav.** Ak máte zdravotný stav, na ktorý podľa vás môže mať výrobok vplyv, ako napríklad (nielen) záchvaty, straty vedomia, únava očí alebo bolesti hlavy, pred použitím výrobku sa poraďte so svojím lekárom. Používanie integrovanej vysoko výkonnej baterky predstavuje riziko citlivosti na svetlo. Používanie svetla v režime pulzovania môže osobám, ktoré trpia fotosenzitívnou epilepsiou, spôsobiť záchvaty, čo môže mať za následok vážne zranenie alebo smrť. **Svetlo.** Dívajte sa priamo do baterky môže mať za následok trvalé poškodenie zraku. Výrobok je vybavený vysoko výkonnou lampou LED s vopred určeným smerovaním, ktorá pri najvyššom nastavení vydáva silný lúč svetla. **Čistenie.** Pred vykonávaním údržby alebo čistením výrobok vypnite. Výrobok vyčistite a osušte okamžite po tom, ako príde do kontaktu s kvapalinou alebo ľubovoľným typom nečistoty. Používajte mäkkú tkaninu nepúšťajúcu vlákna (mikrovlákno). Zabráňte vniknutiu vlhkosti do otvorov. **Výbušné prostredia.** Dodržiavajte všetky značky a pokyny. Nepoužívajte výrobok v oblasti s potenciálne výbušnou atmosférou vrátane čerpacích oblastí alebo oblastí, ktoré obsahujú chemikálie alebo častice ako zrnkový, prachový alebo kovový prášok. **Činnosti s rozsiahlymi následkami.** Tento výrobok nie je určený na používanie tam, kde by porucha výrobku mohla viesť k zraneniu, smrti alebo vážnemu poškodeniu životného prostredia. **Rádiofrekvenčné rušenie.** Výrobok je navrhnutý, testovaný a vyrobený tak, aby spĺňal požiadavky predpisov upravujúcich rádiofrekvenčné emisie. Takéto emisie z výrobku môžu negatívne ovplyvniť prevádzku iných elektronických zariadení a spôsobiť ich poruchu **Číslo modelu: GB500** Toto zariadenie spĺňa požiadavky časti 15 smerníc FCC. Pre prevádzku platia nasledujúce dve podmienky: (1) tento prístroj nesmie spôsobovať škodlivé interferencie a (2) tento prístroj musí akceptovať všetky prijaté interferencie vrátane interferencií, ktoré môžu spôsobiť nežiaducu činnosť. **POZNÁMKA:** Toto zariadenie bolo otestované a bolo konštatované, že vyhovuje obmedzeniam pre digitálne zariadenia triedy A, v súlade s časťou 15 smerníc FCC. Tieto limity sú navrhnuté tak, aby poskytovali rozumnú ochranu proti rušivému vplyvu pri používaní zariadenia v komerčnom prostredí. Tento výrobok generuje, používa a môže vyžarovať energiu s rádiovou frekvenciou, a ak nie je inštalovaný a používaný v súlade s návodom na používanie, môže spôsobiť rušenie rádiové komunikácie. Používanie tohto zariadenia v obývanej oblasti môže spôsobiť škodlivé rušenie a v takom prípade sa od používateľa bude vyžadovať, aby rušenie skorigoval na vlastné náklady.

Návod na používanie

1. krok: Nabíte zariadenie GB500.

Zariadenie GB500 sa dodáva čiastočne nabité a pred používaním sa musí úplne nabiť. Pripojte zariadenie GB500 pomocou dodaného 12 V adaptéra alebo nabíjacieho adaptéra 56W XGC k portu 12V IN. Zariadenie GB500 musí byť v režime 12V, aby sa dalo nabíjať. Pred nabíjaním zaistíte, aby bol volič v polohe 12V. Port XGC 12V IN je dimenzovaný na 12 V, aby bolo zaistené bezpečné a efektívne nabíjanie internej lítiovej batérie. Na základe nariadení FCC odporúčame nevykonávať súčasne nabíjanie aj vybijanie výrobku. Čas nabitia zariadenia GB500 sa líši podľa úrovne vybitia a použitého nabíjacieho zdroja. Skutočné výsledky sa môžu líšiť podľa stavu batérie.

Doba nabíjania: 6 – 8 hod.

Nabitie úplne vybitej jednotky pomocou 12 V DC kábla alebo nabíjacieho adaptéra AC. Doba nabíjania sa líši podľa úrovne vybitia.

25% 50% 75% 100% Pri nabíjaní je úroveň nabitia internej batérie zobrazená kontrolkami LED nabíjania. Kontrolky LED budú pomaly blikať a potom začnú nepretržite svietiť, kým všetky štyri kontrolky LED budú zapnuté. Keď sa batéria úplne nabije, zelená kontrolka LED 100% bude nepretržite svietiť a kontrolky LED nabíjania 25%, 50% a 75% zhasnú. Občas bude kontrolka LED 100% blikať, čo znamená, že dochádza k udržiavaniu nabitia.



12 V DC nabíjanie (60 W).

Zariadenie GB500 musí byť v režime 12V, aby sa dalo nabíjať. Pred nabíjaním zaistíte, aby bol volič v polohe 12V. Pripojte 12 V kábel k portu „12V IN“ na zariadení GB500 a druhý koniec do zástrčky 12V. Zapojte do nabíjacieho konektora 12V AUX (port pre zapalovač).

AC nabíjanie (56 W).

Zariadenie GB500 musí byť v režime 12V, aby sa dalo nabíjať. Pred nabíjaním zaistíte, aby bol volič v polohe 12V. Pripojte 12 V XGC kábel k portu 12V IN na zariadení GB500 a druhý koniec nabíjacieho adaptéra 56W k napájaciemu zdroju AC (sieťová zásuvka 100 – 240 V AC).

Nabíjanie 12 V zariadení.

Zariadenie GB500 musí byť v režime 12V, aby bolo možné aktivovať port 12V OUT. Pripojte 12 V kábel k portu 12V OUT na zariadení GB500 a druhý koniec do zásuvky 12V (12V AUX/port pre zapalovač). Pripojte ľubovoľné štandardné 12 V zariadenie (do 15 A) do konektora 12V a zapnutím zariadenia GB500 (On) spustíte napájanie vášho zariadenia.

2. krok: Pripojte k batérii.

Dôkladne si prečítajte a pochopte návod na používanie vozidla, najmä konkrétne preventívne opatrenia a odporúčané spôsoby pre strmý štart vozidla. Pred používaním tohto výrobku stanovte napätie a chemické zloženie batérie, ktoré zistíte v príručke majiteľa batérie. Zariadenie GB500 je určené na ostrý štart 12-voltovými a 24-voltovými systémami olovených batérií. Pred pripojením batérie skontrolujte napätie batériového systému. Zaistíte, aby bol volič napätia v správnej polohe (12V alebo 24V) zodpovedajúcej batériovému systému, na ktorom sa ide vykonať ostrý štart. Nikdy nemeňte napätie, keď je jednotka pripojená k batérii. Zmenu napätia vykonajte len, keď je jednotka vypnutá. Zariadenie GB500 nie je vhodné pre žiadny iný typ batérie. Zistíte správnu polaritu kontaktov batérie. Plusový kontakt batérie je typicky označený týmito písmenami alebo symbolom (POS, P, +). Mínusový kontakt batérie je typicky

označený týmito písmenami alebo symbolom (NEG, N, -). Nevytvárajte spojenia s karburátorom, palivovými vedeniami alebo tenkými, plechovými kovovými dielmi. Nižšie uvedené pokyny platia pre systém záporného uzemnenia (najbežnejšie). Ak má vaše vozidlo systém kladného uzemnenia (veľmi zriedkavé), postupujte podľa nižšie uvedených pokynov v opačnom poradí.

- 1.) Záporný konektor Boost Max (čierny) pripojte k zápornému portu na zariadení GB500.
- 2.) Kladný konektor Boost Max (červený) pripojte ku kladnému portu na zariadení GB500.
- 3.) Vždy vyčistite terminály pred pripojením svoriek. POZNÁMKA: Chybné pripojenia alebo špinavé terminály svoriek môžu spôsobiť dym. Batérie s veľmi nízkym napätím tiež zvyšuje pravdepodobnosť dymu.
- 4.) Kladný konektor Boost Max (červený) pripojte k plusovému kontaktu batérie (POS, P, +).
- 5.) Záporný konektor Boost Max (čierny) pripojte k mínusovému kontaktu batérie (NEG, N, -) alebo podvozku vozidla. (Uzemnenie na podvozku nemusí byť vhodné na spustenie veľkých aplikácií.)
- 6.) Pri odpájaní postupujte opačne – najprv odpojte mínusový kontakt (v prípade systémov kladného uzemnenia najprv plusový kontakt).

3. krok: **Strmý štart.**

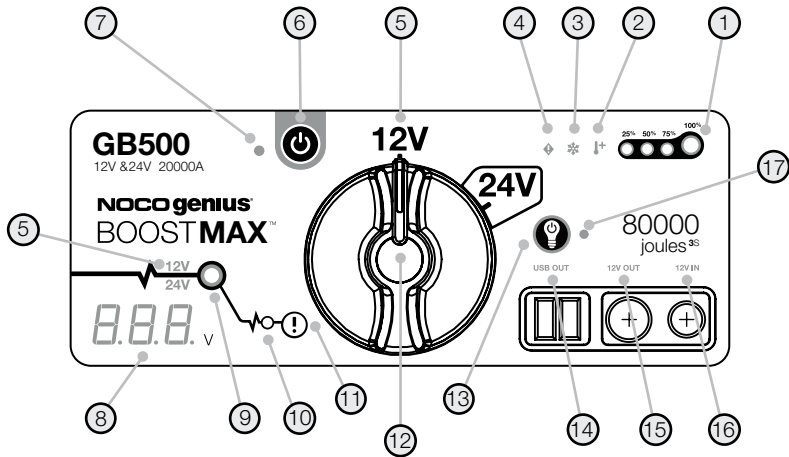
- 1.) Skontrolujte, či sú všetky výkonové záťaž (osvetlenie, rádio, klimatizácia atď.) vypnuté a až potom začnite s ostrým štartom vozidla. Ak je vozidlo vybavené hlavným vypínačom, otočte ho do polohy zapnuté.
- 2.) Ostrý štart začnite stlačením hlavného vypínača. Všetky kontrolky LED začnú blikať, čo znamená, že správne fungujú. Ak je vytvorené správne spojenie s batériou, rozsvieti sa biela kontrolka LED plnenia. Ak sú svorky batérie pripojené naopak, rozsvieti sa červená kontrolka LED chyby. Túto chybu odstránite výmenou prípojok, následne sa rozsvieti biela kontrolka LED plnenia. Biela kontrolka LED svieti, keď je zariadenie GB500 pripravené na ostrý štart vozidla.
- 3.) Skúste naštartovať vozidlo. Väčšina áut sa naštartuje okamžite. Niektoré vozidlá môžu vyžadovať, aby bolo zariadenie GB500 pred štartom pripojené aspoň 30 sekúnd. Ak vozidlo hneď nenaštartuje, počkajte 20 – sekúnd a skúste to znovu. Nevykonajte viac ako päť (5) po sebe idúcich ostrých štartov v rámci 15 minút. Nechajte zariadenie GB500 pätnásť (15) minút odpočívať a až potom sa pokúste o ďalší ostrý štart.
- 4.) Po naštartovaní vozidla odpojte svorky batérie a vyberte zariadenie GB500.

Batérie s nízkym napätím a manuálne vyradenie.

Zariadenie GB500 je určené na ostrý štart 12- až 2- voltových olovených batérií. Ak má vaša batéria napätie nižšie ako 2V, kontrolka LED plnenia zhasne. To znamená, že zariadenie GB500 nedokáže zistiť batériu. Ak potrebujete vykonať ostrý štart batérie s napätím nižším ako 2V, je k dispozícii funkcia Manuálne vyradenie, ktorá umožňuje vynútiť zapnutie funkcie ostrého štartu.




UPOZORNENIE.

TENTO REŽIM POUŽÍVAJTE VEĽMI STAROSTLIVO. TENTO REŽIM JE URČENÝ VÝLUČNE PRE 12-VOLTOVÉ ALEBO 24-VOLTOVÉ OLOVENÉ BATÉRIE. ZAISTITE, ABY BOL VOLÍČ NAPÄTIA V SPRÁVNEJ POLOHE (12V ALEBO 24V) ZODPOVEDAJÚCEJ BATÉRIOVÉMU SYSTÉMU, NA KTOROM SA IDE VYKONAŤ OSTRÝ ŠTART. OBIDVE OCHRANNÉ FUNKCIE – NA OCHRANU PRED ISKRAMI AJ OPAČNOU POLARITOU SÚ VYPNUTÉ. PRED POUŽITÍM TOHTO REŽIMU VENUJTE VEĽKÚ POZORNOSŤ POLARITE BATÉRIE. NEDOVOLTE, ABY SA Kladné a záporné svorky batérie dotýkali alebo boli navzájom prepojené, pretože v takom prípade výroba začne iskríť. Tento režim využíva veľmi vysoký prúd (do 20,000 A), ktorý môže spôsobiť vznik iskier a veľkého tepla, ak sa nepoužíva správne. Ak nemáte istotu v použití tohto režimu, nesnažte sa o to a požiadajte o profesionálnu pomoc.



- 1. Ukazovateľ nabitia internej batérie** indikuje úroveň nabitia internej batérie.
- 2. Kontrolka LED Horúce** svieti načerveno: jednotka je plne funkčná, blíži sa však k hornému teplotnému limitu. Kontrolka bliká načerveno: jednotka je príliš horúca pre strmý štart, ostatné funkcie sú však k dispozícii.
- 3. Kontrolka LED Studené** svieti namodro: jednotka je plne funkčná, blíži sa však k dolnému teplotnému limitu. Kontrolka bliká namodro: jednotka je príliš studená pre strmý štart, ostatné funkcie sú však k dispozícii.
- 4. Kontrolka LED chyby svieti načerveno:** zistila sa opačná polarita.
- 5. Indikátor napätia** ukazuje, že napätie batériového systému zariadenia GB500 je aktuálne nastavené na 12V. Keď je v režime 12V, svieti biely svetlom, keď je v režime 24V, svieti modrým svetlom.
- 6. Hlavný vypínač** slúži na zapnutie (On) a vypnutie (Off) jednotky.
- 7. Kontrolka LED napájania** svieti, keď je jednotka zapnutá.
- 8. Voltmeter** Integrovaný voltmeter odčítava napätie batérie vozidla za účelom lepšej diagnostiky a riešenia problémov. Voltmeter automaticky odčíta napätie ľubovoľnej batérie (alebo batériového systému), keď sú pripojené svorky batérie, aj keď je jednotka vypnutá. Voltmeter odčítava napätie v rozmedzí od ~ 3 V do ~ 30 V. Ak je napätie pripojenej batérie nižšie ako 3 V, nič sa nezobrazí. V tejto situácii je batéria pravdepodobne zaťažená, napríklad osvetlením alebo ventilátorom klimatizácie. Tieto funkcie treba vypnúť a potom sa znovu pokúsiť naštartovať vozidlo.
- 9. Kontrolka LED plnenia** svieti, keď je aktívna funkcia Plnenie. AK je jednotka správne pripojená k batérii, zariadenie GB500 automaticky zistí batériu a prejde do režimu Plnenie (keď je aktívna funkcia Manuálne vyradenie, kontrolka LED bliká nabíelo).
- 10. Keď sa aktivuje funkcia Manuálne vyradenie,** kontrolka LED sa rozsvieti načerveno.
- 11. Na aktivovanie manuálneho vyradenia** stlačte tlačidlo Manuálne vyradenie a podržte ho stlačené tri (3) sekundy. **VÝSTRAHA:** Vypne sa pritom bezpečnostná ochrana a manuálne sa vynúti zapnutie plnenia. Určené na používanie výlučne v prípade, keď má batéria príliš malé napätie, aby bola zistená.
- 12. Voličom napätia** možno zvoliť režim 12V a 24V.
- 13. Tlačidlom Režim svetla** možno prepínať pracovné svetlo v rámci 7 režimov svietenia: 100 % > 50 % > 10 % > SOS > Blikanie > Pulzovanie > Vyp.
- 14. Kontrolka LED USB Out** svieti bielym svetlom: funkciu USB Out možno použiť v režime 12V aj 24V.
- 15. Kontrolka LED 12V Out** svieti bielym svetlom: funkciu 12V Out možno použiť len v režime 12V.
- 16. Kontrolka LED 12V In** svieti bielym svetlom: funkciu 12V Out možno použiť len v režime 12V.
- 17. Kontrolka LED režimu svetla** sa rozsvieti nabíelo, keď je pracovné svetlo zapnuté (On), ale jednotka je vypnutá.

Riešenie problémov

Chyba	Dôvod/Riešenie
 Kontrolka LED chyby: Neprerušované červené svetlo Kontrolka LED chyby: Jedno (1) bliknutie Kontrolka LED chyby: Dve (2) bliknutia Kontrolka LED chyby: Tri (3) bliknutia Kontrolka LED chyby: Štyri (4) bliknutia Kontrolka LED chyby: Päť (5) bliknutí	Zistená opačná polarita./Vymeňte prípojky batérie. Zistený skrat na svorkách batérie./Odstráňte všetky záťaže a znovu pripojte svorky k batérii. Trvanie ostrého štartu dlhšie ako desať (10) minút. Vypnite (Off) jednotku, potom ju zapnite (On). Porucha interného hlavného vypínača./Zaistite, aby volič napätia bol v správnej polohe 12V alebo 24V. Počas nabíjania sa zistil nesprávny batériový článok./Vypnite jednotku a obráťte sa na podporu spoločnosti NOCO. Chyba nadprúdu portu XGC OUT/Odstráňte záťaž z portu XGC OUT, potom jednotku vypnite (Off) a zapnite (On).
 Kontrolka LED Horúce: Svetí Kontrolka LED Horúce: Bliká Kontrolka LED Horúce: Bliká, potom všetky kontrolky LED zhasnú	Jednotka je plne funkčná, no blíži sa k hornému teplotnému limitu./Nechajte jednotku vychladnúť. Jednotka je príliš horúca pre strmý štart, ostatné funkcie sú však k dispozícii./Nechajte jednotku vychladnúť. Jednotka je príliš horúca pre strmý štart alebo na použitie iných funkcií./Nechajte jednotku vychladnúť – umiestnite ju do chladnejšieho prostredia.
 Kontrolka LED Studené: Svetí Kontrolka LED Studené: Bliká Kontrolka LED Studené: Bliká, potom všetky kontrolky LED zhasnú	Jednotka je plne funkčná, no blíži sa k dolnému teplotnému limitu./Nechajte jednotku zohriať. Jednotka je príliš studená pre strmý štart, ostatné funkcie sú však k dispozícii./Nechajte jednotku zohriať. Jednotka je príliš studená pre strmý štart alebo na použitie iných funkcií./Nechajte jednotku zohriať – umiestnite ju do teplejšieho prostredia.
Technická poznámka	Lítium-iónové batérie sa pri používaní samočinne zohrievajú. Ak sa rozsvieti kontrolka LED chyby, pokúste sa niekoľkokrát o ostrý štart, aby sa batéria zohrialala a odstránila sa chyba. Bežne stačia na zohriatie batérie odstránenie chyby 3 – 4 štarty.

Technické parametre

Interná batéria:	Lítium-iónová (Watthodina 266)
Vrcholový menovitý prúd:	20,000A
joules3S:	80,000 +
Prevádzková teplota:	od - 30 °C do + 50 °C (-22°F do +122°F)
Teplota pri nabíjaní:	od 0 °C do + 40 °C (32°F do+104°F)
Teplota uskladnenia:	od - 20 °C do + 50 °C (-4°F do +122°F) (priem. teplota)
USB (výstup):	5 V, 2,1 A
12V (Input):	12V, 5A
12V (Output):	12V, 15A
Ochrana krytu:	IP65 (w/Porty zatvorené)
Chladienie:	Prirodzené prúdenie
Rozmery (D x Š x V) .	12,25 x 8,25 x 2,25 Pal (311,15 x 209,55 x 57,15 mm)
Hmotnosť:	8,6 kg (19 lib.)

Záruka

NOCO Genius – Ročná (1 rok) obmedzená záruka.

Spoločnosť NOCO („NOCO“) zaručuje, že na tomto výrobku („Výrobok“) sa nevyskytnú chyby materiálu ani spracovania počas obdobia jedného (1) roka od dátumu kúpy („Záručná doba“). Ak sa vyskytnú chyby počas Záručnej doby, spoločnosť NOCO podľa vlastného uváženia a na základe analýzy technickej podpory chybné Výrobky opraví alebo vymení. Náhradné diely a výrobky budú nové alebo účelne použité, v oblasti funkčnosti a výkonu porovnateľné s originálnym dielom a kryté zárukou pre zvyšok pôvodnej Záručnej doby.

ZODPOVEDNOSŤ SPOLOČNOSTI NOCO JE TÝMTO VYSLOVENE OBMEDZENÁ NA VÝMENU ALEBO OPRAVU. V MAXIMÁLNEJ MIERE, AKÚ UMOŽŇUJE PRÁVO, SPOLOČNOSŤ NOCO NEBUDE ZODPOVEDAŤ ŽIADNEMU KUPUJÚCEMU VÝROBKU ALEBO TRETEJ STRANE ZA ŽIADNE ŠPECIÁLNE, NEPRIAME, NÁSLEDNÉ ALEBO EXEMPLÁRNE ŠKODY VRÁTANE (NIELEN) STRATY ZISKU, POŠKODENIA MAJETKU ALEBO ZRANENIA OSOBY, AKOKOLĽEK SÚVISIACICH S VÝROBKOM, AKOKOLĽEK VZNIKNUŤE, AJ KEĎ SPOLOČNOSŤ NOCO VIE O MOŽNOSTI TAKÝCHTO ŠKÔD. VŠETKY TU STANOVENÉ ZÁRUKY NAHRADZUJÚ VŠETKY OSTATNÉ ZÁRUKY, VÝSLOVNÉ, PREDPOKLADANÉ, ŠTATUTÁRNE ALEBO INÉ VRÁTANE (NIELEN) PREDPOKLADANÝCH ZÁRUK PREDAJNOSTI A VHODNOSTI NA KONKRÉTNY ÚČEL A ZÁRUK VYPLYVAJÚCICH Z PRIEBEHU OBCHODOVANIA, POUŽITIA ALEBO OBCHODNEJ PRAXE. V PRÍPADE, ŽE PLATNÉ ZÁKONY STANOVIA ZÁRUKY, PODMIENKY ALEBO ZÁVÄZKY, KTORÉ NEMOŽNOV VYLÚČIŤ ALEBO MODIFIKOVAŤ, TENTO ODSTAVEC PLATÍ V NAJVÄČŠOM MOŽNOM ROZSAHU POVOLENOM TAKÝMITO ZÁKONMI.

Táto Obmedzená záruka slúži výlučne v prospech pôvodného kupujúceho Výrobku od spoločnosti NOCI a od predajcu alebo distribútora schváleného spoločnosťou NOCO a nemožno ju previesť ani preniesť. Na uplatnenie reklamačného nároku kupujúci musí: (1) vyžiadať si a získať číslo povolenia na vrátenie tovaru („RMA“) a informácie o mieste vrátenia („Miesto vrátenia“) od podpory spoločnosti NOCO prostredníctvom e-mailu na adresu support@no.co alebo telefonátom na číslo 1.800.456.6626; a (2) odoslať Výrobok spolu s číslom RMA, účtenkou alebo záručným poplatkom (poplatok sa požaduje len v prípade, že nemáte účtenku) vo výške 45 % z výrobcom odporúčenej maloobchodnej ceny chybného Výrobku („Záručný poplatok“) [RMA bude zahŕňať sumu príslušného Záručného poplatku] na Miesto vrátenia. NEPOSIELAJTE TENTO VÝROBKOK PREDTÝM, AKO DOSTANETE OD PODPORY SPOLOČNOSTI NOCO ČÍSLO POVOLENIA NA VRÁTENIE TOVARU (RMA). PÔVODNÝ KUPUJÚCI JE ZODPOVEDNÝ ZA (A MUSÍ VOPRED UHRADIŤ) VŠETKY NÁKLADY NA BALNÉ A PREPRAVU V RÁMCI ODOSLANIE VÝROBKU NA ZÁRUČNÝ SERVIS.

PRI NEDODRŽANÍ VYŠŠIE UVEDENÝCH BODOV TÁTO OBMEDZENÁ ZÁRUKA STRÁCA PLATNOSŤ A NEVZŤAHUJE SA NA VÝROBKY, KTORÉ: (a) boli nesprávne použité, nesprávne sa s nimi manipulovalo, boli predmetom zlého alebo nepozorného zaobchádzania, nehody, boli nevhodne skladované alebo používané v podmienkach s extrémnym napätím, teplotou, nárazmi alebo vibráciami, ktoré prekračujú odporúčania spoločnosti NOCO týkajúce sa bezpečného a efektívneho používania; (b) boli nesprávne nainštalované, prevádzkované alebo udržiavané; (c) sú/boli modifikované bez vysloveného písomného súhlasu spoločnosti NOCO; (d) boli demontované, upravené alebo opravené niekým iným ako spoločnosťou NOCO; (e) vyskytli sa na nich poruchy po Záručnej dobe.

TÁTO OBMEDZENÁ ZÁRUKA NEPOKRÝVA: (1) bežné opotrebovanie a odreniny; (2) poškodenie vzhľadu, ktoré nemá vplyv na funkčnosť; alebo (3) Výrobky, kde chýba sériové číslo NOCO, je upravené alebo znehodnotené. Výrobok NOCO môžete zaregistrovať on-line na adrese: no.co/register. Ak máte otázky týkajúce sa záruky alebo výrobku, obráťte sa na oddelenie podpory spoločnosti NOCO (e-mail a tel. číslo vyššie) alebo napíšte na adresu: NOCO Company, 30339 Diamond Parkway, #102, Glenwillow, OH 44139 USA.

NOCO genius[®] BOOSTMAX[™]

GB500



NEVARNOST

Navodila za uporabo in garancija



PRED UPORABO TEGA IZDELKA JE TREBA VSE VARNOSTNE INFORMACIJE SKRBNO PREBRATI IN RAZUMETI. Posledica nespoštovanja teh varnostnih navodil je lahko **ELEKTRIČNI UDAR, EKSPLOZIJA, POŽAR, kar lahko pripelje do RESNIH POŠKODB, SMRTI ALI MATERIALNE ŠKODE.**



Električni udar. Izdelek je električna naprava pri kateri lahko pride do električnega udara in resnih poškodb. Ne prerežite napajalnih kablov. Ne potaplajte v vodo in ne dovolite, da se zmoči.



Eksplozija. Nenadzorovane, nezdržljive ali poškodovane baterije lahko pri uporabi v izdelku eksplodirajo. Izdelka med uporabo ne puščajte brez nadzora. Ne izvajajte prisilnega zagona, kadar je baterija poškodovana ali zamrznjena. Izdelek uporabljajte samo z baterijami priporočene napetosti. Izdelek uporabljajte v dobro prezračenih območjih.



Nevarnost požara. Izdelek je električna naprava, ki oddaja toploto in lahko povzroči opekline. Izdelka ne pokrivajte. Ne kadite in ne uporabljajte kakršnekoli električne iskre ali ognja pri obratovanju izdelka. Izdelek držite stran od vnetljivih materialov.



Nevarnost poškodb oči. Pri obratovanju izdelka uporabljajte zaščitno oči. Baterije lahko eksplodirajo in povzročijo leteče drobce. Kislina baterije lahko povzroči draženje oči in kože. V primeru kontaminacije oči ali kože je treba prizadeto območje sprati pod čisto tekočo vodo in se nemudoma obrniti na center za nadzor zastrupitev.



Eksplozivni plini. Delo v bližini svinčene kisline je nevarno. Med običajnim obratovanjem baterije povzročajo le-te eksplozivne pline. Za znižanje tveganja za eksplozijo baterije upoštevajte vsa varnostna navodila in navodila, ki jih objavi proizvajalec baterije in proizvajalec katerekoli opreme, namenjene za uporabo v bližini baterije. Oglejte si previdnostne oznake na teh izdelkih in na motorju.

Slovenski

SI

Za več informacij in
podpore obiščite:

www.no.co/support

Pomembna varnostna opozorila

Določilo 65. Baterijski stebri, terminali in povezani dodatki vsebujejo kemikalije, vključno s svincem. Ti materiali so v državi Kalifornija znani kot povzročitelji raka in prirojenih okvar in drugih vplivov na sposobnost razmnoževanja. Osebni varnostni ukrepi. Izdelek uporabljajte samo v skladu z namenom. Pri delu bi moral biti nekdo na razdalji dosega vašega glasu, da vam lahko pomaga v nujnem primeru. V bližini imejte na zalogi čisto vodo in milo v primeru kontaminacije z baterijsko kislino. Pri delu blizu baterije uporabljajte popolno zaščitno oči in zaščitna oblačila. Po ravnanju z baterijami in sorodnimi materiali si vedno umijte roke. Pri delu z baterijami nikoli ne upravljajte ali nosite kovinskih predmetov; vključno z orodjem, urami in nakitom. Če pade kovina na baterijo, lahko povzroči iskro ali kratek stik in posledica tega je lahko električni udar, požar, eksplozija, ki pripeljejo do poškodbe, smrti ali materialne škode.

Mladoletne osebe. Če »kupec« nameni izdelek za uporabo pri mladoletniku, mora odrasla oseba, ki izdelek kupuje, zagotoviti podrobne informacije in opozorila za vsako mladoletno osebo, ki bo izdelek uporabljala. Nespoštovanje tega je v lastni odgovornosti »kupca«, ki se strinja s tem, da se podjetju NOCO ne povzroči nikakršna škoda v zvezi z nenamerno uporabo ali zlorabo s strani mladoletne osebe. **Nevarnost zadušitve.** Dodatki lahko predstavljajo nevarnost zadušitve za otroke. Otrok ne puščajte brez nadzora z izdelkom ali katerim od njegovih dodatkov. Izdelek ni igrača. **Uporaba.** Izdelek uporabljajte previdno. Ob spremembi izdelka se ta lahko poškoduje. Ne uporabljajte poškodovanega izdelka, vključno z, vendar ne omejeno na, razpokami ohišja ali poškodovanimi kabli. Izdelka ne uporabljajte s poškodovanim kablom. Vlaga in tekočine lahko izdelek poškodujejo. Izdelka ali električnih komponent ne uporabljajte v bližini kakršnekoli tekočine. Izdelek hranite in uporabljajte na suhih mestih. Izdelka ne uporabljajte če se zmoči. Če izdelek že uporabljate in se zmoči, potem ga odklopite z baterije in takoj prenehajte z uporabo. Izdelka ne odklapljajte tako, da ga povlečete za kable. **Spremembe.** Nobenega dela izdelka ne poskušajte predelati, spremeniti ali popraviti. Razstavljanje izdelka lahko povzroči poškodbe, smrt ali poškodovanje lastnine. Če se izdelek poškoduje, ne deluje ali pride v stik s katerokoli tekočino, potem prenehajte z uporabo in se obrnite na podjetje NOCO. Kakršnekoli spremembe izdelka bodo izničile vašo garancijo. **Dodatki.** Ta izdelek je odobren samo za uporabo z dodatki podjetja NOCO. Podjetje NOCO ne odgovarja za varnost uporabnika ali za škodo, ki bi nastala pri uporabi dodatkov, ki jih ne odobri podjetje NOCO. **Lokacija.** Preprečite, da bi baterijska kislina prišla v stik z izdelkom. Izdelka ne uporabljajte v zaprtih prostorih ali v prostorih z omejenim zračenjem. Baterije ne postavljajte na vrh izdelka. Kable namestite tako, da preprečite nenamerno poškodovanje pri premikanju delov vozila (vključno s pokrovi in vrati), pri premikanju delov motorja (vključno z ventilatorji, jermeni in škripci), ali z deli, ki bi lahko postali nevarni zaradi povzročitve škode ali smrti. **Obratovalna temperatura.** Ta izdelek je zasnovan za obratovanje v okolju s temperaturami med -30o C do 50o C. Izdelka ne uporabljajte izven temperaturnega razpona. Ne izvajajte prisilnega zagona, kadar je baterija zamrznjena. Nemudoma prekinite z uporabo izdelka, če se baterija izredno segreje. **Hramba.** Vašega izdelka ne uporabljajte in ne shranjujte na območjih z visokimi koncentracijami prahu ali drobcu zraku. Vaš izdelek shranjujte na ravnih in varnih površinah, da ne more pasti. Vaš izdelek shranjujte na suhem mestu. Temperatura za hrambo je med -20° C - 25° C (povprečna temperatura). V nobenem primeru nikoli ne presežite 80°C. **Zdržljivost.** Izdelek je združljiv z 12-voltnim in 24-voltnim sistemom z baterijo s svinčeno kislino. Izdelka ne poskušajte uporabljati z nobeno drugo vrsto baterije. Prisilni zagon baterij z drugimi kemijskimi snovmi lahko povzroči poškodbe, smrt ali poškodovanje lastnine. Pred prisilnim zagonom baterije se obrnite na proizvajalca baterije. Ne izvajajte prisilnega zagona baterije, če niste prepričani o specifičnih kemijskih snoveh baterije ali njeni napetosti. **Baterija.** Vgradno litijsko-ionsko baterijo v izdelku lahko zamenjuje samo podjetje NOCO in potrebno jo je reciklirati ali odložiti med odpadke, ločene od gospodinjstskih odpadkov. Ne poskušajte

sami zamenjati baterije in ne uporabljajte poškodovane ali preluknjane litijske-ionske baterije. Baterije nikoli ne odlagajte med gospodinjske odpadke. Odlaganje baterij v gospodinjske odpadke prepovedujejo državni in zvezni okoljevarstveni zakoni in določila. Rabljene baterije vedno oddajte v vaš lokalni center za recikliranje. Če je baterija izdelka izredno vroča, oddaja vonj, je deformirana, prerezana, ji je potekel rok trajanja ali pa kaže neobičajne znake, takoj prenehajte z uporabo in se obrnite na podjetje NOCO. **Polnjenje baterije.** Izdelek polnite s priloženim 12V DC adapterjem ali 56W XGC električnim adapterjem. Previdni bodite ob uporabi adapterjev nizke kakovosti, saj lahko predstavljajo resno električno tveganje, ki lahko povzroči poškodbe oseb, naprav in lastnine. Uporaba poškodovanih kablov ali polnilcev, ali polnjenje v vlažnem stanju lahko povzroči električni šok. Podjetje NOCO ne odgovarja za varnost uporabnika ob uporabi dodatkov ali opreme, ki je ne odobri podjetje NOCO. Ob običajni uporabi se lahko električni adapterji segrejejo in daljši stik s kožo lahko povzroči telesne poškodbe. Vedno zagotovite primerno zračenje okrog električnih adapterjev, kadar jih uporabljate. Za zagotovitev najdaljše življenjske dobe baterije se izogibajte polnjenju izdelka daljšem od enega tedna, saj lahko prekomerno polnjenje skrajša življenjsko dobo baterije. Sčasoma se neuporabljen izdelek izprazni in ga je treba pred ponovno uporabo ponovno napolniti. Kadar izdelka ne uporabljate ga izklopite iz vira napajanja. Izdelek uporabljajte samo za njegov predviden namen. **Medicinski pripomočki.** Izdelek lahko oddaja elektromagnetna polja. Izdelek vsebuje magnetne komponente, ki lahko vplivajo na srčne spodbujevalnike, defibrilatorje ali druge medicinske pripomočke. Ta elektromagnetna polja lahko vplivajo na srčne spodbujevalnike ali druge medicinske pripomočke. Če imate katerega od zdravniških pripomočkov, vključno s srčnimi spodbujevalniki, se posvetujte s svojim osebnim zdravnikom pred uporabo izdelka. Če sumite, da izdelek vpliva na zdravniške pripomočke takoj prenehajte z uporabo izdelka in se posvetujte s svojim zdravnikom. **Medicinska stanja** Če imate kakršnakoli medicinska stanja za katera menite, da bi nanje lahko izdelek vplival, vključno, vendar ne omejeno na; napade, izgubo zavesti, premočno naprezanje oči ali glavoboli, se pred uporabo izdelka posvetujte s svojim zdravnikom. Uporaba integrirane visoko zmogljive žepne svetilke vključuje tveganje za nastanek občutljivosti na svetlobo. Uporaba svetilke v stroboskopskem načinu lahko povzroči napade pri osebah s fotosenzitivno epilepsijo. **Svetloba.** Neposredno strmenje v žepno svetilko lahko povzroči trajne poškodbe oči. Izdelek ima LED preusmerjeno svetilko visoke zmogljivosti, ki oddaja močan žarek pri najvišji nastavitvi. **Čiščenje.** Izdelek izklopite pred poskusom vzdrževanja ali čiščenja. Izdelek očistite in posušite takoj, ko pride v stik s tekočino ali katerokoli vrsto onesnaženja. Uporabite mehko krpo, ki ne pušča muck (mikrovlakna). Preprečite, da bi vlaga prišla v odprtine. **Eksplozivno ozračje.** Upoštevajte vse znake in navodila. Izdelka ne uporabljajte v nobenem območju, kjer obstaja potencialno eksplozivno ozračje, vključujoč področja goriv ali področja, ki vsebujejo kemikalije ali delce, kot so zrna, prah ali kovinski prah. **Dejavnosti z večjimi posledicami.** Ta izdelek ni primeren za uporabo, kjer bi lahko izpad izdelka pripeljal do poškodbe, smrti ali hujše okoljske škode. **Radijska frekvenca.** Izdelek je zasnovan, testiran in izdelan v skladu z določili zakonodaje o emisijah radijskih frekvenc. Takšne emisije izdelka lahko negativno vplivajo na delovanje druge elektronske opreme in povzročijo, da ta ne deluje. **Številka modela: GB500** Ta naprava je v skladu s 15. delom pravil FCC. Obratovanje je predmet naslednjih dveh pogojev: (1) ta naprava ne povzroča škodljivega vpliva, in (2) ta naprava mora sprejeti vsak poseg, tudi posege, ki pripeljejo do neželenega delovanja. **OPOMBA:** Ta oprema je testirana in ugotovljena za skladno z omejitvami kategorije A za digitalne naprave, v skladu s 15. delom pravil FCC. Te omejitve so zasnovane za zagotavljanje razumne zaščite pred škodljivimi vplivi, kadar oprema deluje v komercialnem okolju. Ta oprema proizvaja, uporablja in oddaja radijsko frekvenčno energijo in, če ni nameščena v skladu z navodili za uporabo, lahko povzroči vplivanje na radijske komunikacije. Delovanje te opreme v naseljenem območju lahko povzroči vpliv in v tem primeru bo uporabnik pozvan, da na svoje lastne stroške popravi vpliv.

Uporaba

1. korak: Polnjenje GB500.

Izdelek GB500 je delno napolnjen v embalaži in ga je treba pred uporabo popolnoma napolniti. Izdelek GB500 uporabljajte s priloženim 12V adapterjem ali 56W XGC električnim adapterjem na vhod 12V IN. GB500 mora biti za polnjenje v načinu 12V. Zagotovite, da je napetostni gumb za izbor pred polnjenjem vklopljen na položaj 12V. Vhod XGC 12V IN je nastavljen na 12V, 5A za zagotovitev varnega in učinkovitega polnjenja interne litijeve baterije. Zaradi predpisov FCC priporočamo, da enote hkrati ne polnite in ne praznite. Čas za ponovno polnjenje GB500 se razlikuje na podlagi stopnje izpraznjenosti in na podlagi napajalnega vira. Dejanski rezultati se razlikujejo zaradi baterijskih pogojev.

Čas ponovnega polnjenja: 6 do 8 ur

Za ponovno polnjenje popolnoma izpraznjene enote uporabite kabel 12V DC ali AC električni adapter. Čas za ponovno polnjenje se razlikuje na podlagi stopnje izpraznjenosti.

25% 50% 75% 100%



Pri ponovnem polnjenju prikazujejo LED lučke za polnost stopnjo napolnjenosti notranje baterije. Lučka LED bo počasi utripala za »vklop« in »izklop« in se ustalila ko bodo vse štiri LED lučke za polnost neprekinjeno svetile. Ko je baterija popolnoma napolnjena bo zelena LED lučka 100% svetila neprekinjeno in lučke za 25%, 50% in 75% napolnjenost se bodo »izklopile«. Vsake toliko časa se bo vklopila zelena LED lučka za 100% za prikazovanje ohranjanja polnjenja.

Polnjenje 12V DC (60W).

Za polnjenje mora biti enota GB 500 nastavljena na način 12V. Zagotovite, da je gumb za izbor napetosti nastavljen na položaj 12V pred polnjenjem. 12V kabel povežite z vhodom 12V IN na enoti GB500 in drugi konec na moški vtič 12V. Vključite v napajanje vtič 12V AUX (vhod za polnjenje cigaretnega vžigalnika).

Polnjenje AC (56 W).

Enota GB 500 mora za polnjenje biti nastavljena na način 12V. Zagotovite, da je gumb za izbor napetosti nastavljen na položaj 12V pred polnjenjem. Kabel XGC 12V povežite z vhodom 12V IN na enoti GB500 in drugi konec električnega adapterja 56W na napajanje AC (100-240VAC stenska vtičnica).

Napajanje vaših 12V naprav.

Enota GB 500 mora biti nastavljena na način 12V za zagotovitev 12V IZHOD. 12V kabel povežite z 12V OUT vhodom na enoti GB 500 in drugi konec z ženskim vtičem 12V (12V AUC / vhod za cigaretne vžigalnik). Vključite katerokoli standardno 12V napravo (vse do 15A) z 12V vtičem in "vključite" GB 500 za zagon vaše naprave.

2. korak: Povezava z baterijo.

Previdno preberite in razumite navodila za uporabo vozila glede specifičnih previdnostnih ukrepov in priporočenih metod za prisilni zagon vozila. Zagotovite si določitev električne napetosti in kemije baterije tako, da si pred uporabo tega izdelka ogledate navodila za uporabo lastnika baterije. Enota GB500 je primerna samo za prisilni zagon 12-voltne in 24-voltne sistema z baterijami s svinčeno kislino. Pred povezavo baterije preverite napetost baterijskega sistema. Zagotovite, da je gumb za izbor napetosti nastavljen na pravilen položaj (12V ali 24V) in se ujema z baterijskim sistemom, na katerem izvajate prisilni zagon. Nikoli ne spreminjajte napetosti, če je enota še povezana z baterijo. Napetost spreminjajte le, ko je enota izključena. Pred povezavo z baterijo preverite, da imate 12-voltno baterijo s svinčeno kislino. Izdelek GB500 ni primeren za uporabo z nobeno drugo vrsto baterije. Identificirajte

pravilno polarnost baterijskih terminalov na bateriji. Pozitivni baterijski terminal je običajno označen s temi črkami ali simbolom (POS, P,+). Negativni baterijski terminal je običajno označen s temi črkami ali simbolom (NEG, N,-). Ne povežite z uplinjačem, cevmi za gorivo, ali deli iz tanke pločevine. Spodnja navodila so za sistem z negativno maso (najbolj pogosto). Če ima vaše vozilo sistem s pozitivno maso (zelo neobičajno), potem upoštevajte navodila v obratnem zaporedju.

- 1.) Negativni (črni) konektor Boost Max povežite z negativnih vhodom na enoti GB500.
- 2.) Pozitivni (rdeči) konektor Boost Max povežite s pozitivnim vhodom na enoti GB500.
- 3.) Vedno počistite terminale, preden pritrdite objemke. OPOZORILO: Neprimerne povezave ali umazani terminali lahko povzročijo dim. Baterije z zelo nizko napetostjo prav tako povečajo možnost za nastanek dima.
- 4.) Pozitivni (rdeči) konektor povežite s pozitivnim (POS, P,+) baterijskim terminalom.
- 5.) Negativni (črni) konektor Boost Max povežite z negativnim (NEG, N,-) baterijskim terminalom ali podvozjem vozila. (Ozemljitev na ohišje morda ni primerna za zagon velikih aplikacij.)
- 6.) Ob odklopu izvedite tega v obratnem zaporedju, odstranite najprej negativni terminal (ali pozitivni za pozitivni priključek mase).

3. korak: Prislilni zagon.

- 1.) Zagotovite, da so vse napajalne obremenitve vozila (luči, radio, klimatska naprava itd.) izklopljene pred poskusom prisilnega zagona vozila. Če je vozilo opremljeno z glavnim stikalom, ga prestavite v položaj "vključeno".
- 2.) Za prisilni zagon vozila pritisnite tipko za vklop - Power. Vse LED luči bodo zasvetile in prikazovale, da LED luči pravilno delujejo. Če ste baterijo pravilno povezali, potem bo zasvetila bela LED lučka za delovanje. Če ste baterijske sponke napačno povezali potem bo zasvetila rdeča LED lučka za napako. Zamenjajte baterijske sponke, da odpravite to napako in nato bo svetila bela LED lučka. Bela LED lučka bo osvetljena, kadar bo GB500 pripravljen za prisilni zagon vašega vozila.
- 3.) Poskusite zagnati vozilo. Večina vozil se bo takoj zagnala. Pri nekaterih vozilih bo morda potrebno, da je GB500 neprekinjeno povezan 30 sekund pred zagonom vozila. Če se vozilo ne zažene takoj, počakajte 20 do 30 sekund in poskusite ponovno. Ne izvedite več kot pet (5) zaporednih prisilnih zagonov v obdobju petnajst (15) minut. GB500 pustite stati petnajst (15) minut pred poskusom ponovnega zagona vozila.
- 4.) Ko ste vozilo zagnali odklopite baterijske sponke in odstranite GB500.

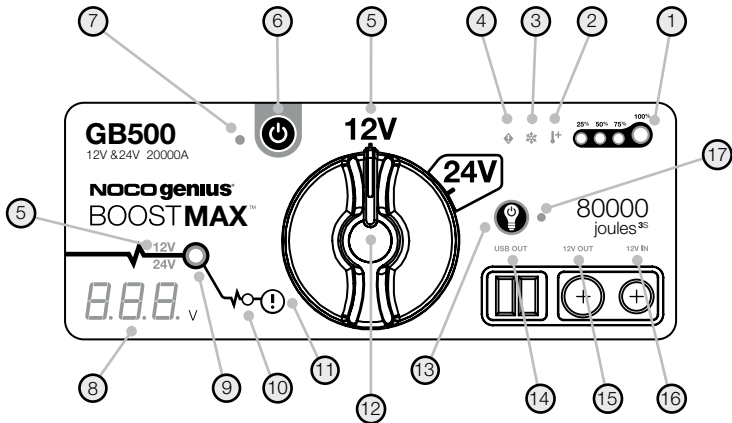
Baterija z nizko napetostjo in ročna zaustavitev

Izdelek GB500 je namenjen samo za prisilni zagon 12-voltne baterije do 2-voltne baterije s svinčeno kislino. Če imate baterijo z manj kot 2 voltoma, potem bo rdeča LED lučka ostala »izklopljena«. To prikazuje, da GB500 ne more odkriti baterije. Če želite zagnati baterijo z manj kot 2 voltoma, potem imate tukaj funkcijo Ročni preklon, ki vam omogoča da prisilite »vklop« prisilnega zagona vozila.

PREVIDNO.




TA NAČIN UPORABLJAJTE Z IZREDNO PREVIDNOSTJO. TA NAČIN JE PRIMEREN SAMO ZA 12-VOLTNE ALI 24-VOLTNE BATERIJE S SVINČENO KISLINO. ZAGOTOVITE, DA JE GUMB ZA IZBIRO NAPETOSTI NASTAVLJEN NA PRAVILEN POLOŽAJ (12V ALI 24V), KI SE UJEMA Z BATERIJSKIM SISTEMOM, NA KATEREM

IZVAJATE PRISILNI ZAGON. ONEMOGOČENA JE TAKO ZAŠČITA PRED ISKRAMI KOT TUDI ZAŠČITA OBRATNE POLARNOSTI. PRED UPORABO TEGA NAČINA SE ŠE POSEBEJ PREPRIČAJTE O POLARNOSTI BATERIJE. POZITIVNIM IN NEGATIVNIM BATERIJSKIM SPONKAM NE DOVOLJUJTE STIKA ALI POVEZAVE DRUGE Z DRUGO, SAJ BO IZDELEK POVZROČIL NASTANEK ISKER. TA NAČIN UPORABLJA ZELO VISOKO NAPETOST (VSE DO 20,000 AMPEROV), KI LAHKO POVZROČI ISKRE IN NASTANEK VISOKE VROČINE, ČE GA NE UPORABLJATE USTREZNO. ČE NISTE PREPRIČANI O UPORABI TEGA NAČINA, GA NE UPORABLJAJTE IN POIŠČITE PROFESIONALNO POMOČ.



- 1. Interna polnost baterije** nakazuje stopnjo polnosti interne baterije.
- 2. Vroča LED** sveti enakomerno rdeče; enota je popolnoma pripravljena za obratovanje, vendar se približuje meji zgornje temperature. Utripanje rdeče; enota je preveč vroča za prisilni zagon, vendar so druge funkcije še vedno na voljo.
- 3. Hladna LED** sveti enakomerno modro; enota je popolnoma pripravljena za obratovanje, vendar se približuje spodnji meji temperature. Utripanje modre; enota je preveč hladna za prisilni zagon, vendar druge funkcije so še vedno na voljo.
- 4. Napaka LED** sveti rdeče, če je odkrita napaka.
- 5. Kazalnik napetosti** prikazuje napetost baterijskega sistema, na katerega je trenutno nastavljena enota GB500. 12V sveti belo, kadar je vklopljen način 12V, 24V sveti modro, kadar je vklopljen način 24V.
- 6. Vklpite gumb za napajanje** za "vklop" in "izklop" enote.
- 7. LED lučka za napajanje** sveti belo, kadar je enota "vklopljena".
- 8. Voltmeter** Vgrajen voltmeter odčita napetost baterije vozila za razširitev diagnostičnih funkcij in sporočanje napak. Voltmeter bo samodejno odčital napetost katerekoli baterije (ali baterijskega sistema), kadar so baterijske sponke povezane - tudi, če je enota izklopljena. Voltmeter bo prebral napetost med ~3V to ~30V. Če je povezana baterija pod 3V, potem se ne prikaže nič. V tej primeru je najverjetneje prišlo do obremenitve baterije, kot so npr. vklopljene luči ali ventilator klimatske naprave, katere je treba predhodno izklopiti pred ponovnim zagonom vozila.
- 9. LED za pospeševanje** sveti belo, kadar je aktivirano pospešeno delovanje. Če je enota ustrezno priklopljena na baterijo bo enota GB500 samodejno odkrila baterijo in prešla v način pospešenega delovanja (bela LED utripa, kadar je aktivirano ročno stikalo).
- 10. LED lučka ročnega** stikala sveti neprekinjeno rdeče, kadar je aktivirano ročno stikalo.
- 11. Tipka za ročno stikalo** Za vklop pritisnite in držite tri (3) sekunde. **OPOZORILO: onemogoči varnostno zaščito in ročno prisili "vklop" pospešenega delovanja. Samo za uporabo, kadar je baterija preveč prazna, da bi jo zaznali.**
- 12. Gumb za izbiro napetosti** vklopite med načinom 12V in 24V.
- 13. Tipka za lahko delovanje** preklopi delovno svetlobo skozi 7 načinov osvetlitve: 100% > 50% > 10% > SOS > utripanje > snop > izklop.
- 14. USB Out LED** sveti belo; uporabite lahko funkcijo USB Out v obeh načinih, 12 V in 24V.
- 15. 12V Out LED** sveti belo; 12V Out funkcija se lahko uporablja samo v načinu 12V.
- 16. 12V In LED** sveti belo; 12V In funkcija se lahko uporablja samo v načinu 12V.
- 17. Način osvetlitve LED** sveti belo, kadar je delovna svetloba "vklopljena", vendar pa je enota izklopljena.

Odpravljanje težav

Napaka	Razlog / Rešitev
 LED za napake: neprekinjena rdeča	Odkrita obratna polarnost. / Obratne baterijske povezave.
LED za napake: enojno (1) utripanje	Odkrit kratek stik na baterijskih sponkah. / odstranite vse obremenitve, ponovno povežite sponke baterije.
LED za napake: dvojno (2) utripanje	Obdobje prisilnega zagona je večje od deset (10) minut. / Enoto "izklopite", nato ponovno "vklopite".
LED za napake: trojno (3) utripanje	Interna napaka glavnega stikala. / Zagotovite, da je gumb za nastavljanje napetosti pravilno nameščen na položaj 12V ali 24V.
LED za napake: štirikratno (4) utripanje	Med polnjenjem je bila odkrita slaba baterijska celica. / Enoto izklopite, obrnite se na podporo podjetja NOCO.
LED za napake: petkratno (5) utripanje	XGC OUT napaka prekomerne napetosti. / Odstranite obremenitev z XGC OUT, nato "izklopite" napajanje in ponovno "vklopite".
 Svetleča LED: v redu	Enota je v popolni meri pripravljena za obratovanje, vendar se približuje zgornji meji temperature. / Pustite, da se enota ohladi.
Svetleča LED: utripanje	Enota je prevroča za prisilni zagon, vendar pa so druge funkcije še vedno na voljo. / Omogočite enoti, da se ohladi.
Svetleča LED: utripa, nato se vse LED sijalke izklopijo	Enota je preveč vroča za prisilni zagon ali druge funkcije. / Pustite, da se enota ohladi in jo odnesite v hladnejše okolje.
 Hladna LED: v redu	Enota je popolnoma pripravljena za obratovanje, vendar se približuje spodnji meji temperature. / Pustite, da se enota segreje.
Hladna LED: utripanje	Enota je preveč hladna za prisilni zagon, vendar pa so druge funkcije še vedno na voljo. / Pustite, da se enota segreje.
Hladna LED: utripa, nato se vse LED sijalke izklopijo	Enota je preveč hladna za prisilni zagon ali druge funkcije. / Pustite, da se enota segreje in jo odnesite v toplejše okolje.
Tehnična opomba	Litij-ionske baterije se ob uporabi same segrevajo. Če zasveti lučka za hladno napako LED, potem izvedite večkratni prisilni zagon, da baterijo segrejete in odpravite napako. Običajno zadostujejo 3 do 4 prisilni zagoni za zadostno gretje baterije in odpravo napake.

Tehnične specifikacije

Notranja baterija:	Litijeva ionska baterija (Vatov na uro 266)
Najvišji dovoljen tok:	20,000A
džulov3S:	80,000+
Obratovalna temperatura:	-30°C do +50°C (-22°F do +122°F)
Temperatura pri polnjenju:	0°C do +40°C (32°F do +104°F)
Temperatura pri shranjevanju:	-20°C do +50°C (-4°F do +122°F) (povp. temp.)
USB (izhod):	Dual 5V, 2,1A
12V (vhod):	12V, 5A
12V (izhod):	12V, 15A
Zaščita ohišja:	IP65 (w/zaprti vhodi)
Hlajenje:	Naravna konvekcija
Dimenzije (D x Š x V):	12,25 x 8,25 x 2,25 inčev (311,15 x 209,55 x 57,15 mm)
Teža:	19 funtov

Garancija

Enoletna (1) omejena garancija podjetja Genius One podjetja NOCO.

Podjetje NOCO (»NOCO«) jamči, da je ta izdelek (»izdelek«) brez napak v materialu in izdelavi v obdobju enega (1) leta od datuma nakupa (»garancijsko obdobje«). Za okvare v času garancijskega obdobja bo podjetje NOCO okvarjen izdelek popravilo ali nadomestilo po svoji lastni presoji in na podlagi analize tehnične podpore podjetja NOCO. Zamenjani deli in izdelki bodo novi ali uporabljeni, njihovo delovanje in učinek pa bosta primerljiva z originalnim delom in zanje bo veljalo garancijsko obdobje za preostanek originalnega garancijskega obdobja.

ODGOVORNOST PODJETJA NOCO JE IZRECNO OMEJENA NA ZAMENJAVO ALI POPRAVILO. PODJETJE NOCO NE ODGOVARJA NOBENEMU KUPCU IZDELKA ALI TRETJI OSEBI ZA KAKRŠNOKOLI SPECIALNO, NEPOSREDNO, POSLEDIČNO ALI ODVRAČILNO ŠKODO DO NAJVEČJE Z ZAKONOM DOVOLJENE MERE, VKLJUČNO Z, VENDAR NE OMEJENO NA, IZGUBO DOBIČKA, MATERIALNO ŠKODO ALI OSEBNE POŠKODBE, NA KAKRŠENKOLI NAČIN POVEZANE Z IZDELKOM, NE GLEDE NA TO KAKO JE POVZROČENA, ČEPRAV JE PODJETJE NOCO BILO SEZNANJENO Z MOŽNOSTJO NASTANKA TAKŠNE ŠKODE. TUKAJ ZAGOTOVLJENA JAMSTVA NADOMEŠČAJO VSA DRUGA JAMSTVA, IZRECNA, NAMIGOVANA, STATUTORNA ALI KAKO DRUGAČE, VKLJUČNO, VENDAR NE OMEJENO NA, NAMIGOVANA JAMSTVA ZA SPOSOBNOST PRODAJE IN SPOSOBNOST ZA DOLOČEN NAMEN, IN TISTA, KI IZHAJAJO IZ SAMEGA POSLA, UPORABE ALI PRODAJE. V PRIMERU, DA KATERIKOLI OD VELJAVNIH ZAKONOV IZREKA GARANCIJE, POGOJE ALI DOLŽNOSTI, KI JIH NI MOGOČE IZKLUČITI ALI SPREMENITI, OSTANE TA ODSTAVEK VELJAVEN V NAJVEČJI MOŽNI MERI, KI JO ZAKON DOVOLJUJE.

Omejena garancija je namenjena izključno prvotnemu kupcu Izdelka pri podjetju NOCO ali od trgovca ali distributerja, pooblaščenega pri podjetju NOCO in ni dodeljiva ali prenosna. Za uveljavljanje garancijskega zahtevka mora kupec: (1) zahtevati in pridobiti številko dovoljenja za prodajo ("RMA") vrnjenega izdelka in informacijo o lokaciji za vračilo ("lokacija vračila") oddelka za podporo pri podjetju NOCO, in sicer na elektronskem naslovu support@no.co ali s klicem na telefonsko številko 1.800.456.6626; in (2) poslati izdelek, vključno s številko RMA, računom ali pristojbino za garancijo (pristojbina za garancijo se zahteva samo, če račun ni na voljo) v višini 45% maloprodajne cene okvarjenega izdelka ("pristojbina za garancijo") [RMA vključuje veljaven znesek garancije] na naslov za vračilo. NE POŠILJAJTE IZDELKA BREZ, DA BI PREDHODNO PRIDOBILI RMA OD ODDELKA ZA PODPORO PRI PODJETJU NOCO.

PRVOTNI KUPEC ODGOVARJA (IN MORA V NAPREJ PLAČATI) VSE STROŠKE EMBALAŽE IN PREVOZA ZA POŠILJANJE IZDELKOV V GARANCIJSKE NAMENE.

NE GLEDE NA ZGORAJ NAVEDENO, OMEJENA GARANCIJA NI VELJAVNA IN SE NE UPORABLJA ZA IZDELKE, KI: (a) jih zlorabljate, s katerimi napačno ravnate, so predmet zlorabe ali nepazljivega ravnanja, nezgode, nepravilne hrambe, ali zaradi delovanja v pogojih izrednega napajanja, temperature, šoka, ali vibracije, izven priporočil podjetja NOCO za varno in učinkovito uporabo; (b) so nepravilno inštalirani, nepravilno delujejo ali so nepravilno vzdrževani; (c) so/so bili predelani brez izrecnega soglasja podjetja NOCO; (d) jih je nekdo, ki ni podjetje NOCO, demontiral, spremenil ali popravil; (e) okvarjeni in so okvare bile sporočene po poteku garancijskega obdobja.

TA OMEJENA GARANCIJA NE VKLJUČUJE: (1) običajne rabe in obrabe; (2) kozmetične škode, ki ne vpliva na funkcionalnost; ali (3) izdelke, na katerih ni serijske številke podjetja NOCO ali pa je ta spremenjena ali uničena.

Vaš izdelek NOCO lahko registrirate na spletu na naslov: no.co/register. Za vsa vprašanja v zvezi z vašo garancijo ali izdelkom se prosimo obrnite na oddelek za podporo podjetja NOCO (e-pošta in telefonska številka navedena zgoraj) ali pišite na: NOCO Company, na naslovu 30339 Diamond Parkway, #102, Glenwillow, OH 44139 ZDA.

NOCO genius[®] BOOSTMAX[™]

GB500



PERICOL

Ghid de utilizare și garanție



CITIȚI ȘI ASIGURAȚI-VĂ CĂ AȚI ÎNȚELES TOATE INFORMAȚIILE REFERITOARE LA SIGURANȚĂ ÎNAINTE DE A UTILIZA ACEST PRODUS. Nerespectarea acestor instrucțiuni de siguranță se poate solda cu **ELECTROCUTARE, EXPLOZIE, INCENDIU, care pot provoca RĂNIRI GRAVE, DECES sau PAGUBE MATERIALE.**



Electrocutare. Produsul este un dispozitiv electric care poate produce șoc electric și cauza răniri grave. Nu tăiați cablurile electrice. Nu cufundați în apă și nu expuneți la umezeală.



Explozie. Bateriile nesupravegheate, incompatibile sau deteriorate pot exploda dacă sunt utilizate cu produsul. Nu lăsați produsul nesupravegheat în timpul utilizării. Nu încercați să porniți forțat o baterie defectă sau înghețată. Folosiți produsul doar cu baterii a căror tensiune este cea recomandată. Utilizați produsul în spații bine ventilate.



Incendiu. Produsul este un dispozitiv electric care emite căldură și poate produce arsuri. Nu acoperiți produsul. Nu fumați și nu folosiți surse de scântei electrice sau foc atunci când folosiți produsul. Țineți produsul la distanță de materialele combustibile.



Leziuni oculare. Protejați-vă ochii când folosiți produsul. Bateriile pot să explodeze, aruncând în aer rămășițe rezultate în urma exploziei. Acidul din baterie poate provoca iritarea ochilor și a pielii. În cazul contaminării ochilor sau a pielii, clătiți zona afectată cu apă curată și adresați-vă imediat serviciului pentru controlul substanțelor otrăvitoare.



Gaze explozive. Lucrul în apropierea unei baterii plumb-acid este periculos. Bateriile produc gaze explozive în timpul funcționării normale. Pentru a reduce riscul ca bateria să explodeze, urmați toate instrucțiunile de siguranță, precum și pe cele furnizate de producătorul bateriei și de producătorul oricărui echipament care urmează să fie folosit în apropierea bateriei. Parcurgeți și rețineți toate măsurile de precauție inscripționate pe aceste produse și pe motor.

Română

RO

Pentru informații suplimentare și asistență, accesați:

www.no.co/support

Atenționări importante privind siguranța

Enunțul 65. Bornele bateriei, clemele și accesoriile aferente conțin substanțe chimice, inclusiv plumb. Aceste materiale sunt cunoscute în Statul California ca substanțe care produc cancer, malformații, precum și alte daune ale organelor reproductive. **Măsurile personale de precauție.** Utilizați produsul doar în conformitate cu utilizarea preconizată. Este necesară prezența unei persoane suficient de aproape pentru a vă auzi și a veni în ajutorul dumneavoastră în caz de urgență. Păstrați în apropiere o rezervă de apă curată și săpun pentru cazul în care vă contaminați cu acid din baterie. Utilizați ochelari de protecție și purtați îmbrăcăminte de protecție când lucrați în apropierea unei baterii. Spălați-vă întotdeauna pe mâini după ce ați manipulat baterii sau materiale aferente acestora. Nu manipulați și nu purtați obiecte din metal, inclusiv unelte, ceasuri sau bijuterii, atunci când lucrați cu baterii. Un obiect metalic căzut pe baterie poate produce scântei sau crea un scurt circuit care se poate solda cu electrocutare, incendiu sau explozie, producând rănire, deces sau pagube materiale. **Minori.** În cazul în care „Cumpărătorul” intenționează ca produsul să fie folosit de un minor, acesta se declară de acord să furnizeze minorului, înainte de utilizare, instrucțiuni detaliate și atenționări. Responsabilitatea pentru nerespectarea acestei condiții revine exclusiv „Cumpărătorului”, care se declară de acord să despăgubească NOCO pentru orice utilizare neintenționată sau greșită a produsului de către un minor. **Pericol de asfixiere.** Accesoriile pot prezenta pericol de asfixiere pentru copii. Nu lăsați copiii nesupravegheați în preajma produsului sau a accesoriilor acestuia. Acest produs nu este o jucărie. **Manipulare.** Manipulați cu grijă produsul. Produsul se poate deteriora în urma unui impact. Nu folosiți produse deteriorate, inclusiv dar fără a se limita la produse cu carcasa crăpată sau cabluri deteriorate. Nu folosiți un produs al cărui cablu de alimentare este deteriorat. Nu manipulați produsul sau orice componentă electrică în apropierea lichidelor. Depozitați și puneți în funcțiune produsul în locuri uscate. Nu puneți în funcțiune produsul dacă acesta este umed. Dacă produsul este deja în stare de funcționare și se umezește, deconectați-l de la baterie și opriți imediat utilizarea. Nu deconectați produsul trăgând de cabluri. **Modificări.** Nu încercați să schimbați, să modificați sau să reparați piesele produsului. Dezasamblarea produsului poate cauza rănire, deces, sau pagube materiale. Dacă produsul se defectează, nu funcționează corespunzător sau intră în contact cu un lichid, întrerupeți folosirea și contactați NOCO. Orice modificare adusă produsului anulează garanția. **Accesorii.** Acest produs este aprobat pentru utilizare doar cu accesoriile NOCO. NOCO nu își asumă nicio responsabilitate pentru siguranța utilizatorului sau pagubele suferite de acesta în cazul utilizării unor accesorii care nu sunt autorizate de NOCO. **Amplasare.** Asigurați-vă că acidul din baterie nu intră în contact cu produsul. Nu puneți în funcțiune produsul într-un loc închis sau într-o zonă insuficient ventilată. Nu așezați bateria pe produs. Așezați cablurile în așa fel încât să evitați deteriorarea accidentală a acestora din cauza componentelor mobile ale vehiculului (inclusiv capota și portierele), ale motorului (inclusiv paletele ventilatorului, curele și roțile de transmisie), sau eventuale situații periculoase care se pot solda cu vătămări sau deces. **Temperatura de funcționare.** Acest produs este proiectat să funcționeze în medii cu temperaturi între -30 °C și 50 °C. Nu îl utilizați la temperaturi care nu se încadrează în limitele indicate. Nu porniți forțat o baterie înghețată. Opriți utilizarea produsului imediat dacă bateria se încălzește excesiv. **Depozitare.** Nu utilizați și nu depozitați produsul în zone cu concentrații mari de praf sau atmosferă încărcată cu materiale în suspensie. Depozitați produsul pe o suprafață plană, sigură, astfel încât să nu fie expus riscului de a cădea. Depozitați produsul într-un loc uscat. Temperatura de depozitare este de -20 °C și 25 °C (temperatura medie). Temperatura nu trebuie în niciun caz să depășească 80°C. **Compatibilitate.** Acest produs este compatibil doar cu baterii plumb-acid de 12 și 24 de volți. Nu încercați să folosiți produsul cu un alt tip de baterie. Pornirea forțată a bateriilor cu alt conținut chimic se poate solda cu vătămare corporală, deces, sau pagube materiale. Contactați producătorul bateriei înainte de a încerca să porniți forțat bateria. Nu porniți forțat o baterie dacă nu sunteți siguri în privința conținutului chimic sau al tensiunii respectivei baterii. **Bateria.** Bateria litiu-ion încorporată în produs trebuie înlocuită doar de NOCO și trebuie reciclată sau aruncată la gunoi separat de deșeurile menajere. Nu încercați să înlocuiți bateria singuri și nu manipulați o baterie deteriorată sau care prezintă scurgeri de litiu-ion. Nu aruncați bateria la gunoiul menajer. Aruncarea bateriilor la

gunoiul menajer contravine legislației și reglementărilor de mediu statale și federale. Duceți întotdeauna bateriile uzate la centrul local pentru reciclarea bateriilor. Dacă bateria produsului se încălzește excesiv, emite un miros, este deformată, tăiată, prezintă un aspect anormal sau se comportă anormal, opriți imediat utilizarea și contactați NOCO. **Încărcarea bateriei.** Încărcați produsul cu ajutorul adaptorului de curent continuu de 12 V inclus în pachet sau folosind un adaptor XGC de 56 W. Procedeți cu precauție în cazul utilizării unor adaptoare de curent de slabă calitate întrucât acestea pot prezenta un risc electric major, care se poate solda cu vătămări corporale, deteriorări ale produsului și pagube materiale. Folosirea unor cabluri sau a unor încărcătoare defecte, sau încărcarea în condiții de umezeală prezintă risc de electrocutare. NOCO nu își asumă răspunderea pentru siguranța utilizatorului dacă acesta utilizează accesorii sau materiale auxiliare care nu sunt autorizate de NOCO. Adaptoarele de curent se pot încălzi în timpul utilizării normale, contactul prelungit cu pielea putând produce vătămări corporale. Asigurați în permanență o ventilație adecvată a spațiului din jurul adaptoarelor de curent în timpul utilizării. Pentru a asigura o durată maximă de viață a bateriei, evitați să încălcați produsul mai des de o dată pe săptămână, întrucât supraîncărcarea poate scurta viața bateriei. În timp, produsele neutilizate se descarcă și trebuie reîncărcate înainte de utilizare. Deconectați produsul de la sursa de curent atunci când nu îl utilizați. Utilizați produsul doar în conformitate cu utilizările preconizate. **Dispozitive medicale.** Produsul poate emite câmpuri electromagnetice. Produsul conține componente magnetice care pot să interfereze cu stimulatoarele cardiace, defibrilatoarele, sau alte dispozitive medicale. Aceste câmpuri electromagnetice pot să interfereze cu stimulatoarele cardiace sau alte dispozitive medicale. Consultați doctorul înainte de a utiliza, în cazul în care folosiți dispozitive medicale, inclusiv stimulatoare cardiace. Dacă bănuiți că produsul interferează cu un dispozitiv medical, opriți imediat utilizarea produsului și consultați-vă medicul. **Afecțiuni medicale.** Dacă suferiți de vreo afecțiune medicală care considerați că ar putea fi afectată de produs, inclusiv dar nu numai atacuri, pierderea memoriei, oboseala ochilor sau dureri de cap, consultați medicul înainte de a utiliza produsul. Folosirea lanternei încorporate de mare putere prezintă risc pentru cei care suferă de fotosensibilitate. Utilizarea lanternei în modul stroboscopic poate cauza declanșarea unor crize în cazul persoanelor care suferă de epilepsie fotosensibilă, ceea ce se poate solda cu vătămări grave sau deces. **Lumina.** Nu priviți direct în lumina emisă de lanternă deoarece acest lucru v-ar putea afecta permanent vederea. Produsul este prevăzut cu o lanternă cu LED prefocalizată de mare putere, care emite un fascicul puternic când este setată la valoarea maximă. **Curățarea.** Deconectați produsul de la sursa de curent înainte de a începe o operațiune de întreținere sau curățare. Curățați și uscați produsul imediat în cazul în care intră în contact cu lichide sau orice tip de substanță contaminantă. Folosiți o cârpă moale, fără scame (din microfibră). Evitați pătrunderea umezelii în porțiunile cu deschideri. **Mediu exploziv.** Respectați toate semnele și instrucțiunile. Nu puneți în funcțiune produsul în zone cu mediu potențial exploziv, inclusiv zonele de alimentare cu combustibil sau cele care conțin substanțe chimice sau particule cum ar fi granule, praf, sau pulberi metalice. **Activități care implică consecințe serioase.** Acest produs nu trebuie utilizat în situațiile în care o defecțiune a sa ar putea conduce la vătămări, deces, sau ar putea avea efecte grave asupra mediului. **Interferențe cu frecvențele radio.** Produsul este proiectat, testat și realizat pentru a respecta reglementările privind emisiile de frecvențe radio. Astfel de emisii provenind de la produs pot afecta negativ funcționarea altor echipamente electronice, cauzând defectarea acestora. **Număr model: GB500.** Acest dispozitiv este conform cu prevederile Părții 15 din Regulamentul FCC. Funcționarea trebuie să respecte următoarele condiții: (1) acest dispozitiv nu trebuie să producă interferențe dăunătoare, și (2) acest dispozitiv trebuie să accepte orice interferență primită, inclusiv interferențe care pot cauza o funcționare nedorită. NOTĂ: Testele efectuate au demonstrat că acest echipament este conform limitelor impuse dispozitivelor digitale din Clasa A, conform Părții 15 din Regulamentul FCC. Aceste limite sunt stabilite pentru a asigura un grad rezonabil de protecție împotriva interferențelor dăunătoare în timpul funcționării echipamentului în regim comercial. Acest echipament generează, utilizează și poate emite unde radio dacă nu este instalat și folosit conform manualului de utilizare, putând produce interferențe dăunătoare comunicațiilor radio. Utilizarea acestui echipament în zone rezidențiale riscă să producă interferențe dăunătoare, caz în care utilizatorul va trebui să remedieze aceste interferențe pe cheltuiala proprie.

Modul de utilizare

Pasul 1: Încărcați dispozitivul GB500.

GB500 este livrat parțial încărcat și trebuie încărcat complet înainte de utilizare. Conectați dispozitivul GB500 cu ajutorul adaptorului de 12 V inclus sau folosind un adaptor XGC de 56 W, la portul 12V IN. Pentru a realiza încărcarea, dispozitivul GB500 trebuie să fie setat în modul 12 V. Înainte de încărcare, asigurați-vă că selectorul de tensiune este setat în poziția 12V. Portul 12V IN de pe XGC are o tensiune nominală de 12 V și o intensitate nominală de 5 A pentru a asigura o încărcare sigură și eficientă a bateriei interne pe litiu. Având în vedere reglementările FCC, recomandăm ca încărcarea și descărcarea dispozitivului să nu se facă simultan. Timpul necesar reîncărcării unui dispozitiv GB500 diferă în funcție de nivelul de descărcare și de sursa de alimentare cu curent folosită. Rezultatele efective pot diferi în funcție de starea bateriei.

Timpul de reîncărcare: 6-8 h

Folosind cablul de alimentare cu curent continuu de 12 V sau adaptorul de curent alternativ pentru reîncărcarea unei unități descărcate complet. Timpul de reîncărcare variază în funcție de nivelul de încărcare al bateriei.

25% 50% 75% 100%



Când reîncărcați, nivelul de încărcare al bateriei interne este indicat de LED-urile de încărcare. LED-urile se vor aprinde încet intermitent, apoi vor rămâne aprinse pe rând, până când toate LED-urile de încărcare vor fi aprinse. Când bateria este complet încărcată, LED-ul verde pentru 100% va rămâne aprins, iar LED-urile pentru 25%, 50% și 75% se vor stinge. Din când în când, LED-ul pentru 100% va pulsa, indicând faptul că are loc o încărcare de întreținere.

Încărcarea cu curent continuu de 12 V (60 W).

Pentru a realiza încărcarea, dispozitivul GB500 trebuie să fie setat în modul 12V. Înainte de încărcare, asigurați-vă că selectorul de tensiune este setat în poziția 12V. Conectați cablul de 12 V la portul 12V IN de pe dispozitivul GB500, iar celălalt capăt la conectorul tată de 12 V. Conectați la o mufă AUX de 12 V (portul pentru bricheta auto)

Încărcare cu curent alternativ (56 W).

Pentru a realiza încărcarea, dispozitivul GB500 trebuie să fie setat în modul 12 V. Înainte de încărcare, asigurați-vă că selectorul de tensiune este setat în poziția 12 V. Conectați cablul de 12 V al adaptorului XGC la portul 12V IN de pe dispozitivul GB500, iar celălalt capăt al adaptorului de curent de 56 W la sursa de curent alternativ (o priză de perete de 100-240 V c.a.)

Alimentarea dispozitivelor de 12 V.

Conectați cablul de 12 V la portul „12V OUT” de pe GB500, iar celălalt capăt la mufa mamă de 12 V (12V AUX/portul pentru bricheta auto). Conectați la această mufă orice dispozitiv standard de 12 V (cu intensitatea maximă de 15 amperi) cu conector de 12 V și porniți dispozitivul GB500 pentru a începe încărcarea dispozitivului.

Pasul 2: Conectarea la baterie.

Citiți cu atenție și asigurați-vă că ați înțeles instrucțiunile din manualul utilizatorului privitoare la măsurile specifice de precauție și metodele recomandate pentru pornirea forțată a autovehiculului. Stabiliți cu precizie tensiunea și compoziția chimică a bateriei prin consultarea atentă a manualului utilizatorului

Înainte de a folosi acest produs. Dispozitivul GB500 se folosește doar pentru pornirea forțată a bateriilor acid-plumb de 12 și 24 de volți. Înainte de a conecta bateria, verificați tensiunea bateriei. Asigurați-vă că selectorul de tensiune este setat în poziția corectă (12V sau 24V) conform bateriei ce urmează să fie pornite forțat. Nu modificați niciodată voltajul în timp ce unitatea este conectată la un acumulator. Modificați voltajul doar atunci când unitatea este deconectată. Înainte de a conecta bateria, verificați pentru a vă asigura că aveți o baterie plumb-acid de 12 volți. Dispozitivul GB500 nu este potrivit pentru niciun alt tip de baterie. Stabiliți polaritatea corectă a bornelor bateriei. Borna pozitivă a bateriei este marcată cu literele sau simbolul (POS, P, +). Borna negativă a bateriei este marcată cu literele sau simbolul (NEG, N, -). Nu faceți niciun fel de conexiuni la carburator, furtunurile de alimentare cu carburant, sau piesele din tablă subțire. Instrucțiunile de mai jos sunt pentru sistemul de împământare negativă (cel mai frecvent). Dacă autovehiculul dumneavoastră are un sistem de împământare pozitivă (foarte rar), urmați instrucțiunile de mai jos în ordine inversă.

- 1.) Conectați conectorul Boost Max negativ (negru) la portul negativ de pe dispozitivul GB500.
- 2.) Conectați conectorul Boost Max pozitiv (roșu) la portul pozitiv de pe dispozitivul GB500.
- 3.) Curățați mereu bornele înainte de a conecta clemele. NOTĂ: Conexiunile defecte sau bornele necurățate pot provoca fum. Bateriile cu un voltaj foarte scăzut pot de asemenea provoca fum.
- 4.) Conectați conectorul Boost Max pozitiv (roșu) la borna pozitivă a bateriei (POS,P,+).
- 5.) Conectați conectorul Boost Max negativ (negru) la borna negativă a bateriei (NEG,N,-) sau la șasiul autovehiculului. (E posibil ca împământarea șasiului să nu fie potrivită pentru pornirea aplicațiilor mari.)
- 6.) Când deconectați, procedați în ordine inversă, deconectând mai întâi borna negativă (sau pe cea pozitivă mai întâi, în cazul sistemelor cu împământare pozitivă).

Pasul 3: **Pornirea forțată.**

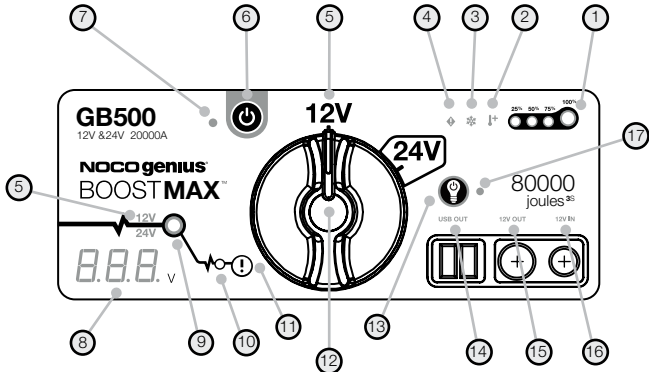
- 1.) Asigurați-vă că toți consumatorii autovehiculului (faruri, radio, aer condiționat etc.) sunt oprți înainte de a porni forțat autovehiculul. Dacă vehiculul este echipat cu un comutator principal (Master Switch), întoarceți-l în poziția „pornit”.
- 2.) Apăsăți butonul de pornire/oprire pentru a începe pornirea forțată. Toate LED-urile vor lumina intermitent, indicând faptul că funcționează corect. Dacă ați realizat o conectare corectă la baterie, LED-ul alb pentru pornire se va aprinde. Dacă clemele bateriei sunt conectate invers, se va aprinde LED-ul roșu indicând o eroare. Inversați conexiunile pentru a elimina eroarea, iar LED-ul alb pentru pornire se va aprinde. LED-ul alb pentru pornire este aprins atunci când GB500 este gata să pornească autovehiculul.
- 3.) Încercați să porniți autovehiculul. Majoritatea autovehiculelor vor porni imediat. În cazul anumitor autovehicule, poate fi necesar ca dispozitivul GB500 să fie conectat timp de până la 30 de secunde înainte ca acestea să pornească. Dacă autovehiculul nu pornește imediat, așteptați 20-30 de secunde și încercați din nou. Încercați să porniți forțat autovehiculul de maximum cinci (5) ori consecutiv într-un interval de cincisprezece (15) minute. Lăsați dispozitivul GB500 în repaus timp de cincisprezece (15) minute înainte de a încerca să porniți din nou forțat autovehiculul.
- 4.) După ce ați pornit autovehiculul, deconectați clemele bateriei și îndepărtați dispozitivul GB500.

Baterii cu tensiune mică și suprascriere manuală a comenzilor.

Dispozitivul GB500 a fost proiectat să pornească forțat baterii plumb-acid de 12 volți, până la 2 volți. Dacă bateria dumneavoastră este sub 2 volți, LED-ul pentru pornire nu se va aprinde. Acest lucru indică faptul că dispozitivul GB500 nu poate detecta bateria. Dacă aveți nevoie să porniți forțat o baterie sub 2 volți, există o modalitate de suprascriere manuală a comenzilor, care vă permite să forțați funcția de pornire forțată.

ATENȚIE!

FOLOSIȚI ACEST MOD DE FUNCȚIONARE CU MAXIMĂ ATENȚIE. ACEST MOD ESTE VALABIL DOAR PENTRU BATERIILE PLUMB-ACID DE 12 SAU 24 DE VOLȚI. ASIGURAȚI-VĂ CĂ SELECTORUL DE TENSIUNE ESTE SETAT ÎN POZIȚIA CORECTĂ (12V SAU 24V) CONFORM BATERIEI CE URMEAZĂ SĂ FIE PORNITE FORȚAT. FIȚI FOARTE ATENȚI LA POLARITATEA BATERIEI ÎNAINTE DE A RECUREGĂ LA ACEST MOD. CLEMA BORNEI POZITIVE ȘI CLEMA BORNEI NEGATIVE NU TREBUIE SĂ SE ATINGĂ ÎNTRE ELE SAU SĂ ÎNTRÉ ÎN CONTACT, DEOARECE PRODUSUL VA PRODUCE SCÂNTEI. ACEST MOD FOLOSEȘTE CURENT DE INTENSITATE FOARTE MARE (PÂNĂ LA 20,000 DE AMPERI) CARE POATE PRODUCE SCÂNTEI ȘI DEGAJA CĂLDURĂ MARE DACĂ NU ESTE UTILIZAT CORESPUNZĂTOR. DACĂ NU SUNTEȚI SIGUR ÎN PRIVINȚA UTILIZĂRII ACESTUI MOD, NU ÎNCERCAȚI SĂ ÎL UTILIZAȚI ȘI SOLICITAȚI ASISTENȚĂ DE SPECIALITATE.



1. Nivelul bateriei interne indică nivelul de încărcare al bateriei interne.

2. LED-ul pentru starea Încins (Hot):Roșu constant: dispozitivul este complet funcțional, însă temperatura se apropie de limita superioară. Roșu intermitent; dispozitivul este prea încins pentru pornirea forțată, însă celelalte funcții sunt în continuare disponibile.

3. LED-ul pentru starea Rece (Cold): Albastru constant: dispozitivul este complet funcțional, însă temperatura se apropie de limita inferioară. Albastru intermitent; dispozitivul este prea rece pentru pornirea forțată, însă celelalte funcții sunt în continuare disponibile.

4. LED-ul de eroare:Roșu, dacă este detectată polaritatea inversă.

5. LED-ul pentru tensiune: Indică tensiunea la care este setat dispozitivul GB500. Indicatorul de 12V luminează alb când este activ modul 12V, iar cel de 24V luminează albastru când este activ modul 24V.

6. Buton de pornire/oprire a dispozitivului.

7. LED-ul de pornire/oprire: Alb când dispozitivul este pornit.

8. Voltmetrul încorporat afișează tensiunea bateriei autovehiculului pentru o diagnosticare și detectare superioară a problemelor. Voltmetrul va afișa automat tensiunea oricărei baterii (sau sistem de baterii) în momentul în care sunt conectate clemele bateriei, chiar dacă dispozitivul este oprit. Voltmetrul va afișa valori de tensiune între ~3V și ~30V. Dacă bateria conectată are sub 3 V, nu se va afișa nimic. Dacă tensiunea este atât de mică, este posibil să existe un consumator, cum ar fi farurile și/sau ventilatorul sistemului de aer condiționat, care trebuie oprite înainte de a se încerca pornirea autovehiculului.

9. LED-ul pentru pornire (Boost): Alb când sistemul de pornire (Boost) este activ. Dacă dispozitivul este conectat corect la baterie, GB500 va detecta automat bateria și va intra în modul de pornire (LED-ul alb luminează intermitent când este activă funcția de suprascriere manuală a comenzilor).

10. LED-ul de suprascriere manuală a comenzilor: Roșu constant când este activat modul de suprascriere manuală a comenzilor.

11. Buton de activare a modului de suprascriere manuală a comenzilor: Pentru activare, apăsați și mențineți apăsat timp de trei (3) secunde. ATENȚIE: Dezactivează protecția de siguranță și forțează manual activarea sistemului de pornire (Boost). Folosiți acest mod de funcționare doar când nivelul de încărcare al bateriei este prea redus pentru a putea fi detectată.

12. Selector de tensiune: Răsuciți pentru a comuta între modul de 12 V și cel de 24 V.

13. Buton pentru modul de iluminare: Alternează lumina de lucru între 7 moduri de iluminare: 100% > 50% > 10% > SOS > Clipire > Stroboscopic > Oprit.




14. LED-ul pentru ieșire USB: Alb; funcția de ieșire USB (USB Out) poate fi folosită atât în modul de 12 V, cât și în cel de 24 V.

15. LED-ul pentru ieșire 12 V: Alb; funcția de ieșire 12 V (12V Out) poate fi folosită numai în modul de 12 V.

16. LED-ul pentru intrare 12 V: Alb; funcția de intrare 12 V (12V In) poate fi folosită numai în modul de 12 V.

17. LED-ul pentru modul de iluminare: Alb, atunci când lumina de lucru este pornită, însă dispozitivul este oprit.

Detectarea și remedierea defecțiunilor

Eroare	Motivul/Soluția
 LED de eroare:Roșu constant LED de eroare:O singură (1) clipire LED de eroare:Două (2) clipiri LED-ul de eroare:Trei (3) clipiri LED-ul de eroare: Patru (4) clipiri LED-ul de eroare: Cinci (5) clipiri	Polaritate inversată detectată./ Inversați conexiunile bateriei. S-a detectat un scurt-circuit la clemele bateriei. / Îndepărtați toate sarcinile și reconectați clemele la baterie. Durata de pornire forțată este mai mare de zece (10) minute. / Opriți dispozitivul și apoi reporniți-l. Eroare la nivelul întrerupătorului principal. / Asigurați-vă că selectorul de tensiune este poziționat corect în poziția 12 V sau 24 V. S-a detectat o celulă de baterie defectă în timpul încărcării. / Opriți dispozitivul și contactați echipa de asistență NOCO. Eroare de supratensiune pe portul de ieșire al adaptorului XGC. / Îndepărtați sarcina de pe portul de ieșire al adaptorului XGC, opriți dispozitivul și apoi reporniți-l.
 LED-ul pentru starea încins (Hot): Aprins constant LED-ul pentru starea încins (Hot): Intermitent LED-ul pentru starea încins (Hot): Intermitent, după care toate LED-urile se sting	Dispozitivul este complet funcțional, însă temperatura se apropie de limita superioară. / Lăsați dispozitivul să se răcească. Dispozitivul este prea încins pentru pornirea forțată, însă celelalte funcții sunt în continuare disponibile. / Lăsați dispozitivul să se răcească. Dispozitivul este prea încins pentru pornirea forțată sau pentru utilizarea celorlalte funcții. / Lăsați dispozitivul să se răcească și mutați-l într-un mediu mai rece.
 LED-ul pentru starea rece (Cold): Aprins constant LED-ul pentru starea rece (Cold): Intermitent LED-ul pentru starea rece (Cold): Intermitent, după care toate LED-urile se sting	Dispozitivul este complet funcțional, însă temperatura se apropie de limita inferioară. / Lăsați dispozitivul să se încălzească. Dispozitivul este prea rece pentru pornirea forțată, însă celelalte funcții sunt în continuare disponibile. / Lăsați dispozitivul să se încălzească. Dispozitivul este prea rece pentru pornirea forțată sau pentru utilizarea celorlalte funcții. / Lăsați dispozitivul să se încălzească și mutați-l într-un mediu mai cald.
Notă tehnică	Bateriile cu litiu-ion se pot auto-încălzi în timpul utilizării. Dacă se aprinde LED-ul pentru starea rece (Cold), încercați să efectuați pornirea forțată de mai multe ori pentru a încălzi bateria și pentru a elimina eroarea. De regulă, 3-4 încercări de pornire forțată sunt suficiente pentru încălzirea bateriei și îndepărtarea erorii.

Specificații tehnice

Bateria internă:	Litiu ion (Wați-oră 266)
Curent nominal de vârf:	20,000A
jouli 3S:	80,000+
Temperatură de funcționare:	între -30°C și +50°C (-22°F to +122°F)
Temperatură de încărcare:	între 0°C și +40°C (32°F to +104°F)
Temperatură de depozitare:	între -20°C și +50°C (temp. medie)
USB (Ieșire):	Dual 5V, 2,1A
12V (Input):	12V, 5A
12V (Output):	12V, 15A
Protecție carcasă:	IP65 (cu porturi închise)
Răcire:	Convecție naturală
Dimensiuni (L x l x Î):	12,25 x 8,25 x 2,25 Inch (311,15 x 209,55 x 57,15 mm)
Greutate:	8,6 kg

Garanție

NOCO Genius Garanție limitată timp de un (1) an.

Compania NOCO („NOCO”) garantează că acest produs („Produsul”) nu va prezenta defecte ale materialelor sau de fabricație timp de un an (1) de la data achiziționării („Perioada de garanție”). Pentru defectele semnalate în Perioada de garanție, NOCO, după cum va considera de cuviință și în urma analizei tehnice efectuate de NOCO, va remedia sau va înlocui Produsele defecte. Piesele și produsele înlocuitoare vor fi noi sau de calitate corespunzătoare, comparabile din punct de vedere al funcționării și performanței cu piesele originale și garantate pentru perioada de timp rămasă din Perioada de garanție inițială.


RĂSPUNDEREA CARE REVINE NOCO PRIN PREZENTUL DOCUMENT ESTE ÎN MOD EXPRES LIMITATĂ LA ÎNLOCUIRE SAU REPARAȚII. ÎN MĂSURA MAXIMĂ PERMISĂ DE LEGE, NOCO NU RĂSPUNDE ÎN FAȚA NICIUNUI CUMPĂRĂTOR AL PRODUSULUI SAU A UNEI TERȚE PĂRȚI PENTRU DAUNELE SPECIALE, INDIRECTE, CONSECVENTE SAU EXEMPLARE, INCLUSIV DAR FĂRĂ A SE LIMITA LA PIERDERILE DE PROFIT, DAUNELE MATERIALE SAU VĂTĂMĂRILE CORPORALE LEGATE INDIFERENT ÎN CE MOD DE PRODUS, CAUZATE INDIFERENT ÎN CE MOD, CHIAR DACĂ NOCO A AVUT CUNOȘTINȚĂ DESPRE POSIBILITATEA PRODUCERII UNOR ASTFEL DE DAUNE. GARANȚIILE STABILITE PRIN PREZENTUL DOCUMENT ÎNLOCUIESC TOATE CELELALTE GARANȚII EXPRESE, IMPLICITE, LEGALE SAU DE ALT FEL, INCLUSIV DAR FĂRĂ A SE LIMITA LA GARANȚIILE IMPLICITE PRIVIND VANDABILITATEA ȘI ADECVAREA PENTRU UN ANUMIT SCOP, PRECUM ȘI CELE NĂSCUTE ÎN CURSUL TRANZACȚIONĂRII, UTILIZĂRII SAU PRACTICII COMERCIALE. ÎN CAZUL ÎN CARE UNELE PREVEDERI LEGALE ÎN DOMENIU IMPUN GARANȚII, CONDIȚII SAU OBLIGAȚII CARE NU POT FI EXCLUSE SAU MODIFICATE, PREZENTUL PARAGRAF SE APLICĂ ÎN MĂSURA MAXIMĂ LEGAL POSIBILĂ CONFORM ACESTOR LEGI. Această Garanție limitată este exclusiv în beneficiul cumpărătorului inițial care a achiziționat Produsul de la NOCO sau de la un comerciant sau distribuitor autorizat NOCO, nefiind nici atribuibilă, nici transferabilă. Pentru exprimarea unei solicitări de garanție, cumpărătorul trebuie: (1) să solicite și să obțină un număr de autorizație pentru returnarea mărfii („RMA”) și informații privind locul de returnare („Locul de returnare”) de la serviciul de asistență clienți NOCO, printr-un e-mail la adresa support@no.co sau printr-un apel telefonic la numărul 1.800.456.6626; și (2) să trimită Produsul, inclusiv numărul RMA, chitanța sau comisionul de garanție (comisionul este necesar doar dacă nu se prezintă chitanța) de 45% din valoarea MSRP (prețul cu amănuntul recomandat de producător) a Produsului defect („Comisionul de garanție”) [RMA va include suma aferentă Comisionului de garanție] la Locul de returnare. NU TRIMITEȚI PRODUSE FĂRĂ A OBTINE MAI ÎNTÂI NUMĂRUL RMA DE LA SERVICIUL NOCO DE ASISTENȚĂ CLIENȚI.

TOATE COSTURILE DE AMBALARE ȘI TRANSPORT AL PRODUSELOR ÎN SCOPUL EFECTURĂRII SERVICE-ULUI DE GARANȚIE CAD ÎN SARCINA CUMPĂRĂTORULUI INIȚIAL (ȘI TREBUIE ACHITATE ANTICIPAT).

FĂRĂ A ADUCE ATINGERE CELOR DE MAI SUS, ACEASTĂ GARANȚIE LIMITATĂ ESTE NULĂ ȘI NEAPLICABILĂ PRODUSELOR CARE: (a) sunt greșit utilizate, impropriu manipulate, folosite abuziv sau la tensiuni, temperaturi, șocuri sau vibrații extreme care depășesc recomandările NOCO privind utilizarea sigură și eficientă; (b) instalate, operate sau întreținute necorespunzător; (c) sunt/au fost modificate fără consimțământul expres în scris al NOCO; (d) au fost dezasamblate, modificate sau reparate de altcineva decât de NOCO; (e) defectele lor au fost semnalate după încheierea Perioadei de garanție.

ACEASTĂ GARANȚIE LIMITATĂ NU ACOPERĂ: (1) uzura normală; (2) defectele estetice care nu afectează funcționarea; sau (3) Produsele de pe care seria NOCO lipsește, este modificată sau deteriorată. Vă puteți înregistra produsul NOCO online la: no.co/register. Dacă aveți întrebări referitoare la garanție sau produs, contactați serviciul de asistență clienți NOCO (la adresa de e-mail sau numărul de telefon indicate mai sus) sau scrieți la: The NOCO Company, 30339 Diamond Parkway, #102, Glenwillow, OH 44139 USA.

NOCO genius[®] BOOSTMAX[™] GB500

 **ОПАСНОСТ** Ръководство за потребителя и Гаранция



ПРОЧЕТЕТЕ И ОСМИЛЕТЕ ЦЯЛАТА ИНФОРМАЦИЯ ОТНОСНО БЕЗОПАСНОСТТА, ПРЕДИ ДА ИЗПОЛЗВАТЕ ТОВА ИЗДЕЛИЕ. Неспазването на настоящите указания за безопасност може да доведе до **ТОКОВ УДАР, ЕКСПЛОЗИЯ, ПОЖАР, които могат да причинят СЕРИОЗНО НАРАНЯВАНЕ, СМЪРТ или МАТЕРИАЛНИ ЩЕТИ.**



Токов удар. Изделието е електрическо устройство, което може да предизвика токов удар и да причини сериозно нараняване. Не сръзвайте захранващите кабели. Не потапяйте във вода и не мокрете изделието.



Експлозия. Оставените без надзор, несъвместими или повредени акумулаторни батерии могат да избухнат при използване с изделието. Не оставяйте изделието без надзор, докато го използвате. Не се опитвайте да направите външно стартиране, ако акумулаторната батерия е повредена или замръзнала. Използвайте изделието само за батерии с препоръчителния волтаж. Работете с изделието само в добре проветривани помещения.



Пожар. Изделието е електрическо устройство, което отделя топлина и може да предизвика изгаряния. Не покривайте изделието. Не пушете и не използвайте никакви източници на електрическо искрене, докато работите с изделието. Дръжте изделието далеч от горими материали.



Увреждане на очите. Използвайте защита за очите, докато работите с изделието. Акумулаторните батерии могат да избухнат и да разпръснат хвърчащи остатъци. Акумулаторната киселина може да предизвика възпаление на очите и кожата. В случай на замърсяване на очите или кожата изплакнете засегнатия участък с чиста течаща вода и потърсете незабавно медицинска помощ от токсиколог.



Експлозивни газове. Работата в близост до оловно-киселинни батерии е опасна. При нормалната си експлоатация батериите отделят експлозивни газове. За да ограничите риска от експлозия на акумулаторната батерия, спазвайте всички указания и препоръки за безопасност, както и инструкциите на производителя на акумулаторната батерия и производителя на оборудването, предвидено да бъде използвано в близост до батерията. Прегледайте предупредителните маркировки върху тези изделия и върху двигателя.

български

За допълнителна информация и поддръжка посетете:

www.no.co/support

Важни предупреждения за безопасност

Предложение 65. Полкусите и изводите на акумулаторните батерии и свързаните с тях принадлежности съдържат химически вещества, включително олово. Тези материали са известни на щата Калифорния като причинители на ракови заболявания и вродени дефекти или други репродуктивни увреждания. **Лични предпазни мерки.** Използвайте изделието само по предназначение. В обсега на чуваемост на Вашия глас или в достатъчна близост трябва да има някой, който да Ви се притече на помощ в случай на спешна нужда. Осигурете в близост наличие на чиста вода и сапун в случай на замърсяване с акумулаторна киселина. Носете пълна защита за очите и защитно облекло, докато работите близо до акумулаторна батерия. След работа с акумулаторни батерии и свързаните с тях материали винаги си измивайте ръцете. При работа с акумулаторни батерии не използвайте и не носете метални предмети, включително: инструменти, часовници или накити. Ако метален предмет падне върху акумулатор, той може да отдели искри или да предизвика късо съединение и да доведе до токов удар, пожар, експлозия, които могат да предизвикат нараняване, смърт или материални щети. **Непълнолетни.** Ако „Купувачът“ е предвидил изделието да се използва от непълнолетно лице, закупилият го възрастен приема да осигури подробни указания и предупреждения за всички непълнолетни, преди те да го използват. Пълната отговорност при неспазване на това изискване се поема от „Купувача“, който се съгласява да обезщети NОСО за всяко непреднамерено или злонамерено използване от непълнолетно лице. **Опасност от задушаване.** Принадлежностите могат да представляват опасност от задушаване за деца. Не оставяйте деца без надзор с изделието или негови принадлежности. Изделието не е играчка. **Работа.** Работете внимателно с изделието. При удряне на изделието то може да се повреди. Не използвайте повредено изделие, включително, но не само, с пукнатини по корпуса или повредени кабели. Не използвайте изделието с повреден захранващ кабел. Влагата и течностите могат да повредят изделието. Не работете с изделието или каквито и да било електрически компоненти в близост до течности. Съхранявайте изделието и работете с него в сухи помещения. Не работете с изделието, ако е намокрено. Ако изделието вече работи и бъде намокрено, го изключете от акумулаторната батерия и прекратете незабавно употребата му. Не изключвайте изделието, като дърпате кабелите. **Модификации.** Не се опитвайте да промените, модифицирате или ремонтирате никакви части на изделието. Разглобяването на изделието може да доведе до нараняване, смърт или материални щети. Ако изделието се повреди, не работи изправно или влезе в контакт с течности, прекратете употребата му и се свържете с фирма NОСО. Всякакви промени по изделието водят до анулиране на гаранцията. **Принадлежности.** Това изделие е одобрено за употреба само с принадлежности от NОСО. NОСО не носи отговорност за безопасността или щети на потребители при използване на принадлежности, които не са одобрени от NОСО. **Местоположение.** Не допускате контакт на изделието с акумулаторна киселина. Не работете с изделието в затворени помещения или в помещения с ограничено проветряние. Не поставяйте акумулаторни батерии върху изделието. Прекарвайте кабелите така, че да избегнете

случайно повреджана от движещи се части на автомобила (включително капаци и врати), движещи се части на двигателя (включително лопатките на вентилатора, ремъци и ремъчни шайби) или те да не създават опасност, която може да доведе до нараняване или смърт.

Работна температура. Изделието е проектирано за работа при температура на околната среда от -30°C до 50°C . Не работете с него при температури извън този диапазон. Не стартирайте автомобила от външен източник, ако акумулаторната батерия е замръзнала. Прекратете незабавно употребата на изделието, ако акумулаторната батерия се загрее прекалено.

Съхранение. Не използвайте и не съхранявайте изделието в помещения с висока концентрация на прах или материали, разпространяващи се из въздуха. Съхранявайте изделието върху равни, сигурни повърхности, така че да няма условия за падане. Съхранявайте изделието в сухо помещение. Температурата на съхранение е от -20°C до 25°C (средна температура). Никога и при никакви обстоятелства не допускайте тя да превиши 80°C .

Съвместимост. Изделието е съвместимо само със системи оловно киселинни акумулаторни батерии на 12 и 24 V. Не се опитвайте да използвате изделието с батерии от друг тип. Външното стартиране на акумулаторни батерии с други химични характеристики може да доведе до нараняване, смърт или материални щети. Преди да се опитвате да стартирате акумулаторната батерия с външен източник, се свържете с производителя на батерията. Не стартирайте акумулаторна батерия с външен източник, ако не сте сигурни в конкретните химични характеристики или волтажа на батерията.

Акумулаторната батерия. Вградената литиево-йонна батерия на изделието трябва да се подменя само от NOCO и задължително трябва да се предава за рециклиране или изхвърля отделно от домакинските отпадъци. Не се опитвайте да смените батерията сами и не работете с повредена или протекла литиево-йонна батерия. Никога не изхвърляйте батерии в домакинските отпадъци. Изхвърлянето на батерии в домакинските отпадъци е незаконно съгласно щатските и федералните закони и нормативни разпоредби за опазване на околната среда. Винаги предавайте използваните батерии в местния център за рециклиране на батерии. Ако батерията на изделието е прекалено гореща, излъчва миризма, деформирана е, пробита или показва признаци на ненормално състояние, незабавно прекратете всякаква употреба и се свържете с NOCO.

Зареждане на батерията. Зареждайте изделието с приложения адаптер за 12 V DC или мрежов адаптер XGC 56 W. Внимавайте с използването на мрежови адаптери с ниско качество, тъй като те могат да представляват сериозен електрически риск, който може да доведе до нараняване на хора, повреджана на изделието и материални щети. Употребата на повредени кабели или зарядни устройства или зареждането при наличие на влага може да доведе до токов удар. NOCO не носи отговорност за безопасността на потребителя при използване на принадлежности или консумативи, които не са одобрени от NOCO. Мрежовите адаптери могат да се загреят при нормална употреба и продължителният контакт с кожата може да причини телесна повреда. Винаги осигурявайте достатъчно проветрение около мрежовите адаптери, докато ги използвате. За да се гарантира максимален живот на батерията, избягвайте да зареждате изделието повече от една седмица непрекъснато, тъй като презареждането може да съкрати живота на батерията. Ако не се използва, с течение на времето изделието се разрежда и трябва да се зареди отново преди употреба. Изключвайте изделието от източниците

на хранване, когато не го използвате. Използвайте изделието само за целите, за които е предвидено. **Медицински уреди.** Изделието може да излъчва електромагнитни полета. Изделието съдържа магнитни компоненти, които могат да влияят на работата на кардиостимулатори, дефибрилатори или други медицински уреди. Тези електромагнитни полета могат да пречат на работата на кардиостимулатори или други медицински уреди. Консултирайте се с личния си лекар, преди да използвате изделието, ако имате някакво медицинско устройство, включително кардиостимулатор. Ако подозирате, че изделието пречи на работата на медицински уред, незабавно спрете употребата му и се консултирайте с личния си лекар. **Медицински състояния.** Ако имате някакво заболяване, за което смятате, че може да бъде повлияно от изделието, включително, но без да се ограничава до, припадъци, загуба на съзнание, преумора на очите или главоболие, преди да използвате изделието се консултирайте с личния си лекар. Използването на вградено фенерче с висока мощност поражда опасност от светочувствителност. Използването на фенерчето в стробоскопичен режим може да причини припадъци у лица с фоточувствителна епилепсия, което може да доведе до сериозно нараняване или смърт. **Фенерче.** Директното гледане в мигащата светлина може да доведе до трайно увреждане на очите. Изделието е снабдено с предварително фокусирана LED лампа с висока мощност, която излъчва мощен лъч на най-високата настройка. **Почистване.** Изключете хранването на изделието, преди да се опитате да го обслужвате или почистите. Почистете и подсушете незабавно изделието, ако влезе в контакт с течност или други замърсители. Използвайте мека (микрофибърна) кърпа, непускаща власинки. Не допускайте проникване на влага в отворите. **Експлозивни атмосфери.** Спазвайте всички предупредителни знаци и указания. Не работете с изделието в помещения с потенциално експлозивна атмосфера, включително в зони за зареждане с гориво или зони с наличие на химикали или частици като зърно, прах или метални прахове. **Дейности с повишен риск.** Това изделие не е предназначено за използване в случаи, в които отказът на изделието може да доведе до нараняване, смърт или тежки щети за околната среда. **Радиочестотни смущения.** Изделието е проектирано, тествано и произведено в съответствие с нормативните разпоредби относно радиочестотните емисии. Такива емисии от изделието могат да се отразят негативно на работата на друго електронно оборудване и да доведат до неизправно функциониране на същото. **Номер на модела: GB500** Това устройство отговаря на изискванията на Част 15 от Правилника на FCC. Работата с него трябва да отговаря на следните две условия: (1) устройството не трябва да предизвиква вредни смущения и (2) устройството трябва да приема всички получавани смущения, включително и такива, които могат да доведат до нежелани промени в работата. **ЗАБЕЛЕЖКА:** Настоящото оборудване е тествано и е установено, че съответства на ограниченията за цифрово устройство от клас А съгласно Част 15 от Правилника на FCC. Тези ограничения са предназначени да осигурят разумна защита срещу вредни смущения, когато оборудването се експлоатира в търговска среда. Оборудването генерира, използва и може да излъчва радиочестотна енергия и, ако не е монтирано и използвано в съответствие с ръководството за експлоатация, може да предизвика вредни смущения в радиокомуникациите. Експлоатацията на това оборудване в жилищни райони може да причини вредни смущения; в такъв случай потребителят е длъжен да отстрани смущенията за собствена сметка.

Начин на употреба

Стъпка 1: Зареждане на GB500.

Изделието GB500 се доставя частично заредено и готово за работа и трябва да се зареди напълно преди използването му. Свържете GB500, като използвате приложения адаптер за 12 V или мрежов адаптер XGC 56 W, към порта 12 V IN. GB500 трябва да бъде в режим на 12 V, за да се зареди. Преди зареждането се уверете, че превключвателят за избор на напрежение е в положението за 12 V. Портът XGC 12 V IN е оразмерен за номинален ток 5 A при 12 V, за да се гарантира безопасното и ефективно зареждане на вътрешната литиева батерия. Поради нормативните разпоредби на FCC препоръчваме изделието да не се зарежда и разрежда едновременно. Времето за презареждане на едно изделие GB500 варира според нивото на разреждане и използвания източник на захранване. Действителните резултати могат да варират поради състоянието на батерията.

25% 50% 75% 100%



При презареждане нивото на зареждане на вътрешната батерия се отчита от LED индикаторите за заряда. LED индикаторите мигат бавно (On и Off) и светват с постоянна светлина, докато и четирите LED индикатора за заряда не светнат постоянно. Когато батерията е напълно заредена, зеленият LED индикатор за 100% свети постоянно, а LED индикаторите за 25%, 50% и 75% заряд се изключват. От време на време зеленият LED индикатор за 100% започва да мига като индикация, че се осъществява поддържащо зареждане.

Зареждане на 12 V DC (60 W).

GB500 трябва да бъде в режим на 12 V, за да се зареди. Преди зареждането се уверете, че превключвателят за избор на напрежение е в положението за 12 V. Свържете кабела за 12 V към порта 12 V IN на GB500, а другия край към мъжкия конектор за 12 V. Включете го в гнездо за захранване 12 V AUX (гнездото за запалката).

Зареждане на променлив ток (56 W).

GB500 трябва да бъде в режим на 12 V, за да се зареди. Преди зареждането се уверете, че превключвателят за избор на напрежение е в положението за 12 V. Свържете кабела XGC за 12 V към порта 12 V IN на GB500, а другия край на мрежовия адаптер 56 W източник на променливотоково захранване (стенна розетка за 100-240 V AC).

Захранване на Вашите устройства на 12 V.

GB500 трябва да бъде в режим на 12 V, за да се активира изходът 12 V OUT. Свържете кабела за 12 V към порта 12 V OUT на GB500, а другия край към женския конектор за 12 V (12 V AUX / гнездото за запалката). Включете всяко стандартно устройство на 12 V (до 15 A) с конектор за 12 V и включете GB500 на ON, за да включите захранването на Вашето устройство.

Стъпка 2: Свързване към батерията.

Внимателно прочетете и осмислете ръководството за експлоатация на автомобила относно специфичните предпазни мерки и препоръчителните

Време за презареждане: 6-8 ч.

Използване на кабел за 12 V DC или мрежов адаптер за променливотоково захранване за презареждане на напълно разреждено изделие. Време за презареждане ще варира в зависимост от нивото на разреждане.

методи за стартиране на автомобила с външно пусково устройство. Не забравяйте да проверите волтажа и химическите характеристики на акумулаторната батерия, като направите справка с ръководството за експлоатация на батерията, преди да използвате това изделие. GB500 е предназначен за външно стартиране само на системи оловно киселинни акумулаторни батерии на 12 и 24 V. Преди да го свържете към акумулаторната батерия, проверете напрежението на системата на батерия. Уверете се, че превключвателят за избор на напрежение е правилното положение (за 12 V или 24 V), съответстващо на системата батерии, която се захранва. Никога не променяйте напрежението, докато към устройството е свързана батерия. Напрежението се променя само когато устройството е изключено. GB500 не е подходящ за никакви други видове батерии. Установете правилния поляритет на полюсите на батерията. Положителният полюс на батерията обикновено е маркиран със следните букви или символ (POS, P, +). Отрицателният полюс на батерията обикновено е маркиран със следните букви или символ (NEG, N, -). Не свързвайте никакви кабели към карбуратора, горивопроводите или тънки части от листов метал. Инструкциите по-долу са за система на заземяване на отрицателния полюс (най-често срещаната). Ако системата на Вашия автомобил е със заземяване на положителния полюс (много рядко срещана), изпълнете долните инструкции в обратен ред.

- 1.) Свържете отрицателния (черния) конектор Boost Max към отрицателния порт на GB500.
- 2.) Свържете положителния (червения) конектор Boost Max към положителния порт на GB500.
- 3.) винаги почиствайте клемите преди да ги свържете. **ЗАБЕЛЕЖКА:** Погрешно свързани или замърсени клеми могат да причинят дим. Батериите с много ниско напрежение също увеличават шансовете да се получи дим.
- 4.) Свържете положителния (червения) конектор Boost Max към положителния (POS, P, +) полюс на батерията.
- 5.) Свържете отрицателния (черния) конектор Boost Max към отрицателния (NEG, N, -) полюс на батерията или към шасито на автомобила. (Заземяването на шасито може да не е подходящо за рязко стартиране на големи приложения.)
- 6.) Извършете разкачването в обратна последователност, като най-напред свалите отрицателната щипка (или положителната щипка при системи със заземен положителен полюс).

Стъпка 3: Външно стартиране.

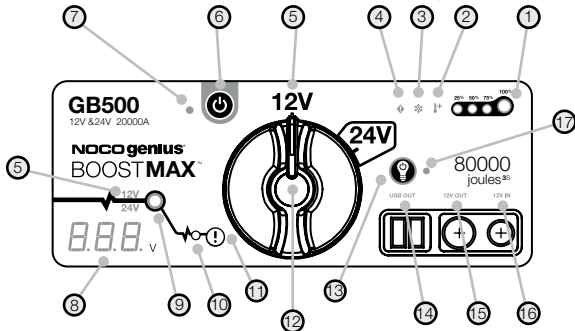
- 1.) Уверете се, че всички консуматори на мощност на автомобила (фарове, радио, климатик и др.) са изключени, преди да опитате да стартирате автомобила с външното пусково устройство. Ако превозното средство е оборудвано с главен шалтер, поставете този шалтер в положение "включено".
- 2.) Натиснете бутона за захранването, за да започнете външното стартиране. Всички LED индикатори започват да мигат като индикация, че всички LED светлини са изправни. Ако сте свързали правилно батерията, светва белият LED индикатор за допълнителното напрежение. Ако щипките за акумулаторната батерия са свързани обратно, светва червеният LED индикатор за грешка. Разменете щипките, за да изчистите тази грешка; сега светва белият LED индикатор за допълнителното напрежение. Белият LED индикатор за допълнителното напрежение свети, когато GB500 е готов за външно стартиране на автомобила.
- 3.) Опитайте да стартирате автомобила. Повечето автомобили стартират веднага. При някои автомобили може да е нужно GB500 да остане свързан до 30 секунди, преди да стартират. Ако автомобилът не стартира веднага, изчакайте 20-30 секунди и опитайте отново. Не правете повече от 5 (пет) последователни опита за външно стартиране за период от 15 (петнадесет) минути. Оставете GB500 в покой за 15 (петнадесет) минути, преди да направите нов опит за външно стартиране на автомобила.
- 4.) След като двигателят на автомобила стартира, разкачете щипките от батерията и отстранете GB500.

Силно разредени акумулаторни батерии и ръчно задействане.

GB500 е проектиран за външно стартиране на 12-волтови оловно-киселинни акумулаторни батерии, разредени до напрежение от 2 V. Ако напрежението на акумулатора е под 2 V, LED индикаторът за допълнителното напрежение няма да свети. Това е индикация, че GB500 не може да открие акумулаторна батерия. Ако се налага да направите външно стартиране с батерия, паднала под 2 V, имате на разположение функцията за ръчно задействане, която позволява да се включи принудително функцията за външно стартиране.




ВНИМАНИЕ.

ИЗПОЛЗВАЙТЕ ТОЗИ РЕЖИМ ИЗКЛЮЧИТЕЛНО ВНИМАТЕЛНО. ТОЗИ РЕЖИМ Е САМО ЗА 12-ВОЛТОВИ ИЛИ 24-ВОЛТОВИ ОЛОВНО-КИСЕЛИННИ АКУМУЛАТОРНИ БАТЕРИИ. УВЕРЕТЕ СЕ, ЧЕ ПРЕВКЛЮЧВАТЕЛЯТ ЗА ИЗБОР НА НАПРЕЖЕНИЕ Е ПРАВИЛНОТО ПОЛОЖЕНИЕ (ЗА 12 V ИЛИ 24 V), СЪОТВЕТСТВАЩО НА СИСТЕМАТА БАТЕРИИ, КОЯТО СЕ ЗАХРАНВА. НЕ ДОПУСКАЙТЕ ЩИПКИТЕ ЗА ПОЛОЖИТЕЛНИЯ И ОТРИЦАТЕЛНИЯ ПОЛЮС НА БАТЕРИЯТА ДА СЕ ДОКОСВАТ ИЛИ СВЪРЖАТ ЕДНА С ДРУГА, ТЪЙ КАТО ТОВА ЩЕ ПРЕДИЗВИКА ИСКРЕНЕ. ТОЗИ РЕЖИМ Е С МНОГО ВИСОКА КОНСУМАЦИЯ НА ТОК (ДО 20,000 АМПЕРА), КОЕТО МОЖЕ ДА ПРЕДИЗВИКА ИСКРЕНЕ И СИЛНО НАГРЯВАНЕ, АКО НЕ СЕ ИЗПОЛЗВА ПРАВИЛНО. АКО НЕ СТЕ УВЕРЕНИ ОТНОСНО ИЗПОЛЗВАНЕТО НА ТОЗИ РЕЖИМ, НЕ СЕ ОПИТВАЙТЕ И ПОТЪРСЕТЕ ПОМОЩ ОТ ПРОФЕСИОНАЛИСТ.



- 1. Ниво на вътрешната батерия** Указва нивото на зареждане на вътрешната батерия.
- 2. LED индикатор за загряване Свети** постоянно в червено; изделието е напълно изправно, но доближава горната гранична температура. Мигащ в червено; изделието е прекалено нагорещено за външно стартиране, но останалите функции все още са достъпни.
- 3. LED индикатор за студ Свети** постоянно в синьо; изделието е напълно изправно, но доближава долната гранична температура. Мигащ в синьо; изделието е прекалено студено за външно стартиране, но останалите функции все още са достъпни.
- 4. LED индикатор за грешки** Светва в червено при установяване на разменен поляритет.
- 5. Индикатор за напрежението** Указва напрежението на системата батерии, което е настроено в момента на GB500. 12 V – В режим на 12 V свети в бяло; 24 V – В режим на 24 V свети в синьо.
- 6. Бутон за захранването** Натискайте го, за да включите и изключите изделието.
- 7. LED индикатор за захранването** Свети в бяло, когато изделието е включено (On).
- 8. Волтметър** Вграденият волтметър отчита напрежението на акумулаторната батерия на автомобила за подобряване на диагностиката и отстраняването на неизправности. Волтметърът отчита автоматично напрежението на всяка акумулаторна батерия (или система от батерии), когато са свързани щипките за батерията – дори когато изделието е изключено. Волтметърът отчита напрежение от ~3 V до ~30 V. Ако напрежението на свързаната батерия е под 3 V, не се отчита нищо. При такава ситуация вероятно към батерията има включени консуматори, като фарове или променливотоков вентилатор, които трябва да бъдат изключени, преди да се опитате да стартирате автомобила.
- 9. LED индикатор за допълнителното напрежение** Свети в бяло, когато е активен режимът с допълнително напрежение (Boost). Ако изделието е свързано правилно към акумулаторна батерия, GB500 установява автоматично наличието на батерия и превключва в режим Boost (Белият LED индикатор мига, когато е активна функцията за ръчно задействане).
- 10. LED индикатор за ръчно задействане** Свети постоянно в червено при активирано ръчно задействане.
- 11. Бутон за ръчно задействане** За да активирате режима, натиснете и задръжте бутона за 3 (три) секунди. **ПРЕДУПРЕЖДЕНИЕ: Изключва защитните функции и превключва принудително ръчно на режим Boost. Трябва да се използва само, ако батерията е прекалено разредена, за да бъде установена автоматично.**
- 12. Превключвател за избор на напрежение** Завъртете го за превключване между режимите на 12 V и на 24 V.
- 13. Бутон за режима на лампата** Превключва работната лампа през 7 режима на светене: 100% > 50% > 10% > SOS > Мигане > Стробоскоп > Изкл.
- 14. LED индикатор за изхода USB Out** Свети в бяло; Функцията USB Out може да се използва и в двата режима – на 12 V и на 24 V.
- 15. LED индикатор за изхода 12 V Out** Свети в бяло; Функцията 12 V Out може да се използва само в режим на 12 V.
- 16. LED индикатор за входа 12 V In** Свети в бяло; Функцията 12 V In може да се използва само в режим на 12 V.
- 17. LED индикатор за режима на лампата** Свети в бяло, когато работната лампа е включена (On), но изделието е изключено.

Отстраняване на проблеми

Грешка	Причина/Решение
 LED индикатор за грешки: Постоянно червен LED индикатор за грешки: Едно (1) примигване LED индикатор за грешки: Двойно (2) примигване LED индикатор за грешки: Тройно (3) примигване LED индикатор за грешки: Четворно (4) примигване LED индикатор за грешки: Петорно (5) примигване	Установен е разменен поляритет. / Разменете свързването на акумулаторната батерия. Установено е късо съединение на щипките за батерията. / Изключете всички товари и свържете отново щипките към батерията. Времето на външно стартиране превишава 10 (десет) минути. / Изключете изделието (Off) и го включете отново (On). Отказ на вътрешния главен изключвател. / Уверете се, че превключвателят за избор на напрежение е завъртян правилно на положение 12 V или 24 V. По време на зареждането е установена дефектна клетка на батерия. / Изключете изделието и се свържете с отдела по поддръжката на NOCO. Грешка от свърхток на изхода XGC OUT. / Изключете товара от XGC OUT, изключете изделието (Off) и го включете отново (On).
 LED индикатор за загряване: Свети постоянно LED индикатор за загряване: Мига LED индикатор за загряване: Мига, след което всички LED светлини угасват	Изделието е напълно изправно, но доближава горната гранична температура. / Оставете изделието да се охлади. Изделието е прекалено нагорещено за външно стартиране, но останалите функции все още са достъпни. / Оставете изделието да се охлади. Изделието е прекалено нагорещено за външно стартиране или използване на останалите функции. / Оставете изделието да се охлади и го изнесете на по-хладно място
 LED индикатор за студ: Свети постоянно LED индикатор за студ: Мига LED индикатор за студ: Мига, след което всички LED светлини угасват	Изделието е напълно изправно, но доближава долната гранична температура. / Оставете изделието да се затопли. Изделието е прекалено студено за външно стартиране, но останалите функции все още са достъпни. / Оставете изделието да се затопли. Изделието е прекалено студено за външно стартиране или използване на останалите функции. / Оставете изделието да се затопли и го преместете на по-топло място.
Техническа бележка	Литиево-йонните батерии се загряват при използване. Ако LED индикаторът за грешки от студ свети, направете няколко опита за външно стартиране, за да затоплите батерията и изчистите грешката. Обикновено 3-4 външни стартирания са достатъчни за загряване на батерията и изчистване на грешката.

Технически спецификации

Вътрешна батерия:	Литиево-йонна Ватчас (Ватчас 266)
Номинален пиков ток:	20,000 A
joules3S:	80,000+
Работна температура:	-30°C до +50°C (-22°F до +122°F)
Температура на зареждане:	0°C до +40°C (32°F до +104°F)
Температура на съхранение:	-20°C до +50°C (-4°F до +122°F) (ср. темп.)
USB (изход):	Двоен 5 V, 2,1 A
12V (вход):	12V, 5A
12V (изход):	12V, 15A
Клас на защита на корпуса:	IP65 (със затворени портове)
Охлаждане:	Естествена конвекция
Размери (Д x Ш x В):	12,25 x 8,25 x 2,25 инча (311,15 x 209,55 x 57,15 mm)
Тегло:	8,6 кг (19 фунта)

Гаранция

NOCO Genius – Ограничена гаранция за 1 (една) година.

Компанията NOCO („NOCO“) гарантира, че това изделие („Изделието“) няма да покаже дефекти в материалите и изработката за период от 1 (една) година от датата на закупуване („Гаранционен период“). При дефекти, докладвани по време на Гаранционния период, NOCO ще осигурява, по собствено усмотрение и след анализ от страна на Отдела за техническа поддръжка на NOCO, ремонт или подмяна на дефектните изделия. Частите и изделията за подмяна ще бъдат нови или добре поддържани използвани такива, сравними по функционални възможности и работни параметри с оригиналната част и гарантирани за остатъка от първоначалния Гаранционен период.

ОТГОВОРНОСТТА НА NOCO ПО СИЛАТА НА НАСТОЯЩОТО Е ИЗРИЧНО ОГРАНИЧЕНА ДО ПОДМЯНА ИЛИ РЕМОНТ. ДО МАКСИМАЛНАТА СТЕПЕН, РАЗРЕШЕНА ПО ЗАКОН, NOCO НЕ НОСИ ОТГОВОРНОСТ ПРЕД НИКОЙ КУПУВАЧ НА ИЗДЕЛИЕТО ИЛИ НИКОЯ ТРЕТА СТРАНА ЗА НИКАКВИ СПЕЦИАЛНИ, КОСВЕНИ, ПОСЛЕДВАЩИ ИЛИ НАКАЗАТЕЛНИ ЩЕТИ, ВКЛЮЧИТЕЛНО, НО БЕЗ ДА СЕ ОГРАНИЧАВАТ ДО, ПРОПУСНАТИ ПЕЧАЛБИ, МАТЕРИАЛНИ ЩЕТИ ИЛИ ТЕЛЕСНИ ПОВРЕДИ, СВЪРЗАНИ ПО КАКЪВТО И ДА БИЛО НАЧИН С ИЗДЕЛИЕТО, НЕЗАВИСИМО ОТ КАКВО СА ПРИЧИНЕНИ И ДОРИ АКО НА NOCO Е БИЛА ИЗВЕСТНА ВЪЗМОЖНОСТТА ЗА НАСТЪПВАНЕ НА ТАКИВА ЩЕТИ. ОПРЕДЕЛЕНЕТЕ ТУК ГАРАНЦИИ ЗАМЕСТВАТ ВСИЧКИ ДРУГИ ГАРАНЦИИ, ИЗРИЧНИ, ПОДРАЗБИРАЩИ СЕ, УСТАНОВЕНИ ПО ЗАКОН ИЛИ ПО ДРУГ НАЧИН, ВКЛЮЧИТЕЛНО, НО БЕЗ ДА СЕ ОГРАНИЧАВАТ ДО, ПОДРАЗБИРАЩИТЕ СЕ ГАРАНЦИИ ЗА ПРОДАВАЕМОСТ ИЛИ ПРИГОДНОСТ ЗА КОНКРЕТНИ ЦЕЛИ, КАКТО И ГАРАНЦИИТЕ, ПРОИЗТИЧАЩИ ОТ ОБИЧАЙНАТА ДЕЛОВА ПРАКТИКА, ОБИЧАЙТЕ ИЛИ ТЪРГОВСКАТА ПРАКТИКА. В СЛУЧАЙ ЧЕ НИКАКВИ ПРИЛОЖИМИ ЗАКОНИ НАЛАГАТ ГАРАНЦИИ, УСЛОВИЯ ИЛИ ЗАДЪЛЖЕНИЯ, КОИТО НЕ МОГАТ ДА БЪДАТ ИЗКЛЮЧЕНИ ИЛИ ПРОМЕНЕНИ, ТОЗИ ПАРАГРАФ ВАЖИ В МАКСИМАЛНАТА СТЕПЕН, РАЗРЕШЕНА ОТ ВЪПРОСНИТЕ ЗАКОНИ.

Настоящата Ограничена гаранция се предоставя единствено в полза на първоначалния купувач на Изделието от NOCO или от одобрен от NOCO търговец или дистрибутор и не може да се преотстъпва или прехвърля. За да предяви гаранционна претенция, купувачът трябва: (1) да поиска и получи номер на Съгласие за връщане на стока („RMA“) и информация за Мястото на връщане („Return Location“ - Място на връщане) от Отдела по поддръжката на NOCO чрез имейл на адрес support@no.co или чрез обаждане на телефон 1-800-456-6626; и (2) да изпрати Изделието, заедно с номера на RMA, касова бележка или гаранционна такса (таксата се изисква само, ако не бъде представена касова бележка) от 45% от препоръчаната от производителя цена на дребно (MSRP) на дефектното Изделие („Гаранционна такса“) [в RMA се посочва приложимата сума на гаранционната такса] до Мястото на връщане. НЕ ИЗПРАЩАЙТЕ ИЗДЕЛИЕТО, БЕЗ НАЙ-НАПРЕД ДА СТЕ ПОЛУЧИЛИ RMA ОТ ОТДЕЛА ПО ПОДДРЪЖКАТА НА NOCO.

ПЪРВОНАЧАЛНИЯТ КУПУВАЧ НОСИ ОТГОВОРНОСТ ЗА (И ТРЯБВА ДА ПРЕДПЛАТИ) ВСИЧКИ РАЗХОДИ ЗА ОПАКОВАНЕТО И ТРАНСПОРТИРАНЕТО НА ИЗДЕЛИЯТА, ДОСТАВЯНИ ЗА ГАРАНЦИОННО ОБСЛУЖВАНЕ.

НЕЗАВИСИМО ОТ ГОРНОТО, НАСТОЯЩАТА ОГРАНИЧЕНА ГАРАНЦИЯ Е НЕВАЛИДНА И НЕ ВАЖИ ЗА ИЗДЕЛИЯ, КОИТО: (а) са използвани злоумишлено, неправилно, станали са обект на злоупотреба или небрежно боравене, злополука, неправилно съхранение при условия на екстремно напрежение, температура, удари или вибрация, надвишаващи препоръките на NOCO за безопасно и фикасно използване; (б) са инсталирани, експлоатирани или обслужвани неправилно; (в) са/били модифицирани без изрично писмено съгласие от NOCO; (г) са били разглобени, променени или ремонтирани не от NOCO, а от друга страна; (д) са с дефекти, за които е съобщено след Гаранционния период.

ТАЗИ ОГРАНИЧЕНА ГАРАНЦИЯ НЕ ПОКРИВА: (1) нормалното износване и похабяване; (2) козметични недостатъци, които не влияят на изправната работа; или (3) Изделия с липсващ, променен или изтрит сериен номер на NOCO.

Можете да регистрирате своето изделие от NOCO онлайн на адрес: no.co/register. Ако имате въпроси относно гаранцията или изделието, обърнете се към Отдела по поддръжката на NOCO (на имейл адреса и телефонния номер по-горе) или пишете на адрес: The NOCO Company, at 30339 Diamond Parkway, #102, Glenwillow, OH 44139 USA.

NOCO genius[®] BOOSTMAX[™] GB500

 **OHTLIK!**

Kasutusjuhend & Garantii



LUGEGE HOOLIKALT LÄBI KOGU OHUTUSTEAVE ENNE TOOTE KASUTAMIST. Juhtnööride eiramine võib lõppeda **ELEKTRISOKI, PLAHVATUSE, TULEKAHJUGA**, mis võib tekitada **TÖSISEID VIGASTUSI, LÕPPEDA SURMAGA** või **VARALISE KAHJUGA**.



Elektrišokk. Toode on elektriline seade, mis võib anda elektrišoki ja põhjustada tõsiseid vigastusi. Ärge lõigake toitejuhtmeid läbi. Ärge asetage toodet vette ega laske sellel märjaks saada.



Plahvatus. Kontrollimata, ühildumatud või kahjustatud akud võivad tootega kooskasutamisel plahvatada. Ärge jätke toodet kasutamise ajal järelvalveta. Ärge üritage käivitada kahjustatud või külmunud akut. Kasutage toodet ainult koos soovitusliku voltaažiga akudega. Kasutage toodet hästi ventileeritud keskkonnas.



Tulekahju. Toode on elektriseade, mis eraldab kuumust ja võib põhjustada põletusi. Ärge katke toodet. Ärge suitsetage ega kasutage toote kasutamise ajal elektrilisi süütajaid. Hoidke toode eemal süttivatest materjalidest.



Silmakahjustus. Toote kasutamisel kandke silmakaitset. Akud võivad plahvatada ja eritada võib lendlevaid jääke. Akudest pärinev hape võib põhjustada silmade ja naha ärritust. Silmade või naha saastumisel loputage kahjustatud piirkonda puhta veega ja kontakteeruge koheselt mürgistusteabekeskusega.



Plahvatusohtlikud gaasid. Pliihappe läheduses töötamine on ohtlik. Akud toodavad normaalse töötsükli raames plahvatusohtlike gaase. Aku plahvatusohtu vähendamiseks järgige kõiki aku tootja poolseid ohutusteabe juhiseid, ja ohutusjuhiseid mille on välja andnud akude läheduses kasutatavate seadmete tootjad. Vaadake üle antud toodetel ja mootoril olevad ohutusmärgised.

Eesti

Lisainformatsiooni ja
klienditoe tarvis külastage:

www.no.co/support

Olulised turvaohutusnõuded

Ohutu joogivee ja mürgiste ainete seadus. Aku klemmid, terminalid ja seotud tarvikud sisaldavad kemikaale, muuhulgas pliidi. Need materjalid on Kalifornia Osariigis teadaolevalt põhjustanud vähki, sünnidefekte ja muud reproduktiivset kahju. **Isiklik ohutus.** Kasutage antud toodet ainult vastavalt juhtnõoidele. Keegi peaks toote kasutamise ajal olema teist hüüdmiskaugusel või teile piisavalt lähedal, et hädaolukorras appi tulla. Hoidke puhas vett ja seepi läheduses juhuks, kui peaks aset leidma aku happega saastumine. Kandke aku lähedal töötades täielikku silmakaitset ja kaitseriietust. Peske alati käed peale akude ja seotud materjalidega töötamist. Ärge kasutage ega kandke endaga metallist objekte kui akudega töotate - muuhulgas tööriistu, käekellasid ja ehteid. Kui metall kukub akule, võib see süttida või tekitada lühise mille tulemuseks on elektrišokk, tulekahju või plahvatus, mis võib tekitada vigastusi, põhjustada surma või varalist kahju. **Alaealised.** Kui ostja kavatseb toodet alaealise kasutusse anda, nõustub ostjaks olev täiskasvanu andma detailseid juhtnõore ja hoiatusi mistahes alaealisele enne, kui ta toodet kasutama asub. Selle tegemata jätmise korral on kogu vastutus ostja kanda, kes siinkohal nõustub NOCO vastutusest vabastama mistahes toote eesmärgipäratu või vale kasutuse korral alaealise poolt. **Lämbumisoht.** Tootelised võivad seada lapsed lämbumisohtu. Ärge jätke lapsi tootega või mistahes varuosadega järelevalveta. See toode ei ole mänguasi. **Käsitlemine.** Käsitlege toodet hoolsasti. Füüsiline kokkupõrge teiste esemetega võib toodet kahjustada. Ärge kasutage kahjustatud toodet, muuhulgas korpuse mõrade või kahjustunud juhtmetega toodet. Ärge kasutage kahjustunud toitejuhtmega toodet. Niiskus ja vedelikud võivad toodet kahjustada. Ärge käsitlege toodet ega selle elektrilisi komponente ühegi vedeliku lähedal. Hoiustage ja kasutage toodet kuivas kohas. Ärge kasutage toodet kui see on saanud märjaks. Kui toode juba töötab ning saab märjaks, ühendage see aku küljest lahti ja lõpetage kohe selle kasutamine. Ärge ühendage toodet lahti kaablitest tõmbamise teel. **Modifikatsioonid.** Ärge üritage muuta, modifitseerida või parandada ühtegi toote osa iseseisvalt. Toote lahti võtmine võib põhjustada vigastusi, lõppeda surmaga või varalise kahjuga. Kui toode saab kahjustada, sellel esinevad talitlushäired või see sattub kontakti mistahes vedelikuga, lõpetage selle kasutamine ja kontakteeruge NOCO-ga. Mistahes modifikatsioonid tootele muudavad garantii kehtetuks. **Lisavarustus.** See toode on heaks kiidetud kasutamiseks NOCO lisavarustusega. NOCO ei ole vastutav kasutaja turvalisuse või kahju eest, kui kasutusel on olnud lisavarustus mida NOCO heaks ei kiida. **Asukoht.** Vältige aku happe ja toote kontakti sattumist. Ärge kasutage toodet suletud ruumis või piiratud ventilatsiooniga alal. Ärge asetage akut toote peale. Positsiooni kaabel aitab vältida õnnetusjuhtumeteid seoses liikuvate sõiduki osadega (muuhulgas ka kapottide ja uste liigutamisel), liikuvate mootori osadega (muuhulgas labade, rihmade ja rihmarataste) või mistahes muude osadega, mis võiksid osutada potentsiaalselt vigastuste või surma põhjustajaks. **Töötemperatuur.** See toode on disainitud töötama temperatuurivahemikus -30°C kuni 50°C. Ärge kasutage toodet väljaspool temperatuurivahemikke. Ärge käivitage külmunud akut. Lõpetage kohe selle toote kasutamine, kui aku muutub liigselt kuumaks. **Hoiustamine.** Ärge kasutage ega hoiustage toodet alal kus on kõrge kontsentratsioon tolmu või õhusakesi. Hoiustage toodet lamedal, turvalisel pinnasel, kus ei esine toote kukkumisohtu. Hoiustage oma toodet kuivas asukohas. Hoiustustemperatuur on -20°C - 25°C (keskmine temperatuur). Ärge mingil juhul ületage 80°C. **Ühilduvus.** Seade ühildub vaid 12V ja 24V pliikuga. Ärge üritage kasutada seadet teist sorti akude peal. Teiste akude käivitamise katsed võivad lõppeda vigastuse, surma või kahjustatud varaga. Enne käivitamist pöörduge akutootja poole lisainformatsiooni saamiseks. Ärge püüdke akut käivitada, kui te pole kindel aku koostises või pinges. **Aku.** Tootesse sisseehitatud liitiumioonakut võib asendada vaid NOCO tootega ja seda tuleb taaskasutada ning käidelda majapidamisjäätmetest eraldi.

Ärge üritage akut ise asendada ja ärge käsitlege kahjustatud või lekkivat liitiumioonakut ise. Ärge utiliseerige akut majapidamisjäätmetega koos. Akude käitlemine koos majapidamisjäätmetega o Akude käitlemine koos majapidamisjäätmetega on ebaseaduslik osariiklike ja föderaalsete keskkonnaseaduste kohaselt. Viige kasutatud akud kohalikku jäätmekäitluskeskusesse. Kui toote aku on liigselt kuum, eritab lõhna, on deformeerunud, lõigatud või ei tööta normikohaselt, lõpetage kohe toote kasutamine ja kontakteeruge NOCO-ga. **Aku laadimine.** Kasutage seadme laadimiseks kaasasolevat 12V VV adapterit või 56W XGC toiteadapterit. Madala kvaliteediga adapterite kasutamisel olge ettevaatlikud, sest nende elektritarbimine võib tekitada vigastusi ja kahjustusi seadmele ning varale. Kahjustatud kaablite või laadijate kasutamine või laadimine niiskes keskkonnas võib põhjustada elektrišokki. NOCO ei vastuta tarbija ohutuse eest olukorras, kus kasutatakse lisatarvikuid või varuosi, mis pole NOCO poolt heaks kiidetud. Toiteadapterid võivad tavakasutuse korral üles kuumeneda ning pikem kontakt nahaga võib tekitada kehavigastusi. Kasutage toiteadaptereid alati hästi ventileeritud keskkonnas. Aku kestvuse tagamiseks ärge laadige seadet rohkem kui kord nädalas, sest ülelaadimine lühendab aku kestvust. Aja jooksul seade tühjeneb, kui seda ei kasutata, seega tuleb seda enne kasutamist uuesti laadida. Eemaldage seade vooluallikast, kui te seda ei kasuta. Kasutage seadet selleks ette nähtud eesmärgil. **Meditsiinilised seadmed.** Toode võib väljutada elektromagneetilisi väljasid. Toode sisaldab magnetilisi komponente, mis võivad sekkuda südamestimulaatorite, defibrillaatorite või muude meditsiiniliste seadmete töösse. Need elektromagneetilised väljad võivad sekkuda südamestimulaatorite või meditsiiniliste seadmete töösse. Konsulteerige arstiga enne toote kasutamist juhul kui teil on mistahes meditsiinilisi seadmeid implanteeritud, muuhulgas südamestimulaator. Kui kahtlustate, et toode segab meditsiinilise seadme tööd, lõpetage toote kasutamine kohe ja konsulteerige oma arstiga. **Meditsiinilised seisundid.** Kui teil on mistahes meditsiiniline seisund mida toode võib mõjutada, muuhulgas kuid mitte limiteeritud järgnevatega: krambid, teadvusekaotuse hood, silmade väsimus või peavalud, konsulteerige enne toote kasutamist oma arstiga. Suure võimsusega integreeritud valgusvoogude kasutamine tekitab valgustundlikkuse ohu. Valguse kasutamine strobeerežiimis võib põhjustada fotosensitiivse epilepsiaga inimestel krampe, mis võivad lõppeda tõsiste vigastuste või surmaga. **Valgus.** Otse valgusesse vaatamine võib lõppeda püsiva silmakahjustusega. Toode on varustatud kõrge väljutusega LED eel-fokuseeritud lambiga, mis annab kõrgseadistuse juures välja võimsa valgusvoo. **Puhastamine.** Lülitage seade välja enne, kui üritate seda hooldada või puhastada. Puhastage ja kuivatage toode kohe, kui see satub kontakti vedelikuga või mistahes saasteainega. Kasutage pehmet mikrofiiber riiet. Vältige vedeliku sattumist toote avadesse. **Plahvatuslik keskkond.** Järgige kõiki tähiseid ja juhtnööre. Ärge kasutage toodet mistahes aladel, kus keskkond on potentsiaalselt plahvatuslik, muuhulgas tankimispiirkondades või aladel kus õhus esineb kemikaale või osakesi, terakesi, õhutolmu või metallitolmu. **Tõsiste tagajärgedega tegevused.** Antud toode ei ole mõeldud kasutamiseks olukordades, kus toote terved võiksid viia vigastuste, surma või tõsise keskkondliku kahjuni. **Raadiosageduslikud häired.** Toode on disainitud, testitud ja toodetud vastama raadiosageduslike emissioonide käsitlevatele regulatsioonidele. Taolised emissioonid tootelt võivad negatiivselt mõjutada elektrooniliste seadmete tööd, põhjustades talitlushäireid. **Mudeli number: GB500.** Käesolev seade vastab FCC reeglitiiku Osale 15. Käesolev operatsioon vastab järgnevale kahele tingimusele: (1) käesolev seade ei pruugi kahjulikku interferentsi põhjustada, ja (2) käesolev seade peab vastu võtma mistahes interferentsi, muuhulgas interferentsi mis võib põhjustada talitlushäireid. **MÄRGE:** Seda varustust on testitud ja on leitud, et see vastab Klass A digitaalsete seadmete nõuetele, mis tuleneb FCC reeglitiiku Osast 15. Need limitatsioonid on disainitud pakkuma mõistlikku kaitset kahjuliku interferentsi vastu seadme kasutamisel kaubanduslikus keskkonnas. See seade tekitab, kasutab ja võib väljutada raadiosageduslikku energiat ja kui see ei ole installeeritud ja kasutatud vastavalt kasutusjuhendile, võib see põhjustada radioühenduse interferentsi. Käesoleva varustuse kasutamine elamurajoonides võib põhjustada kahjulikku interferentsi ja sel juhul peab kasutaja interferentsi lahendama ise kulusid kandes.

Kasutusjuhend

Samm 1: Laadige GB500.

GB500 on osaliselt laetud ja karbist välja võttes tuleb see enne kasutamist täielikult laadida. Ühendage seade kaasas oleva 12V adapteri või 56W toiteadapteri kaudu 12V In porti. GB500 peab laadimiseks olema 12V režiimis. Enne laadimist veenduge, et pinge on seatud 12V peale. XGC 12V In port on seadistatud 12V / 5A peale, et tagada turvaline ja tõhus liitiumaku laadimine. FCC reeglite kohaselt ei soovita me seadmeid laadida ja kasutada samaaegselt. GB500 täis laadimiseks kuluv aeg varieerub sõltuvalt kulutamise kiirusest ja kasutatavast vooluallikast. Samuti võib seda mõjutada aku seisukord.

Laadimise aeg: 6-8 tundi

12V AV kaabli või VV adapteri kasutamine täielikult tühjenenud seadme täislaadimiseks. Laadimise aeg sõltub tarbitud energiast.

25% 50% 75% 100%



Toote laadimisel on sisemise aku laetuse tase toodud LED tulukeste põhisel. LED-id vilguvad aeglaselt sisse ja välja ning vilkumine lõppeb alles siis, kui kõik neli LED-i on püsivalt süttinud. Kui aku on täis laetud, siis roheline 100% LED põleb püsivalt ning 25%, 50% ja 75% laetustasemele viitavad LED tuled kustuvad. Aeg-ajalt vilgub roheline 100% laetustasemele viitav LED, mis näitab, et toimub säilituslaadimine.

12V AV laadimine (60 W).

GB500 peab laadimiseks olema 12V režiimis. Veenduge enne laadimist, et pinge on seatud 12V peale. Ühendage 12V kaabel GB500 12V In pordiga ning teine ots 12V isase pistikuga. Ühendage see 12V AUX pistikuga (sigaretisüütaja port).

VV laadimine (56W).

GB500 peab laadimiseks olema 12V režiimis. Enne laadimist veenduge, et pinge on seatud 12V peale. Ühendage XGC 12V kaabel GB500 12V In pordiga ning teine ots 56W VV-adapteriga (100-240 VAC seinakontakt).

12V seadmete toide.

GB500 peab olema 12V režiimis, et võimaldada 12V väljundit. Ühendage 12V kaabel GB500 12V väljundpesaga ning teine ots 12V emase pistikuga (12 V AUX / sigaretisüütaja port). Ühendage mis tahes standardne 12V seade (kuni 15A) 12V pesaga ning lülitage seadme toitmiseks GB500 sisse.

Samm 2: Ühendage aku.

Lugege hoolikalt sõiduki omanikule mõeldud kasutusjuhendit spetsiifiliste ettevaatusabinõude ja soovituslike meetodite osas sõiduki käivitamiseks. Veenduge ja tehke kindlaks aku voltaaz ja keemia enne toote kasutuselevõttu, lähtudes aku kasutusjuhendist. GB500 on mõeldud 12V ja 24V pliiaakusüsteemide käivitamiseks. Enne akuga ühendamist tehke kindlaks aku pingetarbimine. Veenduge enne käivitamist, et pinge oleks õigesti seadistatud (12V või 24V). Enne aku ühendamist veenduge, et teil on tegemist 12-voldise pliihappel põhineva akuga. GB500 ei ole sobilik ühegi teist tüüpi akuga kasutamiseks. Ärge kunagi muutke pinget, kui seade on akuga ühendatud. Muutke pinget ainult siis, kui seade on välja lülitatud.

Identifitseerige korrektne polaarsus aku terminalidel. Positiivne aku terminal on harilikult tähistatud ühega järgnevatest tähistest: POS, P, +. Negatiivne aku terminal on harilikult tähistatud ühega järgnevatest tähistest: NEG, N, -. Ärge looge ühendusi karburaatori, kütusetorude ega õhukeste metall-plaat osade vahel. All olevad instruksioonid on mõeldud negatiivselt maandatud süsteemidele (kõige sagedasem). Kui teie sõiduk on positiivselt maandatud süsteemiga (väga haruldane), järgige alltoodud instruksioone maanduse ümbervahetamiseks.

- 1.) Ühendage negatiivne (must) Boost Max Connector GB500 negatiivse pordiga.
- 2.) Ühendage positiivne (punane) Boost Max Connector GB500 positiivse pordiga.
- 3.) Enne klambrite ühendamist puhastage alati klemmid. MÄRKUS: vigased ühendused või määratud klemmid võivad põhjustada suitsu. Väga madala pingega akud suurendavad ka suitsemise võimalust.
- 4.) Ühendage positiivne (punane) Boost Max Connector positiivse (POS, P, +) akuterminaliga.
- 5.) Ühendage negatiivne (must) Boost Max Connector negatiivse (NEG, N, -) akuterminali või sõiduki alusplaadiga. (Šassii külge maandamine ei pruugi sobida suurte seadmete käivitamisabiks.)
- 6.) Lahti ühendamisel toimige tagurpidises järjekorras, eemaldades enne negatiivne ots (või positiivne, kui tegemist positiivse taustsüsteemiga).

Samm 3: Käivitamine.

- 1.) Veenduge, et kõik sõiduki võimsust koormavad funktsioonid (peatuled, raadio, konditsioneer jne) on välja lülitatud enne kui sõidukit käivitada üritate. Kui sõiduk on varustatud pealülitiga, keerake see asendisse "sees".
- 2.) Vajutage käivitusnuppu, et käivitamist alustada. Kõik LED tuled vilguvad, mis viitab et kõik LED-id on korrektselt funktsioneerivad. Kui olete aku korrektselt ühendanud, siis White Boost LED süttib. Kui aku klambriid on ühendatud vastupidiselt soovitud järjekorrale, süttib Red Error LED. Vahetage ühendused ümber, et parandada viga. Seejärel süttivad White Boost LED tuled. White Boost LED süttib, kui GB500 on valmis teie sõidukit käivitama.
- 3.) Proovige sõidukit käivitada. Enamik sõidukeid käivitub koheselt. Mõned sõidukid võivad vajada GB500 ühendust kuni 30 sekundi vältel enne käivitumist. Kui sõiduk ei käivitu koheselt, oodake 20-30 sekundit ja proovige uuesti. Ärge üritage enam kui viit (5) järjestikust käivitust viieteist (15) minutilise perioodi vältel. Lubage GB500 seadmel viieteist (15) minutit puhata enne teistkordset üritust sõiduki käivitamiseks.
- 4.) Kui olete oma sõiduki käivitanud, ühendage aku klambriid lahti ja eemaldage GB500.

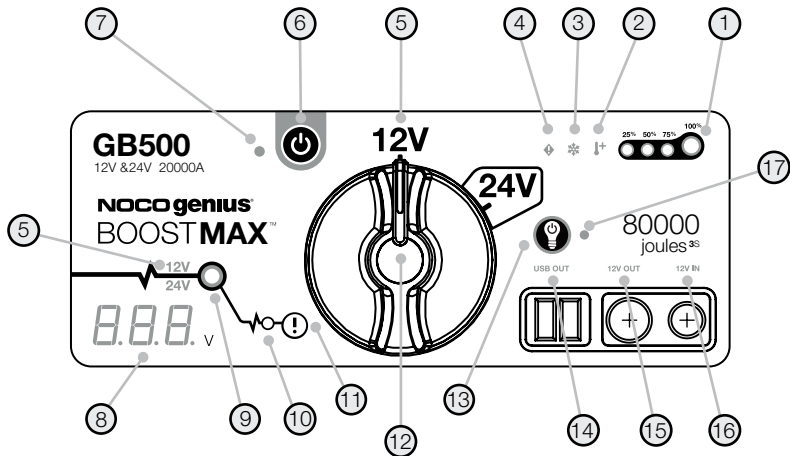
Madala voltaažiga akud & manuaalne käivitamine.

GB500 on disainitud käivitama 12-voldist pliihappel põhinevat akut ja nõrgemaid kuni 2-voldiseid pliihappel põhinevaid akusid. Kui teie aku on alla 2-voldine, ei sütti Boost LED. See viitab, et GB500 ei suuda akut tuvastada. Kui teil on vaja käivitada alla 2-voldist akut, on võimalik ka manuaalne käivitamine.

ETTEVAATUST.




KASUTAGE SEDA REŽIIMI ÜLIMA ETTEVAATLIKKUSEGA. SEE REŽIIM ON MÕELDUD AINULT 12V VÕI 24V PIIIAKUDE JAKKS. ENNE KÄIVITAMIST VEENDUGE, ET PINGE OLEKS VASTAVALT KÄIVITATAVALE AKUSÜSTEEMILE ÕIGESTI SEADISTATUD (12V VÕI 24V). NII SÄDEMEKINDLUSTAMINE KUI VASTUPIDISE POLAARSUSE KAITSE ON VÄLJA LÜLITATUD. OLGE VÄGA TÄHELEPANELIK AKU POLAARSUSE OSAS ENNE SELLE REŽIIMI KASUTAMIST. ÄRGE LASKE POSITIIVSETEL JA NEGATIIVSETEL AKU KLAMBRITEL KOKKU PUUTUDA EGA ÜHENDUST LUUA, KUNA

KOKKUPUUDE TOODAB SÄDEMEID. SEE REŽIIM KASUTAB VÄGA KÕRGET PINGET (KUNI 20,000 AMPRIT) MIS VÕIB TOOTA SÄDEMEID JA kõrget temperatuuri JUHTNÕORIDE EIRAMISEL. KUI OLETE ANTUD REŽIIMI KASUTAMISE OSAS EBAKINDEL, ÄRGE KATSETAGE SEDA NING OTSIGE PROFESSIONAALSET ABI.



1. Siseaku tase näitab aku laetuse taset.
2. **Kuum LED:** põleb püsivalt punaselt, kui seade on täielikult kasutusvalmis, kuid temperatuuri ülempiirile lähenemas. Vilkuv punane tuli tähendab, et seade on käivitamiseks liiga kuum, kuid teised funktsioonid on ikkagi saadaval.
3. **Külm LED:** põleb püsivalt siniselt, kui seade on täielikult kasutusvalmis, kuid lähenemas temperatuuri alampiirile. Vilkuv sinine tähendab, et seade on käivitamiseks liiga külm, kuid teised funktsioonid on ikkagi saadaval.
4. **Error (Tõrge) LED:** põleb punaselt, kui esineb tagurpidi polaarsus.
5. **Pingeindikaator näitab,** millisele pingele GB500 parasjagu seatud on. 12V tähistab valge indikaatortuli, 24V tähistab sinine.
6. **Toitenupp** seadme sisse (On) ja välja (Off) lülitamiseks.
7. **Toite-LED:** indikaatortuli põleb valgelt, kui seade on sisse lülitatud (On).
8. **Voltmeeter:** sisseehitatud voltmeeter loeb paremaks diagnostikaks ja probleemituvastamiseks sõiduki aku pinget. Voltmeeter mõõdab automaatselt iga aku või akusüsteemi pinget, kui akuklambrid on ühendatud - ka siis, kui seade on välja lülitatud. Voltmeeter mõõdab pinget vahemikus ~3V~30V. Kui ühendatud aku on alla 3V, näitu ette ei tule. Sellisel juhul on võimalik, et akul on lisakoorem, nt esituled või AV konditsioneer, mis tuleks välja lülitada enne sõiduki käivitamist.
9. **Boost LED:** põleb valgelt, kui Boost on aktiveeritud. Kui seade on akuga korralikult ühendatud, tuvastab GB500 aku automaatselt ja läheb Boost-režiimi (LED hakkab valgelt vilkuma, kui manuaalne väljalülitamine on võimalik).
10. **Manuaalse väljalülitamise (Manual Override) LED:** põleb pidevalt punaselt, kui manuaalne väljalülitamine on võimaldatud.
11. **Manuaalse väljalülitamise nupu** aktiveerimiseks vajutage ja hoidke kolm (3) sekundit all. HOIATUS: Lülitab välja kaitse ja aktiveerib Boosti. Kasutada vaid juhul, kui aku pinge on tuvastamiseks liiga madal.
12. **Pingenupp** 12V ja 24V varieerimiseks.
13. **Valgusrežiimi nupp:** võimaldab muuta signaaltulede režiimi: 100% > 50% > 10% > SOS > Plinkiv (Blink) > Vilkuv (Strobe) > Väljas (Off).
14. **USB Out LED:** põleb valgelt kui USB Out funktsiooni on võimalik kasutada nii 12V kui ka 24V režiimil.
15. **12V Out LED** põleb valgelt, kui 12V Out funktsiooni saab kasutada vaid 12V režiimil.
16. **12V In LED** põleb valgelt, kui 12V In funktsiooni saab kasutada ainult 12V režiimil.
17. **Valgusrežiimi LED** põleb valgelt, kui indikaatortuli on sisse lülitatud (On), aga seade on välja lülitatud.

Veaotsing

Viga	Põhjus/Lahendus
 <p>Tõrge (Error) LED: Pidev punane</p> <p>Tõrge (Error) LED: Üksik (1) välgatus</p> <p>Tõrge (Error) LED: Kahekordne (2) välgatus</p> <p>Tõrge (Error): Kolmekordne (3) välgatus</p> <p>Tõrge (Error): Neljakordne (4) välgatus</p> <p>Tõrge (Error) LED: Viiekordne (5) välgatus</p>	<p>Tagurpidi polaarsus tuvastatud. / Muuta akuühendused.</p> <p>Akuklambritel tuvastatud lühis. / Eemaldada kõik koormused ja klambrid uuesti ühendada.</p> <p>Käivitamisaeg kauem kui kümme (10) minutit. / Seadme toide välja (Off) lülitada ja siis uuesti sisse (On).</p> <p>Seadme pealüliti tõrge. / Veenduge, et pinge on seadistatud õigesti kas 12V või 24V peale.</p> <p>Akukorpuse tõrge. / Seade välja lülitada ja võtta ühendust NOCO klienditoega.</p> <p>XGC OUT ülevool. / Eemaldage XGC OUT koormus, siis lülitage seadme toide välja (Off) ja seejärel uuesti sisse (On).</p>
 <p>Kuum LED: püsiv indikaator tuli</p> <p>Kuum LED: vilkuv</p> <p>Kuum LED: esmalt vilgub, seejärel kustuvad kõik LEDid</p>	<p>Seade on täielikult kasutusvalmis, kuid lähenemas temperatuuri ülempiirini. / Laske seadmel jahtuda.</p> <p>Seade on käivitamiseks liiga kuum, kuid teised funktsioonid on ikka saadaval. / Laske seadmel jahtuda.</p> <p>Seade on liiga kuum nii käivitamiseks kui ka teiste funktsioonide kasutamiseks. / Laske seadmel jahtuda ja viige see jahedamasse keskkonda.</p>
 <p>Külm LED: pidev</p> <p>Külm LED: vilkuv</p> <p>Külm LED: esmalt vilgub, seejärel kustuvad kõik LEDid</p>	<p>Seade on täielikult kasutusvalmis, kuid lähenemas temperatuuri alampiirini. / Laske seadmel üles soojeneda.</p> <p>Seade on käivitamiseks liiga külm, kuid teised funktsioonid on ikka saadaval. / Laske seadmel üles soojeneda.</p> <p>Seade on liiga külm nii käivitamiseks kui ka teiste funktsioonide kasutamiseks. / Laske seadmel üles soojeneda ja viige see soojemasse keskkonda.</p>
Tehniline märkus	Liitiumioonakud soojenevad ise üles, kui neid kasutada. Kui süttib tõrget näitav külm LED, proovige seadet tõrke kõrvaldamiseks ja aku soojendamiseks mitu korda käivitada. Tavaliselt aitab sellel puhul 3-4 käivitusest.

Tehniline kirjeldus

Seesmine aku:	Liitiumioon (Vatt-tund 266)
Tippvoolu tugevus:	20,000A
joules3S:	80,000+
Kasutustemperatuur:	-30°C kuni +50°C (-22°F kuni +122°F)
Laadimistemperatuur:	0°C kuni +40°C (32°F kuni +104°F)
Hoiustamistemperatuur:	-20°C kuni +50°C (-4°F kuni +122°F) (keskmine temperatuur)
USB (väljund):	Topelt 5V, 2,1A
12V (sisend):	12V, 5A
12V (väljund):	12V, 15A
Kaitseümbris:	IP65 (suletud portidega)
Jahutus:	Naturaalne konvektsioon
Mõõtmed (p x l x k):	12,25 x 8,25 x 2,25 tolli (311,15 x 209,55 x 57,15 mm)
Kaal:	19 naela

Garantii

NOCO Genius ühe (1) aastane limiteeritud garantii

NOCO Company ("NOCO") garanteerib, et see toode ("toode") on vaba defektidest materjali ja töö kvaliteedi osas ühe (1) aastase perioodi vältel ostukuupäevast ("Garantiiperiood"). Garantiiperioodi vältel raporteeritud defektid parandab NOCO omal äranägemisel või asendab defektiga tooted pärast tehnilise toe poolt teostatud ekspertiisi. Asendusosad ja -tooted on uued või hoolsalt kasutatud, võrreldavad funktsiooni ja töökindluse osas originaalsete varuosadega ja neile kehtib garantii vastavalt originaalsele garantiiperioodile.

NICO VASTUTUS SIINKOHAL ON PIIRATUD ASENDUSE VÕI PARANDUSEGA. VASTAVALT MAKSIMAALSELE SEADUSEGA LUBATUD MÄÄRALE, EI OLE NOCO VASTUTAV ÜHEGI TOOTE OSTJA EES EGA KOLMANDA OSAPOOLE EES ÜHEGI SPETSIAALSE, KAASUVA VÕI NÄIDISKAHJU

EEST, MUUHULGAS, KUID MITTE PIIRATUD JÄRGNEVAGA: SAAMATA JÄÄNUD KASUM, MISTAHES VIISIL TEKKNUD; VIGASTUSED, MISTAHES VIISIL TEKKNUD, ISEGI KUI NOCO OLI TEADLIK TAOLISTE KAHJUDE TEKKE VÕIMALIKKUSEST. SIIN TOODUD GARANTIID ASENDAVAD KÕIK TEISED GARANTIID, EKSPRESSEERITUD, KAUDSED, SEADUSEJÄRGSED VÕI MUUD, KAASAARVATUD JA ILMA PIIRANGUTETA, KAUDSED GARANTIID KAUBANDUSLIKKUSE JA SOBIVUSE KOHTA KINDLAKS EESMÄRGIKS, JA NEED MIS TEKIVAD TEGEVUSE, KASUTUSE VÕI OLE NOCO VASTUTAV ÜHEGI TOOTE OSTJA EES EGA KOLMANDA OSAPOOLE EES ÜHEGI SPETSIAALSE, KAUSUVA VÕI NÄIDISKAHJU EEST, MUUHULGAS, KUID MITTE PIIRATUD JÄRGNEVAGA: SAAMATA JÄÄNUD KASUM, MISTAHES VIISIL TEKKNUD; VIGASTUSED, MISTAHES VIISIL TEKKNUD, ISEGI KUI NOCO OLI TEADLIK TAOLISTE KAHJUDE TEKKE VÕIMALIKKUSEST. SIIN TOODUD GARANTIID ASENDAVAD KÕIK TEISED GARANTIID, EKSPRESSEERITUD, KAUDSED, SEADUSEJÄRGSED VÕI MUUD, KAASAARVATUD JA ILMA PIIRANGUTETA, KAUDSED GARANTIID KAUBANDUSLIKKUSE JA SOBIVUSE KOHTA KINDLAKS EESMÄRGIKS, JA NEED MIS TEKIVAD TEGEVUSE, KASUTUSE VÕI VAHETUSE PRAKTIKAS. JUHUL KUI MISTAHES KEHTIVAD SEADUSED KEHTESTAVAD GARANTIID, TINGIMUSED VÕI KOHUSTUSED MIDA EI SAA VÄLJA ARVATA VÕI MIDA EI SAA MODIFITSEERIDA, SIIS KÄESOLEV PARAFRAAF KEHTIB MAKSIMAALSEL VÕIMALIKUL MÄÄRAL MIDA ANTUD SEADUSANDLUS VÕIMALDAB.

Käesolev limiteeritud garantii on koostatud ainuüksi toote originaalse ostja kasuks NOCO-lt või NOCO poolt autoriseeritud edasimüüjalt või vahendajalt ja ei ole loovutatav ega edasikantav. Taotlemaks garantiid, peab ostja: (1) taotlema ja saama toote tagastuse numbriga (RMA) ja tagastuse asukohateabe NOCO klienditoelt e-maili teel aadressil support@no.co või helistades 1.800.456.6626; ja (2) saatma toote, muuhulgas RMA numbriga, ostutšeki või garantii tasu (tasu on vajalik vaid juhul, kui tšeki ei ole ette näidata) 45% ulatuses toote tootjapoolsest soovituslikust edasimüügi hinnast ("garantii tasu") tagastusaadressile. ÄRGE SAADKE TOODET ILMA ESMALT NOCO-LT SELLE TARVIS RMA NUMBRIGA TAOTLEMIST.

ORIGINAALNE OSTJA ON VASTUTAV (JA PEAB ETTE TASUMA) KOGU PAKENDAMISE JA TRANSPORDIGA SEONDUVAD KULUD TOOTE SAATMISEKS GARANTII TEENINDUSSE.

HOOLIMATA EELTOODUST, SEE LIMITEERITUD GARANTII ON KEHTETU JA EI KÄI TOODETE KOHTA MIS: (a) on väärkasutatud, väärkäsitatud, hooletult kasutatud, õnnetusjuhtumisse sattunud, ebakorrektselt hoiustatud või opereeritud ekstreemse voolu tingimustes, temperatuuri, šoki või vibratsiooni tingimustes, mis on väljaspool NOCO soovituslikku vahemikku turvaliseks ja efektiivseks kasutuseks; (b) ebakorrektselt installeeritud, opereeritud või säilitatud; (c) on modifitseeritud ilma spetsiaalse kirjaliku heakskiiduta NOCO-lt; (d) on lahti võetud, muudetud või parandatud kellegi muu kui NOCO poolt; (e) defektid mida raporteeriti saidi raporteeritud peale garantiiperioodi lõppu.

SEE LIMITEERITUD GARANTII EI KATA: (1) normaalset kulumist; (2) kosmeetilist kahju mis ei mõju funktsionaalsusele; või (3) tooteid millelt on puudu, millel on muudetud või millel on rikutud NOCO seeria number.

Teil on võimalik oma NOCO toode registreerida internetis: no.co/register. Kui teil tekib mistahes küsimusi seoses garantii või tootega, kontakteeruge NOCO klienditoega (e-mail ja telefoni number on toodud ülal) või kirjutage aadressil: The NOCO Company, 30339 Diamond Parkway, #102, Glenwillow, OH 44139 USA.

NOCO genius[®] BOOSTMAX[™]

GB500



DĖMESIO!

Naudojimas ir garantijos



PRIĖŠ NAUDODAMIESI GAMINIŲ, ATIDŽIAI PERSKAITYKITE IR PERPRASKITE VISĄ SAUGOS INFORMACIJĄ. Nesivadovaujant saugos nurodymais, galimas ELEKTROŠOKAS, SPROGIMAS, GAISRAS, o tai pavojinga SVEIKATAI, GYVYBEI ir TURTUI.



Elektrošokas. Šis gaminys - elektros prietaisas, galintis nukrėsti srove ir rimtai sužeisti. Nepjaustykite jungimo laidų. Nemerkite į vandenį, nesudrėkinkite.



Sprogimas. Neprižiūrimas, netinkamas arba pažeistas akumuliatorius prijungus gaminį gali sprogti. Nepalikite įjungto prietaiso be priežiūros. Nebandykite užvesti pažeisto arba užšalusio akumuliatoriaus. Junkite prietaisą tik prie nurodytos įtampos akumuliatorių. Naudokite gaminį gerai vėdinamose patalpose.



Gaisras. Šis gaminys - elektros prietaisas, kuris kaista ir gali nudeginti. Neuždenkite gaminio. Prietaisui veikiant nerūkykite ir nesinaudokite jokiais kibirkščiuojančiais daiktais. Nelaikykite gaminio netoli degių medžiagų.



Pavojus akims. Naudodamiesi gaminiu dėvėkite apsauginius akinius. Akumuliatorius gali sprogti, jo nuolauža gali sužeisti akį. Akumuliatoriaus rūgštis gali suerzinti akis ir odą. Jei akumuliatoriaus skysčio pateko į akis ar ant odos, nuskalaukite pažeistą vietą švariu tekančiu vandeniu ir tuoj pat kreipkitės į medikus.



Sprogios dujos. Dirbti su švinu ir rūgštimi pavojinga. Įprastiniu režimu veikiančiame akumuliatoriuje susidaro sprogios dujos. Norėdami išvengti sproginio, laikykitės visų saugos nurodymų, pateikiamų tiek akumuliatoriaus, tiek bet kokių su akumuliatoriumi naudojamų prietaisų gamintojo. Atkreipkite dėmesį į šių gaminių ir variklio ženklinius.

Lietuvos

Išsamesnius duomenis ir patarimus rasite:

www.no.co/support

Svarbūs saugos nurodymai

Kalifornijos valstijos geriamojo vandens saugos įstatymas. Akumuliatoriaus išvadų, gnybtų ir priedų sudėtyje yra švino ir kitų elementų, kurie Kalifornijos valstijoje laikomi sukeliančiais vėžį, apsigimimus ir kitus reprodukcinis sutrikimus. **Asmeninės atsargumo priemonės.** Naudokite gaminį tik pagal paskirtį. Kas nors turi būti netoliese, kad ištikus nelaimei išgirstų ar pamatytų ir ateitų į pagalbą. Po ranka turėkite vandens ir muilo užtiškusias akumuliatoriaus rūgščias nuplauti. Dirbdami su akumuliatoriumi dėvėkite apsauginius akinius ir darbinius drabužius. Pačiupinę akumuliatorių ar priedus būtina nusiplaukite rankas. Kraudami akumuliatorių nelaikykite ir nedėvėkite jokių metalinių daiktų: įrankių, laikrodžių, papuošalų. Nukritęs ant akumuliatoriaus metalas gali sukibirkščiuoti arba sukelti trumpą jungimą ir tapti elektrošoko, gaisro ar sprogimo priežastimi, o tai pavojinga sveikatai, gyvybei ir turtui. **Nepilnamečiai.** Jei Pirkėjas ketina leisti naudotis gaminiu nepilnamečiams, prieš perduodamas gaminį suaugęs pirkėjas įsipareigoja supažindinti nepilnamečių su išsamiomis naudojimo ir saugos taisyklėmis. To nepadaręs Pirkėjas prisiima visą atsakomybę ir pasižada nerekšti NOCO jokių pretenzijų dėl bet kokios tyčinės ar netyčinės nepilnamečio padarytos žalos. **Pavojus uždusti.** Prarijęs detalę vaikas gali uždusti. Nepalikite vaikų vienų prie gaminio ar bet kokių jo priedų. Šis gaminys nėra žaislas. **Priežiūra.** Rūpestingai prižiūrėkite gaminį. Sutrenktas prietaisas gali sugesti. Nenaudokite pažeisto (įskilęs korpusas, nutrūkė laidai, ir taip toliau) gaminio. Nenaudokite prietaiso su pažeistu maitinimo laidu. Drėgmė ir skysčiai gali pakenkti gaminiui. Nelaikykite gaminio ar jo detalį netoli bet kokio skysčio. Laikykite ir naudokite prietaisą sausoje aplinkoje. Neįjunkite prietaiso, jei jis sušlapo. Jei sušlapo jau veikiantis prietaisas, tuoj pat atjunkite jį nuo akumuliatoriaus ir nebandokite, kol išdžius. Neatjunginėkite gaminio tempdami už laidų. **Pakeitimai.** Nebandykite keisti, perdarinėti ar taisyti jokios prietaiso dalies. Ardydami prietaisą galite susižeisti, žūti arba prisidaryti nuostolių. Jei gaminys sugedo, nustojo veikti arba sušlapo, išjunkite jį ir susisieki su NOCO. Bet kokie gaminio pakeitimai panaikina garantiją. **Priedai.** Šis gaminys skirtas naudoti tik su NOCO priedais. NOCO neatsako už NOCO neapbruotų priedų naudotojo saugumą ar patirtą žalą. **Vietos parinkimas.** Neaptaškykite gaminio akumuliatoriaus rūgštimi. Nenaudokite prietaiso uždaroje arba prastai vėdinamoje patalpoje. Nedėkite akumuliatoriaus ant gaminio. Pasirūpinkite, kad laidų atsiktinai nepažeistų judančios automobilio dalys (gaubtas, durelės ir panašiai), judančios variklio dalys (ventiliatoriaus mentės, dirželiai, skriemuliai), nes tai pavojinga sveikatai ir gyvybei. **Darbinė temperatūra.** Šis prietaisas pritaikytas veikti esant aplinkos temperatūrai nuo -30o C iki +50o C. Neperženkite šių temperatūros ribų. Neužvedinėkite užšalusio akumuliatoriaus. Jei akumuliatorių per daug įkaista, nedelsdami išjunkite prietaisą. **Laikymas.** Nenaudokite ir nelaikykite prietaiso labai dulktose arba užterštose patalpose. Kad gaminys nenukristų, padėkite jį ant lygaus tvirto paviršiaus. Laikykite sausoje vietoje. Vidutinė temperatūra nuo -20o C iki +25o C. Jokių būdu nelaikykite aukštesnėje nei +80o C temperatūroje. **Suderinamumas.** Gaminys suderinamas tik su 12 V ir 24 V akumuliatorių sistemomis. Nenaudokite gaminio su kito tipo akumuliatoriumi. Užvedant akumuliatorių su kitomis cheminėmis savybėmis, galite susižeisti, mirti ar sugadinti turtą. Kreipkitės į akumuliatorių gamintoją prieš bandydami užvesti akumuliatorių. Neužveskite akumuliatoriaus, jeigu nesate tikri dėl akumuliatoriaus specifinės chemijos ar įtampos. **Baterija.** Įmontuotą prietaisą ličio jonų bateriją gali keisti tik NOCO, jos negalima mesti į bendrą buitinių atliekų konteinerį, ją būtina atiduoti perdirbti. Nebandykite keisti ličio jonų baterijos patys, nelieskite baterijos, jei ji pažeista ar iš jos sunkiasi skystis. Niekad nemeskite baterijos į buitines atliekas. Tai draudžia valstybiniai ir tarptautiniai gamtos saugos įstatymai bei reikalavimai. Visada pristatykite naudotas baterijas į artimiausią tokių atliekų surinkimo centrą. Jei baterija labai įkaitusi, nuo jos sklinda neįprastas kvapas, jei ji išsipūtusi, pratrūkusi arba dar kaip nors neįprastai atrodo arba veikia, tuoj pat išjunkite prietaisą ir susisieki su NOCO. **Baterijos pakrovimas.** Įkraukite gaminį su 12V DC adapteriu arba 56W XGC maitinimo adapteriu. Būkite atsargūs, naudodamiesi prastos kokybės maitinimo adapteriais, nes jie gali sukelti didelį elektros pavojų, dėl kurio gali būti sužalotas žmogus, įrenginys ir nuosavybė. Elektros smūgį esant drėgmei gali sukelti naudojimas sugadintais laidais, įkrovikliais arba įkraunant. „NOCO“ neatsako už naudotojo saugumą, kai naudojamas prietais ar reikmenimis, kurie nėra patvirtinti „NOCO“.

Įprasto naudojimo metu maitinimo adapteriai gali šilti, o ilgesnis sąlytis su oda gali sukelti kūno sužalojimą. Naudodamiesi adapteriais, užtikrinkite jų tinkamą vėdinimą. Norint užtikrinti maksimalų akumuliatoriaus tarnavimo laiką, nekraukite gaminio ilgiau nei savaitę, nes perkrova gali sutrumpinti akumuliatoriaus tarnavimo laiką. Laikui bėgant, nepanaudotas gaminys išsikraus ir jį reikės iš naujo įkrauti prieš naudojimą. Jeigu nenaudojate, išjunkite produktą iš maitinimo šaltinių. Naudokite produktą tik pagal numatytus tikslus. **Medicinos prietaisai.** Gaminyje yra magnetinių detalių, aplink jį gali susidaryti elektromagnetiniai laukai, kurie gali sutrikdyti stimuliatorių, defibriliatorių ir kitų medicininos priemonių darbą. Jei jums implantuotas stimulatorius ar bet koks kitas medicininis prietaisas, prieš naudodami gaminį pasitarkite su gydytoju. Jei įtariate, kad gaminys daro poveikį medicininio prietaiso veikimui, tuoj pat jį išjunkite ir kreipkitės į gydytoją. **Sveikatos būklė.** Jei nesveikuojate ir manote, kad gaminys gali pabloginti jūsų būklę (sukelti priepuolį, sąmonės aptemimą, regos sutrikimą, galvos skausmą ir taip toliau), prieš naudodami prietaisą pasitarkite su gydytoju. Įmontuoto galingo projektoriaus šviesa gali pakenkti akims. Pasikartojantys blyksniai epileptikams gali sukelti traukulių priepuolį, kuris gali baigtis rimtu sužeidimu ar mirtimi. **Šviesa.** Žiūrint tiesiai į projektorių galima negrįžtamai pakenkti akims. Gaminyje įmontuota fokusuotos šviesos šviesdiodžių lempa, įjungus didžiausiu galingumu skleidžianti ryškios šviesos pluoštą. **Valymas.** Prieš tvarkant ar valant prietaisą jį išjunkite. Jei gaminys sušlampa arba užsiteršia, tuoj pat nuvalykite ir nušluostykite. Šluostykite minkštu nepūkuotu (mikropluoštiniu) skudurėliu. Neleiskite drėgmei patekti į angas. **Sprogimo pavojus.** Laikykitės visų saugos nurodymų, paisykite ženklavimo. Nenaudokite gaminio galimai pavojingoje aplinkoje, pavyzdžiui, degalinėse ar patalpose, kur oras užterštas chemikalais arba grūdų, smėlio ar metalo dulkelėmis. **Pavojinga veikla.** Šis gaminys neskirtas naudoti ten, kur jo gedimas gali tapti sužeidimo, žūties ar stipraus aplinkos užteršimo priežastimi. **Radio trikdžiai.** Gaminys suprojektuotas, išbandytas ir sukonstruotas atsižvelgiant į radijo dažnių reglamentavimo įstatymus. Skleidžiamos bangos gali sutrikdyti kitų elektroninių prietaisų veikimą. **Modelio numeris: GB500.** Gaminys atitinka Federalinės ryšių komisijos Taisyklių 15 straipsnio reikalavimus. Naudojantis privalu žinoti dvi sąlygas: (1) šis prietaisas neturi skleisti kenksmingų trikdžių, ir (2) šis prietaisas turi būti atsparus bet kokiems pašaliniamis trikdžiams, taip pat ir trikdžiams, galintiems sukelti veikimo sutrikimus. PASTABA: Išbandžius gaminį nustatyta, kad jis atitinka A klasės reikalavimus skaitmeninei įrangai, išdėstyti 15 FRK Taisyklių straipsnyje. Šių apribojimų tikslas - pakankama apsauga nuo žalingų trikdžių, prietaisui veikiant komercinėse patalpose. Prietaisas skleidžia, priima ir gali spinduliuoti radijo bangas ir, montuojant bei naudojant ne pagal nurodymus, gali sutrikdyti radijo ryšį. Prietaisui veikiant gyvenamojoje aplinkoje gali sutrikti elektroninių prietaisų veikimas, ir tuo atveju naudotojui gali tekti panaikinti trikdžius savo sąskaita.

Naudojimas

1 žingsnis: Pakraukite GB500.

„GB500“ iš dalies būna išsikrovęs iš dėžės ir prieš naudojimą reikia pilnai įkrauti. Prijunkite „GB500“, naudodami 12V adapterį arba 56W XGC maitinimo adapterį prie 12V IN prievado. „GB500“ įkrauti 12V režimu. Prieš įkrovimą įsitikinkite, kad įtampos pasirinkimo rankenėlė yra 12V padėtyje. „XGC“ 12V IN prievadas įvertintas 12V, 5A, kad būtų užtikrintas saugus ir efektyvus vidinio ličio akumuliatoriaus įkrovimas. Atsižvelgiant į „FCC“ taisykles, rekomenduojame tuo pačiu metu įrenginio neįkrauti ir neiškrauti. Įkrovimo „GB500“ laikas skirsis priklausomai nuo iškrovos lygio ir naudojamo energijos šaltinio. Faktiniai rezultatai gali skirtis dėl akumuliatoriaus būklės.

Įkrovimo laikas: 6-8 val

12V nuolatinės srovės kabeliu arba kintamosios srovės adapteriu įkraukite visiškai iškrautą įrenginį. Įkrovimo laikas skirsis atsižvelgiant į išsikrovimo lygį.

25% 50% 75% 100%



Kraunant pakartotinai, vidinės baterijos įkrovimo lygį rodo šviesos diodai. Lėtai pulsuojančios „On“ ir „Off“ švieselės nustoja pulsuoti, kai įsijungia visi keturi krovimo indikatorius šviesdiodžiai. Baterijai pilnai pasikrovus, užsidega žalia 100% švieselė, o 25%, 50% ir 75% krovimo švieselės išsijungia. Žalia 100% švieselė kartais mirkteli, rodydama, kad vyksta palaikomasis krovimas.

12V nuolatinės srovės įkrovimas (60W).

„GB500“ turi būti įkraunamas 12V režimu. Prieš įkrovimą įsitikinkite, kad įtampos pasirinkimo rankenėlė yra 12V padėtyje. Prijunkite 12V kabelį prie „GB500“ 12V IN jungties, o kitą galą - į „Male“ 12V kištuką. Įjunkite į 12V maitinimo AUX kištuką (cigarečių degiklio jungtis).

Kintamosios srovės įkrovimas (56 W).

„GB500“ turi būti įkraunamas 12V režimu. Prieš įkrovimą įsitikinkite, kad įtampos pasirinkimo rankenėlė yra 12V padėtyje. Prijunkite „XGC“ 12V kabelį prie „GB500“ 12V IN jungties, o kitą 56W maitinimo adapterio galą - prie kintamosios srovės maitinimo (100-240 VAC sieninė išvestis).

Jūsų 12V įrenginių įjungimas.

„GB500“ turi būti 12V režime, kad įjungtumėte 12V OUT. Prijunkite 12V kabelį prie „GB500“ esančio 12V OUT prievado ir kitą galą prie „Female“ 12V kištuko (12V AUX / cigarečių degiklio prievado). Įjunkite bet kokį standartinį 12V prietaisą (iki 15A) su 12V kištuku ir įjunkite prietaisą „GB500“ su mygtuku „On“, kad pradėtumėte krauti įrenginį.

2 žingsnis: Prijunkite prie akumulatoriaus.

Atidžiai perskaitykite automobilio techninį pasą ir išdėmėkite nurodomas atsargumo priemones bei rekomenduojamus automobilio užvedimo būdus. Prieš prijungdami kroviklį įsitikinkite, kad akumulatoriaus įtampa ir cheminės savybės atitinka aprašytas kroviklio naudojimo instrukcijoje. „GB500“ skirtas tik 12 V ir 24 V švino rūgšties akumuliatorių sistemų užvedimui. Prieš prijungdami akumuliatorių patikrinkite akumulatoriaus sistemos įtampą. Įsitikinkite, kad įtampos pasirinkimo rankenėlė yra tinkamoje padėtyje (12 V arba 24 V), atitinkanti akumulatoriaus sistemos užvedimą. Prieš jungdami įsitikinkite, kad jūsų akumulatorius kaip tik toks. Niekada nekeiskite įtampos, kol įrenginys prijungtas prie akumulatoriaus. Įtampą galite keisti, kai įrenginys išjungtas. GB500 netinka jokio kito tipo akumuliatoriams. Teigiamas akumulatoriaus išvadas paprastai žymimas raidėmis POS, P arba pliuso ženklu (+). Neigiamas akumulatoriaus išvadas paprastai žymimas raidėmis NEG, N arba minuso ženklu (-). Nejunkite prie karbiuratoriaus, degalų padavimo žarnelių, plonų lakštinio metalo detalių. Žemiau pateikiami nurodymai neigiamai (dažniausiai pasitaikančiai) įžeminimo sistemai. Jei jūsų automobilio įžeminimo sistema teigiama (labai retai pasitaikanti), vykdykite šiuos nurodymus atvirkštine tvarka.

- 1) Prijunkite neigiamą (juoda) „Boost Max“ jungtį prie „GB500“ neigiamo prievado.
- 2) Prijunkite teigiamą (raudoną) „Boost Max“ jungtį prie teigiamo „GB500“ prievado.
- 3) Niekada nekeiskite įtampos, kol įrenginys prijungtas prie akumulatoriaus. Įtampą galite keisti, kai įrenginys išjungtas.
- 4) Prijunkite teigiamą (raudoną) „Boost Max“ jungtį prie teigiamo (POS, P, +) akumulatoriaus gnybto.
- 5) Prijunkite neigiamą (juoda) „Boost Max“ jungtį prie neigiamo (NEG, N, -) akumulatoriaus gnybto arba transporto priemonės važiuoklės. (Įžeminta važiuoklė gali būti netinkama paleidžiant stambius įrenginius.)
- 6) Atsijungus, atjunkite atvirkštinę seką, pirmiausia pašalinkite neigiamą (arba pirmiausia teigiamą teigiamoms įžemintoms sistemoms).

3 žingsnis: **Užveskite.**

1) Prieš bandydami užvesti automobilį įsitikinkite, kad visi elektros prietaisai (šviesos, radijo imtuvai, kondicionierius ir kt.) išjungti. Jei transporto priemonėje sumontuotas pagrindinis jungiklis, jis turi būti nustatytas „on“ (įjungta) padėtimi.

2) Paspauskite įjungimo mygtuką. Įsižiūrėkite visos švieselės; tai rodo, kad visi šviesos diodai veikia tinkamai. Jei prietaisą su akumuliatoriumi sujungėte teisingai, užsidegs balta įtampos švieselė. Jei gnybtai prijungti neteisingai, užsidegs raudona klaidos švieselė. Sukeiskite gnybtus vietomis, ir užsidegs balta įtampos švieselė. Balta švieselė reiškia, kad automobilį jau galima bandyti užvesti naudojant GB500.

3) Bandykite užvesti automobilį. Dažniausiai tai pasiseka iš karto. Kai kada prieš užvedant prijungus GB500 reikia palaukti apie 30 sekundžių. Jei automobilis iš karto neužsiveda, palaukite 20-30 sekundžių ir pabandykite dar kartą. Nebandykite sužadinti akumuliatoriaus daugiau kaip penkis (5) kartus per penkiolikos (15) minučių laiko tarpą. Prieš bandydami užvesti iš naujo leiskite GB500 penkiolika (15) minučių pailsėti.

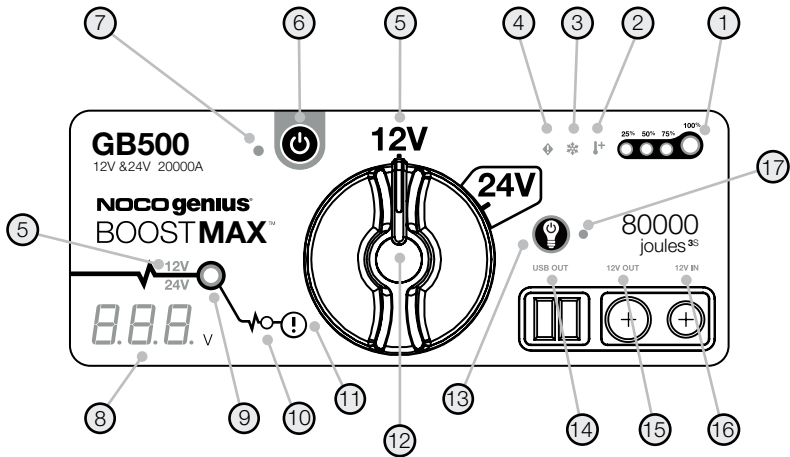
4) Kai variklis jau užvestas, atjunkite gnybtus nuo akumuliatoriaus ir nuimkite GB500.

Žemos įtampos akumuliatoriai ir rankinis valdymas.

GB500 skirtas sužadinti 12 voltų ir žemesnės įtampos (iki 2 voltų) švino-rūgšties akumuliatorius. Jei jūsų akumuliatoriaus įtampa žemesnė nei 2 voltai, įtampos švieselė rodys „Off“ („Išjungta“). Tai reiškia, kad prietaisas „nemato“ akumuliatoriaus. Jei reikia sužadinti žemesnės nei 2 voltų įtampos akumuliatorių, perjunkite GB500 į rankinį valdymą; tada galėsite įjungti („On“) sužadinimo režimą.




DĖMESIO!

YPAČ ATSARGIAI NAUDOKITĖS ŠIUO REŽIMU. ŠIS REŽIMAS SKIRTAS TIK 12 V ARBA 24 V ŠVINO RŪGŠTIES AKUMULIATORIAMS. ĮSITIKINKITE, KAD ĮTAMPOS PASIRINKIMO RANKENĖLĖ YRA TINKAMOJE PADĖTYJE (12 V ARBA 24 V), ATITINKANTI AKUMULIATORIAUS SISTEMOS UŽVEDIMĄ. ŠIS REŽIMAS ATJUNGIA IR APSAUGĄ NUO KIBIRKŠČIAVIMO, IR APSAUGĄ NUO POLIŲ SUSIKEITIMO. PRIEŠ PEREIDAMI PRIE RANKINIO VALDYMO ATKREIPKITE LABAI RIMTĄ DĖMESĮ Į POLIŠKUMĄ. NELEISKITE TEIGIAMAM IR NEIGIAMAM GNYBTUI LIESTIS TARPUSAVYJE, NES PRIETAISAS GALI PRADĖTI KIBIRKŠČIUOTI. ŠIUO ATVEJU TEKA LABAI STIPRI (IKI 20,000 AMPERŲ) SROVĖ, NETINKAMAI NAUDOJANT PRIETAISĄ GALINTI SUKELTI KIBIRKŠČIAVIMĄ IR NUDEGINTI. JEI NESATE TIKRI, KAD MOKĖSITĖ DIRBTI ŠIUO REŽIMU, NEBANDYKITE, VERČIAU KREIPKITĖS Į PROFESIONALUS.



- 1. Vidinio akumulatoriaus lygis** parodo vidinio akumulatoriaus įkrovos lygį.
- 2. Karšta LED** lemputė šviečia ryškiai raudonai; įrenginys yra visiškai veikiantis, tačiau artėja prie viršutinės temperatūros ribos. Mirksinti raudona; įrenginys yra per karštas, kad užvesti, bet yra dar ir kitų funkcijų.
- 3. Šalta LED** lemputė šviečia ryškiai mėlynai, įrenginys yra visiškai veikiantis, tačiau artėja žemesnės temperatūros ribos. Mirksinti mėlyna; įrenginys yra per šaltas, bet yra dar ir kitų funkcijų.
- 4. Klaida LED** lemputė šviečia raudonai, jeigu aptiktas atvirkštinis poliškumas.
- 5. Įtampos indikatorius** nurodo akumulatoriaus sistemos įtampą, į kurią šiuo metu įjungtas „GB500“. 12V šviečia baltai, kai yra 12V režime, 24V režime 24V šviečia mėlynai.
- 6. Maitinimo mygtukas** „Push“ (Paspausti), kad įjungti „On“ ir išjungti „Off“.
- 7. Maitinimo LED** šviečia baltai, kai įrenginys yra įjungtas „On“.
- 8. Voltmetras** Integruotas voltmetras nuskaito transporto priemonės akumulatoriaus įtampą, kad būtų patobulinta diagnostika ir trikčių šalinimas. Voltmetras automatiškai nuskaito visų akumuliatorių (arba akumuliatorių sistemos) įtampą, kai prijungti akumulatoriaus spaustukai - net jei įrenginio maitinimas išjungtas. Voltmetras nuskaitys įtampą nuo ~3V iki ~30V. Jeigu prijungtas akumulatoriaus yra žemesnis nei 3V, niekas nebus rodoma. Esant tokiai situacijai, akumuliatoriuje gali būti apkrova (-os), pvz., žibintai arba kintamosios srovės ventiliatorius, kuris turėtų būti išjungtas prieš bandant užvesti automobilį.
- 9. Stiprintuvas LED** lemputė šviečia baltai, kai įjungtas stiprintuvas. Jeigu įrenginys tinkamai prijungtas prie akumulatoriaus, „GB500“ automatiškai nustatys akumuliatorių ir įsijungs į stiprintuvo režimą (mirksi baltos spalvos LED lemputė, kai veikia rankinio valdymo funkcija).
- 10. Rankinio valdymo LED** lemputė šviečia ryškiai raudonai, kai įjungiamas rankinis valdymas.
- 11. Norėdami įjungti rankinio valdymo mygtuką**, paspauskite, palaikykite tris (3) sekundes. **ĮSPĖJIMAS. Išjungia saugos apsaugą ir rankiniu būdu įjungia stiprintuvą „On“.** Naudoti tik tada, kai akumulatorius yra aptinkamas per žemai.
- 12. Įtampos pasirinkimo rankenėlė** Pasukite, kad įjungtumėte 12 V ir 24 V režimą.
- 13. Šviesos režimo mygtukas** Perjungia darbo režimą per 7 šviesos režimus: 100% > 50% > 10% > SOS > Blink(Mirksėti) > Strobe > Off(Išjungta).
- 14. USB Out LED** lemputė šviečia baltai, „USB Out“ funkcija gali būti naudojama 12 V ir 24V režimuose.
- 15. 12V Out LED** lemputė šviečia baltai, 12V Out funkcija gali būti naudojama tik 12V režimu.
- 16. 12V In LED** lemputė šviečia baltai, 12V In funkcija gali būti naudojama tik 12V režimu.
- 17. Šviesos režimas LED** lemputė šviečia baltai, kai darbo režimas yra įjungtas „On“, bet įrenginys yra išjungtas.

Problemų sprendimas

Klaida	Priežastis / Sprendimas
<p> Klaida LED lemputė: ryškiai raudona</p> <p>Klaida LED lemputė: viena (1) blykstė</p> <p>Klaida LED lemputė: dviguba (2) blykstė</p> <p>Klaida LED lemputė: triguba (3) blykstė</p> <p>Klaida LED lemputė: keturguba (4) blykstė</p> <p>Klaida LED lemputė: penkiaguba (5) blykstė</p>	<p>Aptiktas atvirkštinis poliškumas. / Pakeiskite akumuliatoriaus jungtis.</p> <p>Akumuliatoriaus gnybtuose aptiktas trumpasis sujungimas. / Pašalinkite visas apkrovas, vėl prijunkite spaustukus prie akumuliatoriaus.</p> <p>Užvedimo laikas ilgesnis nei dešimt (10) minučių. / Išjunkite „Off“ prietaiso maitinimą, tada įjunkite maitinimą „On“.</p> <p>Vidinio pagrindinio jungiklio gedimas. / Užtikrinkite, ar įtampos pasirinkimo rankenėlė yra teisingai nustatyta 12V arba 24V padėtyje.</p> <p>Netinkamas akumuliatoriaus elementas, aptiktas įkrovimo metu. Įrenginyje maitinimas išjungtas, susisiekite su „NOCO“ pagalba.</p> <p>„XGC OUT“ viršsrovės klaida. / Pašalinkite apkrovą iš „XGC OUT“, tada išjunkite iš įrenginio maitinimą „Off“, tada įjunkite maitinimą „On“.</p>
<p> Karšta LED lemputė: ryški</p> <p>Karšta LED lemputė: mirksi</p> <p>Karšta LED lemputė: mirksi visos LED lemputės</p>	<p>Įrenginys visiškai veikia, tačiau artėja prie viršutinės temperatūros ribos. / Leiskite įrenginiui atvėsti.</p> <p>Įrenginys per karštas, kad užvesti, bet vis dar yra kitų funkcijų. / Leiskite įrenginiui atvėsti.</p> <p>Įrenginys per karštas, kad užvesti, bet vis dar yra kitų funkcijų. / Leiskite įrenginiui atvėsti ir nuneškite įrenginį į vėsesnę aplinką.</p>
<p> Šalta LED lemputė: ryški</p> <p>Šalta LED lemputė: mirksi</p> <p>Šalta LED lemputė: mirksi visos LED lemputės Off išjungta</p>	<p>Įrenginys visiškai veikia, tačiau artėja prie žemutinės temperatūros ribos. / Leiskite įrenginiui sušilti.</p> <p>Įrenginys per šaltas, kad užvesti, bet vis dar yra kitų funkcijų. / Leiskite įrenginiui sušilti.</p> <p>Įrenginys per šaltas, kad užvesti, bet vis dar yra kitų funkcijų. / Leiskite įrenginiui sušilti ir nuneškite įrenginį į šiltesnę aplinką.</p>
<p>Techninė pastaba</p>	<p>Jeif naudojate ličio jonų akumuliatorius, jie savaime išyla. Jeigu užsidega šalčio klaida LED lemputė, bandykite užvesti per kelis kartus, kad pašildyti akumuliatorių ir pašalinti klaidą. Paprastai užtenka 3-4 užvedimų, kad būtų galima sušildyti akumuliatorių ir pašalinti klaidą.</p>

Techninė Specifikacija

- Vidinė baterija:** Ličio jonų (Vatų valanda 266)
- Didžiausia leistina srovė:** 20,000A
- Energijos klasė:** 80,000+
- Darbinė temperatūra:** -30°C iki +50°C (-22°F iki +122°F)
- Krovimo temperatūra:** 0°C to +40°C (32°F iki +104°F)
- Laikymo temperatūra:** -20°C to +50°C (-4°F iki +122°F) (vidutinė temperatūra)
- USB (išvadas):** Dvigubas 5V, 2,1A
- 12V (įvadas):** 12V, 5A
- 12V (išvadas):** 12V, 15A
- Apsaugos klasė:** IP65 (kai dangteliai uždaryti)
- Vėsinimas:** Natūralūs srautai
- Matmenys (I x P x A):** 12,25 x 8,25 x 2,25 colio (311,15 x 209,55 x 57,15 mm)
- Svoris:** 19 svaro

Garantija

NOCO Genius ribota garantija vieniems (1) metams

NOCO kompanija ("NOCO") garantuoja, kad šis gaminys ("Gaminys") veiks be sutrikimų ir kokybiškai vienų (1) metų laikotarpiu nuo pirkimo datos ("Garantinis laikotarpis"). Garantiniu laikotarpiu pranešus apie gedimą, NOCO, atsižvelgiant į NOCO techninio skyriaus išvadą, savo nuožiūra arba sutaisys, arba pakeis Gaminį su trūkumais. Keičiamos detalės arba gaminiai bus nauji ar tinkami naudoti, paskirtimi ir veikimu atitinkantys pradinę detalę ir turintys garantiją iki pradinio Garantinio laikotarpio pabaigos.

ŠIUO TIKSLIAI APIBRĖŽIAMOS NOCO ATSAKOMYBĖS RIBOS: TAI KEITIMAS ARBA TAISYMAS. ĮSTATYMO RIBOSE, NOCO NEPRIVALO ATLYGINTI GAMINIO PIRKĖJUI AR BET KOKIEMS TRETIEMS ASMENIMS UŽ JOKIUS IŠIMTINIUS, NETIESIOGINIUS, ANTRINIUS AR BAUDINIUS NUOSTOLIUS, ĮSKAITANT (BET NEAPSIRIBOJANT) PRARASTĄ PELNĄ, SUGADINTĄ NUOSAVYBĘ AR TRAUMĄ, BET KOKIU BŪDU SUSIJUSIĄ SU GAMINIU, KAD IR KOKIA BŪTŲ PRIEŽASTIS, NET JEI NOCO IR ŽINOJO APIE TOKIŲ NUOSTOLIŲ TIKIMYBĘ. ČIA IŠDĖSTYTOS GARANTIJOS ATSTOJA BET KOKIAS KITAS GARANTIJAS, AIŠKIAS, NUMANOMAS, ĮSTATYMINES AR KITOKIAS, TAIP PAT IR, BE IŠLYGŲ, NUMANOMAS PREKINĖS IŠVAIZDOS IR TINKAMUMO TAM TIKRAM TIKSLUI, BEI KYLANČIAS IŠ DALYKINIŲ SANTYKIŲ, VARTOJIMO AR PREKYBOS TVARKOS. JEI KOKIE NORS GALIOJANTYS ĮSTATYMAI REIKALAUJA GARANTIJŲ, SĄLYGŲ AR ĮSIPAREIGOJIMŲ, KURIŲ NEĮMANOMA ATŠAUKTI AR PAKEISTI, ŠIS STRAIPSNIS TAIKOMAS MAKSIMALIU ĮMANOMU LYGIU, NUMATYTU TOKIUOSE ĮSTATYMUOSE.

Ši ribota garantija nustatyta išimtinai tiesioginio Gaminio pirkėjo iš NOCO ar iš NOCO pasirinkto mažmenininko ar platintojo naudai ir negali būti perleista ar perduota. Norėdamas pareikšti garantines pretenzijas, pirkėjas privalo: (1) užsisakyti ir gauti leidimo grąžinti prekę ("RMA") numerį ir pranešimą apie grąžinimo adresą ("Return Location") iš NOCO Pagalbos skyriaus elektroninio pašto adresu support@no.co arba paskambinti telefonu 1.800.456.6626; ir (2) išsiųsti Gaminį grąžinimo adresu kartu su RMA numeriu, kvitu ar garantine įmoka (įmokos reikalaujama tik tada, kai nepateikiamas kvitas), kuri lygi 45% suderintos su gamintoju mažmeninės Gaminio kainos ("Garantinė įmoka") [RMA bus nurodyta taikoma Garantinė įmoka suma]. NESIŪSKITE GAMINIO, KOL NEGAVOTE IŠ NOCO LEIDIMO GRĄŽINTI PREKĘ.

TIESIOGINIS PIRKĖJAS ATSAKO UŽ (IR PRIVALO APMOKĖTI IŠ ANKSTO) VISAS PAKAVIMO IR SIUNTIMO IŠLAIDAS, SUSIJUSIAS SU GAMINIŲ SIUNTIMU GARANTINIAM REMONTUI.

NEPAISANT VISKO, KAS IŠDĖSTYTA AUKŠČIAU, ŠI RIBOTA GARANTIJA NEBEGALIOJA IR NETAIKOMA GAMINIAMS, KURIE: (a) naudoti ne pagal paskirtį, neprižiūrimi, sugadinti piktybiškai arba netyčia, netinkamai laikyti arba naudoti viršijant įtampos, temperatūros, kratymo, vibracijos ribas, rekomenduojamas NOCO saugaus ir efektyvaus vartojimo sąlygose; (b) neteisingai sumontuoti, naudoti ar taisyti; (c) yra/buvo perdaryti negavus specialaus raštiško NOCO sutikimo; (d) buvo išardyti, perdirbti arba taisyti ne NOCO darbuotojų; (e) kai apie gedimus pranešta pasibaigus garantiniam laikotarpiui.

ŠI RIBOTA GARANTIJA NEAPIMA: (1) įprastinio nusidėvėjimo; (2) kosmetinių pažeidimų, kurie nekenkia prietaiso veikimui; arba (3) gaminių be NOCO serijos numerio, taip pat su pakeistu ar neįskaitomu serijos numeriu.

Nusipirkę NOCO gaminį galite užregistruoti internetu no.co/register. Jei turite klausimų apie garantiją ar gaminį, susisiekite su NOCO Pagalba (el. pašto adresas ir telefono numeris pateikti aukščiau) arba rašykite adresu: The NOCO Company, at 30339 Diamond Parkway, #102, Glenwillow, OH 44139 USA.

NOCO genius[®] BOOSTMAX[™]

GB500



BĪSTAMI!

Lietotāja rokasgrāmata un garantija



PIRMS ŠIS IERĪCES LIETOŠANAS IZLASIET UN IZPROTIET VISU DROŠĪBAS INFORMĀCIJU. Neievērojot šeit iekļautās drošības norādes, varat izraisīt **ELEKTRISKĀS STRĀVAS TRIECIENU, EKSPLOZIJU** vai **UGUNSGRĒKU**, kas var radīt **NOPIETNAS** vai **NĀVĒJOŠAS TRAUMAS** vai **ĪPAŠUMA BOJĀJUMU**.



Elektriskās strāvas trieciens. Šī ir elektroierīce, kas var izraisīt elektriskās strāvas triecienu un radīt nopietnu traumu. Nesagrieziet barošanas vadus. Negremdējiet ierīci ūdenī un neļaujiet tai kļūt mitra.



Eksplozija. Izmantojot šo ierīci neuzraudzītiem, nesaderīgiem vai bojātiem akumulatoriem, varat izraisīt to eksploziju. Kamēr ierīci lietojat, neatstājiet to bez uzraudzības. Neizmantojiet palaidēju bojātam vai sasalušam akumulatoram. Izmantojiet ierīci vienīgi ieteiktā sprieguma akumulatoriem. Izmantojiet ierīci labi vēdināmās telpās.



Ugunsdrošība. Šī ir elektroierīce, kas izstaro siltumu un var radīt apdegumus. Nenosedziet ierīci. Kamēr izmantojat ierīci, nesmēķējiet un nelietojiet nekādu elektrisku dzirksteļu vai liesmu avotu. Sargiet ierīci no viegli uzliesmojošiem materiāliem.



Acu traumas. Kad lietojat šo ierīci, izmantojiet acu aizsarglīdzekļus. Akumulatori var eksplodēt un radīt lidojošas daļiņas. Akumulatoru skābe var izraisīt acu un ādas kairinājumu. Ja piesārņojums ir nonācis acīs vai uz ādas, nekavējoties noskalojiet skarto vietu ar tīru tekošu ūdeni un sazinieties ar toksikoloģijas kontroles centru.



Eksplozīvas gāzes. Darbs svina-skābes akumulatora tuvumā ir bīstams. Akumulatori parastas akumulatora darbības laikā izdala eksplozīvas gāzes. Lai mazinātu akumulatora eksplozijas risku, ievērojiet visas drošības informācijas norādes un akumulatora ražotāja un jebkuras lietošanai akumulatora tuvumā paredzētas ierīces ražotāja instrukcijas. Pārskatiet brīdinājuma marķējumus uz šīm ierīcēm un dzinēja.

Latviski

Lai iegūtu plašāku informāciju un atbalstu, dodieties uz:

www.no.co/support

Svarīgi norādījumi par drošību

Kalifornijas pavalsts 1986. gada Likums par dzeramā ūdens drošumu un tā toksiskuma kontroli. Akumulatora spaiļes, pieslēgšanas spaiļes un saistītie piederumi satur ķīmiskas vielas, tostarp svīnu. Šie materiāli Kalifornijas pavalstī ir atzīti par tādiem, kas izraisa vēzi un iedzimtus defektus vai rada citu reproduktīvu bīstamību. **Personiski piesardzības pasākumi.** Izmantojiet ierīci vienīgi tai paredzētajā nolūkā. Kādai personai jāatrodas jūsu balss dzirdamības attālumā vai pietiekami tuvu, lai ārkārtas situācijā varētu jums palīdzēt. Nodrošiniet tuvumā tīru ūdeni un ziepes gadījumam, ja nonākat saskarē ar akumulatora skābi. Strādājot ar akumulatora tuvumā, lietojiet pilnīgu acu aizsarglīdzekļus un valkājiet aizsargapgērbus. Vienmēr pēc darba ar akumulatoriem un saistītiem materiāliem mazgājiet rokas. Strādājot ar akumulatoriem, neizmantojiet un nevalkājiet metāla priekšmetus, piemēram, darbarīkus, pulksteņus vai rotaslietas. Ja metāls nokrīt uz akumulatora, tas var izraisīt dzirksteles vai īssavienojumu, kā rezultātā var rasties elektriskās strāvas trieciens, ugunsgrēks vai eksplozija, radot smagu vai nāvējošu traumu vai īpašuma bojājumu. **Nepilngadīgas personas.** Ja "pircējs" iegādājas ierīci, paredzot, ka to lietos nepilngadīga persona, pieaugušais pircējs apņemas pirms ierīces lietošanas iepazīstināt nepilngadīgo personu ar precīzu instrukciju un brīdinājumiem. Pretējā gadījumā "pircējs" uzņemas pilnīgu atbildību un piekrīt atļūdināt "NOCO" par jebkurām sekām, ja nepilngadīga persona ierīci lieto neparedzētā nolūkā vai nepareizi. **Aizrišanās bīstamība.** Piederumi var radīt aizrišanās risku bērniem. Neatstājiet bērnus bez uzraudzības ierīces vai piederumu tuvumā. Ierīce nav rotālieta. **Darbības ar ierīci.** Rīkojieties ar ierīci uzmanīgi. Triecieni var bojāt ierīci. Neizmantojiet bojātu ierīci, tostarp (bet ne tikai), ja tai ir ieplaisājis korpuss vai bojāti kabeli. Neizmantojiet ierīci, ja barošanas vads ir bojāts. Mitrums un šķidrums var bojāt ierīci. Nestrādājiet ar ierīci vai elektriskām sastāvdaļām šķidrums tuvumā. Glabājiet un lietojiet ierīci sausā vietā. Nelietojiet ierīci, ja tā ir kļuvusi mitra. Ja ierīci jau lietojāt un tā kļūst mitra, nekavējoties atvienojiet to no akumulatora pārtrauciet lietot. Neatvienojiet ierīci, velkot aiz kabeliem. **Pārveidojumi.** Nemēģiniet mainīt, pārveidot vai remontēt kādu ierīces daļu. Ierīces izjaukšana var izraisīt smagu vai nāvējošu traumu vai bojāt īpašumu. Ja ierīce ir bojāta, darbojas ar traucējumiem vai nonāk saskarē ar šķidrumu, pārtrauciet to lietot un sazinieties ar "NOCO". Jebkuri ierīces pārveidojumi anulēs garantiju. **Piederumi.** Šī ierīce ir apstiprināta lietošanai vienīgi ar "NOCO" piederumiem. "NOCO" neuzņemas atbildību par lietotāja drošību vai bojājumu, izmantojot "NOCO" neapstiprinātus piederumus. **Novietojums.** Neļaujiet akumulatora skābei nonākt saskarē ar ierīci. Neizmantojiet ierīci noslēgtās telpās vai vietā ar ierobežotu ventilāciju. Nenovietojiet akumulatoru uz ierīces virsmas. Savienotājus izvietoiet tā, lai novērstu to nejaušu bojāšanu, ko var izraisīt kustīgas transportlīdzekļa daļas (tostarp pārsēgs un durvis) vai darbībā esošas dzinēja daļas (tostarp ventilatora lāpstiņas, siksnas un skriemeļi), vai tādas situācijas rašanos, kas var izraisīt smagu vai nāvējošu traumu. **Darba temperatūra.** Šī ierīce ir paredzēta darbam vides temperatūrā no -30 °C līdz 50 °C. Neizmantojiet ierīci ārpus norādītā temperatūras diapazona. Neizmantojiet palaidēju sasalušam akumulatoram. Ja akumulators pārāk sakarst, nekavējoties pārtrauciet ierīci lietot. **Glabāšana.** Neizmantojiet vai neglabājiet ierīci vietās, kurās ir augsta putekļu vai gaisā izdalītu vielu koncentrācija. Glabājiet ierīci uz līdzenas, drošas virsmas, lai tā nenokristu. Glabājiet ierīci sausā vietā. Glabāšanas temperatūra ir no -20 °C līdz 25 °C (vidējā temperatūra). Nekādā gadījumā temperatūra nedrīkst pārsniegt 80 °C. **Saderība.** Šis produkts ir saderīgs vienīgi ar 12 voltu un 24 voltu svina-skābes akumulatoru sistēmām. Nemēģiniet izmantot ierīci cita veida akumulatoram. Izmantojot ārējo strāvas avotu akumulatoram ar citu ķīmisko sastāvu, varat izraisīt smagu vai nāvējošu traumu vai bojāt īpašumu. Pirms mēģināt lietot ārējo strāvas avotu akumulatoram, sazinieties ar akumulatora ražotāju. Neizmantojiet ārējo strāvas avotu akumulatoram, ja skaidri nezināt akumulatora ķīmisko sastāvu vai spriegumu. **Akumulators.** Ierīcē iebūvēto litija-jonu akumulatoru drīkst mainīt vienīgi "NOCO" pārstāvis, un akumulators utilizācijai ir jānodod atsevišķi no māsaimniecības atkritumiem. Nemēģiniet akumulatoru mainīt saviem spēkiem un neveiciet nekādas darbības ar

tādu litija-jonu akumulatoru, kurš ir bojāts vai kuram ir noplūde. Nekādā gadījumā neizmetiet akumulatoru mājāsaimniecības atkritumos. Akumulatoru nodošana mājāsaimniecības atkritumos ir nelikumīga saskaņā ar pavalsts un federālajiem vides tiesību aktiem un noteikumiem. Izlietos akumulatorus vienmēr nogādājiet vietējā akumulatoru savākšanas centrā. Ja ierīces akumulators ir ārkārtīgi karsts, izdala smaku, ir deformēts, bojāts vai tam ir novērojams kas neparasts, nekavējoties pārtrauciet ierīci izmantot un sazinieties ar "NOCO". **Akumulatora uzlāde.** Uzlādējiet produktu, izmantojot komplektā iekļauto 12 V līdzstrāvas adapteru vai 56 W XGC maiņstrāvas adapteru. Uzmanieties, izmantojot zemas kvalitātes strāvas adapterus, jo tie var radīt nopietnus elektroiekārtas riskus, izraisot traumu personām vai bojājot ierīci vai īpašumu. Izmantojot bojātus kabelus vai uzlādes ierīces vai veicot uzlādi mitrumā, varat izraisīt elektrotriecienu. "NOCO" neuzņemas atbildību par lietotāja drošību, ja tiek izmantoti "NOCO" neapstiprināti piederumi vai pievadi. Parastas lietošanas laikā strāvas adapteri var sakarst, un tā ilgāka saskare ar ādu var radīt ķermeņa traumu. Izmantojot strāvas adapterus, vienmēr nodrošiniet ap tiem pietiekamu ventilāciju. Lai maksimāli pagarinātu akumulatora lietošanas laiku, centieties neuzlādēt ierīci biežāk kā reizi nedēļā, jo pārmērīga uzlāde saīsina akumulatora lietošanas laiku. Ja ierīci kādu laiku nelieto, tā izlādējas, tādēļ pirms lietošanas ierīce ir jāuzlādē. Kad ierīci izmantojat, atvienojiet to no strāvas avota. Izmantojiet šo ierīci tikai tai paredzētajos nolūkos. **Medicīniskas ierīces.** Palaidējs var izstarot elektromagnētisko lauku. Tajā ir magnētiskas sastāvdaļas, kuras var traucēt elektrokardiosimulatoru, defibrilatoru vai citu medicīnisku ierīču darbību. Šāds elektromagnētiskais lauks var traucēt elektrokardiosimulatoru vai citu medicīnisku ierīču darbību. Ja izmantojat kādu medicīnisku ierīci, tostarp elektrokardiosimulatoru, pirms šī palaidēja lietošanas konsultējieties ar savu ārstu. Ja rodas aizdomas, ka palaidējs traucē medicīniskās ierīces darbību, nekavējoties pārtrauciet to lietot un konsultējieties ar ārstu. **Medicīniskis stāvoklis.** Ja jums ir tāds medicīniskis stāvoklis, kuru ierīce, jūsu prāt, var ietekmēt, tostarp (bet ne tikai) epileptiskas lēkmes, īslaicīgi samaņas zudumi, acu pārpūle vai galvassāpes, pirms ierīces lietošanas konsultējieties ar savu ārstu. Iebūvētā jaudīgā lukturiša izmantošana ietver jutīguma pret gaismu risku. Lukturiša izmantošana stroboskopiskajā režīmā vai izraisīt lēkmes personām ar fotojutīgu epilepsiju, radot nopietnu vai nāvējošu traumu. **Lukturītis.** Skatīšanās tieši lukturīti var izraisīt neatgriezenisku acs traumu. Ierīce ir aprīkota ar jaudīgu iepriekš fokusētu gaismas diodes lukturīti, kas augstākajā iestatījumā izstaro spēcīgu gaismu. **Tīrīšana.** Pirms apkopes vai tīrīšanas izslēdziet ierīci. Ja ierīce nonāk saskarē ar šķidrumu vai jebkādu piesārņojumu, nekavējoties notīriet to un nožāvējiet. Izmantojiet mīkstu, plūksnas nesaturošu (mikrošķiedru) drāniņu. Neļaujiet mitrumam nonākt atverēs. **Eksplozīva vide.** Ievērojiet visas norādes un instrukcijas. Neizmantojiet ierīci vidē, kurā ir eksplozijas bīstamība, tostarp degvielas uzpildes zonās vai vietās, kurās ir ķīmiskas vielas vai tādas daļiņas kā graudi, putekļi vai metāla pulveri. **Augsta riska darbības.** Šī ierīce nav paredzēta lietošanai gadījumos, kad tās kļūme var izraisīt smagu vai nāvējošu traumu vai nopietnu kaitējumu videi. **Radiofrekvenču traucējumi.** Ierīce ir izstrādāta, pārbaudīta un ražota atbilstoši radiofrekvenču starojuma noteikumu prasībām. Šāds ierīces starojums var nelabvēlīgi ietekmēt citu elektronisku ierīču darbību, veicinot to disfunkciju. **Modeļa numurs: GB500.** Šī ierīce atbilst FCC (Federālās sakaru komisijas) noteikumu 15. daļas prasībām. Lietošana ir pakļauta šādiem diviem nosacījumiem: 1) šī ierīce nedrīkst radīt kaitīgus traucējumus, un 2) šai ierīcei ir jābūt izturīgai pret uztvertajiem ārējiem traucējumiem, tostarp traucējumiem, kas var izraisīt nevēlamu darbību. **PIEZĪME.** Šī ierīce tika pārbaudīta un atzīta par atbilstošu visiem A klases digitālajām ierīcēm noteiktajiem ierobežojumiem saskaņā ar FCC noteikumu 15. sadaļu. Šie ierobežojumi ir paredzēti, lai nodrošinātu pietiekamu aizsardzību pret kaitīgiem traucējumiem, kad ierīce tiek izmantota komerciālā vidē. Šī ierīce ģenerē, izmanto un var izstarot radiofrekvenču enerģiju, tādēļ gadījumā, ja ierīce nav uzstādīta un lietota saskaņā ar rokasgrāmatā minētajām norādēm, tā var radīt radiosakariem nepieļaujamus traucējumus. Šīs ierīces lietošana dzīvojamās telpās var radīt nelabvēlīgu iedarbību, un šādā gadījumā lietotājam būs jānovērš traucējumi, pašam sedzot izdevumus.

Kā lietot

1. darbība. Uzlādējiet ierīci GB500.

Ierīce GB500 no rūpnīcas tiek piegādāta daļēji uzlādēta, un pirms lietošanas tā ir pilnībā jāuzlādē. Pievienojiet ierīci GB500, izmantojot komplektā iekļauto 12 V adapteru vai 56 W XGC maiņstrāvas adapteru 12 V ieejas pieslēgvietā. Lai uzlādētu ierīci GB500, tai ir jābūt 12 V režīmā. Pirms uzlādes pārbaudiet, vai sprieguma atlases poga ir 12 V pozīcijā. XGC 12 V ieejas pieslēgvietas nominālais strāvas stiprums ir 12 V, 5 A, lai panāktu drošu un efektīvu iebūvētā litija akumulatora uzlādi. Saskaņā ar FCC noteikumiem mēs iesakām neuzlādēt un neizlādēt ierīci vienlaikus. Ierīces GB500 atkārtotas uzlādes laiks atšķirsies atkarībā no izlādes līmeņa un izmantotā strāvas avota. Faktiskie rezultāti var atšķirties atkarībā no akumulatora stāvokļa.

25% 50% 75% 100%



Atkārtotas uzlādes laikā iebūvētā akumulatora uzlādes līmeni norāda uzlādes gaismas diodes. Gaismas diodes lēnām mirgo, iedegoties un nodziestot, un paliek degam, līdz visas četras uzlādes gaismas diodes deg. Kad akumulators ir pilnīgi uzlādēts, zaļā 100 % uzlādes gaismas diode deg, bet 25 %, 50 % un 75 % uzlādes gaismas diodes nodziest. Zaļā 100 % uzlādes gaismas diode palaikam mirgo, norādot, ka notiek uzturēšanas uzlāde.

12 V līdzstrāvas uzlāde (60 W).

Lai uzlādētu ierīci GB500, tai ir jābūt 12 V režīmā. Pirms uzlādes pārbaudiet, vai sprieguma atlases poga ir 12 V pozīcijā. Pievienojiet 12 V kabeli pie 12 V ieejas pieslēgvietas ierīcē GB500, bet otru galu pie viršišķā 12 V spraudņa. Iespraudiet barošanas 12 V palīgierīču kontaktligzdā (piesmēķētāja kontaktligzdā).

Mainstrāvas uzlāde (56 W).

Lai uzlādētu ierīci GB500, tai ir jābūt 12 V režīmā. Pirms uzlādes pārbaudiet, vai sprieguma atlases poga ir 12 V pozīcijā. Pievienojiet XGC 12 V kabeli pie 12 V ieejas pieslēgvietas ierīcē GB500, bet 56 W maiņstrāvas adaptera otru galu pie maiņstrāvas barošanas avota (100–240 V maiņstrāvas sienas kontaktligzdas).

12 V ierīču pievienošana barošanas avotam.

Lai iespējotu 12 V iezīju, ierīcei GB500 ir jābūt 12 V režīmā. Pievienojiet 12 V kabeli pie 12 V iezīes pieslēgvietas ierīcē GB500, bet otru galu pie sievišķā 12 V spraudņa (12 V palīgierīču/piesmēķētāja kontaktligzdas). Pievienojiet barošanas avotam jebkuru standarta 12 V ierīci (līdz 15 A) ar 12 V spraudni un ieslēdziet ierīci GB500, lai sāktu savas ierīces barošanu.

2. darbība. Pievienojiet pie akumulatora.

Uzmanīgi izlasiet un izprotiet transportlīdzekļa īpašnieka rokasgrāmatā iekļautos īpašos piesardzības pasākumus un ieteiktās metodes transportlīdzekļa iedarbināšanai no ārēja strāvas avota. Pirms šīs ierīces lietošanas pārbaudiet akumulatora spriegumu un ķīmisko sastāvu, skatot informāciju akumulatora īpašnieka rokasgrāmatā. Ierīce GB500 ir paredzēta vienīgi ar 12 voltu un 24 voltu svina-skābes akumulatoru sistēmu iedarbināšanai no ārēja strāvas avota. Pirms akumulatora pievienošanas pārbaudiet akumulatoru sistēmas spriegumu. Pārbaudiet, vai sprieguma atlases poga ir pareizā pozīcijā (12 V vai 24 V) atbilstoši akumulatoru sistēmai, kura ir jāiedarbina no ārēja strāvas avota. Nedrīkst mainīt spriegumu, kamēr bloks ir pievienots akumulatoram. Mainīt spriegumu drīkst tikai izslēgtam blokam. Pirms pievienošanas akumulatoram pārbaudiet, vai jums ir 12 voltu svina-skābes akumulators. Ierīce GB500 nav paredzēta cita veida akumulatoriem. Nosakiet pareizo akumulatora spaiļu polaritāti. Akumulatora pozitīvā spaiļi parasti ir

Atkārtotas uzlādes laiks: 6–8 st.

12 V līdzstrāvas kabeļa vai maiņstrāvas strāvas adaptera izmantošana, lai atkārtoti uzlādētu pilnīgi izlādējušos ierīci. Uzlādes laiks atšķirsies atkarībā no izlādes līmeņa.

apzīmēta ar šādiem burtiem vai simbolu (POS, P, +). Akumulatora negatīvā spaiļe parasti ir apzīmēta ar šādiem burtiem vai simbolu (NEG, N, -). Neveidojiet jebkādu savienojumu ar karburatoru, degvielas padeves caurulēm vai plānām, lokšņveida metāla daļām. Tālāk sniegtās norādes ir paredzētas sistēmai ar negatīvā pola zemējumu (biežāk izmantotā sistēma). Ja transportlīdzeklim ir sistēma ar pozitīvā pola zemējumu (reti izmantota), izpildiet turpmākās norādes pretējā secībā.

1. Pievienojiet negatīvo (melno) Boost Max savienotāju pie ierīces GB500 negatīvās pieslēgvietas.
2. Pievienojiet pozitīvo (sarkano) Boost Max savienotāju pie ierīces GB500 pozitīvās pieslēgvietas.
3. Pirms spaiļu pievienošanas noteikti jānotīra termināļi. PIEZĪME: Kļūdainais savienojums vai netīri termināļi var radīt dūmus
4. Pievienojiet pozitīvo (sarkano) Boost Max savienotāju pie akumulatora pozitīvās (POS, P, +) spaiļes.
5. Pievienojiet negatīvo (melno) Boost Max savienotāju pie akumulatora negatīvās (NEG, N, -) spaiļes vai transportlīdzekļa šasijas. (Zemējums pie šasijas var izrādīties nepiemērots lielu programmu ātrai palaišanai.)
6. Veicot atvienošanu, izpildiet darbības pretējā secībā, vispirms noņemot negatīvo spaiļi (vai vispirms pozitīvo sistēmai ar pozitīvā pola zemējumu).

3. darbība. Iedarbināšana no ārēja strāvas avota.

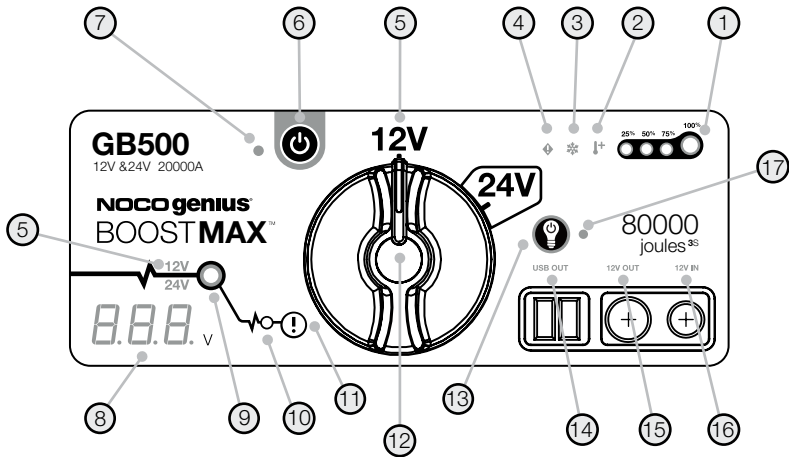
1. Pirms mēģināt iedarbināt transportlīdzekli no ārēja strāvas avota, pārbaudiet, vai visas tā elektroierīces (priekšējie lukturi, radio, gaisa kondicionieris u. c.) ir izslēgtas. Ja transportlīdzeklis ir aprīkots ar galveno pārslēgu, pagrieziet to stāvoklī "ieslēgts".
2. Lai sāktu iedarbināšanu no ārēja strāvas avota, nospiediet palaidēja ieslēgšanas/izslēgšanas pogu. Visas gaismas diodes mirgos, norādot, kā tās visas darbojas pareizi. Ja ierīce akumulatoram ir pareizi pievienota, degs baltā forsētās uzlādes gaismas diode. Ja akumulatora spaiļes ir pievienotas pretēji, degs sarkanā kļūdas gaismas diode. Lai novērstu šo kļūdu, apmainiet savienojumu vietām, un iedegsies baltā forsētās uzlādes gaismas diode. Baltā forsētās uzlādes gaismas diode deg, kad ierīce GB500 ir gatava iedarbināt transportlīdzekli, izmantojot ārēju strāvas avotu.
3. Mēģiniet iedarbināt transportlīdzekli. Lielākā daļa transportlīdzekļu tiks iedarbināti nekavējoties. Dažiem transportlīdzekļiem var būt nepieciešams, lai ierīce GB500 ir pievienota līdz 30 sekundēm pirms iedarbināšanas. Ja transportlīdzekli nevarat tūlīt iedarbināt, pagaidiet 20–30 sekundes un mēģiniet vēlreiz. Nemēģiniet iedarbināt transportlīdzekli ar palaidēju vairāk kā 5 (piecas) reizes pēc kārtas 15 (piecpadsmit) minūšu laikā. Ļaujiet ierīcei GB500 atpūsties 15 (piecpadsmit) minūtes, pirms mēģināt vēlreiz iedarbināt transportlīdzekli ar palaidēju.
4. Kad transportlīdzeklis ir iedarbināts, atvienojiet akumulatora spaiļes un noņemiet ierīci GB500.

Zemsprieguma akumulatori un manuāla darbība.

Ierīce GB500 ir paredzēta iedarbināšanai no ārēja strāvas avota svina-skābes akumulatoriem ar spriegumu no 12 voltiem līdz 2 voltiem. Ja akumulatora spriegums ir zem 2 voltiem, baltā forsētās uzlādes gaismas diode nedegs. Tas norāda, ka ierīce GB500 nevar noteikt akumulatoru. Ja palaidējs ir jāizmanto akumulatoram ar spriegumu zem 2 voltiem, jāizmanto manuāla vadība, kas ļauj forsētā ieslēgt ārēja strāvas avota iedarbināšanas funkciju.




UZMANĪBU!

IZMANTOJIET ŠO REŽĪMU ĪPAŠI PIESARDZĪGI. ŠIS REŽĪMS IR PAREDZĒTS VIENĪGI 12 VOLTU VAI 24 VOLTU SVINA-SKĀBES AKUMULATORIEM. PĀRBAUDIET, VAI SPIEGUMA ATLASĒS POGA IR PAREIZĀ POZĪCIJĀ (12 V VAI 24 V) ATBILSTOŠI AKUMULATORU SISTĒMAI, KURA IR JĀIEDARBINA NO ĀRĒJA STRĀVAS AVOTA. GAN AIZSARDZĪBA PRET DZIRKSTELĀM, GAN PRETĒJAS POLARITĀTES AIZSARDZĪBAS FUNKCIJA IR ATSPĒJOTA. PIRMS ŠĪ REŽĪMA IZMANTOŠANAS ĪPAŠU UZMANĪBU PIEVĒRSIET AKUMULATORA POLARITĀTEI. NEPIELĀUJIET POZITĪVĀS UN NEGATĪVĀS AKUMULATORA SPAIĻES SAVSTARPĒJU SASKARŠANOS VAI SAVIENOJUMU, JO TIKS RADĪTAS DZIRKSTELES. ŠAJĀ REŽĪMĀ TIEK IZMANTOTA LOTI STIPRA STRĀVA (LĪDZ 20,000 A), KAS VAR IZRAISĪT DZIRKSTELES UN LIELU KARSTUMU, JA REŽĪMU NELIETO PAREIZI. JA NEJŪTĀTIES DROŠI ATTIECĪBĀ UZ ŠĀ REŽĪMA LIETOŠANU, NEMĒĢINIET TO DARĪT UN LŪDZIET PROFESIONĀLU PALĪDZĪBU.



- 1. Iebūvētā akumulatora līmenis.** Rāda iebūvētā akumulatora uzlādes līmeni.
- 2. Karstuma gaismas diode.** Deg sarkanā krāsā: ierīce ir pilnīgi izmantojama, bet tuvojās augšējai temperatūras robežai. Mirgo sarkanā krāsā: ierīce ir pārāk karsta, lai izmantotu kā ārēju strāvas avotu, taču citas funkcijas joprojām ir pieejamas.
- 3. Aukstuma gaismas diode.** Deg zilā krāsā: ierīce ir pilnīgi izmantojama, bet tuvojās apakšējai temperatūras robežai. Mirgo zilā krāsā: ierīce ir pārāk auksta, lai izmantotu kā ārēju strāvas avotu, taču citas funkcijas ir pieejamas.
- 4. Kļūdas gaismas diode.** Deg sarkanā krāsā, ja noteikta pretēja polaritāte.
- 5. Sprieguma indikators.** Rāda akumulatoru sistēmas spriegumu, kādam ierīce GB500 pašlaik ir iestatīta. 12 V deg baltā krāsā 12 V režīmā, 24 V deg zilā krāsā 24 V režīmā.
- 6. Ieslēgšanas/izslēgšanas poga.** Nospiediet, lai ieslēgtu un izslēgtu ierīci.
- 7. Barošanas gaismas diode.** Deg baltā krāsā, kad ierīce ir ieslēgta.
- 8. Voltmetrs.** Lai uzlabotu diagnostiku un novērstu problēmas, iebūvētais voltmeters nolasa transportlīdzekļa akumulatora spriegumu. Kad akumulatora spailes ir pievienotas, voltmeters automātiski nolasa akumulatora (vai akumulatoru sistēmas) spriegumu, pat ja ierīcei nav pieslēgta barošana. Voltmetrs lasa spriegumu diapazonā no ~3 V līdz ~30 V. Ja pievienotā akumulatora spriegums ir zem 3 V, displejā nekas netiek rādīts. Šādā situācijā iespējams, ka akumulatoram ir papildu slodze, piemēram, ieslēgti priekšējie lukturi vai maiņstrāvas ventilators, kas ir jāizslēdz, pirms mēģināt iedarbināt transportlīdzekli.
- 9. Forsētās uzlādes gaismas diode.** Deg baltā krāsā, kad forsētā uzlāde ir aktīva. Ja ierīce GB500 akumulatoram ir pievienota pareizi, tā automātiski nosaka akumulatoru un pārslēdzas forsētās uzlādes režīmā (gaismas diode mirgo baltā krāsā, kad manuālās vadības funkcija ir aktīva).
- 10. Manuālās vadības funkcijas gaismas diode.** Deg sarkanā krāsā, kad ir aktivizēta manuālās vadības funkcija.
- 11. Manuālās vadības poga.** Lai iespējotu, nospiediet un turiet nospiestu 3 (trīs) sekundes. **BRĪDINĀJUMS! Atspējo drošības aizsardzību un manuāli ieslēdz forsēto uzlādi. Izmantojama vienīgi tad, ja akumulatora spriegums ir pārāk zems, lai to noteiktu.**
- 12. Sprieguma atlases poga.** Pagrieziet, lai pārslēgtu ierīci 12 V un 24 V režīmā.
- 13. Lampa režīma poga.** Pārslēdz darba gaismu 7 gaismas režīmos: 100 % > 50 % > 10 % > SOS > Mirgo > Stroboskopiska > Izslēgta.
- 14. USB izejas gaismas diode.** Deg baltā krāsā; USB izejas funkciju var izmantot gan 12 V, gan 24 V režīmā.
- 15. 12 V izejas gaismas diode.** Deg baltā krāsā; 12 V izejas funkciju var izmantot tikai 12 V režīmā.
- 16. 12 V ieejas gaismas diode.** Deg baltā krāsā; 12 V ieejas funkciju var izmantot tikai 12 V režīmā.
- 17. Lampa režīma gaismas diode.** Deg baltā krāsā, kad darba gaisma ir ieslēgta, bet ierīce ir izslēgta.

Problēmu Novēršana

Kļūda	Lemesls / Risinājums
<p> Kļūdas gaismas diode: deg sarkanā krāsā.</p> <p>Kļūdas gaismas diode: vienu (1) reizi mirgo.</p> <p>Kļūdas gaismas diode: divas (2) reizes mirgo.</p> <p>Kļūdas gaismas diode: trīs (3) reizes mirgo.</p> <p>Kļūdas gaismas diode: četras (4) reizes mirgo.</p> <p>Kļūdas gaismas diode: piecas (5) reizes mirgo.</p>	<p>Noteikta pretēja polaritāte. / Pretēji akumulatora savienojumi.</p> <p>Akumulatora spailēs ir noteikts Issavienojums. / Noņemiet visu slodzi, atvienojiet spaiļes no akumulatora.</p> <p>Iedarbināšanas no ārēja strāvas avota periods pārsniedz desmit (10) minūtes. / Izslēdziet un pēc tam ieslēdziet ierīci.</p> <p>Iekšējā galvenā slēdža atteice. / Pārbaudiet, vai sprieguma atlases poga ir pareizi novietota 12 V vai 24 V pozīcijā.</p> <p>Uzlādes laikā noteikts kļūdainis akumulatora elements. / Izslēdziet ierīci, sazinieties ar "NOCO" atbalsta dienestu.</p> <p>XGC izejas pārstrāvas kļūda. / Noņemiet slodzi no XGC izejas, pēc tam izslēdziet un ieslēdziet ierīci.</p>
<p> Karstuma gaismas diode: deg.</p> <p>Karstuma gaismas diode: mirgo.</p> <p>Karstuma gaismas diode: mirgo, pēc tam visas gaismas diodes nodziest.</p>	<p>Ierīce ir pilnībā darbināma, bet tuvojas augšējai temperatūras robežai. / Ļaujiet ierīcei atdzist.</p> <p>Ierīce ir pārāk karsta, lai izmantotu kā ārēju strāvas avotu, taču citas funkcijas ir pieejamas. / Ļaujiet ierīcei atdzist.</p> <p>Ierīce ir pārāk karsta, lai izmantotu kā ārēju strāvas avotu vai lietotu citas funkcijas. / Ļaujiet ierīcei atdzist un pārvietojiet to vēsākā vidē.</p>
<p> Aukstuma gaismas diode: deg.</p> <p>Aukstuma gaismas diode: mirgo.</p> <p>Aukstuma gaismas diode: mirgo, pēc tam visas gaismas diodes nodziest.</p>	<p>Ierīce ir pilnībā darbināma, bet tuvojas apakšējai temperatūras robežai. / Ļaujiet ierīcei sasilt.</p> <p>Ierīce ir pārāk auksta, lai izmantotu kā ārēju strāvas avotu, taču citas funkcijas ir pieejamas. / Ļaujiet ierīcei sasilt.</p> <p>Ierīce ir pārāk auksta, lai izmantotu kā ārēju strāvas avotu vai lietotu citas funkcijas. / Ļaujiet ierīcei sasilt un pārvietojiet to siltākā vidē.</p>
<p>Tehniska piezīme.</p>	<p>Litija-akumulatori lietošanas laikā sakarst. Ja deg aukstuma kļūdas gaismas diode, mēģiniet iedarbināšanu no ārēja strāvas avota vairākas reizes, lai sasildītu akumulatoru un noņemtu kļūdu. Parasti pietiek ar 3–4 iedarbināšanas no ārēja strāvas avota reizēm, lai akumulators sasiltu un kļūda tiktu noņemta.</p>

Tehniskās specifikācijas

Iebūvētais akumulators:	Lithium-Ion (Vatstunda 266)
Maksimumpstrāve:	20,000A
joules3S:	80,000+
Darba temperatūra.	no -30 °C līdz +50 °C (no -22°F līdz +122°F)
Uzlādes temperatūra:	0°C līdz +40°C (no 32°F līdz +104°F)
Glabāšanas temperatūra:	no -20°C līdz +50°C (no -4°F līdz +122°F) (vid. temp.)
USB (izeja):	Dubults 5V, 2,1A
12V (ieeja):	12V, 5A
12V (izeja):	12V, 15A
Korpusa aizsardzība:	IP65 (ar noslēgtiem portiem)
Dzesēšana:	Dabiska konvekcija
Izmēri (P x G x A)	12,25 x 8,25 x 2,25 collas (311,15 x 209,55 x 57,15 mm)
Svars:	19 mārciņas (8,6 kg)

Garantija

“NOCO” 1 (viena) gada ierobežota garantija.

Uzņēmums “NOCO” (“NOCO”) garantē, ka šis produkts (“Produkts”) būs bez materiālu un apdares defektiem 1 (vienu) gadu no pirkuma datuma (“Garantijas periods”). Defektus, kuri tiks ziņoti Garantijas perioda laikā, “NOCO” pēc saviem ieskatiem novērsīs vai arī aizstās defektīvos Produktus ar citiem. Aizstāšanas detaļas vai produkti būs jauni vai funkcionāli izmantojami un ar oriģinālajai daļai līdzvērtīgām funkcijām un veiktspēju, kā arī ar garantiju sākotnējā Garantijas perioda atlikušajam laikam.

“NOCO” ATBILDĪBA TĀDĒJĀDI IR SKAIDRI IEROBEŽOTA AR AIZSTĀŠANU VAI REMONTU. CIKTĀL TO ATĻAUJ TIESĪBU AKTI, “NOCO” NEUZŅEMAS ATBILDĪBU PRET PRODUKTA PIRCĒJU VAI TREŠO PERSONU PAR JEBKĀDU ĪPAŠU, NETIEŠU, IZRIETOŠU KAITĒJUMU VAI SODA SANKCIJĀM, TOSTARP (BET NE TIKAI) PAR JEBKĀDĀ VEIDĀ AR PRODUKTU SAISTĪTU RADUŠOS PEĻŅAS ZAUDĒJUMU, ĪPAŠUMA BOJĀJUMU VAI PERSONAS TRAUMU, PAT JA “NOCO” BIJA INFORMĀCIJA PAR ŠĀDA KAITĒJUMA IESPĒJAMĪBU. ŠEIT IZKLĀSTĪTĀJĀM GARANTIJĀM IR TĀDS PATS JURIDISKAIS SPĒKS KĀ VISĀM CITĀM SKAIDRI VAI NETIEŠI AR LIKUMU VAI CITĀDI NOTEIKTĀM GARANTIJĀM, TOSTARP (BEZ IEROBEŽOJUMA) DOMĀJAMĀM GARANTIJĀM PAR ATBILSTĪBU TIRDZNICĪBAS PRASĪBĀM UN PIEMĒROTĪBU NOTEIKTAM NOLŪKAM, KĀ ARĪ TĀM, KAS IZRIET NO IERASTĀS PRAKSES, LIETOŠANAS VAI TIRDZNICĪBAS PRAKSES. JA KĀDI PIEMĒROJAMIE TIESĪBU AKTI NOSAKA GARANTIJAS, NOSACĪJUMUS VAI PIENĀKUMUS, KO NEVAR IZSLĒGT VAI MAINĪT, ŠIS PUNKTS IR PIEMĒROJAMS, CIKTĀL TO PIEĻAUJ ATTIECĪGIE TIESĪBU AKTI.

Šī ierobežotā garantija ir piemērojama vienīgi Produkta sākotnējam pircējam, kurš to iegādājās no “NOCO” vai tā apstiprināta tālākpārdevēja vai izplatītāja, un nav piešķirama vai nododama citai personai. Lai izmantotu garantijas prasību, pircējam ir: 1) jāpieprasa un jāsaņem no “NOCO” preces atdošanas atļaujas (return merchandise authorization — “RMA”) numurs un nosūtīšanas adreses informācija (“Nosūtīšanas adrese”), nosūtot e-pasta vēstuli uz adresi support@no.co vai zvanot pa tālruni 1 800 456 6626; un 2) jānosūta uz Nosūtīšanas adresi Produkts, pievienojot RMA numuru, kvīti vai garantijas maksu (maksu vajadzīga vienīgi gadījumā, ja netiek sūtīta kvīts) 45 % apmērā no ražotāja noteiktās defektīvā Produkta mazumtirdzniecības cenas (“Garantijas maksa”) [RMA atļaujā būs norādīta piemērojamā Garantijas maksa]. NESŪTIET PRODUKTU, IEPRIEKŠ NESAŅĒMOT NO “NOCO” ATBALSTA DIENESTA RMA ATĻAUJU.

LAI NOSŪTĪTU PRODUKTUS GARANTIJAS PAKALPOJUMA SAŅĒMŠANAI, SĀKOTNĒJAM PIRCĒJAM, IEPRIEKŠ VEICOT MAKSĀJUMU, IR JĀSEDZ VISAS IEPAKOŠANAS UN TRANSPORTĒŠANAS IZMAKSAS.

NESKATOTIES UZ IEPRIEKŠ MINĒTO, ŠĪ IEROBEŽOTĀ GARANTIJA TIEK ANULĒTA UN NAV PIEMĒROJAMA PRODUKTIEM, KAS: a) ir izmantoti nepareizā nolūkā vai veidā vai ir nepiemēroti uzturēti vai neuzmanīgi lietoti, kam radīts bojājums, kas nepareizi glabāti vai darbināti tādos paaugstināta sprieguma, ārkārtējas temperatūras, triecienu vai vibrācijas apstākļos, kas neatbilst “NOCO” ieteikumiem par drošu un efektīvu lietošanu; b) ir nepareizi uzstādīti, darbināti vai uzturēti; c) ir/bija pārveidoti bez skaidras “NOCO” rakstiskas piekrišanas; d) ir izjaukti, izmainīti vai remontēti, ko veikusi cita, ne “NOCO” pilnvarota persona; e) ir ar defektiem, kuri ziņoti pēc Garantijas perioda.

ŠĪ IEROBEŽOTĀ GARANTIJA NEATTIECAS UZ: 1) normālu nolietojumu, 2) kosmētisku bojājumu, kas neietekmē funkcionalitāti, vai 3) Produktiem, kuriem nav “NOCO” sērijas numura vai tas ir mainīts vai nav salasāms.

Savam “NOCO” produktam varat reģistrēties tiešsaistē: no.co/register. Ja jums ir jautājumi par garantiju vai produktu, sazinieties ar “NOCO” atbalsta dienestu (izmantojot iepriekš norādīto e-pasta adresi vai tālruna numuru) vai rakstiet: NOCO Company, 30339 Diamond Parkway, #102, Glenwillow, OH 44139 USA.

NOCO genius[®] BOOSTMAX[™]

GB500



ОПАСНО

Руководство пользователю и Гарантия



ОЗНАКОМЬТЕСЬ СО ВСЕЙ ИНСТРУКЦИЕЙ ПО БЕЗОПАСНОСТИ И УСВОЙТЕ ЕЁ ПЕРЕД ИСПОЛЬЗОВАНИЕМ ЭТОГО ПРОДУКТА. Несоблюдение инструкций по безопасности может привести к **УДАРУ ЭЛЕКТРОТОКОМ, ВЗРЫВУ, ВОЗГОРАНИЮ**, которые могут вызвать **СЕРЬЁЗНУЮ ТРАВМУ, СМЕРТЬ** или **ПОВРЕЖДЕНИЕ ИМУЩЕСТВА**.



Удар электротоком. Продукт является электрическим устройством, которое может ударить током и вызвать серьёзную травму. Не перерезайте кабели и провода. Не погружайте в воду и не мочите.



Взрыв. Несовместимые, повреждённые или оставленные без внимания аккумуляторы при использовании с продуктом могут взорваться. Не оставляете включённые продукт без наблюдения. Не пытайтесь завести запустить с помощью продукта повреждённый или замерзший аккумулятор. Используйте продукт только с аккумуляторами рекомендуемого напряжения. Используйте продукт в хорошо проветриваемых помещениях.



Возгорание. Продукт является электроустройством, выделяющим тепло, и способен вызвать ожоги. Не накрывайте продукт. Не курите и не используйте никакой источник электрической искры или огня во время работы с продуктом. Держите продукт вдали от взрывоопасных материалов



Травмы глаз. Используйте средства защиты глаз при работе с продуктом. Аккумулятор может взорваться с разлетанием деталей. Аккумуляторная кислота может вызвать раздражение глаз и кожи. При поражении глаз или кожи промойте повреждённый участок чистой водой и немедленно обратитесь к врачу.



Взрывоопасные газы. Работа рядом со свинцово-кислотными продуктами является опасной. Во время обычной работы аккумулятора он выделяет взрывоопасные газы. Для снижения риска взрыва аккумулятора следуйте всем инструкциям по безопасности, включая данную инструкцию, а также инструкции от производителя аккумулятора или инструкции к любому оборудованию, которое будет использовано рядом с аккумулятором. Перечитайте наклейки-предостережения на этих продуктах и на моторе.

Русский

Более подробную
информацию можно найти:

www.no.co/support

Важные инструкции по безопасности

Пункт 65. Аккумуляторные штыри, терминалы и сопутствующие аксессуары содержат химические элементы, включая свинец. По данным штата Калифорния, эти материалы могут вызывать рак, врождённые пороки и другие повреждения репродуктивной функции. **Меры личной безопасности.** Используйте продукт только по назначению. Кто-то должен быть достаточно близко, чтобы услышать ваш голос и прийти на помощь в чрезвычайном случае. Имейте недалеко запас чистой воды на случай утечки аккумуляторной кислоты. При работе рядом с аккумулятором носите средства защиты глаз и защитную одежду. Всегда мойте руки после контакта с аккумулятором или похожими материалами. Не держите и не носите никаких металлических предметов при работе с аккумуляторами, включая инструменты, часы или украшения. При падении металла на аккумулятор он может вызвать искру или короткое замыкание, ведущее к удару током, возгоранию или взрыву, которые могут вызвать травму, смерть или повреждение имущества. **Несовершеннолетние.** Если продукт приобретается "Покупателем" для использования несовершеннолетним, покупающий взрослый обязуется провести подробный инструктаж и предупредить любого несовершеннолетнего перед использованием. Несоблюдение данного обязательства является исключительной ответственностью "Покупателя", который таким образом освобождает NOCO от любой ответственности за неправильное использование продукта несовершеннолетним. **Удушье.** Аксессуары представляют собой опасность удушья для детей. Не оставляйте детей без присмотра рядом с любым продуктом или аксессуаром. Этот продукт не является игрушкой. **Пользование.** Пользуйтесь продуктом с осторожностью. Продукт может быть повреждён при надавливании или сжатии. Не пользуйтесь повреждённым продуктом, включая, но не ограничиваясь, трещинами в корпусе или повреждённым кабелем. Не используйте продукт с повреждённым кабелем. Сырость и жидкость может повредить продукт. Не подносите продукт или любой его электрический компонент к любой жидкости. Храните и используйте продукт в сухом месте. Не пользуйтесь мокрым продуктом. Если продукт уже работает и подвергся воздействию жидкости, отсоедините его от аккумулятора и немедленно прекратите работу. Не отсоединяйте продукт, потянув за кабель. **Модификации.** Не пытайтесь изменить, модифицировать или чинить любую часть продукта. Не разбирайте продукт – это может привести к травме, смерти или порче имущества. При повреждении, неисправности или контакте продукта с жидкостью прекратите использование и свяжитесь с NOCO. Любая модификация продукта аннулирует гарантию. **Аксессуары.** Продукт может быть использован только с аксессуарами NOCO. NOCO не несёт ответственность за безопасность или повреждения при использовании аксессуаров, не одобренных NOCO. **Расположение.** Не допускайте контакта продукта с аккумуляторной кислотой. Не работайте с продуктом в закрытых или плохо вентилируемых помещениях. Не ставьте аккумулятор на продукт. Располагайте кабели так, чтобы они не могли быть случайно повреждены подвижными частями транспортного средства (включая капоты и двери), движущимися частями мотора (включая лопасти вентилятора, ремни и барабаны), либо любым опасным предметом, могущим вызвать травму или летальный исход. **Температура для работы.** Этот продукт разработан для широкого спектра температур: между -30С до +50С. Не работайте с продуктом вне этих температурных рамок. Не пытайтесь запустить замёрзший аккумулятор. Немедленно прекратите использование продукта, если аккумулятор слишком нагрелся. **Хранение.** Не используйте и не храните продукт в пыльных или полных аэрозоля помещений. Храните продукт на плоской устойчивой поверхности, исключающей падение. Храните продукт в сухом месте. Средняя температура хранения: от -20С до +20С. Никогда и ни при каких условиях температура не должна превышать +80С. **Совместимость.** Продукт совместим только с 12- и 24-вольтными свинцово-кислотными аккумуляторными системами. Не предпринимайте попыток использовать продукт с любым другим видом аккумуляторов. Попытка запуска кабеля другого вида аккумулятора может привести к травме, летальному исходу или порче имущества. Перед попыткой запуска аккумулятора свяжитесь с его производителем. Не пытайтесь запустить аккумулятор, если вы не уверены в его химическом составе или напряжении. **Батареи.** Встроенные литий-ионные батареи в продукте должны быть заменены только специалистами NOCO, или

должны быть переработаны или выброшены отдельно от бытовых отходов. Не пытайтесь заменить батарею самостоятельно и не пользуйтесь повреждёнными либо протекающими литий-ионными батареями. Никогда не выбрасывайте батареи вместе с бытовыми отходами. Выбрасывание батарей вместе с бытовыми отходами противоречит законам штата и федеральным законами и регулированию по защите окружающей среды. Всегда отдавайте батареи в ваш местный центр по переработке. Если батарея продукта стала слишком горячей, издаёт запах, деформирована, порезана, или демонстрирует необычное поведение, немедленно прекратите использование и свяжитесь с NOCO. **Зарядка.** Заряжайте продукт только с использованием прилагаемого DC адаптера мощностью 12 вольт или силового адаптера 56W XGC. Избегайте блоков питания низкого качества, так как они могут представлять собой серьезный риск и привести к травме или повреждению прибора или имущества. Использование повреждённых кабелей или зарядных устройств, а также зарядка при наличии влаги могут привести к электрошоку. NOCO не несет ответственности за безопасность при использовании продуктов и аксессуаров, не одобренных NOCO. Блок питания может нагреваться при обычном использовании, и длительный контакт с кожей может вызвать травму. Всегда используйте блоки питания в хорошо проветриваемых помещениях. Для максимизации срока эксплуатации батареи, не заряжайте дольше недели, так как это может его сократить. Со временем неиспользованный продукт теряет заряд и требует подзарядки перед использованием. Отсоединяйте продукт от источника питания, когда не пользуетесь им. Используйте продукт только по назначению. **Медицинские приборы.** Продукт может образовывать электромагнитное поле. Продукт содержит магнитные компоненты, которые могут перебить работу кардиостимуляторов, дефибрилляторов и других медицинских приборов. Эти электромагнитные поля могут нарушить работу кардиостимуляторов или других медицинских приборов. Если вы используете любой медицинский прибор, включая кардиостимулятор, проконсультируйтесь с врачом перед использованием данного продукта. Если вам кажется, что продукт нарушает работу медицинского прибора, немедленно прекратите работу и обратитесь к врачу. **Медицинские противопоказания.** При наличии заболеваний, на которые, по вашему мнению, может повлиять продукт, обратитесь к врачу перед использованием. Заболевания включают, но не ограничиваются, судорогами, потемнением в глазах или головной болью. Встроенный высоко-мощный фонарь может вызвать повышенную чувствительность. Использование фонаря в сигнальном режиме может вызвать судороги у людей с чувствительной к свету эпилепсией, что может привести к серьёзным травмам или летальному исходу. **Свет.** Непрерывное смотрение прямо на включённый фонарь может привести к постоянному нарушению зрения. Продукт оснащён высоко-мощной светодиодной фокусируемой лампой, излучающей очень яркий световой поток. **Чистка.** Выключайте прибор перед профилактикой или чисткой. Немедленно почистите и вытрите насухо прибор, если он вступил в контакт с жидкостью или любым загрязнителем. Используйте мягкую безворсовую ткань (микрофибру). Предотвращайте попадание влаги в отверстие. **Взрывоопасные условия.** Следуйте всем предупреждениям и инструкциям. Не используйте продукт в помещениях с потенциально взрывоопасной атмосферой, например в местах для заправки или с содержанием в воздухе химикатов и мелких частиц, таких как стружки, пыль и металлический порошок. **Действия с последствиями.** Этот продукт не предназначен для использования в случае, если его неполадки могут привести к травмам, летальному исходу или повреждению имущества. **Радио-помехи.** Продукт разработан, протестирован и произведён с соблюдением государственного регулирования радио-помех. Помехи от продукта могут негативно сказаться на работе других электроприборов и вызвать их неполадки. **Номер модели: GB500** Это устройство соответствует Пункту 15 Правил Федерального агентства по связи США. Вы можете пользоваться прибором при соблюдении следующих двух условий: 1) это устройство не вызовет вредных помех и 2) это устройство может принять помехи, включая нежелательные манёвры устройства. **ВНИМАНИЕ:** Оборудование было протестировано и признано соответствующим стандартам электронных устройств класса А, как оговорено в Пункте 15 Правил Федерального агентства по связи США. Эти ограничения разработаны, чтобы обеспечить защиту от нежелательного взаимодействия с оборудованием, используемым на коммерческих объектах. Оборудование производит, использует и может излучать радио-частоты, и если его не установить в соответствии с инструкцией, может нарушать радио-сообщение. Работа с этим оборудованием в жилых районах может нанести вред коммуникациям, в таком случае пользователь обязан устранить нарушение за свой счёт.

Руководство к пользованию

Шаг 1: Зарядите GB500.

GB500 частично заряжен при покупке и требует полной зарядки перед использованием. Присоедините GB500 к входному порту IN, используя прилагаемый 12-вольтовый адаптер или силовой адаптер 56W XGC. Для зарядки GB500 должна быть в режиме 12 вольт. Перед зарядкой убедитесь, что рычажок выбора напряжения находится в позиции 12V. Входной порт XGC 12V IN имеет параметры 12 вольт, 2,1 ампер для обеспечения безопасной и эффективной зарядки встроенной литиевой батареи. В соответствии с федеральным регулированием мы рекомендуем не заряжать и разгружать прибор одновременно. Время зарядки GB500 зависит от уровня разрядки и используемого источника питания. Результат может различаться в зависимости от состояния батареи.

Время подзарядки: 6-8 часов

Для зарядки полностью разряженного объекта используйте 12-вольтовый кабель DC или силовой адаптер AC. Время подзарядки будет зависеть от степени разряженности.

25% 50% 75% 100%



При подзарядке уровень заряда встроенной батареи отмечен соответствующими светодиодами. Светодиоды будут медленно мигать "On" и "Off", пока все четыре из них не загорятся устойчиво. Когда батарея полностью заряжена, будет устойчиво гореть зелёным цветом 100% светодиод, а светодиоды 25%, 50% и 75% отключатся. Время от времени зелёный светодиод 100% будет пульсировать, означая профилактическую зарядку.

Зарядка Зарядка 12V DC (60W).

Для зарядки GB500 должна быть в режиме 12 вольт. Перед зарядкой убедитесь, что рычажок выбора напряжения установлен на 12 вольт. Присоедините 12-вольтовый кабель к 12-вольтовому входному порту IN, а другой конец к 12-вольтовому штепселю. Воткните в рабочую 12-вольтовую розетку AUX (прикуриватель).

Зарядка AC (56W)

Для зарядки GB500 должна быть в режиме 12 вольт. Перед зарядкой убедитесь, что рычажок выбора напряжения установлен на 12 вольт. Присоедините 12-вольтовый кабель XGC к входному 12-вольтовому порту IN на GB500, а другой конец силового адаптера к источнику постоянного тока (настенная розетка 100-240VAC).

Энергопитание 12-вольного устройства.

Для активации 12 вольт OUT, GB500 должно быть в режиме 12 вольт. Присоедините 12-вольтовый кабель к 12-вольтовому выходному порту OUT на GB500, а другой конец - к 12-вольтовому разъему (12V AUX / прикуриватель). Присоедините к порту любое стандартное 12-вольтное устройство (до 15 ампер) с помощью 12-вольтовой вилки, включите On GB500 и начинайте зарядку своего устройства.

Шаг 2: Подсоединение к аккумулятору.

Внимательно прочитайте и усвойте инструкции к транспортному средству и специальные предостережения по рекомендуемым методам зарядки аккумулятора. Перед использованием этого продукта убедитесь, что вы определили напряжение и химический состав аккумулятора, прочитав инструкцию производителя аккумулятора. GB500 предназначено только для запуска 12- и 24-вольтовых свинцово-кислотных аккумуляторов.

Перед присоединением к аккумулятору проверьте напряжение аккумуляторной системы. Убедитесь, что рычажок выбора напряжения находится в правильном положении (12 или 24 вольт) в соответствии с напряжением запускаемого аккумулятора. Никогда не изменяйте напряжение, пока прибор подключен к батарее. Изменяйте напряжение только тогда, когда прибор выключен. Перед присоединением к аккумулятору удостоверьтесь в том, что он является 12-вольтным свинцово-кислотным. GB500 не подходит для других видов аккумуляторов. Определите правильную полярность на зарядных терминалах аккумулятора. Положительный терминал обычно отмечен следующими буквами или символом (POS,P,+). Отрицательный терминал обычно отмечен следующими буквами или символом (NEG,N,-). Не подсоединяйте к карбюратору, линиям подачи топлива или тонким листовым металлическим деталям. Ниже вы найдёте инструкции для системы с заземлением отрицательного полюса (наиболее распространённая). Если ваше транспортное средство имеет систему с заземлением положительного полюса (очень редко), следуйте данным инструкциям в обратном порядке.

- 1.) Присоедините негативный (чёрный) зажим Boost Max Connector к негативному порту на GB500.
- 2.) Присоедините положительный (красный) зажим Boost Max Connector к положительному порту на GB500.
- 3.) Всегда очищайте клеммы до присоединения зажимов. ПРИМЕЧАНИЕ: неисправные соединения или грязные клеммы могут вызвать образование дыма. Аккумуляторы с очень низким напряжением также повышают шансы образования дыма.
- 4.) Присоедините положительный (красный) зажим Boost Max Connector к положительному (POS,P,+) терминалу аккумулятора.
- 5.) Присоедините отрицательные зажимы (чёрные) Boost Max Connector к отрицательным (NEG,N,-) клеммам аккумулятора или автомобильному шасси. (Заземление на корпус может быть недопустимым при запуске от внешнего источника устройств с высоким энергопотреблением).
- 6.) При отсоединении отсоединяйте в обратном порядке, сначала отсоединяя отрицательные (или положительные для системы с заземлением положительного полюса).

Шаг 3: Запуск аккумулятора.

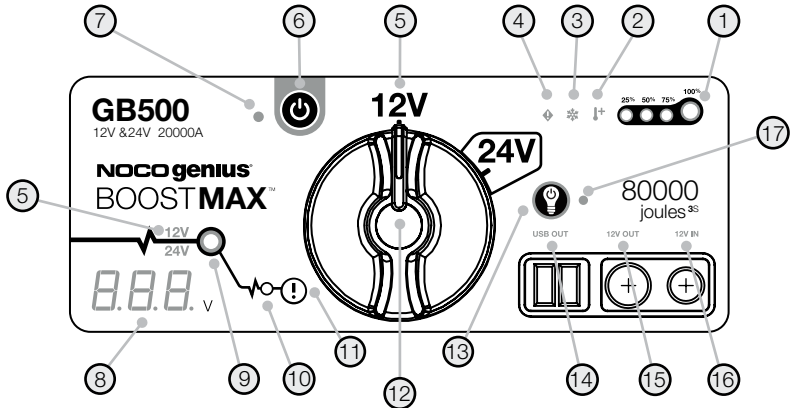
- 1.) Перед попыткой запуска аккумулятора убедитесь, что автомобильные источники силовой нагрузки (лампы, радио, кондиционер и т. п.) отключены. Если автомобиль оснащен главным выключателем, поверните его в положение «включено».
- 2.) Нажмите кнопку питания, чтобы начать запуск. Все светодиоды вспыхнут, подтверждая свою исправность. Если аккумулятор подсоединён должным образом, загорится белый светодиод. Если зажимы батареи подсоединены в обратном порядке, загорится красный светодиод ошибки. Для устранения ошибки поменяйте соединение, чтобы загорелся белый светодиод. Белый светодиод горит, когда GB500 готово к запуску вашего транспортного средства.
- 3.) Попробуйте завести транспортное средство. Большинство транспортных средств заведётся немедленно. Для некоторых транспортных средств требуется подсоединение GB500 до 30 секунд, чтобы они завелись. Если транспортное средство не завелось сразу, подождите 20-30 секунд и попробуйте опять. Не предпринимайте более пяти (5) попыток подряд в течение пятнадцати (15) минут. Сделайте перерыв на пятнадцать (15) минут, перед тем как попытаться снова завести транспортное средство с помощью GB500.
- 4.) Когда транспортное средство завелось, отсоедините зажимы батареи и уберите GB500.

Аккумуляторы малого напряжения и ручной запуск

GB500 предназначено для запуска свинцово-кислотных аккумуляторов напряжением 12 вольт и ниже, до 2 вольт. При напряжении ниже 2-х вольт светодиод запуска Boost не загорится. Это означает, что GB500 не может найти аккумулятор. Для запуска аккумулятора напряжением меньше 2-х вольт, существует ручной режим, включающий функцию запуска.




ВНИМАНИЕ.

ИСПОЛЬЗУЙТЕ ЭТОТ РЕЖИМ С ПОВЫШЕННОЙ ОСТОРОЖНОСТЬЮ. ЭТОТ РЕЖИМ ПРЕДНАЗНАЧЕН ТОЛЬКО ДЛЯ 12 ИЛИ 24-ВОЛЬТНЫХ СВИНЦОВО-КИСЛОТНЫХ АККУМУЛЯТОРОВ. УБЕДИТЕСЬ, ЧТО РЫЧАЖОК ВЫБОРА НАПРЯЖЕНИЯ НАХОДИТСЯ В ПРАВИЛЬНОМ ПОЛОЖЕНИИ (12 ИЛИ 24 ВОЛЬТ) В СООТВЕТСТВИИ С НАПРЯЖЕНИЕМ ЗАПУСКАЕМОЙ АККУМУЛЯТОРНОЙ СИСТЕМЫ. ПЕРЕД ПЕРЕХОДОМ В ЭТОТ РЕЖИМ ОБРАТИТЕ ОСОБОЕ ВНИМАНИЕ НА ПОЛЯРНOSTЬ АККУМУЛЯТОРА. НЕ ДОПУСКАЙТЕ СОПРИКОСНОВЕНИЯ ИЛИ СОЕДИНЕНИЯ ПОЛОЖИТЕЛЬНЫХ И ОТРИЦАТЕЛЬНЫХ ЗАЖИМОВ, ТАК КАК ЭТО МОЖЕТ ВЫЗВАТЬ ИСКРЫ. ЭТОТ РЕЖИМ ИСПОЛЬЗУЕТ ОЧЕНЬ ВЫСОКИЙ ТОК (ДО 1 000 АМПЕР), ЧТО ПРИ НЕПРАВИЛЬНОМ ИСПОЛЬЗОВАНИИ МОЖЕТ ВЫЗВАТЬ ИСКРЫ И Высокое Нагревание. ЕСЛИ ВЫ НЕ УВЕРЕНЫ, КАК ИСПОЛЬЗОВАТЬ ЭТОТ РЕЖИМ, НЕ ПРЕДПРИНИМАЙТЕ ПОПЫТОК И ОБРАТИТЕСЬ К ПРОФЕССИОНАЛУ.



- 1. Уровень встроенной батареи** обозначает уровень её заряда.
- 2. Горячий светодиод** устойчиво горит красным; устройство полностью исправно, но приближается к максимальной температурной границе. Мигает красным: устройство слишком нагрето для запуска, но другие функции по-прежнему доступны.
- 3. Холодный светодиод** устойчиво горит синим; устройство полностью исправно, но приближается к минимальной температурной границе. Мигает синим: устройство слишком охлаждено для запуска, но другие функции по-прежнему доступны.
- 4. Светодиод ошибки** горит красным при обнаружении обратной полярности.
- 5. Индикатор напряжения** отмечает установленный в данный момент уровень напряжения аккумуляторной системы для GB500. 12V горит белым в режиме 12 вольт, 24V горит синим в режиме 24 вольт.
- 6. Кнопка питания Power** Нажмите, чтобы включить или выключить устройство.
- 7. Светодиод питания** горит белым, когда устройство включено.
- 8. Вольтметр** Встроенный вольтметр определяет напряжение автомобильного аккумулятора для расширенной диагностики и определения неполадок. Вольтметр автоматически определит напряжение любого аккумулятора (или системы аккумуляторов), когда присоединены зажимы, даже если устройство выключено. Вольтметр определяет напряжение от ~3 до ~30 вольт. Если напряжение присоединённого аккумулятора ниже 3 вольт, ничего не определится. В случае такого низкого напряжения, вероятно нагрузка на аккумулятор, например работающий кондиционер или фары, поэтому они должны быть выключены перед запуском транспортного средства.
- 9. Светодиод запуск Boost** горит белым при активном запуске. Если устройство правильно подсоединено к аккумулятору, GB500 автоматически определит аккумулятор и перейдёт в режим запуска Boost (светодиод будет мигать белым при активации ручного режима).
- 10. Светодиод ручного режима** горит красным, когда этот режим активирован.
- 11. Кнопка ручного режима Manual Override** Для включения нажмите и удерживайте три (3) секунды. **ВНИМАНИЕ: Отключает защитные функции и вручную переходит в режим запуска Boost. Режим предназначен только для случаев, когда напряжение аккумулятора является слишком низким, чтобы его определить.**
- 12. Рычажок выбора напряжения** Поверните, чтобы переключить между 12- и 24-вольтными режимами.
- 13. Кнопка светового режима Light Mode** Предназначена для рабочего светодиодного света в семи (7) световых режимах: 100% >; 50% >; 10% >; SOS >; Мигание (Blink) >; Луч (Strobe) >; Выключить (Off).
- 14. Светодиод USB** горит белым; функция USB Out может быть использована как в 12-, так и в 24-вольтном режиме.
- 15. Светодиод 12V Out** горит белым; функция 12V Out может быть использована только в 12-вольтном режиме.
- 16. Светодиод 12V In** горит белым; функция 12V In может быть использована только в 12-вольтном режиме.
- 17. Светодиод светового режима** горит белым при активации рабочего света, но при выключенном устройстве.

Исправление проблем

ошибка	Причина / решение
 Светодиод ошибки: Устойчивый красный Светодиод ошибки: Одно (1) мигание Светодиод ошибки: Двойное (2) мигание Светодиод ошибки: Тройное (3) мигание Светодиод ошибки: Четырехкратное (4) мигание Светодиод ошибки: Пятикратное (5) мигание	Обнаружена обратная полярность. / Поменяйте соединение с аккумулятором. На зажимах аккумулятора обнаружено короткое замыкание. / Уберите напряжение, повторно подсоедините зажимы к аккумулятору. Период запуска превышает десять (10) минут. / Выключите, а затем снова включите устройство. Сбой внутреннего выключателя батареи. / Убедитесь, что рычажок выбора напряжения правильно установлен в позиции 12 или 24 вольт. Во время зарядки обнаружен неисправный элемент батареи. / Выключите устройство и свяжитесь с NOCO. Ошибка повышенного напряжения XGC OUT. / Снимите напряжение с XGC OUT, выключите и снова включите устройство.
 Горячий светодиод: Устойчивый Горячий светодиод: Мигает Горячий светодиод: Мигает, затем все светодиоды выключаются	Устройство полностью исправно, но приближается к максимальной температурной границе. / Дайте устройству остыть. Устройство слишком нагрето для запуска, но другие функции по-прежнему доступны. / Дайте устройству остыть. Устройство слишком нагрето для запуска или других функций. / Дайте устройству остыть и переместите его в более прохладное помещение.
 Холодный светодиод: Устойчивый Холодный светодиод: Мигает Холодный светодиод: Мигает, затем все светодиоды выключаются	Устройство полностью исправно, но приближается к минимальной температурной границе. / Дайте устройству нагреться. Устройство слишком охлаждено для запуска, но другие функции по-прежнему доступны. / Дайте устройству нагреться. Устройство слишком охлаждено для запуска или других функций. / Дайте устройству нагреться и переместите его в более тёплое помещение.
Техническое примечание	Литий-ионные батареи самонагреваются при использовании. При загорании холодного светодиода ошибки, сделайте многочисленные попытки запуска для нагревания батареи и устранения ошибки. Обычно 3-4 запуска достаточно для нагревания батареи и устранения ошибки.

Технические характеристики

Встроенная батарея:	Литий Ион (Ватт в час 266)
Максимальный ток:	20,000A
Джоули 3S:	80,000+
Температура для работы:	-30°C до +50°C (-22°F до +122°F)
Температура зарядки:	0°C до +40°C (32°F до +104°F)
Температура хранения:	-20°C до +50°C (-4°F до +122°F) (средняя температура)
USB (выход):	Двойной 5V, 2,1A
12V (вход):	12V, 5A
12V (выход):	12V, 15A
Защита имущества:	IP65 (с закрытыми портами)
Охлаждение:	Естественная конвекция
Габариты: (Д x Ш x В):	12,25 x 8,25 x 2,25 дюйма (311,15 x 209,55 x 57,15 mm)
Вес:	19 фунта (8,6 кг)

Гарантия

Ограниченная гарантия сроком на один (1) год на устройство NOCO Genius One.

The NOCO Company (далее "NOCO") гарантирует, что этот продукт (далее "Продукт") не будет иметь дефектов в материалах и работоспособности в течение одного (1) года с даты покупки (далее "Срок Гарантии"). При обнаружении дефектов в течение "Срока Гарантии", NOCO, по своему усмотрению и в зависимости от результатов технического анализа NOCO, отремонтирует или заменит бракованный Продукт. Заменённые детали или продукты будут новыми или использованными в сервисе, сравнимыми по функциям и оперативности с изначальными деталями и будут подлежать гарантии на всё оставшееся время изначального Срока Гарантии.

ОБЯЗАТЕЛЬСТВО NOCO, ТАКИМ ОБРАЗОМ, ОГРАНИЧИВАЕТСЯ ТОЛЬКО ЗАМЕНОЙ ИЛИ РЕМОНТОМ. ДО МАКСИМАЛЬНОГО РАЗРЕШЁННОГО ЗАКОНОМ КРИТЕРИЯ, NOCO НЕ НЕСЁТ ОТВЕТСТВЕННОСТИ ПЕРЕД ЛЮБЫМ ПОКУПАТЕЛЕМ ПРОДУКТА ЛИБО ПЕРЕД ЛЮБОЙ ТРЕТЬЕЙ СТОРОНОЙ ЗА ЛЮБЫЕ ОСОБЫЕ, КОСВЕННЫЕ ЛИБО ШТРАФНЫЕ УБЫТКИ, ВКЛЮЧАЯ, НО НЕ ОГРАНИЧИВАЯСЯ, ПОТЕРЮ ПРИБЫЛИ, ПОВРЕЖДЕНИЕ ИМУЩЕСТВА ИЛИ ЛИЧНЫЕ ТРАВМЫ, КАКИМ-ЛИБО ОБРАЗОМ ОТНОСЯЩИЕСЯ К ПРОДУКТУ, НЕЗАВИСИМО ОТ ПРЕДШЕСТВУЮЩИХ ОБСТОЯТЕЛЬСТВ, ДАЖЕ ЕСЛИ КОМПАНИЯ NOCO БЫЛА ОСВЕДОМЛЕНА О ВОЗМОЖНОСТИ ТАКОГО УЩЕРБА. ПРИВЕДЁННЫЕ ЗДЕСЬ ГАРАНТИИ, ВЛИЯЮТ ВСЕ ДРУГИЕ ГАРАНТИИ, ВЫРАЖЕННЫЕ, ПОДРАЗУМЕВАЕМЫЕ, УСТАНОВЛЕННЫЕ ИЛИ ИНЫЕ, ВКЛЮЧАЯ, БЕЗ ОГРАНИЧЕНИЙ, ПОДРАЗУМЕВАЕМЫЕ ГАРАНТИИ КОММЕРЧЕСКОЙ ЦЕННОСТИ И ПРИГОДНОСТИ ДЛЯ ОПРЕДЕЛЕННОЙ ЦЕЛИ, И ТЕХНИКИ, ВОЗНИКАЮЩИЕ ИЗ КУРСА ПРИМЕНЕНИЯ, ИСПОЛЬЗОВАНИЯ ИЛИ ТОРГОВОЙ ПРАКТИКИ. В СЛУЧАЕ, КОГДА ЛЮБЫЕ ПРИМЕНИМЫЕ ЗАКОНЫ ИСПОЛЬЗУЮТ ГАРАНТИИ, УСЛОВИЯ ИЛИ ОБЯЗАТЕЛЬСТВА, КОТОРЫЕ НЕ МОГУТ БЫТЬ ИСКЛЮЧЕНЫ ИЛИ ИЗМЕНЕНЫ, ЭТОТ ПАРАГРАФ ДОЛЖЕН ПРИМЕНЯТЬСЯ В САМОЙ БОЛЬШОЙ СТЕПЕНИ, ДОПУСКАЕМОЙ ТАКИМ ЗАКОНОДАТЕЛЬСТВОМ.

Эта ограниченная гарантия составлена исключительно в интересах покупателя Продукта у NOCO или у одобренного NOCO посредника или дистрибутора и не подлежит передаче или трансферу. Чтобы получить услуги по гарантии, покупатель должен: (1) получить номер авторизованного возврата return merchandise authorization ("RMA") и информацию о месте возврата (the "Return Location") в службе поддержки NOCO, написав на адрес электронной почты support@no.co или позвонив по телефону 1-800-456-6626. (2) выслать в место возврата Продукт, включая номер RMA, чек о покупке или гарантийный сбор (при отсутствии чека) в размере 45% от рекомендуемой розничной цены производителя на бракованный Продукт (далее "Гарантийный Сбор") [RMA укажет размер Гарантийного Сбора, если такой требуется]. НЕ ПОСЫЛАЙТЕ ПРОДУКТ, НЕ ПОЛУЧИВ RMA В СЛУЖБЕ ПОДДЕРЖКИ.

ПОКУПАТЕЛЬ НЕСЁТ ОТВЕТСТВЕННОСТЬ (И ДОЛЖЕН ПРЕДВАРИТЕЛЬНО ОПЛАТИТЬ) ВСЕ УПАКОВОЧНЫЕ МАТЕРИАЛЫ И СТОИМОСТЬ ПЕРЕСЫЛКИ ПРОДУКТОВ ДЛЯ ГАРАНТИЙНОГО ОБСЛУЖИВАНИЯ.

НЕ ОТМЕНЯЯ ВЫШЕПЕРЕЧИСЛЕННОГО, ЭТА ОГРАНИЧЕННАЯ ГАРАНТИЯ НЕ ИМЕЕТ СИЛЫ И НЕ МОЖЕТ ПРИМЕНЯТЬСЯ К ПРОДУКТАМ, КОТОРЫЕ: (а) быть неправильно использованы, небрежно хранились, повреждены в результате неосторожности, случайности, неправильного хранения; были эксплуатированы в условиях повышенного напряжения, температуры, удара или вибрации, что противоречило рекомендациям NOCO по безопасному и эффективному использованию; (б) были неправильно установлены, использованы или хранены; (в) были модифицированы без специального письменного согласия NOCO; (г) были разобраны, изменены или отремонтированы не в NOCO; (д) о дефектах было заявлено после истечения Срока Гарантии.

ЭТА ОГРАНИЧЕННАЯ ГАРАНТИЯ НЕ ПОКРЫВАЕТ: (1) обычное изнашивание; (2) косметические повреждения, не влияющие на функциональность; (3) продукты с отсутствующим, изменённым или стёртым серийным номером NOCO.

Вы можете зарегистрировать продукт NOCO онлайн по адресу: no.co/register. Если у вас есть вопросы по поводу гарантии или самого продукта, обратитесь в Службу поддержки NOCO (электронный адрес и телефон указаны ниже) или напишите по адресу: The NOCO Company, at 30339 Diamond Parkway, #102, Glenwillow, OH 44139 USA / США.

NOCO genius[®] BOOSTMAX[™]

GB500



OPASNOST

Korisnički vodič i jamstvo



S RAZUMIJEVANJEM PROČITAJTE SVE SIGURNOSNE INFORMACIJE PRIJE KORIŠTENJA PROIZVODA. Ako se ne pridržavate ovih sigurnosnih uputa, može doći do ELEKTRIČNOG UDARA, EKSPLOZIJE, POŽARA, koji mogu uzrokovati TEŠKE OZLJEDE, SMRT i MATERIJALNU ŠTETU.



Električni udar. Proizvod je električni uređaj koji može dovesti do električnog udara i uzrokovati ozbiljne ozljede. Nemojte rezati kabele napajanja. Nemojte uranjati u vodu ili močiti.



Eksplוזija. Akumulatori bez nadzora, nekompatibilni ili oštećeni akumulatori mogu eksplodirati ako ih takve koristite u uređaju. Ne ostavljajte uređaj u radu bez nadzora. Ne pokušavajte pokretanje iz vanjskog izvora ako je akumulator oštećen ili smrznut. Uređaj koristite samo s akumulatorima preporučenog napona. Uređajem rukujte u području s dobrom ventilacijom.



Požar. Proizvod je električni uređaj koji emitira toplinu i može uzrokovati opekline. Ne pokrivajte uređaj. Nemojte pušiti ili koristiti izvor električnih iskri ili vatre za vrijeme rukovanja uređajem. Držite uređaj dalje od zapaljivih materijala.



Ozljede oka. Nosite zaštitu za oči prilikom rukovanja uređajem. Akumulatori mogu eksplodirati i stvoriti leteće ostatke. Kiselina iz akumulatora može uzrokovati nadraženosť očiju i kože. Ako dođe do onečišćenja očiju ili kože, isperite zahvaćeno područje pod mlazom vode i obratite se službi za stanja s trovanjem.



Eksplוזivni plinovi. Rad u blizini olovne akumulatorske baterije je opasan. Akumulatori stvaraju eksplozivne plinove za vrijeme normalnog rada akumulatora. Radi smanjenja rizika od eksplozije akumulatora, pridržavajte se svih uputa o sigurnosti i uputa koje je objavio proizvođač akumulatora i proizvođač opreme koju namjeravate koristiti u blizini akumulatora. Pregledajte oznake za oprez na ovim proizvodima i motoru.

Hrvatski

Dodatne informacije
potražite na:

www.no.co/support

Važna upozorenja o sigurnosti

Propis 65. Priključci i kontakti akumulatora te s njima povezana oprema sadrže kemijska sredstva, uključujući olovo. Za ove je materijale u saveznoj državi Kaliforniji utvrđeno da izazivaju rak, oštećenja pri porodu i druga oštećenja reproduktivnih organa. **Mjere osobne zaštite.** Uređaj koristite samo u predviđenu svrhu. Netko mora biti u doseg u vašeg glasa ili dovoljno blizu kako bi vam priskočio u pomoć u hitnom slučaju. U blizini imajte čistu vodu i sapun, za slučaj kontaminacije kiselinom iz akumulatora. Nosite potpunu zaštitu za oči i zaštitnu odjeću dok radite u blizini akumulatora. Operite ruke nakon rukovanja akumulatorima i s njima povezanim materijalima. Ne dirajte i ne nosite metalne predmete pri radu s akumulatorima, to se odnosi na alate, satove i nakit. Ako na akumulator padne metalni predmet, može doći do iskrenja ili kratkog spoja i posljedično do električnog udara, požara, eksplozije, koji mogu uzrokovati ozljede, smrt i materijalnu štetu. **Malodobne osobe.** Ako je „kupač“ predvidio da će uređaj koristiti malodobne osobe, odrasla osoba u svojstvu kupca obvezuje se da će sve malodobne osobe prije upotrebe upoznati s detaljnim uputama i upozorenjima. U protivnom će „Kupač“ biti isključivo odgovoran za obeštećenje tvrtke NOCO zbog neželjene upotrebe ili nepravilne upotrebe od strane malodobnih osoba. **Opasnost od gušenja.** Dodatna oprema opasna je za djecu zbog mogućeg gušenja. Ne ostavljajte djecu bez nadzora s uređajem ili dodatnom opremom. Ovaj proizvod nije igračka. **Rukovanje.** Pažljivo rukujte proizvodom. U slučaju udarca, uređaj se može oštetiti. Nemojte koristiti oštećeni uređaj, što bez ograničenja uključuje napukline na kućištu i oštećenje kabela. Nemojte upotrebljavati proizvod s oštećenim kablom. Vлага i tekućine mogu oštetiti uređaj. Ne upotrebljavajte uređaj ili njegove električne komponente blizu tekućina. Uređaj pohranite i koristite na suhim mjestima. Nemojte upotrebljavati uređaj ako se smoči. Ako se uređaj smoči za vrijeme rada, odvojite ga od akumulatora i odmah prekinite njegovu upotrebu. Uređaj nemojte odvajati od utičnice tako da povlačite kabele. **Izmjene.** Ne pokušavajte izmijeniti, preinačiti ili popraviti bilo koji dio uređaja. Rastavljanjem uređaja može doći do ozljeda, smrti i materijalne štete. Ako se uređaj ošteti, pokvari ili dođe u kontakt s tekućinom, prekinite njegovu upotrebu i obratite se tvrtci NOCO. Preinake na uređaju dovode do gubitka pravo na jamstvo. **Dodatna oprema.** Ovaj uređaj odobren je za upotrebu samo s dodatnom opremom tvrtke NOCO. NOCO ne odgovara za sigurnost korisnika i oštećenja pri korištenju dodatne opreme koju nije odobrila tvrtka NOCO. **Mjesto.** Onemogućite dodir kiseline iz akumulatora s uređajem. Ne upotrebljavajte uređaj u zatvorenom području ili u području s ograničenom ventilacijom. Ne stavljajte akumulator na gornju stranu proizvoda. Kabele razmjestite tako da izbjegnute nehotična oštećenja djelovanjem pokretnih dijelova vozila (uključujući haube i vrata), pokretnih dijelova motora (uključujući lopatice ventilatora, remene i remenice) ili tako da ne predstavljaju opasnost za nezgode s mogućim ozljedama i smrtnim posljedicama. **Mjesto.** Onemogućite dodir kiseline iz akumulatora s uređajem. Ne upotrebljavajte uređaj u zatvorenom području ili u području s ograničenom ventilacijom. Ne stavljajte akumulator na gornju stranu proizvoda. Kabele razmjestite tako da izbjegnute nehotična oštećenja djelovanjem pokretnih dijelova vozila (uključujući haube i vrata), pokretnih dijelova motora (uključujući lopatice ventilatora, remene i remenice) ili tako da ne predstavljaju opasnost za nezgode s mogućim ozljedama i smrtnim posljedicama. **Radna temperatura.** Uređaj je projektiran za rad u okolini s temperaturom između -30 °C i 50 °C. Nemojte ga koristiti izvan ovog raspona. Ne pokrećite iz vanjskog akumulatora koji je smrznut. Odmah prekinite s upotrebom uređaja ako se akumulator prekomjerno zagrije. **Pohrana.** Uređaj nemojte koristiti ili skladištiti u područjima s visokom koncentracijom prašine ili drugih čestica u zraku. Uređaj pohranite na ravnu površinu na kojoj će biti siguran od pada. Proizvod pohranite na suhom mjestu. Temperatura skladištenja iznosi -20 °C - 25 °C (prosječna temperatura). Ni u kojem slučaju temperatura ne smije biti veća od 80 °C. **Kompatibilnost.** Uređaj je kompatibilan samo s olovnim akumulatorskim sustavima od 12 i 24 volta. Ne koristite proizvod s drugim vrstama akumulatora. Pokretanje akumulatora s drukčijim kemijskim sastavom iz vanjskog izvora može dovesti do ozljeda,

smrti i materijalne štete. Prije pokretanja akumulatora iz vanjskog izvora, obratite se njegovom proizvođaču. Nemojte pokretati akumulator iz vanjskog izvora ako niste sigurni u njegov kemijski sastav ili napon. **Akumulator.** Litij-ionski akumulator ugrađen u uređaj smije zamijeniti samo tvrtka NOCO, a mora se reciklirati i zbrinjavati odvojeno od kućanskog otpada. Nemojte sami vršiti zamjenu akumulatora i ne rukujte oštećenim akumulatorima ili onima iz kojih istječe tekućina. Akumulator nemojte baciti u kućanski otpad. Bacanje akumulatora u kućanski otpad je protuzakonito prema državnim i savezним zakonima i propisima o zaštiti ljudskog okoliša. Iskorištene akumulatore odnesite u lokalni centar za recikliranje akumulatora. Ako je akumulator uređaja prekomjerno topao, ako širi neugodan miris, ako je prerezan ili izgleda neuobičajeno, odmah prekinite s upotrebom i obratite se tvrtci NOCO. **Punjenje akumulatora.** Napunite uređaj isporučeni adapterom za 12 V DC ili adapterom za napajanje 56 W XGC. Pazite da ne koristite adaptore napajanja niske kvalitete jer oni predstavljaju veliku opasnost koja može dovesti do ozljeda, oštećenja uređaja i imovine. Korištenje oštećenih kabela i punjača ili punjenje u prisutnosti vlage može dovesti do električnog udara. NOCO ne odgovara za sigurnost korisnika u slučaju korištenja dodatne opreme ili pribora koje tvrtka nije odobrila. Adapteri napajanja mogu se zagrijati tijekom normalne upotrebe, a u slučaju dugotrajnog dodira s kožom, može doći do tjelesnih ozljeda. Osigurajte prikladnu ventilaciju oko adaptera napajanja za vrijeme njihova korištenja. Da biste osigurali maksimalan vijek akumulatora, proizvod nemojte puniti duže od tjedan dana bez prekida jer prekomjernim punjenjem možete skratiti radni vijek akumulatora. S vremenom se nekorišteni proizvod prazni i potrebno ga je dopuniti prije upotrebe. Odvojite proizvod od izvora napajanja kada ga ne koristite. Proizvod koristite samo za svrhu za koju je predviđen. **Medicinski uređaji.** Uređaj može odašiljati elektromagnetske valove. Uređaj sadrži magnetske dijelove koji mogu ometati rad srčanih stimulatora, defibrilatora i drugih medicinskih uređaja. Ta elektromagnetska polja mogu ometati rad srčanih stimulatora i drugih medicinskih uređaja. Ako imate ugrađen srčani stimulator ili neki drugi medicinski uređaj, prije upotrebe posavjetujte se s liječnikom. Ako posumnjate da uređaj ometa rad medicinskog uređaja, odmah prestanite s upotrebom i potražite savjet liječnika. **Medicinska stanja.** Ako imate određeno medicinsko stanje na koje mislite da bi uređaj mogao negativno utjecati, što bez ograničenja uključuje napadaje, gubitke svijesti, napetost u očima ili glavobolje, potražite savjet liječnika prije upotrebe uređaja. Upotreba ugrađene svjetiljke velike snage predstavlja opasnost ako ste osjetljivi na svjetlo. Korištenje svjetla u načinu rada sinkronizacijske bljeskalice može uzrokovati napadaje u osoba koje boluju od fotosenzitivne epilepsije, stanja koje može dovesti do teških posljedica ili čak smrti. **Svjetlo.** Gledajte izravno u svjetiljku može rezultirati trajnim oštećenjem očiju. Uređaj je opremljen LED svjetlom velike snage koje je unaprijed fokusirano i odašilje snažnu zraku svjetlosti pri najvećoj postavci. **Čišćenje.** Isključite uređaj prije održavanja ili čišćenja. Odmah očistite i osušite uređaj ako dođe u dodir s tekućinom ili drugim izvorom onečišćenja. Koristite meku krpu bez dlačica (s mikrovlaknima). Pazite da u otvore ne uđe vlaga. **Eksplozivna okruženja.** Poštujte sve znakove i upute. Ne koristite uređaj u potencijalno eksplozivnoj okolini, što se odnosi i na područja za dotakanje goriva i područja u kojima se nalaze kemikalije ili čestice kao što su zrnca, prašina ili metalni prah. **Aktivnosti s teškim posljedicama.** Uređaj nije predviđen za upotrebu u uvjetima u kojima njegov kvar može dovesti do ozljeda, smrtnih posljedica ili ozbiljnog onečišćenja okoliša. **Radiofrekvencijske smetnje.** Uređaj je projektiran, ispitivan i proizveden tako da zadovoljava propise u vezi radiofrekvencijskih emisija. Takve emisije iz uređaja mogu negativno utjecati na rad druge elektroničke opreme i dovesti do njena kvara. **Broj modela: GB500.** Uređaj ispunjava zahtjeve članka 15. FCC-ovih propisa. Rad je podložan sljedećim dvama uvjetima: (1) ovaj uređaj ne smije izazvati štetne smetnje i (2) ovaj uređaj mora prihvatiti sve primljene smetnje, uključujući i smetnje koje mogu dovesti do neželjenog rada. **NAPOMENA:** Ovaj uređaj je ispitivan i utvrđeno je da udovoljava ograničenjima koja vrijede za digitalne uređaje klase A, u skladu s člankom 15 FCC propisa. Ova ograničenja predviđena su za pružanje razumne zaštite od štetnih smetnji prilikom korištenja opreme u komercijalnoj okolini. Ovaj uređaj stvara, koristi i može zračiti energiju na radijskim frekvencijama i ako se ne postavi i ne koristi u skladu s uputama za korištenje, može izazvati štetne smetnje u radijskim komunikacijama. Rad uređaja u stambenim područjima vjerojatno će uzrokovati štetne smetnje pri čemu će korisnik morati ukloniti te smetnje o svom trošku.

Upute za uporabu

Korak 1: Punjenje uređaja GB500.

Uređaj GB500 isporučuje se djelomično napunjen i potrebno ga je do kraja napuniti prije upotrebe. Spojite GB500 koristeći isporučeni adapter za 12 V ili adapter napajanja 56 W XGC u priključak 12V IN. GB500 mora biti u načinu rada za 12 V da bi se punio. Postavite gumb za odabir napona u položaj za 12 V prije početka punjenja. Priključak XGC 12V IN predviđen je za 12 V, 5 A čime se osigurava sigurno i učinkovito punjenje unutarnjeg litijskog akumulatora. Zbog FCC-ovih propisa, preporučujemo da u isto vrijeme ne punite i praznite uređaj. Vrijeme potrebno za punjenje uređaja GB500 ovisi o razini ispražnjenosti i korištenom izvoru napajanja. Rezultati u stvarnosti ovise o stanju i uvjetima korištenja akumulatora.

Vrijeme punjenja: 6-8 h

Potpuno ispražnjeni uređaj napunite kabelom za 12 V DC ili adapterom napajanja. Vrijeme punjenja ovisi o stupnju ispražnjenosti.

25% 50% 75% 100% Prilikom punjenja, razina napunjenosti akumulatora označena je LED indikatorom napunjenosti. LED indikatori će sporo treptati između uključenog i isključenog stanja pa će neprekidno svijetliti dok se ne uključe sva četiri LED indikatora punjenja. Kada je akumulator do kraja napunjen, zeleni 100% LED indikator će svijetliti bez prekida, a LED indikatori napunjenosti 25%, 50% i 75% će se isključiti. S vremena na vrijeme, zeleni LED indikator koji ukazuje na 100% napunjenosti će se uključivati i isključivati, tako ukazujući da je u tijeku servisno punjenje.

Punjenje iz istosmjernog izvora od 12 V (60 W).

GB500 mora biti u načinu rada za 12 V da bi se punio. Postavite gumb za odabir napona u položaj za 12 V prije početka punjenja. Spojite 12 V kabel na priključak 12V IN na uređaju GB500, a drugi kraj u muški 12 V utikač. Ukopčajte 12 V AUX utikač pod naponom (priključak upaljača za cigarete.)

Punjenje iz izmjeničnog izvora (56 W).

GB500 mora biti u načinu rada za 12 V da bi se punio. Postavite gumb za odabir napona u položaj za 12 V prije početka punjenja. Spojite XGC 12 V kabel na priključak 12V IN na uređaju GB500, a drugi kraj adaptera za napajanje 56W u izmjenično napajanje (100-240 VAC zidna utičnica).

Napajanje 12-voltnih uređaja.

GB500 mora biti u načinu rada za 12 V kako biste mogli omogućiti priključak 12 V OUT. Spojite 12 V kabel u 12V OUT priključak na uređaju GB500, a drugi kraj u ženski 12V utikač (12V AUX/ priključak upaljača za cigarete). Priključite bilo koji standardni 12-voltni uređaj (do 15 A) s 12 V utikačem i uključite GB500 kako biste počeli napajati uređaj.

Korak 2: Priključite na akumulator.

U korisničkom priručniku pažljivo s razumijevanjem pročitajte specifične mjere opreza i preporučene načine pokretanja vozila iz vanjskog izvora. Svakako utvrdite napon i kemijski sastav akumulatora – prije početka korištenja uređaja pročitajte korisnički priručnik akumulatora. Uređaj GB500 služi za vanjsko pokretanje samo 12-voltnih i 24-voltnih olovnih akumulatorskih sustava. Prije spajanja s akumulatorom, provjerite napon akumulatorskog sustava. Pazite da gumb za odabir napona bude u propisanom položaju (12 V ili 24 V) koji odgovara akumulatorskom sustavu za pokretanje iz vanjskog izvora. Nikada

nemojte mijenjati napon dok je jedinica priključena na akumulator. Napon mijenjajte samo onda kada je jedinica isključena. Prije priključivanja na akumulator, provjerite je li riječ o 12-voltnom olovnom akumulatoru. GB500 nije predviđen ni za koju drugu vrstu akumulatora. Utvrdite ispravan polaritet električnih priključaka akumulatora. Pozitivni priključak akumulatora obično je označen sljedećim slovima ili simbolom (POS, P, +). Negativni priključak akumulatora obično je označen sljedećim slovima ili simbolom (NEG, N, -). Nemojte spajati s rasplinjačem, vodovima goriva ili tankim metalnim dijelovima. Upute u nastavku odnose se na negativni sustav uzemljenja (najčešći). Ako se u vašem vozilu koristi pozitivni sustav uzemljenja (rijetka pojava), postupajte prema donjim uputama, ali obrnutim redoslijedom.

1. Spojite negativni (crni) Boost Max priključak na negativni priključak na uređaju GB500.
2. Pozitivni (crveni) priključak Boost Max spojite na pozitivni priključak na GB500.
3. Priključke uvijek očistite prije povezivanja klema. NAPOMENA: Neispravne veze ili prljavi priključci mogu dovesti do pojavljivanja dima. Akumulatori s vrlo niskim naponom također povećavaju mogućnost nastanka dima.
4. Pozitivni (crveni) priključak Boost Max spojite na pozitivni (POS, P, +) priključak akumulatora.
5. Negativni (crni) priključak Boost Max spojite na negativni (NEG, N, -) priključak akumulatora ili na karoseriju vozila. (Uzemljivanje na šasiju možda neće biti prikladno za brzo pokretanje velikih aplikacija).
6. Prilikom odvajanja, postupajte obrnutim redoslijedom: prvo uklonite negativnu stezaljku (ili pozitivnu, ako je riječ o sustavu s uzemljenim pozitivnim polom).

Korak 3: Pokretanje iz vanjskog izvora.

1. Isključite sve trošila u vozilu (prednja svjetla, radio, klimatizaciju, itd.) prije nego pokušajte pokrenuti vozilo iz vanjskog izvora. Ako je vozilo opremljeno s Glavnim prekidačem, okrenite ga u položaj „uključeno“.
2. Pritisnite gumb za uključivanje kako biste započeli s pokretanjem iz vanjskog izvora. Svi LED indikatori će treptati, označavajući da rade ispravno. Ako ste se pravilno spojili s akumulatorom, svijetlit će bijeli LED brzog punjenja. Ako su baterijske stezaljke spojene obrnutim redoslijedom, svijetlit će crveni LED za grešku. Zamijenite spojeve kako biste uklonili grešku, zatim će zasvijetliti bijeli LED brzog punjenja. Bijeli LED brzog punjenja svijetli kada je uređaj GB500 spreman za pokretanje vozila iz vanjskog izvora.
3. Pokušajte pokrenuti vozilo. Većina vozila odmah će se pokrenuti. Za neka vozila potrebno je spojiti GB500 do 30 sekundi prije pokretanja. Ako se vozilo ne pokrene odmah, pričekajte 20 do 30 sekundi pa pokušajte ponovno. Ne pokrećite iz vanjskog izvora više od pet (5) puta uzastopno u razdoblju od petnaest (15) minuta. Ostavite GB500 petnaest (15) minuta u mirovanju, a zatim ponovno pokušajte pokrenuti vozilo iz vanjskog izvora.
4. Kada uspješno pokrenete vozilo, odvojite stezaljke akumulatora i uklonite GB500.

Baterije niskog napona i ručno premošćivanje.




Uređaj GB500 služi za pokretanje iz vanjskih izvora samo 12-voltnih olovnih akumulatora do napona 2 V. Ako je napon akumulatora ispod 2 V, LED brzog punjenja će biti isključen. To je znak da GB500 ne može prepoznati akumulator. Ako trebate iz vanjskog izvora pokrenuti akumulator napona manjeg od 2 V, na raspolaganju vam je funkcija ručnog premošćivanja koja služi za prisilno uključivanje funkcije pokretanja iz vanjskog izvora.

OPREZ.

OVAJ NAČIN RADA KORISTITE VRLO OPREZNO. OVAJ NAČIN RADA PREDVIĐEN JE SAMO ZA 12-VOLTNE ILI 24-VOLTNE OLOVNE AKUMULATORE. PAZITE DA GUMB ZA ODABIR NAPONA BUDE U PROPISANOM POLOŽAJU (12 V ILI 24 V) KOJI ODGOVARA akumulatorsKOM SUSTAVU ZA POKRETANJE IZ VANJSKOG IZVORA. VELIKU PAŽNJU OBRATITE NA POLARITET AKUMULATORA PRIJE NJEGOVE UPOTREBE U OVOM NAČINU RADA. PAZITE DA SE POZITIVNA I

- 1. Razina unutarnjeg akumulatora** označava napunjenost unutarnjeg akumulatora.
- 2. LED indikator visoke temperature** Svijetli crveno; uređaj je u punom radnom stanju, ali približava se gornjoj graničnoj temperaturi. Trepće crveno; temperatura uređaja je previsoka za pokretanje iz vanjskog izvora, ali druge funkcije i dalje su dostupne. Flashing Red; unit is too hot to jump start, but other functions are still available.
- 3. LED indikator niske temperature** Svijetli plavo; uređaj je u punom radnom stanju, ali približava se donjoj graničnoj temperaturi. Trepće plavo; temperatura uređaja je preniska za pokretanje iz vanjskog izvora, ali druge funkcije i dalje su dostupne.
- 4. LED indikator greške** Svijetli crveno ako se utvrdi obrnuti polaritet.
- 5. Indikator napona** Prikazuje napon akumulatorskog sustava na koji je uređaj GB500 trenutno postavljen. 12 V svijetli bijelo u načinu rada za 12 V, 24 V svijetli plavo u načinu rada za 24 V.
- 6. Gumb za uključivanje/isključivanje** Pritisnite gumb napajanja za uključivanje i isključivanje uređaja.
- 7. LED napajanja** Svijetli bijelo kada je uređaj uključen.
- 8. Voltmetar** Ugrađeni voltmetar prikazuje napon akumulatora vozila i omogućuje naprednu dijagnostiku i rješavanje problema. Voltmetar automatski prikazuje napon bilo kojeg akumulatora (ili akumulatorskog sustava) kada su spojene stezaljke akumulatora, čak i ako je uređaj isključen. Voltmetar prikazuje napon između ~3 V i ~30 V. Ako spojeni akumulator ima napon manji od 3 V, ništa se neće prikazati. U tom slučaju, akumulator je vjerojatno opterećen trošilima poput prednjih svjetala ili AC ventilatora koja biste trebali isključiti prije nego pokušate pokrenuti vozilo.
- 9. LED brzog punjenja** Svijetli bijelo kada je aktivna funkcija brzog punjenja. Ako uređaj propisno priključite na akumulator, GB500 će automatski prepoznati akumulator i ući u način rada brzog punjenja (bijeli LED će treptati kada je aktivna funkcija ručnog premošćivanja).
- 10. LED za ručno premošćivanje** Svijetli stalno crveno kada je aktivirana funkcija ručnog premošćivanja.
- 11. Gumb za ručno premošćivanje – za aktiviranje, pritisnite ga i zadržite tri (3) sekunde. UPOZORENJE: Onemogućuje sigurnosnu zaštitu i ručno prisilno uključuje funkciju brzog punjenja. Koristite samo ako je akumulator preslab da bi bio prepoznat.**
- 12. Gumb za odabir napona** Odabir načina rada za 12 V ili 24 V.
- 13. Gumb načina rada svjetla** Prebacuje radno svjetlo kroz 7 načina rada: 100% > 50% > 10% > SOS > Treptanje > Sinkronizacijska bljeskalica > Isključeno
- 14. LED USB izlaza** Svijetli plavo; funkcija USB izlaza može se koristiti u načinu rada za 12 V i za 24 V.
- 15. LED 12 V izlaza** Svijetli bijelo; funkcija izlaza za 12 V može se koristiti samo u načinu rada za 12 V.
- 16. LED 12 V ulaza** Svijetli bijelo; funkcija ulaza za 12 V može se koristiti samo u načinu rada za 12 V.
- 17. LED načina rada svjetla** Svijetli bijelo kada je radno svjetlo uključeno, a uređaj je isključen.

Rješavanje Problema

Greška	Razlog / Rješenje
<p> LED greške Stalno svijetli crveno</p> <p>LED greške Jedan (1) treptaj</p> <p>LED greške Dva (2) treptaja</p> <p>LED greške Tri (3) treptaja</p> <p>LED greške Četiri (4) treptaja</p> <p>LED greške Pet (5) treptaja</p>	<p>Utvrđen je obrnuti polariteti. / Zamijenite priključke akumulatora.</p> <p>Otkriven je kratki spoj na stezaljkama akumulatora. / Uklonite sva trošila, ponovno spojite stezaljke na akumulator.</p> <p>Razdoblje pokretanja iz vanjskog izvora veće je od deset (10) minuta. / Isključite uređaj, zatim ga uključite.</p> <p>Greška glavne unutarnje sklopke. / Provjerite je li gumb za odabir napona pravilno postavljen u položaj za 12 V ili 24 V.</p> <p>Tijekom punjenja otkrivena je neispravna ćelija akumulatora. / Isključite uređaj, obratite se službi za podršku NOCO.</p> <p>XGC OUT greška zbog prekoračenja struje. / Uklonite trošilo iz XGC izlaza, zatim isključite i opet uključite uređaj.</p>
<p> LED visoke temperature: Svijetli stalno</p> <p>LED visoke temperature: Trepće</p> <p>LED visoke temperature: Trepće, zatim se svi LED indikatori isključe</p>	<p>Uređaj je u punom radnom stanju, ali približava se gornjoj graničnoj temperaturi. / Pustite uređaj da se ohladi.</p> <p>Temperatura uređaja je previsoka za pokretanje iz vanjskog izvora, ali druge funkcije i dalje su dostupne. / Pustite uređaj da se ohladi.</p> <p>Temperatura uređaja je previsoka za pokretanje iz vanjskog izvora ili korištenje drugih funkcija. / Pričekajte da se uređaj ohladi i premjestite ga u hladniju okolinu.</p>
<p> LED preniske temperature: Svijetli stalno</p> <p>LED preniske temperature: Trepće</p> <p>LED preniske temperature: Trepće, zatim se svi LED indikatori isključe</p>	<p>Uređaj je u punom radnom stanju, ali približava se donjoj graničnoj temperaturi. / Omogućite zagrijavanje uređaja.</p> <p>Temperatura uređaja je preniska za pokretanje iz vanjskog izvora, ali druge funkcije i dalje su dostupne. / Omogućite zagrijavanje uređaja.</p> <p>Temperatura uređaja je preniska za pokretanje iz vanjskog izvora ili korištenje drugih funkcija. / Pričekajte da se uređaj zagrije i premjestite ga u topliju okolinu.</p>
<p>Tehnička napomena</p>	<p>Litij-ionski akumulatori zagrijavaju se tijekom korištenja. Ako zasvijetli LED indikator greške zbog niske temperature, nekoliko puta pokušajte pokrenuti iz vanjskog izvora kako biste zagrijali akumulator i uklonili grešku. Obično je 3-4 pokretanja iz vanjskog izvora dovoljno za zagrijavanje akumulatora i uklanjanje greške.</p>

Tehnički podaci

Unutarnji akumulator	Litij-ionska (Vat-sati 266)
Vršna nazivna struja:	20,000A
joules3S:	80,000+
Radna temperatura:	-30°C do +50°C (-22°F do +122°F)
Temperatura punjenja:	0°C do +40°C (32°F do +104°F)
Temperatura skladištenja:	-20°C do +50°C (-4°F do +122°F) (prosj. temp.)
USB (izlaz):	Dvojni 5V, 2,1A
12V (ulaz):	12V, 5A
12V (izlaz):	12V, 15A
Zaštita kućišta:	IP65 (sa zatvorenim priključcima)
Hlađenje:	prirodna konvekcija
Mjere (D x Š x V)	12,25 x 8,25 x 2,25 inča (311,15 x 209,55 x 57,15 mm)
Težina:	19 funti

Jamstvo

NOCO Genius jednogodišnje (1) ograničeno jamstvo.

Tvrtka NOCO ("NOCO") jamči da će ovaj proizvod ("Proizvod") biti bez nedostataka u materijalu i izradi u razdoblju od jedne (1) godine od datuma kupnje ("Jamstveni rok"). Za nedostatke koji se prijave tijekom razdoblja jamstva, NOCO će, prema vlastitom nahođenju i sukladno analizi tehničke podrške NOCO, popraviti ili zamijeniti neispravne Proizvode. Zamjenski dijelovi i proizvodi bit će novi ili rabljeni servisirani, usporedivi u funkciji i svojstvima s originalnim dijelom i za njih će vrijediti jamstvo za ostatak originalnog razdoblja jamstva.

OVDJE UTVRĐENA ODGOVORNOST TVRTKE NOCO IZRIČITO JE OGRANIČENA NA ZAMJENU ILI POPRAVAK. U NAJVEĆOJ MJERI KOJA JE DOPUŠTENA ZAKONOM, NOCO NEĆE BITI ODGOVORAN NIJEDNOM KUPCU PROIZVODA ILI BILO KOJOJ TREĆOJ STRANI NI ZA KOJE POSEBNE, NEIZRAVNE, POSLJEDIČNE ILI PRIMJERNE ŠTETE, UKLJUČUJUĆI, ALI NE OGRANIČAVAJUĆI SE NA, GUBITAK DOBITI, ŠTETE NA NEKRETNINAMA ILI TJELESNE OZLJEDE, VEZANO NA BILO KOJI NAČIN S PROIZVODOM, KAKO SU UZROKOVANI, ČAK I AKO JE NOCO BIO UPOZNAT S MOGUĆNOŠĆU TAKVIH ŠTETA. OVDJE UTVRĐENA JAMSTVA ZAMJENA SU ZA SVA DRUGA JAMSTVA, IZRIČITA, IMPLICIRANA, ZAKONSKA ILI NEKA DRUGA, UKLJUČUJUĆI, BEZ OGRANIČENJA, IMPLICIRANA JAMSTVA O UTRŽIVOSTI I PRIMJERENOSTI ZA ODREĐENU NAMJENU I ONA KOJA PROIZLAZE IZ SAMOG POSLA, KORIŠTENJA ILI TRGOVAČKE PRAKSE, U SLUČAJU DA VAŽEĆI ZAKONI PROPISUJU JAMSTVA, UVJETE ILI OBVEZE KOJE SE NE MOGU IZOSTAVITI ILI MIJENJATI, OVAJ ĆE SE ODLOMAK PRIMJENJIVATI U NAJVEĆOJ MJERI U KOJOJ TO TAKVI ZAKONI DOPUŠTAJU.

Ovo Ograničeno jamstvo izrađeno je i vrijedi isključivo na korist originalnog kupca proizvoda od tvrtke NOCO ili od ovlaštenog prodavača ili distributera tvrtke NOCO i kao takvo se ne može dodjeljivati ili prenositi. Ako kupac želi izdati zahtjev u okviru jamstva, on mora: (1) zatražiti i dobiti autorizacijski broj za povrat robe ("RMA") i podatke o mjestu za povrat ("lokacija za povrat") od službe za pomoć tvrtke NOCO slanjem e-pošte na support@no.co ili telefonskim pozivom na broj 1.800.456.6626 i (2) poslati Proizvod, uključujući RMA broj, račun ili jamstvenu naknadu (naknada se naplaćuje samo ako se ne dostavi račun) od 45% MSRP-a za neispravan proizvod ("Naknada u okviru jamstva") [RMA će uključivati važeću naknadu u okviru jamstva] na povratnu lokaciju. NEMOJTE SLATI PROIZVOD DOK PRVO NE PRIBAVITE RMA BROJ OD SLUŽBE ZA POMOĆ TVRTKE NOCO.

IZVORNI KUPAC SNOSI (I MORA PLATITI UNAPRIJED) SVE TROŠKOVE PAKIRANJA I PRIJEVOZA RADI SLANJA PROIZVODA U OKVIRU JAMSTVENOG SERVISA.

BEZ OBZIRA NA GORE NAVEDENO, OVO OGRANIČENO JAMSTVO BIT ĆE NIŠTAVNO I NEĆE VRIJEDITI ZA PROIZVODE KOJI: (a) se zlouporabljaju, upotrebljavaju na nepravilan način, podvrgavaju grubom ili nepažljivom rukovanju, su imali nezgodu, su nepropisno pohranjeni ili su radili pod uvjetima ekstremnog napona, temperature, udaraca ili vibracija izvan preporuka tvrtke NOCO za siguran i učinkovit rad; (b) su nepravilno instalirani, korišteni ili održavani; (c) su preinačivani bez izričitog pisanog odobrenja tvrtke NOCO; (d) su rastavljani, preinačivani ili popravljani od strane bilo koga osim tvrtke NOCO; (e) imaju oštećenja koja su prijavljena nakon razdoblja jamstva.

OGRANIČENO JAMSTVO NE VRIJEDI ZA: (1) normalno trošenje i habanje; (2) estetska oštećenja koja ne utječu na rad ili (3) proizvode na kojima nedostaje, promijenjen je ili je oštećen NOCO serijski broj.

NOCO proizvod možete registrirati na internetu na: no.co/register. Ako imate bilo kakvih pitanja u vezi jamstva ili proizvoda, obratite se službi tvrtke NOCO za pomoć (gornja adresa e-pošte i broj telefona) ili pišite na: The NOCO Company, at 30339 Diamond Parkway, #102, Glenwillow, OH 44139 SAD.

NOCO 
genius BOOSTMAX™

GB500



НЕБЯСПЕКА

Інструкцыя па эксплуатацыі і гарантыя



АЗНАЁМЦЕСЯ І ЗРАЗУМЕЙЦЕ ЎСЮ ІНФАРМАЦЫЮ ПА ТЭХНІЦЭ НЕБЯСПЕКІ ПЕРАД ВЫКАРЫСТАННЕМ ГЭТАГА ПРАДУКТУ. Невыкананне ўказанняў можа прывесці да **УДАРУ ТОКАМ, ВЫБУХУ, ПАЖАРУ**, якія могуць прывесці да **ЗНАЧНЫХ ТРАУМАЎ, СМЕРЦІ** або **ПАШКОДЖАННЯ МАЁМАСЦІ**.



Удар токам. Выраб уяўляе сабой электрычную прыладу, якая можа біць токам і прыводзіць да сур'ёзных траўмаў. Не рэжце шнуры сілкавання. Не апускайце у ваду, не мачыце ў вадзе.



Выбух. Некантралюючыя, несумяшчальныя або пашкоджаныя акумулятары, якія выкарыстоўваюцца разам з вырабам, могуць падарвацца. Не пакідайце выраб без нагляду падчас выкарыстання. Не спрабуйце карыстацца пашкоджаным або замарожаным акумулятарам. Выкарыстоўвайце выраб толькі з акумулятарамі адзначанага напружання. Карыстайцеся вырабам у памяшканнях з добрай вентыляцыяй.



Пажар. Выраб уяўляе сабой электрычную прыладу, якая выпраменьвае цяпло і можа выклікаць апёкі. Не накрывайце выраб. Не курыце і не выкарыстоўвайце крывіцы электрычных іскр ці агню ў перыяд працы выраба. Трымайце выраб далёка ад гаручых матэрыялаў.



Пашкоджанне вачэй. Апранайце ахоўныя акуляры ў час працы з вырабам. Акумулятары могуць падарвацца і выклікаць разлёт абломкаў. Акумулятарная кіслата можа выклікаць раздражненне вачэй і скуры. У выпадку пападання кіслаты ў вочы ці на скуру, прамойце ўчастак праточнай чыстай вадою і неадкладна звяжыцеся з катролем па атручванню.



Газавы выбух. Праца ў непасрэднай блізкасці да свінцова-кіслотных акумулятараў небяспечна. Акумулятары ствараюць выбухова небяспечныя газы ў перыяд стандартнай эксплуатацыі. Для зніжэння рызыкі выбуху акумулятара, прытрымлівайцеся інфармацыі пра бяспеку і інструкцый, выдадзеных вытворцам акумулятара ды любога іншага абсталявання, прызначанага для выкарыстання ў непасрэднай блізкасці ад акумулятара. Азнаёмцеся з маркіроўкай перасцярогі на прыладах і рухавіку. Інструкцыя па эксплуатацыі і гарантыя.

беларускі

Для атрымання дадатковай
інфармацыі і падтрымкі
зварніцеся да:

www.no.co/support

Важныя парады па бяспецы

Прапанова 65. Акумулятарныя слупы, клемы і дадатковыя прыналежнасці маюць хімічныя рэчывы, сярод якіх свінец. У штаце Каліфорнія лічыцца, што гэтыя рэчы выклікаюць рак, прыроджаныя дэфекты і іншыя парушэнні рэпрадуктыўнай функцыі. **Асабістая перасцярога.** Выкарыстоўвайце прадукт толькі па яго прызначэнні. Хтосьці павінен быць у межах дасягання вашага голасу або досыць блізка, каб прыйсці вам на дапамогу ў выпадку надзвычайнай сітуацыі. Трымайце каля сябе запас чыстай вады і мыла на выпадок атручвання акумулятарнай кіслатой. Насіце акулеры бяспекі і ахоўную адзежу падчас работы каля акумулятара. Заўсёды мойце рукі пасля працы з акумулятарам і звязаных з ім прылад. У час працы з акумулятарам не апрацоўвайце і не насіце металічныя прадметы, уключаючы інструменты, гадзіннікі або ювелірныя вырабы. Калі метал падае на акумулятар, ён можа выклікаць іскру або кароткае замыканне, што прывядзе да ўдару электрычным токам, пажару, выбуху, якія, у сваю чаргу, могуць прывесці да траўмаў, смерці або пашкоджання маёмасці. **Непаўналетнія.** Калі вырабам карыстаюцца непаўналетнія, дарослы «Пакупнік», набыўшы прадукт, павінен падрабязна распавесці пра інструкцыі і папярэджанні да пачатку выкарыстання. Невыкананне гэтага правіла з'яўляецца выключнай адказнасцю «Пакупніка», які згаджаецца кампенсавать NOCO пры любым ненаўмыслым ці няправільным выкарыстанні прадукта непаўналетнімі. **Небяспека праглытання.** Аксэсуары могуць уяўляць небяспеку праглытання для дзяцей. Не пакідайце дзяцей без нагляду з вырабам або з любым яго аксэсуарам. Гэты выраб не цацка. **Карыстанне.** Асцярожна карыстайцеся вырабам. Выраб можна пашкодзіць пры ўздзеянні. Не карыстайцеся пашкоджаным вырабам, у тым ліку, але не абмяжоўваючыся, пры расколінах ў корпусе або пашкоджанні кабеляў. Не выкарыстоўвайце прадукт з пашкоджаным шнуром сілкавання. Вільготнасць і вадкасці могуць пашкодзіць выраб. Не карыстайцеся вырабам або яго электрычнымі кампанентамі паблізу вадкасцяў. Захоўвайце і эксплуатауйце выраб у сухім месцы. Не выкарыстоўвайце выраб, калі ён стаў вільготным. Калі выраб ужо працуе і намакае, адключыце яго ад акумулятара і неадкладна спыніце выкарыстанне. Не адключайце прыладу, пацягнуўшы за кабель. **Мадыфікацыі.** Не спрабуйце змяняць, мадыфікаваць або рамантаваць любую частку вырабу. Разбіранне вырабу можа прывесці да траўмаў, смерці або пашкоджання маёмасці. Калі выраб пашкоджаны, няспраўны або ўступае ў кантакт з вадкасцю, спыніце яго выкарыстанне і звярніцеся да NOCO. Любыя мадыфікацыі вырабу прывядуць да анулявання гарантыі. **Аксэсуары.** Гэты выраб прызначаны для выкарыстання толькі з аксэсуарамі NOCO. NOCO не нясе адказнасці за бяспеку карыстальніка ці пашкоджанні пры выкарыстанні аксэсуараў, не зацверджаных NOCO. **Размяшчэнне.** Прадухіліце любы кантакт кіслаты акумулятара з вырабам. Не карыстайцеся вырабам ў закрытай зоне або зоне з абмежаванай вентыляцыяй. Не ўсталёўвайце акумулятар на выраб. Размяшчайце кабель так, каб пазбегнуць выпадковага пашкоджання шляхам перамяшчэння мабільных частак (уключаючы кажухі і дзверы), мабільных частак рухавіка (у тым ліку лопасці вентылятара, рамяні і шківы), або таго, што можа стаць пагрозай ці прывесці да траўмаў або смерці. **Працоўная тэмпература.** Гэты выраб прызначаны для працы пры тэмпературы навакольнага асяроддзя ад -30°C да 50°C. Не карыстайцеся вырабам паза межамі тэмпературных дыяпазонаў. Не карыстайцеся халодным замарожаным акумулятарам. Неадкладна спыніце выкарыстанне вырабам, калі акумулятар становіцца занадта цёплым. **Захоўванне.** Не выкарыстоўвайце і не захоўвайце выраб у месцах з высокай канцэнтрацыяй пылу або іншых матэрыялаў у паветры. Захоўваеце выраб на роўнай стабільнай паверхні, каб прадухіліць падзенне. Захоўваеце выраб у сухім месцы. Тэмпература захоўвання ад -20°C - 25°C (сярэдня тэмпература). Ніколі не перавышайце тэмпературу ў 80°C пры любых умовах. **Сумяшчальнасць.** Выраб сумяшчальны толькі з 12-вальтовымі і 24-вальтовымі свінцова-кіслотнымі акумулятарнымі сістэмамі. Не спрабуйце выкарыстоўваць выраб з любым іншым тыпам акумулятараў. Пераход і запуск на іншыя хімічныя акумулятары можа прывесці да траўмы, смерці або пашкоджання маёмасці. Звяжыцеся з вытворцам акумулятара да спробы запуску ад акумулятара. Не спяшайцеся запускаяць выраб ад акумулятара, калі вы не ўпэўнены ў яго канкрэтнай хіміі або

асобна ад бытавых адходаў. Не спрабуйце замяніць акумулятар самастойна. Не апрацоўвайце пашкоджаныя або працякалыя напружанні. **Акумулятар.** Убудаваны літый-іённы акумулятар павінен быць заменены толькі NOCO, і перапрацаваны або утылізаваны літый-іённы акумулятар. Ніколі не выкідвайце акумулятар у бытавое смецце. Утылізацыя акумулятараў ў бытавое смецце з'яўляецца незаконнай справай ў адпаведнасці з дзяржаўнымі і федэральнымі прыродаахоўнымі законамі. Заўсёды перадавайце выкарыстаныя акумулятары ў мясцовы цэнтр утылізацыі. Калі акумулятар стаў празмерна гарачы, мае асаблівы пах, дэфармаваны, перарэзаны альбо мае анамальныя з'явы, неадкладна спыніце яго карыстанне і звяжыцеся з NOCO. **Зарядка акумулятара.** Зараджаўце выраб даданым адаптарам пастаяннага току на 12V або адаптарам сілкавання 56W XGC. Будзьце асцярожныя пры карыстанні адаптарамі нізкай якасці, бо яны могуць прадстаўляць сур'ёзную рызыку, якая можа прывесці да траўмы чалавека, пашкоджванні выраба ці маёмасці. Выкарыстанне пашкоджаных кабеляў, зарадных прылад або зарадка пры наяўнасці вільгаці, можа прывесці да паразы электрычным токам. NOCO не нясе адказнасці за бяспеку карыстальніка пры выкарыстанні аксесуараў і расходных матэрыялаў, не адобраных NOCO. Адаптары сілкавання могуць нагрывацца падчас нармальнай эксплуатацыі. Іх працяглы кантакт са скурай можа выклікаць цялесныя пашкоджванні. Забяспечвайце дастатковую вентыляцыю адаптараў пры іх выкарыстанні. Для забеспячэння максімальнага тэрміну службы акумулятара, не зараджаўце ваш выраб больш чым на тыздзень. Залішняя зарадка можа скараціць тэрмін службы акумулятара. З цягам часу, нявыкарыстаны прадукт будзе разраджацца і павінен быць зараджаны перад выкарыстаннем. Адрэчыце выраб ад крыніц сілкавання, калі вы не карыстаецеся ім. Выкарыстоўвайце выраб толькі па прызначэнні. **Медыцынскія прылады.** Выраб можа выпраменьваць электрамагнітныя хвалі. Выраб мае магнітныя кампаненты, якія могуць перашкодзіць праце кардыёстымулятара, дэфібрылятара ці іншых мед. прылад. Гэтыя электрамагнітныя хвалі могуць перашкаджаць кардыёстымулятарам або іншым медыцынскім прыладам. Перад карыстаннем, паразмаўляўце з вашым урачом, каб даведацца, ці ёсць у вас якія-небудзь медыцынскія прылады, у тым ліку кардыёстымулятары. Калі вам падаецца, што выраб замінае медыцынскія прылады, спыніце яго карыстанне неадкладна і звярнецеся да ўрача. **Медыцынскія ўмовы (хваробы).** Калі ў вас ёсць якія-небудзь медыцынскія ўмовы, якія, на вашу думку, могуць пацягнуць ад вырабу, у тым ліку, але не абмяжоўваючыся: прыпадкі, страта прытомнасці, ціск у вачах, галаўныя болі, паразмаўляўце з урачом перад выкарыстаннем вырабу. Выкарыстанне інтэграванага ліхтарыка вызначае адчувальнасць да святла. Выкарыстанне святла ў рэжыме Strobe (строб) можа выклікаць сутаргі ў людзей з фотаадчувальнымі эпілепсіямі, што можа прывесці да сур'ёзных траўмаў або смерці. **Святло.** Позірк прама ў ліхтарык можа прывесці да незваротных траўмаў зроку. Выраб мае моцныя светадыёд, які выпускае магутныя праменьні ў самым высокім рэжыме працы. **Ачыстка.** Выключыце выраб перад выкананнем любых працэдур тэхнічнага абслугоўвання і чысткі. Неадкладна ачысціце і прасушыце выраб, калі ён уступіў у кантакт з вадкасцю ці забруджвальнікам. Выкарыстоўвайце мяккую безворсавую тканіну (мікрафібру). Пазбягайце траплення вільгаці ў адтуліны. **Выбухованебяспечнае асяроддзе.** Строга выконвайце ўсе ўказанні і інструкцыі. Не выкарыстоўвайце выраб у зоне з патэнцыйна небяспечным асяроддзем, у тым ліку заправачных станцый або абласцей, якія ўтрымліваюць хімічныя рэчывы або часціцы (зерне), пыл або металічныя парашкі. High-Consequence Activities. Высокаследчая дзейнасць. Гэты выраб не павінен карыстацца там, дзе яго паломка можа прывесці да траўмаў, смерці або сур'ёзнага пашкоджання асяроддзя. Radio Frequency Interference. РРадыйчастотныя перашкоды. Выраб распрацаваны ў адпаведнасці з правіламі, якія рэгулююць радыёчастотныя выпраменьванні. Выпраменьванні вырабу могуць адмоўна ўплываць на працу іншага электроннага абсталявання, выклікаючы збоі ў працы. **Нумар мадэлі: GB500** Дадзеная прылада адпавядае Частцы 15 Правілаў FCC. Праца падпарадкоўваецца выкананню дзвюх умоў: (1) дадзеная прылада не можа выклікаць перашкоды, (2) прылада павінна прымаць любыя перашкоды, уключаючы перашкоды, якія могуць прывесці да няправільнай працы. **ЗАЎВАГА:** Дадзенае абсталяванне было правярана і прызнана адпаведным абмежаванням для лічбавых прылад Класа А, згодна з часткай 15 Правілаў FCC. Гэтыя абмежаванні распрацаваны для забеспячэння разумнай абароны ад перашкод пры эксплуатацыі вырабу ў камерцыйным асяроддзі. Выраб генеруе, выкарыстоўвае і можа

выпраменьваць радыёчастотныя хвалі. Калі ён не ўсталяваны і не выкарыстоўваецца ў адпаведнасці з інструкцыяй па эксплуатацыі, выраб можа ствараць перашкоды для радыёсувязі. Эксплуатацыя дадзенага абсталявання ў жылой зоне можа выклікаць перашкоды. У гэтым выпадку карыстальнік павінен будзе ліквідаваць перашкоды за асабісты кошт.

Інструкцыя карыстання

Крок 1: Зарядзіце GB500.

GB500 пастаўляецца часткова зараджаным, але павінен быць цалкам зараджаным перад выкарыстаннем. Падключыце GB500 з дапамогай прыкладаемага адаптара на 12V альбо адаптара сілкавання 56W XGC да порта 12V IN. GB500 павінен знаходзіцца ў рэжыме 12V дзеля зарадкі. Пераканайцеся, што рэгулятар напружання знаходзіцца ў становішчы 12V да пачатку зарадкі. Порт XGC 12V IN разлічаны на 12V, 5A для бяспечнай і эфектыўнай зарадкі ўнутранага літывага акумулятару. У адпаведнасці з правіламі FCC, мы раім не зараджаць і разраджаць выраб адначасова. Час для зарадкі GB500 будзе адрознівацца ў залежнасці ад узроўню разраду і выкарыстанай крыніцы сілкавання. Фактычныя вынікі могуць змяняцца ў залежнасці ад стану акумулятара.

25% 50% 75% 100%



Пры зарадцы, узровень зарада ўнутранага акумулятара адлюстроўваецца з дапамогай святлодыёдаў. Святлодыёды будуць мігаць на пазіцыях «On» і «Off». Міганне спыніцца калі ўсе чатыры святлодыёды зарадкі будуць уключаны. Пры поўнай зарадцы акумулятара, зялёны святлодыёд 100% будзе ўключаны, а святлодыёды зарада на 25%, 50% і 75% перайдуць ў стан «Off». Час ад часу, зялёны святлодыёд 100% будзе мігаць, што ўказвае на працэс тэхнічнай дазарадкі.

12V зарадка пастаянным токам (60W).

GB500 павінен быць у рэжыме 12V для зарадкі. Пераканайцеся, што рэгулятар напружання знаходзіцца ў становішчы 12V да пачатку зарадкі. Падключыце 12V кабель да порта 12V IN, усталяванага на GB500, а другі канец да 12V вілкі. Падключыце выраб у засілкаваны раз'ём 12V AUX (прыкурвальнік).

Зарадка пераменным токам (56W).

GB500 павінен быць у рэжыме 12V для зарадкі. Пераканайцеся, што рэгулятар напружання знаходзіцца ў становішчы 12V да пачатку зарадкі. Падключыце 12V XGC кабель да порта 12V IN, усталяванага на GB500, а другі канец адаптара сілкавання ў адаптары 56W пераменнага тока (насценная разетка з пераменным токам у 100-240V).

Сілкаванне прылад на 12V.

GB500 павінен знаходзіцца ў 12V рэжыме, каб забяспечыць працу порта 12V OUT. Падключыце 12V кабель да порта 12V OUT на GB500, а другі канец да раз'ёма 12V (12V AUX/прыкурвальнік). Падключыце любы стандартны выраб на 12V (макс. 15A) з вілкай на 12V і ўключыце GB500 (пазіцыя) «On», каб пачаць сілкаванне прылады.

Час зарадкі: 6-8 гадзін

Выкарыстанне 12V кабеля пастаяннага тока альбо адаптара пераменнага тока для зарадкі цалкам разраджанага блока. Час зарадкі будзе змяняцца ў залежнасці ад узроўня разраду.

Крок 2: Падключэнне да акумулятара.

Уважліва прачытайце кіраўніцтва карыстальніка транспартнага сродку ў тым, што датычыцца канкрэтных мер засцярогі і рэкамендуемых метадаў уключэння аўтамабілю. Пераканайцеся ў правільным вызначэнні напружання і хімічнага складу акумулятара. Звярніцеся да кіраўніцтва карыстальніка акумулятара перад выкарыстаннем вырабу. GB500 выкарыстоўваецца для запуску толькі 12-вольтавых і 24-вольтавых свінцова-кіслотных акумулятарных сістэм. Перад падключэннем да акумулятара, правярце напружанне сістэмы. Ніколі не змяняйце напружанне, пакуль прыбор падлучаны да батарэі. Змяняйце напружанне толькі тады, калі прыбор выключаны. Пераканайцеся, што махавік выбару напружання знаходзіцца ў правільным становішчы (12V ці 24V) і адпавядае запуску акумулятарнай сістэмы. Да GB500 не падыходзяць іншыя тыпы акумулятараў. Вызначыце правільную палярнасць клем акумулятара. Станоўчая клема звычайна пазначана літарамі ці сімвалам (POS, P, +). Адмоўны полюс, як правіла, пазначаны літарамі або сімвалам (NEG, N, -). Нестварайце падлучэнняў да карбюратара, паліўных ліній або тонкіх дэталей з ліставага металу. Прыведзеныя ніжэй інструкцыі прызначаны для адмоўнай сістэмы заземлення (найбольш распаўсюджанай). Калі ваш аўтамабіль з'яўляецца пракладам станоўчай сістэмы заземлення (вельмі рэдка), прытрымлівайцеся прыведзеных ніжэй інструкцый ў зваротным парадку.

- 1.) Далучыце адмоўны (чорны) бустэрны максімальны канэктар да адмоўнага порту на GB500.
- 2.) Далучыце станоўчы (чырвоны) бустэрны максімальны канэктар да станоўчага порту на GB500.
- 3.) Заўсёды ачышчайце клемы да далучэння заціскаў. ЗАУВАГА: няспраўныя злучэння або брудныя клемы могуць выклікаць ўтварэнне дыму. Акумулятары з вельмі нізкай напругай таксама павышаюць шанцы ўтварэння дыму.
- 4.) Падлучыце станоўчы (чырвоны) бустэрны максімальны канэктар да станоўчага (POS, P, +) тэрмілану акумулятара.
- 5.) Далучыце адмоўны (чорны) бустэрны максімальны канэктар да адмоўнага (NEG, N, -) тэрмілану акумулятара або шасі транспартнага сродка. (Зазямленне на корпус можа быць недарэчным пры запуску ад вонкавай крыніцы прылад з высокім энергаспажываннем).
- 6.) Пры адключэнні, адключайце у зваротным паслядоўнасці, выдаляючы першым адмоўны канэктар (або станоўчы для станоўчых сістэм заземлення).

Крок 3: Запуск.

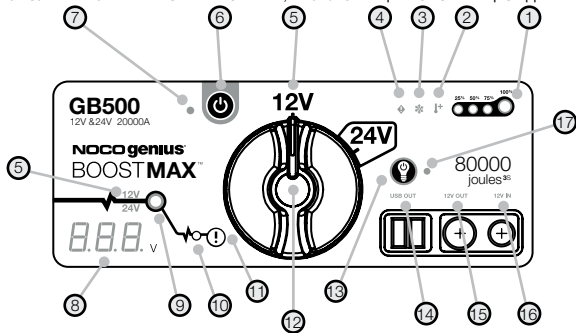
- 1.) Пераканайцеся, што ўсе сілавыя прылады аўтамабіля (фары, радыё, кандыцыянер і г.д.) выключаны перад уключэннем аўтамабіля. Калі аўтамабіль аснашчаны галоўным выключальнікам, павярніце яго ў становішча «ўключана».
- 2.) Націсніце на кнопку сілкавання, каб пачаць запуск. Усе святлодыёдны будучы мігаць, паказваючы, што яны функцыянуюць належным чынам. Калі вы правільна падключыліся да акумулятара, загарыцца белы бустэрны святлодыёд. Калі клемы акумулятара былі падключаны ў зваротным парадку, загарыцца чырвоны індыкатар памылкі. Падключыце сістэму абратным чынам, каб ліквідаваць памылку і пабачыць белы бустэрны святлодыёд. Белы бустэрны святлодыёд загарыцца, калі GB500 будзе гатовы да запуску аўтамабіля.
- 3.) Паспрабуйце запусціць аўтамабіль. Большасць транспартных сродкаў запусціцца імгненна. Некаторыя транспартныя сродкі запускаяцца пасля 30 секунд з моманту далучэння GB500. Калі рухавік не запускаяецца адразу, пачакайце 20-30 секунд і паспрабуйце зноў. Не спрабуйце запусціць аўтамабіль больш, чым пяць (5) паслядоўных разоў за перыяд ў пятнаццаць (15) хвілін. Дазвольце GB500 адлачыць на працягу пятнаццаці (15) хвілін, перш чым спрабаваць запусціць рухавік зноў.
- 4.) Пасля таго, як вы запусцілі свой аўтамабіль, адлучыце клемы акумулятара і зніміце GB500.

Нізка напружання акумулятары і ручное скасаванне

GB500 прызначаны для працы на свінцова-кіслотных акумулятарах з 2 да 12 вольт. Калі акумулятар ніжэй 2 вольт, бустэрны святлодыёд будзе на пазіцыі «Off». Гэта паказвае на тое, што GB500 ня можа выявіць акумулятар. Калі вам трэба запусціць акумулятар ніжэй за 2 вольт, маецца функцыя ручнога скасавання, якая дазваляе прымусова запусціць функцыю ўключэння.




УВАГА.

КАРЫСТАЙЦЕСЯ ГЭТЫМ РЭЖЫМАМ З ВЯЛІКАЙ ПЕРАСЦЯРОГАЙ. РЭЖЫМ ПРЫЗНАЧАНЫ ДЛЯ 12-ВАЛЬТОВЫХ ЦІ 24-ВАЛЬТОВЫХ СВІНЦОВА-КІСЛОТНЫХ АКУМУЛЯТАРАЎ. ПЕРАКАНАЙЦЕСЯ, ШТО МАХАВІК ЗНАХОДЗІЦЦА У ПРАВІЛЬНЫМ СТАНОВІШЧЫ (12V ЦІ 24V) І ПАДЫХОДЗІЦЬ ДЛЯ ЗАПУСКУ АКУМУЛЯТАРНАЙ СІСТЭМЫ. АДКЛЮЧАНЫЯ ЯК СІСТЭМА ІСКРЫ, ТАК І ЗВАРТНАЯ ПАЛЯРНАСЦЬ. НАДАВАЙЦЕ АСАБЛІВУЮ УВАГУ ПАЛЯРНАСЦІ АКУМУЛЯТАРА ПЕРАД УКЛЮЧЭННЕМ ГЭТАГА РЭЖЫМУ. НЕ ДАПУСКАЙЦЕ СУТЫКНЕННЯ ЦІ СУМЯШЧЭННЯ СТАНОУЧЫХ І АДМОУНЫХ КЛЕМАЎ АКУМУЛЯТАРА, БО ГЭТА БУДЗЕ ДАВАЦЬ ІСКРУ. ГЭТЫ РЭЖЫМ ВЫКАРЫСТОЎВАЕ ВЯЛІКУЮ НАПРУГУ (ДА 1000 АМПЕР), ШТО МОЖА ВЫКЛІКАЦЬ ІСКРУ І ЦЯПЛО ПРЫ КАРЫСТАННІ НЕНАЛЕЖНЫМ ЧЫНАМ. КАЛІ ВЫ НЕ ўПЭУНЕНАЯ ў ВЫКАРЫСТАННІ РЭЖЫМА, НЕ ўКЛЮЧАЙЦЕ ЯГО І ЗВЕРНІЦЕСЯ ДА ПРАФЕСІЯНАЛУ.



- 1. Унутраны ўзровень зарада** акумулятара адзначае ўзровень зарада ўнутранага акумулятара.
- 2. Святлодыёд Hot (горача)** гарыць чырвоным, калі прылада ў працоўным стане але набліжаецца да перагрэву. Мігаючы красны азначае, што выраб занадта гарачы для запуску, але астатнія функцыі яшчэ аператыўныя.
- 3. Святлодыёд Cold (халодна)** гарыць сінім. Выраб знаходзіцца ў працоўным стане але набліжаецца да ніжэйшай дапушчальнай тэмпературнай мяжы. Мігаючы сіні ўказвае на тое, што прылада занадта халодная для запуску, але іншыя функцыі яшчэ аператыўныя.
- 4. Святлодыёд памылкі** краснага колеру ўключаецца пры рэверсе палярнасці.
- Індикатар напружання паказвае напружанне сістэмы акумулятара GB500 ў дадзены момант. 12V гарыць белым колерам ў рэжыме на 12V і сінім колерам у рэжыме 24V.
- 6. Кнопка сілкавання** павінна быць націснена, каб уключыць ці выключыць блок.
- 7. Святлодыёд сілкавання гарыць** белым колерам пры ўключаным блоке.
- 8. Убудаваны вальтметр** счытвае напружанне акумулятара транспартнага сродку для пашыранай дыягностыкі і прадукінення няспраўнасцяў. Вальтметр аўтаматычна счытвае напружанне любога акумулятара (або акумулятарнай сістэмы), калі клеммы акумулятара падлучаныя, нават і тады, калі прылада выключана. Вальтметр счытвае напружанне ад ~ 3V да ~ 30V. Калі падлучаны акумулятар ніжэй за 3V, нічога не будзе адлюстроўвацца. У гэтай сітуацыі трэба адзначыць нагрузкі на акумулятар (уключаныя фары ці кандыцыянер пераменага тока), якія павінны быць выключаны, перш чым спрабаваць запусціць рухавік.
- 9. Бустэрны святлодыёд** загараецца белым колерам, калі бустэр актыўны. Калі прылада правільна падключана да акумулятара, GB500 аўтаматычна выяўляе акумулятар і пераходзіць у бустэрны рэжым (белы святлодыёд мігае пры актыўнай функцыі ручнога скасавання).
- 10. Святлодыёд ручнога скасавання** становіцца чырвоным пры ўключаным рэжыме ручнога скасавання.
- 11 Кнопка ручнога скасавання.** Для ўключэння, націсніце і ўтрымлівайце на працягу трох (3) секунд. УВАГА: Кнопка адключае рэжым бяспекі і ўручную прымушае актывацыю Бустэра. Карыстайцеся толькі тады, калі зарад акумулятара вельмі малы для выяўлення.
- 12. Кнопка выбару напружання.** Пераключаецца паміж рэжымамі ў 12V і 24V.
- 13. Кнопка рэжыму святла** дазваляе выбіраць сярод 7 светлавых рэжымаў: 100% > 50% > 10% > SOS > Міганне > Строб > Выкл.
- 14. Святлодыёд USB Out** свеціцца белым. Функцыя USB Out можа выкарыстоўвацца ў абодвух рэжымах 12V і 24V.
- 15. Святлодыёд 12V Out** свеціцца белым. Функцыя 12V Out можа выкарыстоўвацца толькі ў рэжыме 12V.
- 16. Святлодыёд 12V** свеціцца белым. Функцыя 12V можа выкарыстоўвацца толькі ў рэжыме 12V.
- 17. Святлодыёд рэжыму** святла свеціцца белым колерам, калі працоўнае святло ўключана, але выраб выключаны.

Пошук няспраўнасцяў

Памылка	Тэхнічныя характарыстыкі
<p> Святлодыёд памылкі: чырвоны колер</p> <p>Святлодыёд памылкі: адзіная (1) ўспышка</p> <p>Святлодыёд памылкі: Двойчая (2) ўспышка</p> <p>Святлодыёд памылкі: Тройчая (3) ўспышка</p> <p>Святлодыёд памылкі: Чатырохразовая (4) ўспышка</p> <p>Святлодыёд памылкі: Пяціразовая (5) ўспышка</p>	<p>Выяўлена зваротная палярнасць./Пералучыце палярнасць акумулятара.</p> <p>Кароткае замыканне на клеммах акумулятара./Выдаліце усе нагрузкі, перападключыце клеммы да акумулятара.</p> <p>Перыяд уключэння больш за дзесяць (10) хвілін. /Выключыце блок, затым уключыце сілкаванне.</p> <p>Ўнутраная няспраўнасць галоўнага выключальніка./Пераканайцеся, што махавік напружання правільна усталяваны на пазіцыю ў 12V альбо 24V.</p> <p>Падчас зарадкі знойдзена дрэнная ячэйка акумулятара. Адключыце блок і звярніцеся ў службу падтрымкі NOCO.</p> <p>Памылка токавай перагрузкі XGC OUT./Выдаліце нагрузку з XGC OUT, а потым адключыце і ўключыце сілкаванне.</p>
<p>+ Святлодыёд перагрэву: не міргае</p> <p>Святлодыёд перагрэву: міргае</p> <p>«Святлодыёд перагрэву: усе святлодыёды мігаюць, потым выключаюцца»</p>	<p>Апарат цалкам працаздольны, але набліжаецца да верхняй тэмпературнай мяжы./Дазвольце блоку астыць.</p> <p>Блок занадта гарачы, каб запусціцца, але ўсе іншыя функцыі яшчэ даступныя./Дазвольце астыць.</p> <p>Блок занадта гарачы, каб запусціцца і актываваць усе іншыя функцыі./ Дазвольце блоку астыць і перанясіце яго ў больш халодны пакой.</p>
<p> Святлодыёд холада: не мігае</p> <p>Святлодыёд холаду: мігае</p> <p>«Святлодыёд холаду: усе святлодыёды мігаюць, потым выключаюцца»</p>	<p>Выраб цалкам працаздольны, але набліжаецца да ніжняй мяжы тэмпературы./Дазвольце блоку нагрэцца.</p> <p>Блок занадта холадны, каб запусціцца, але іншыя функцыі яшчэ даступныя./ Дазвольце блоку нагрэцца.</p> <p>Блок занадта холадны, каб запусціцца або выкарыстаць іншыя функцыі./ Дазвольце блоку нагрэцца і перанясіце яго ў цёплае памяшканне.</p>
<p>Тэхнічная нататка</p>	<p>Літый-іённыя акумулятары самастойна награвваюцца пры выкарыстанні. Калі ўключаецца святлодыёд холада, паспрабуйце запусціць блок некалькі разоў каб разагрэць акумулятар і ліквідаваць памылку. Звычайна 3-4 спробы запуску дастатковы, каб прагрэць акумулятар і ліквідаваць памылку».</p>

Тэхнічныя характарыстыкі

Унутраны акумулятар: Літый-іённы (Вт/Гадзіна 266)

Пікавы нааўны ток: 20,000A

Джоўлі 3S: 80,000+

Працоўная тэмпература: Ад -30°C да +50°C (-22°F да +122°F)

Тэмпература зарадкі: 0°C да +40°C (32°F да +104°F)

Тэмпература захоўвання: -20°C да +50°C (-4°F да +122°F) (сярэдня тэмп.)

USB (выхад): Дваісты 5V, 2.1A

12V (уваход): 12V, 5A

12V (выхад): 12V, 15A

Кожух корпуса: IP65 (парты замкнёныя)

Астуджэнне: Натуральная канвекцыя

Памеры (Д x Ш x В): 12.25 x 8.25 x 2.25 цалі (311.15 x 209.55 x 57.15 mm)

Вага: 19 фунты

Гарантыя

NOCO Genius Адзін (1) год гарантыі.

Кампанія NOCO («NOCO») гарантуе, што гэты выраб («Выраб») будзе вольны ад дэфектаў матэрыялу і кампануюкі на працягу аднаго (1) года з моманту набыцця («Гарантыйны перыяд»). Дэфектыўныя вырабы, зарэгістраваныя на працягу гарантыйнага перыяду, будуць, з улікам аналізу тэхнічнай падтрымкі NOCO, альбо адрамантаваныя альбо замененыя на новыя. Запасныя часткі і вырабы будуць новымі альбо працоўнымі, параўнальнымі па функцыянальнасці і прадукцыйнасці з арыгінальнай часткай. Яны дастаўляюцца з гарантыяй, перакрываючай астатак гарантыйнага перыяду.

АДКАЗНАСЦЬ НОСО Ё СУВЯЗІ З ГЭТЫМ ДАГАВОРАМ АБМЯЖОЎВАОЦЦА ЗАМЕНАЙ ЦІ РАМОНТАМ. У МАКСІМАЛЬНА ДАЗВОЛЕНАЙ ЗАКОНАМ МЕРЫ НОСО НЕ НЯСЕ АНІЯКАЙ АДКАЗНАСЦІ ПЕРАД ПАКУПНІКОМ ВЫРАБУ ЦІ ЛЮБЫМ ТРЭЦІМ БОКАМ У ТЫМ, ШТО ДАТЫЧЫЦЦА СПЕЦЫЯЛЬНЫЙ, УСКОСНАЙ, ПАСЛЯДОЎНАЙ ЦІ ЎЗОРНАЙ ШКОДЫ, УКЛЮЧАЮЧЫ, АЛЕ НЕ АБМЯЖОЎВАЮЧЫСЯ, СТРАТАМІ Ў ПРЫБЫТКУ, ПАШКОДЖВАННІУ МАЁМАСЦІ, ТРАЎМАЎ АСОБЫ, УЗНІКАЮЧЫХ У ДАЧЫНЕННІ ДА ВЫРАБУ І ПА ЛЮБОЙ ПРЫЧЫНЕ, НАВАТ І ТАДЫ, КАЛІ НОСО БЫЛО ВЯДОМА АБ МАГЧЫМАСЦІ ТАКІХ ПАШКОДЖВАННЯЎ. ГЭТЫЯ ГАРАНТЫІ ПЕРАВЫШАЮЦЬ УСЕ ІНШЫЯ ГАРАНТЫІ, ВІДАВОЧНЫЯ, РАЗУМЕЮЧЫСЯ, СТАТУТНЫЯ І ІНШЫЯ, УКЛЮЧАЮЧЫ АЛЕ БЕЗ АБМЕЖАВАННЯЎ ГАРАНТЫІ НА КАМЕРЦЫЙНАСЦЬ ДЫ ПРЫДАТНАСЦЬ ДЛЯ КАНКРЭТНЫХ МЭТАЎ ДЫ МЭТАЎ, УЗНІКАЮЧЫХ У ЧАС ВЯДЗЕННЯ ЗДЗЕЛАК, КАРЫСТАННЯ ДЫ ГАНДЛЮ. У ВЫПАДКУ НАЯЎНАСЦІ ЗАКОНАЎ, ШТО ДАТЫЧУЦЦА ГАРАНТЫЙ, УМОЎ АБО АБЯЗАЦЕЛЬСТВАЎ, ЯКІЯ НЕ МОГУЦЬ БЫЦЬ ВЫКЛЮЧАНЫ ЦІ ЗМЕНЕНЫ, ГЭТЫ АРТЫКУЛ ЗАСТАЕЦЦА МАКСІМАЛЬНА ПРЫМЯНЯЛЬНЫМ У МЕЖАХ ЗАКОНА.

Гэтая гарантыя выраблена НОСО, яго афіцыйным дыстрыб'ютарам ці парсэднікам выключна на карысць першапачатковага пакупніка Вырабу і не можа быць перададзенай. Каб аформіць гарантыйную рэкламацыю, пакупнік павінен: (1) запытаць і атрымаць нумар дазволу на вяртанне тавару («RMA») і валодаць інфармацыяй аб месцазнаходжанні цэнтра ("Return Location") ад падтрымкі кліентаў НОСО, напісаўшы на пошту support@no.co або патэлефанаваўшы на 1.800.456.6626; (2) даслаць выраб, у тым ліку нумар RMA, квітанцыю або плату гарантыі (плата патрабуецца калі адсутнічае квітанцыя) у 45% ад рэкамендаванага рознічнага кошту дэфектыўнага вырабу («Гарантыйная плата») [RMA будзе ўключаць у сябе прыдатную суму гарантыі]. НЕ ДАСЫЛАЙЦЕ ВЫРАБ БЕЗ АТРЫМАННЯ RMA АД ПАДТРЫМКІ КАМПАНІІ НОСО.

ПАКУПНІК НЯСЕ (І ПАВІНЕН ЗРАБІЦЬ ПЕРАДАПЛАТУ) АДКАЗНАСЦЬ ЗА ЎПАКОЎКУ І ТРАНСПАРТНЫЯ РАСХОДЫ, ЗВЯЗАНЫЯ З АДГРУЗКАЙ ВЫРАБУ НА ГАРАНТЫЙНАЕ АБСЛУГАВАННЕ.

НЯГЛЕДЗЯЧЫ НА ВЫШЭЙ СКАЗАНАЕ, ГЭТА ГАРАНТЫЯ ЛІЧЫЦЦА НЕСАПРАЎДНАЙ І НЕ РАСПАЎСЯДЖВАОЦЦА НА ВЫРАБЫ, ЯКІЯ: (а) выкарыстоўваліся не па прызначэнні, выкарыстоўваліся няправільна, падвяргаліся злоўжыванню або неасцярожнаму абыходжанню, аварыям, няправільнаму захоўванню, эксплуатаваліся ва ўмовах залішняга напружання, тэмпературы, шоку, або вібрацый, нягледзячы на рэкамендацыі НОСО па бяспечнаму і эфектыўнаму выкарыстанню; (б) няправільна ўсталюваны, выкарыстаны ці тэхнічна абслужаны; (в) былі зменены без пісьмовай згоды НОСО; (г) былі разабраны, зменены або адрамантаваны НЕ персаналам кампаніі НОСО; (д) дэфекты, аб якіх было паведамлена пасля гарантыйнага перыяду.

ГАРАНТЫЯ НЕ РАСПАЎСЮДЖВАОЦЦА НА: (1) нармальны знос; (2) касметычныя пашкоджанні, якія не ўплываюць на функцыянальнасць; або (3) вырабы, на якіх адсутнічае, зменены ці сапсаваны серыйны нумар НОСО. Вы можаце зарэгістраваць ваш выраб НОСО у Інтэрнэце па адрасе: no.co/register. Калі ў вас ёсць пытанні што да гарантыі або вырабу, скантактуюцца з падтрымкай НОСО (адрас электроннай пошты і нумар тэлефона ўказаны вышэй) або пішыце на: The NOCO Company, 102 Glenwillow, OH 44139 USA.

NOCO genius[®] BOOSTMAX[™]

GB500



НЕБЕЗПЕКА

Посібник користувача та гарантія



ПЕРЕД ВИКОРИСТАННЯМ ЦЬОЇ ПРОДУКЦІЇ УВАЖНО ПРОЧИТАЙТЕ ВСЮ ІНФОРМАЦІЮ ЩОДО ТЕХНІКИ БЕЗПЕКИ. Недотримання цих інструкцій із техніки безпеки може спричинити **УРАЖЕННЯ ЕЛЕКТРИЧНИМ СТРУМОМ, ВИБУХ, ПОЖЕЖУ**, що в результаті може призвести до **СЕРІОЗНИХ ТРАВМ, СМЕРТІ** чи **ПОШКОДЖЕННЯ МАЙНА.**



Ураження електричним струмом. Дана продукція є електричним пристроєм, використання якого може призвести до ураження електричним струмом і спричинити серйозні травми. Не перерізайте кабелі живлення. Не занурюйте пристрій у воду та не намочуйте його.



Вибух. Використання несумісного чи пошкодженого акумулятора, а також залишення його без нагляду разом із пристроєм може призвести до вибуху. Під час використання не залишайте пристрій без нагляду. Не намагайтеся запустити пошкоджений чи замерзлий акумулятор. Пристрій слід використовувати лише з акумуляторами рекомендованого вольтажу. Використовуйте пристрій у добре провітрюваних приміщеннях.



Пошкодження очей. Під час роботи з пристроєм використовуйте захисні окуляри. Акумулятори можуть вибухнути та спричинити появу летючих уламків. Кислота в акумуляторі може призвести до пошкодження очей і шкіри. У разі її потрапляння в очі чи на шкіру, промийте уражену ділянку великою кількістю води та негайно зверніться до токсиколога.



Пожежа. Дана продукція є електричним пристроєм, який виділяє тепло і може спричинити опіки. Не накривайте пристрій. Під час використання пристрою не куріть та не використовуйте будь-яке джерело електричної іскри чи вогню. Тримайте пристрій подалі від легкозаймистих матеріалів.



Вибухові гази. Безпосередня робота зі свинцево-кислотним акумулятором є небезпечною. Під час звичайної роботи акумулятори виробляють вибухові гази. Щоб зменшити ризик вибуху акумулятора, дотримуйтеся всіх інструкцій із техніки безпеки, а також інструкцій, вказаних виробником акумулятора та виробником будь-якого обладнання, яке буде використовуватися безпосередньо з акумулятором. 1 Перегляньте попереджувальні маркування на цих пристроях і на двигуні.

Українська

Для отримання додаткової інформації та підтримки відвідайте:

www.no.co/support

Важливі застереження щодо техніки безпеки

Пропозиція 65. Закон штату Каліфорнія "Про гарантування безпеки питної води та захисту від токсичності" від 1986 р. Клеми і штири акумулятора, а також відповідні аксесуари містять хімічні речовини, у тому числі свинець. Відповідно до законодавства штату Каліфорнія, ці речовини спричиняють появу ракових захворювань, вроджених вад та інших проблем із репродуктивністю. **Особисті заходи безпеки.** Використовуйте пристрій лише за призначенням. Важливо, щоб неподалік перебувала особа, яка могла би прийти вам на допомогу в разі надзвичайної ситуації. На випадок ураження кислотою акумулятора потрібно мати поблизу запас чистої води та мила. Під час роботи поблизу акумулятора використовуйте захисні окуляри та одяг. Завжди мийте руки після безпосередньої роботи з акумулятором та іншими відповідними матеріалами. Забороняється носити та користуватися будь-якими металевими предметами під час роботи з акумулятором, у тому числі інструментами, годинниками чи прикрасами. При потрапленні металу на акумулятор може виникнути іскра чи коротке замикання, що може призвести до ураження електричним струмом, пожежі або вибуху і спричинити травму, смерть чи пошкодження майна. **Неповнолітні особи.** Якщо Покупець придбав цей пристрій для використання неповнолітніми особами, то перед використанням доросла особа, яка придбала пристрій, повинна надати детальні інструкції та застереження будь-якій неповнолітній особі. В іншому випадку вся відповідальність лягає на Покупця, який тим самим знімає відповідальність із компанії NOCO за будь-яке неналежне чи неправильне використання пристрою неповнолітніми особами. **Небезпека задущення.** Аксесуари можуть призвести до задущення дітей. Не залишайте дітей без нагляду разом із пристроєм чи будь-якими аксесуарами. Ця продукція не є іграшкою. **Переміщення.** Переміщайте пристрій дуже обережно. Пристрій можна пошкодити при ударі. Не використовуйте пристрій за наявності пошкоджень, які включають, серед іншого, тріщини корпусу чи пошкоджені кабелі. Не використовуйте пристрій при пошкодженні кабелю живлення. Вологість і рідини можуть пошкодити пристрій. Не розташовуйте пристрій чи будь-які електричні компоненти поблизу рідин. Зберігайте та використовуйте пристрій у сухому приміщенні. Не використовуйте пристрій, якщо він вологий. Якщо пристрій намокне під час роботи, від'єднайте його від акумулятора та негайно припиніть використання. Не від'єднуйте пристрій шляхом витягнення кабелів. **Модифікації.** Не намагайтеся переробляти, ремонтувати чи здійснювати будь-які модифікації пристрою. Розбирання пристрою може призвести до травм, смерті чи пошкодження майна. У разі пошкодження, несправності чи намокання пристрою припиніть його використання та зверніться до компанії NOCO. Будь-які модифікації продукту припиняють дію вашої гарантії. **Аксесуари.** Цей пристрій можна використовувати лише з аксесуарами від компанії NOCO. Компанія NOCO не несе відповідальності за безпеку користувача чи шкоду, заподіяну під час використання аксесуарів, від затверджених компанією NOCO. **Розміщення.** Не допускайте контакту акумуляторної кислоти з пристроєм. Не використовуйте пристрій у замкнених чи погано провітрюваних приміщеннях. Не розміщуйте акумулятор зверху на пристрої. Розміщуйте закінчення кабелів таким чином, щоб уникнути випадкового пошкодження під час руху деталей автомобіля (у тому числі капота і дверей), деталей двигуна (у тому числі лопатей вентилятора, ременів і блоків) або будь-чого, що становить небезпеку, яка може спричинити травму чи смерть. **Робочі температури.** Цей пристрій призначений для роботи при температурі наколишнього середовища від -30 °C до +50 °C. Не використовуйте пристрій поза цим діапазоном температур. Не намагайтеся запустити замерзлий акумулятор. У разі надмірного нагрівання акумулятора негайно припиніть використання пристрою. **Зберігання.** Не використовуйте та не зберігайте пристрій у місцях з надмірною концентрацією пилу чи аерозольних речовин. Зберігайте пристрій на рівних, безпечних поверхнях без ризику падіння. Зберігайте пристрій у сухих приміщеннях. Пристрій слід зберігати при температурі від -20 °C до +25 °C (при середньому значенні). У жодному разі не перевищуйте температурного показника у 80°C. **Сумісність.** Цей пристрій сумісний лише з 12- або 24-вольтними свинцево-кислотними акумуляторними системами. Не намагайтеся використовувати пристрій із будь-яким іншим типом акумулятора. Запуск інших типів акумуляторів може призвести до травм, смерті чи пошкодження майна. Зверніться до виробника акумулятора, перш ніж запускати акумулятор. Не намагайтеся

запускати акумулятор, якщо ви не впевнені в типі та вольтажі даного акумулятора. **Акумулятор.** Вбудований літій-іонний акумулятор у пристрої повинен замінюватися лише компанією NOCO, а після використання його потрібно переробити окремо від побутових відходів. Не намагайтеся замінити акумулятор самостійно та не торкайтеся пошкодженого чи протікаючого літій-іонного акумулятора. Ніколи не викидайте акумулятор разом із побутовими відходами. Поміщення акумуляторів разом із побутовими відходами є незаконним відповідно до державних і федеральних екологічних законів і норм. Використані акумулятори завжди слід відправляти в місцевий центр утилізації акумуляторів. Якщо акумулятор пристрою надто гарячий, виділяє запах, деформований, пошкоджений або під час роботи проявляє себе незвично, негайно припиніть його використання та зверніться до компанії NOCO. **Зарядка акумулятора.** Пристрій слід заряджати за допомогою 12 В блоку живлення постійного струму, що входить до комплекту постачання, або 56 Вт блоку живлення XGC. Намагайтеся не використовувати блоки живлення поганої якості, оскільки вони можуть призвести до сильного ураження електричним струмом, що спричинить травми, пошкодження пристрою чи майна. Використання пошкоджених кабелів чи зарядних пристроїв, або контакт із вологою під час зарядки може призвести до ураження електричним струмом. Компанія NOCO не несе відповідальності за безпеку користувача в разі використання аксесуарів і блоків живлення, не затверджених компанією NOCO. Під час звичного використання блок живлення може нагріватися, тому його тривалий контакт зі шкірою може призвести до травми. Слід завжди забезпечувати належну вентиляцію навколо блоку живлення під час його використання. Щоб продовжити тривалість експлуатації акумулятора, старайтеся не заряджати його впродовж тижня та більше, оскільки надмірна зарядка зменшує термін експлуатації акумуляторів. Якщо пристрій не використовувався протягом тривалого періоду, акумулятор розрядиться і його потрібно буде зарядити повторно перед використанням. Якщо пристрій не використовується, від'єднайте його від джерела живлення. Використовуйте пристрій лише за призначенням. **Медичні пристрої.** Пристрій може випромінювати електромагнітні поля. Пристрій містить магнітні компоненти, які можуть перешкоджати роботі кардіостимуляторів, дефібриляторів та інших медичних пристроїв. Такі електромагнітні поля можуть перешкоджати роботі кардіостимуляторів чи інших медичних пристроїв. У разі, якщо ви використовуєте будь-який медичний пристрій, у тому числі кардіостимулятор, проконсультуйтеся зі своїм лікарем, перш ніж використовувати даний пристрій. Якщо у вас виникають підозри, що даний пристрій може перешкоджати роботі певного медичного пристрою, негайно припиніть його використання та проконсультуйтеся зі своїм лікарем. **Медичний стан.** У разі, якщо у вас є проблеми зі здоров'ям (які включають, серед іншого, епілептичні напади, провали в пам'яті, перевтому очей чи головні болі), і ви вважаєте, що даний пристрій може негативно вплинути на нього, проконсультуйтеся зі своїм лікарем, перш ніж використовувати пристрій. Використання інтегрованого потужного ліхтаря є небезпечним у разі чутливості до світла. Використання світла в режимі імпульсної лампи може спричинити епілептичні напади в людей із світлочутливою епілепсією, що може призвести до серйозних травм чи смерті. **Світло.** Прямий погляд на ліхтар може спричинити постійну втрату зору. Пристрій оснащено світлодіодною фокусною лампою з високою світловіддачею, яка випромінює потужний промінь світла на найвищому рівні. **Очищення.** Перед здійсненням технічного обслуговування чи очищення від'єднайте пристрій від джерела живлення. У разі, якщо на пристрій потрапила рідина чи будь-який забруднювач, негайно протріть і висушіть його. Використовуйте м'яку, безворсову тканину (мікрофібру). Уникайте потрапляння вологи в отвори. **Вибухонебезпечне середовище.** Дотримуйтеся всіх знаків та інструкцій. Не використовуйте пристрій у приміщенні з потенційно вибухонебезпечним середовищем, у тому числі в місцях заправки або місцях, де знаходяться хімічні речовини або дрібні часточки, наприклад, зерно, пил чи металевий порошок. **Діяльність, що призводить до серйозних наслідків.** Цей пристрій не призначений для використання в тих випадках, коли його несправність може призвести до травм, смерті або ж завдати серйозної шкоди навколишньому середовищу. **Радіочастотні перешкоди.** Пристрій розроблено, протестовано та виготовлено відповідно до правил, що регулюють виділення радіочастот. Такі виділення, спричинені пристроєм, можуть негативно вплинути на роботу іншого електронного обладнання та призвести до його несправності. **Номер моделі: GB500.** Цей пристрій відповідає частині 15 правил Федеральної комісії зі зв'язку. Його робота залежить від двох наступних умов: (1) цей пристрій не повинен створювати шкідливих перешкод; (2) цей пристрій повинен приймати будь-які перешкоди,

у тому числі ті, які можуть спричинити збої в роботі. ПРИМІТКА: Це обладнання було протестовано та визнано таким, що відповідає обмеженням класу А цифрових пристроїв відповідно до частини 15 правил Федеральної комісії зі зв'язку. Ці обмеження призначені для забезпечення належного захисту від шкідливих перешкод, у разі комерційного використання обладнання. Це обладнання виробляє, використовує та виділяє радіочастоти і, в разі недотримання інструкції з експлуатації та встановлення, воно може спричинити шкідливі перешкоди для радіозв'язку. Використання цього обладнання в житлових зонах імовірно спричинить шкідливі перешкоди, в такому разі користувач буде змушений виправити наслідки перешкод за власні кошти.

Спосіб використання

Крок 1: Зарядка пристрою GB500.

Пристрій GB500 постачається частково зарядженим і його потрібно зарядити повністю, перш ніж використовувати. Підключіть пристрій GB500 до 12 В вхідного (IN) порту за допомогою 12 В блоку живлення, що входить до комплекту, або 56 Вт блоку живлення XGC. Пристрій GB500 повинен перебувати в режимі 12 В, щоб відбулася зарядка. Номінальні параметри вхідного (IN) порту XGC становлять 12 В, 5 А, що гарантує безпечну та ефективну зарядку внутрішнього літійового акумулятора. Відповідно до норм Федеральної комісії зі зв'язку, ми рекомендуємо не заряджати пристрій одночасно з його використанням. Час повторної зарядки пристрою GB500 залежатиме від рівня розрядження та джерела напруги, яке використовується. Реальні показники можуть відрізнятися відповідно до стану акумулятора.

Час повторної зарядки: 6-8 год

Використовуйте 12 В кабель постійного струму або блок живлення змінного струму для повторної зарядки пристрою, який повністю розрядився. Час повторної зарядки залежатиме від рівня розрядження.

25% 50% 75% 100%



Під час повторної зарядки рівень заряджання внутрішнього акумулятора вказують світлодіодні індикатори зарядки. На світлодіодних індикаторах повільно блиматимуть "Увімкнено (On)" та "Вимкнено (Off)" і вони почнуть світитися, поки всі чотири світлодіодні індикатори зарядки не ввімкнуться. Коли акумулятор заряджено повністю, засвітиться зелений світлодіодний індикатор 100%, а світлодіодні індикатори зарядки 25%, 50% і 75% вимкнуться. Час від часу зелений світлодіодний індикатор 100% блиматиме, вказуючи, що відбувається підтримання зарядки.

Зарядка - 12 В постійного струму (60 Вт).

Пристрій GB500 повинен перебувати в режимі 12 В, щоб відбулася зарядка. Перед здійсненням зарядки, переконайтеся, що регулятор вибору вольтажу знаходиться в положенні 12 В. Підключіть 12 В кабель до 12 В вхідного (IN) порту на пристрої GB500, а інший кінець до 12 В штекера. Підключіть 12 В штекер AUX із підтримкою живлення (порт прикурювача).

Зарядка - змінний струм (56 Вт).

Пристрій GB500 повинен перебувати в режимі 12 В, щоб відбулася зарядка. Перед здійсненням зарядки, переконайтеся, що регулятор вибору вольтажу знаходиться в положенні 12 В. Підключіть 12 В кабель XGC до 12 В вхідного (IN) порту на пристрої GB500, а інший кінець блоку живлення на 56 Вт до джерела змінного струму. Підключіть 12 В штекер AUX із підтримкою живлення (розетка - 100-240 В змінного струму).

Живлення 12 В пристроїв.

Щоб активувати 12 В вихід (12V OUT), пристрій GB500 повинен перебувати в режимі 12 В. Підключіть 12 В кабель до 12 В вихідного (OUT)

порту на пристрої GB500, а інший кінець до 12 В штепсельної розетки (12 В AUX / порт прикурювача). Підключіть будь-який стандартний 12 В пристрій (до 15 А) за допомогою 12 В штекера та ввімкніть ("On") пристрій GB500, щоб розпочати живлення потрібного пристрою.

Крок 2: Підключення до акумулятора

Уважно прочитайте інструкцію з експлуатації автомобіля стосовно спеціальних запобіжних заходів і рекомендованих методів запуску автомобіля від зовнішнього джерела. Перед використанням цього пристрою, обов'язково визначте вольтаж і тип акумулятора, переглянувши інструкцію до акумулятора. Пристрій GB500 призначено лише для запуску 12- та 24-вольтих свинцево-кислотних акумуляторів. Перед підключенням до акумулятора перевірте вольтаж акумуляторної системи. Переконайтеся, що регулятор вибору вольтажу знаходиться в правильному положенні (12 В чи 24 В), що відповідає акумуляторній системі, яка підлягає запуску. Ніколи не змінюйте напругу, поки пристрій з'єднано з акумулятором. Змінюйте напругу лише при вимкненому пристрої. Пристрій GB500 не підходить для інших типів акумулятора. Визначте правильну полярність клем акумулятора. Позитивна клема акумулятора зазвичай позначена наступними літерами чи символом: POS,P,+ . А негативна клема акумулятора зазвичай позначена такими літерами чи символом: NEG,N,- . Не здійснюйте жодних підключень до карбюратора, паливних проводів або до тонких частин із листового металу. Нижчевказані інструкції призначені для системи із заземленням негативного полюса (найбільш поширена). Якщо ж у вашому автомобілі система із заземленням позитивного полюса (дуже рідко), дотримуйтеся наступних інструкцій у зворотному порядку.

- 1.) Підключіть негативний (чорний) з'єднувач Boost Max до негативного порту на пристрої GB500.
- 2.) Підключіть позитивний (червоний) з'єднувач Boost Max до позитивного порту на пристрої GB500.
- 3.) Перш ніж з'єднати фіксатори, необхідно зачистити контакти штепсельного роз'єму. ПРИМІТКА: неправильне з'єднання або брудні контакти можуть спричинити виникнення диму. Акумулятор з дуже низькою напругою також може спричинити виникнення диму.
- 4.) Підключіть позитивний (червоний) з'єднувач Boost Max до позитивної (POS,P,+) клеми акумулятора.
- 5.) Підключіть негативний (чорний) з'єднувач Boost Max до негативної (NEG,N,-) клеми акумулятора чи шасі автомобіля.
- 6.) Здійсніть відключення у зворотному порядку, від'єднавши спершу негативний з'єднувач (або позитивний для систем із заземленням позитивного полюса).

Крок 3: Запуск від зовнішнього джерела

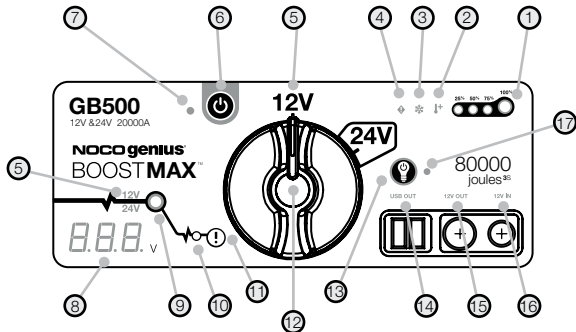
- 1.) Перш ніж запускати автомобіль від зовнішнього джерела, переконайтеся, що всі електричні навантаження на автомобіль (ліхтарі, радіо, кондиціонер тощо) вимкнено. (Заземлення на шасі може не підходити для запуску від зовнішнього джерела живлення).
- 2.) Натисніть кнопку живлення, щоб розпочати запуск від зовнішнього джерела. Усі світлодіодні індикатори почнуть блимати, вказуючи на належну роботу. Якщо підключення здійснено правильно, світлитиметься білий світлодіодний індикатор функціонування. Якщо ж акумуляторні затискачі підключені навпаки, світлитиметься червоний світлодіодний індикатор помилки. Поміняйте місцями затискачі, щоб усунути цю помилку, і тоді засвітиться білий світлодіодний індикатор функціонування. Білий світлодіодний індикатор функціонування світитиметься тоді, коли пристрій GB500 готовий запустити ваш автомобіль.
- 3.) Спробуйте запустити свій автомобіль. Більшість автомобілів запускаються миттєво. Для деяких автомобілів необхідно, щоб пристрій GB500 був підключений протягом 30 секунд до початку запуску автомобіля. Якщо автомобіль не запуститься зразу, зачекайте 20-30 секунд і спробуйте знову. Не намагайтеся здійснювати більше п'яти (5) запусків поспіль протягом п'ятнадцяти (15) хвилин. Дозвольте пристрою GB500 перепочити протягом п'ятнадцяти (15) хвилин перед наступною спробою запуску автомобіля.
- 4.) Запустивши свій автомобіль, від'єднайте акумуляторні затискачі та заберіть пристрій GB500.

Низьковольтні акумулятори та ручне розблокування

Пристрій GB500 розроблено для запуску свинцево-кислотних акумуляторів від 2 до 12 вольт. Якщо ваш акумулятор має менше 2 вольт, світлодіодний індикатор функціонування вимкнеться ("Off"). Це означає, що пристрій GB500 не відчуває акумулятор. Якщо вам все ж потрібно запустити акумулятор, вольтаж якого становить менше 2 В, тоді існує функція ручного розблокування, яка вимушено ввімкне функцію запуску.




ЗАСТЕРЕЖЕННЯ.

ВИКОРИСТОВУЙТЕ ЦЕЙ РЕЖИМ НАДЗВИЧАЙНО ОБЕРЕЖНО. ЦЕЙ РЕЖИМ ПРИЗНАЧЕНО ЛИШЕ ДЛЯ 12-ВОЛЬТНИХ СВИНЦЕВО-КИСЛОТНИХ АКУМУЛЯТОРІВ. ПЕРЕКОНАЙТЕСЯ, ЩО РЕГУЛЯТОР ВИБОРУ ВОЛЬТАЖУ ЗНАХОДИТЬСЯ В ПРАВИЛЬНОМУ ПОЛОЖЕННІ (12 В ЧИ 24 В), ЩО ВІДПОВІДАЄ АКУМУЛЯТОРНІЙ СИСТЕМІ, ЯКА ПІДЛЯГАЄ ЗАПУСКУ. ФУНКЦІЇ ЗАХИСТУ ВІД ІСКРЕННЯ ТА ЗМІНИ ПОЛЯРНOSTІ Є ВИМКНЕНІ. ПЕРЕД ВИКОРИСТАННЯМ ЦЬОГО РЕЖИМУ ЗВЕРНІТЬ ОСОБЛИВУ УВАГУ НА ПОЛЯРНІСТЬ НА АКУМУЛЯТОРІ. НЕ ДОЗВОЛЯЙТЕ ПОЗИТИВНОМУ ТА НЕГАТИВНОМУ АКУМУЛЯТОРНИМ ЗАТИСКАЧАМ ТОРКАТИСЯ ОДИН ОДНОГО, ЩОБ УНИКНУТИ ІСКРЕННЯ. ЦЕЙ РЕЖИМ ВИКОРИСТОВУЄ СИЛЬНИЙ СТРУМ (ДО 20,000 А), ЩО МОЖЕ СПРИЧИНИТИ ІСКРЕННЯ ТА НАДМІРНЕ ТЕПЛОУТВОРЕННЯ В РАЗІ НЕПРАВИЛЬНОГО ВИКОРИСТАННЯ. ЯКЩО ВИ НЕ ВПЕВНЕНІ В ДОЦІЛЬНОСТІ ВИКОРИСТАННЯ ЦЬОГО РЕЖИМУ, НЕ НАМАГАЙТЕСЯ РОБИТИ ЦЬОГО ТА ЗВЕРНІТЬСЯ ЗА ФАХОВОЮ ДОПОМОГОЮ.



- 1. Рівень внутрішнього акумулятора** вказує рівень зарядки внутрішнього акумулятора.
- 2. Світлодіодний індикатор нагріву** світиться червоним кольором: пристрій повністю справний, але наближається до максимального температурного ліміту. Блимає червоним кольором: пристрій надто гарячий для здійснення запуску, але інші функції все ще доступні.
- 3. Світлодіодний індикатор охолодження** світиться синім кольором: пристрій повністю справний, але наближається до мінімального температурного ліміту. Блимає синім кольором: пристрій надто холодний для здійснення запуску, але інші функції все ще доступні.
- 4. Світлодіодний індикатор помилки** світиться червоним кольором у разі виявлення зміненої полярності
- 5. Індикатор вольтажу** вказує вольтаж акумуляторної системи, до якої наразі підключений пристрій GB500. Індикатор 12V світиться білим кольором у режимі 12 В, а індикатор 24V світиться синім кольором у режимі 24 В.
- 6. Натисніть кнопку живлення**, щоб увімкнути ("On") та вимкнути ("Off") пристрій.
- 7. Світлодіодний індикатор живлення** світиться білим кольором, коли пристрій увімкнено ("On").
- 8. Вольтметр.** Вбудований вольтметр зчитує вольтаж автомобільного акумулятора, забезпечуючи розширену діагностику та вирішення проблем. Вольтметр автоматично зчитує вольтаж будь-якого акумулятора (чи акумуляторної системи) при підключенні акумуляторних затискачів, навіть якщо пристрій вимкнено.
Вольтметр зчитує вольтаж у діапазоні від ~3 В до ~30 В. Якщо вольтаж підключеного акумулятора нижчий ніж 3 В, нічого не відобразитиметься. Якщо вольтаж настільки низький, імовірно існує навантаження на акумулятор, наприклад, увімкнені ліхтарі чи вентилятор змінного струму, які слід вимкнути, перш ніж завести автомобіль.
- 9. Світлодіодний індикатор функціонування світиться білим кольором**, коли пристрій активовано. Якщо пристрій GB500 підключено до акумулятора правильно, він автоматично відчує акумулятор і активується (світлодіодний індикатор почне блимати білим кольором, коли активовано функцію ручного розблокування).
- 10. Світлодіодний індикатор режиму розблокування** світиться червоним кольором, коли режим розблокування активовано.
- 11. Кнопка ручного розблокування.** Щоб активувати, натисніть та утримуйте протягом трьох (3) секунд. УВАГА: Вимикає захист і вмикає ("On") примусовий запуск. Слід використовувати лише, якщо вольтаж акумулятора надто низький і пристрій не відчуває його.
- 12. Регулятор вибору вольтажу.** Поверніть, щоб вибрати між режимом 12 В і 24 В.
- 13. Кнопка режиму підсвічування.** Вмикає над'яскраве світлодіодне підсвічування в 7 режимах: 100% > 50% > 10% > SOS > Блимання > Імпульс > Вимкнено ("Off").
- 14. Світлодіодний індикатор USB-виходу** світиться білим кольором: функцію USB-виходу можна використовувати як в режимі 12 В, так і 24 В.
- 15. Світлодіодний індикатор 12 В виходу** світиться білим кольором: функцію 12 В виходу можна використовувати лише в режимі 12 В.
- 16. Світлодіодний індикатор 12 В входу** світиться білим кольором: функцію 12 В входу можна використовувати лише в режимі 12 В.
- 17. Світлодіодний індикатор** режиму підсвічування світиться білим кольором, коли увімкнено ("On") робоче освітлення, але пристрій все ще вимкнено.

Проблеми та способи їх вирішення

Помилка	Причина/Рішення
<p> Світлодіодний індикатор помилки: світиться червоним кольором</p> <p>Світлодіодний індикатор помилки: одноразове (1) блимання</p> <p>Світлодіодний індикатор помилки: подвійне (2) блимання</p> <p>Світлодіодний індикатор помилки: потрійне (3) блимання</p> <p>Світлодіодний індикатор помилки: чотириразове (4) блимання</p> <p>Світлодіодний індикатор помилки: п'ятиразове (5) блимання</p>	<p>Виявлена зміна полярності. / Змініть підключення до акумулятора.</p> <p>Виявлено коротке замикання на акумуляторних затискачах. / Усуньте будь-яке навантаження, здійсніть повторне підключення затискачів до акумулятора.</p> <p>Тривалість запуску становить більше десяти (10) хвилин. / Вимкніть ("Off") пристрій і ввімкніть ("On") його знову.</p> <p>Несправність внутрішнього головного перемикача. / Переконайтеся, що регулятор вибору вольтажу знаходиться в правильній позиції (12 В або 24 В).</p> <p>Під час зарядки виявлено несправний акумуляторний елемент. / Вимкніть пристрій та зверніться до служби підтримки компанії NOCO.</p> <p>Помилка перевантаження XGC-виходу (OUT). / Усуньте навантаження з XGC-виходу (OUT), тоді вимкніть ("Off") пристрій і ввімкніть ("On") його знову.</p>
<p>+ Світлодіодний індикатор нагрівання: світиться</p> <p>Світлодіодний індикатор нагрівання: блимає</p> <p>Світлодіодний індикатор нагрівання: блимає, а тоді всі світлодіодні індикатори вимикаються</p>	<p>Пристрій повністю справний, але наближається до максимального температурного ліміту. / Дозвольте пристрою охолонути.</p> <p>Пристрій надто гарячий для здійснення запуску, але інші функції все ще доступні. / Дозвольте пристрою охолонути.</p> <p>Пристрій надто гарячий для здійснення запуску чи інших функцій. / Дозвольте пристрою охолонути та перенесіть його в прохолодніше середовище.</p>
<p> Світлодіодний індикатор охолодження: світиться</p> <p>Світлодіодний індикатор охолодження: блимає</p> <p>Світлодіодний індикатор охолодження: блимає, а тоді всі світлодіодні індикатори вимикаються</p>	<p>Пристрій повністю справний, але наближається до мінімального температурного ліміту. / Дозвольте пристрою розігрітися.</p> <p>Пристрій надто холодний для здійснення запуску, але інші функції все ще доступні. / Дозвольте пристрою розігрітися.</p> <p>Пристрій надто холодний для здійснення запуску чи інших функцій. / Дозвольте пристрою розігрітися та перенесіть його в тепліше середовище.</p>
<p>Технічна примітка</p>	<p>Літій-іонні акумулятори нагріваються під час використання. Якщо світиться світлодіодний індикатор охолодження, спробуйте здійснити запуск декілька разів, щоб розігріти акумулятор та усунути помилку. Зазвичай достатньо 3-4 запусків, щоб розігріти акумулятор та усунути помилку.</p>

Технічні характеристики

Внутрішній акумулятор:	Літій-іонний (Ват-година 266)
Пікове значення струму:	20,000А
joules3S:	80,000+
Робоча температура:	від -30°C до +50°C (-22°F до +122°F)
Температура зарядки:	0°C до +40°C (32°F до +104°F)
Температура зберігання:	-20°C до +50°C (-4°F до +122°F) (середнє значення)
USB (вихід):	Подвійний 5V, 2.1A
12 В (вихід):	12В, 5А
12V (вихідний сигнал):	12В, 15А
Захист корпусу:	IP65V (порти закриті)
Охолодження:	Природна конвекція
Розміри (Д x Ш x В):	12.25 x 8.25 x 2.25 дюйма (311.15 x 209.55 x 57.15 mm)
Маса:	19 фунта

Гарантія

Обмежена гарантія NOCO Genius тривалістю один (1) рік

Компанія NOCO гарантує, що цей товар ("Товар") не матиме дефектів матеріалу та виробництва протягом одного (1) року з дати придбання ("Гарантійний період"). Якщо протягом Гарантійного періоду будуть виявлені недоліки, компанія NOCO, на свій розсуд і за умови здійснення аналізу службою технічної підтримки компанії NOCO, проведе ремонт несправного Товару або замінить його. Старі деталі будуть замінені новими або тими, які були у використанні, але перебувають у хорошому технічному стані, та які відповідають функціональності та продуктивності оригінальних деталей; гарантія на такі деталі діє до кінця оригінального Гарантійного періоду.

ВІДПОВІДНО ДО ЦЬОГО ДОКУМЕНТУ, ЗОБОВ'ЯЗАННЯМИ КОМПАНІЇ NOCO Є ЗАМІНА ДЕТАЛЕЙ АБО РЕМОНТ. ВІДПОВІДНО ДО ЗАКОНОДАВСТА, КОМПАНІЯ NOCO НЕ НЕСЕ ВІДПОВІДАЛЬНОСТІ ПЕРЕД ПОКУПЦЕМ ТОВАРУ АБО ІНШОЮ СТОРОННЬОЮ ОСОБОЮ ЗА БУДЬ-ЯКІ ОСОБЛИВІ, НЕПРЯМІ, ПОБІЧНІ ЧИ ТИПОВІ ГРОШОВІ ЗБИТКИ, В ТОМУ ЧИСЛІ, СЕРЕД ІНШОГО, ВТРАЧЕНИЙ ДОХІД, ПОШКОДЖЕННЯ МАЙНА ЧИ ТРАВМИ, ПОВ'ЯЗАНІ БУДЬ-ЯКИМ ЧИНОМ ІЗ ТОВАРОМ, НАВІТЬ ЯКЩО КОМПАНІЇ NOCO БУЛО ВІДОМО ПРО МОЖЛИВІСТЬ ТАКИХ ЗБИТКІВ. ГАРАНТІЙНІ ЗОБОВ'ЯЗАННЯ, ВИКЛАДЕНІ В ЦЬОМУ ДОКУМЕНТІ, ЗАМІНЮЮТЬ УСІ ІНШІ ГАРАНТІЙНІ ЗОБОВ'ЯЗАННЯ, ЯКІ БУЛИ ВИРАЖЕНІ, ПРИПУЩЕНІ, ВСТАНОВЛЕНІ ЗАКОНОМ ТОЩО, У ТОМУ ЧИСЛІ, СЕРЕД ІНШОГО, НЕЯВНІ ГАРАНТІЇ ПРИДАТНОСТІ ДЛЯ ПЕВНОЇ МЕТИ, А ТАКОЖ ТІ, ЩО ВІНИКЛИ ВНАСЛІДОК ЗВИЧАЙНОГО ВЕДЕННЯ СПРАВ, ВИКОРИСТАННЯ І ТОРГОВЕЛЬНОЇ ПРАКТИКИ. У РАЗІ, ЯКЩО БУДЬ-ЯКИЙ ВІДПОВІДНИЙ ЗАКОН НАКЛАДАТИМЕ ПЕВНІ ГАРАНТІЇ, УМОВИ ЧИ ЗОБОВ'ЯЗАННЯ, ЯКІ НЕМОЖЛИВО ВИКЛЮЧИТИ АБО ЗМІНИТИ, ЦЕЙ АБЗАЦ БУДЕ ЗАСТОСОВУВАТИСЯ ЛИШЕ В МЕЖАХ ВІДПОВІДНОГО ЗАКОНОДАВСТА.

Ця обмежена гарантія діє виключно на користь початкового покупця Товару, який придбав його в компанії NOCO або в дилера чи дистриб'ютора, затвердженого компанією NOCO, та не підлягає передачі. Щоб пред'явити гарантійні претензії, покупець повинен: (1) подати запит та отримати номер дозволу на повернення товару та місце, куди слід повернути товар ("Місце повернення") у службі підтримки компанії NOCO, відправивши повідомлення на електронну адресу support@no.co або зателефонувавши за номером 1-800-456-6626; та (2) надіслати Товар разом із номером дозволу на повернення товару, квитанцією або гарантійним внеском (внесок потрібний лише за відсутності квитанції) у розмірі 45% від рекомендованої роздрібною ціною виробника несправного Товару ("Гарантійний внесок") [Дозвіл на повернення товару міститиме суму Гарантійного внеску, який потрібно сплатити] у Місце повернення. НЕ НАДСИЛАЙТЕ ТОВАР БЕЗ ОТРИМАННЯ ДОЗВОЛУ НА ПОВЕРНЕННЯ ТОВАРУ В СЛУЖБІ ПІДТРИМКИ КОМПАНІЇ NOCO.

ПОЧАТКОВИЙ ПОКУПЕЦЬ НЕСЕ ВІДПОВІДАЛЬНІСТЬ (І ПОВИНЕН ВНЕСТИ ПОПЕРЕДНЮ ОПЛАТУ) ЗА ВСІ ВИТРАТИ НА ПАКУВАННЯ ТА ПЕРЕВЕЗЕННЯ ТОВАРУ ДЛЯ ГАРАНТІЙНОГО ОБСЛУГОВУВАННЯ.

НЕЗВАЖАЮЧИ НА ВИЩЕВКАЗАНЕ, ЦЯ ОБМЕЖЕНА ГАРАНТІЯ НЕ ДІЄ ТА НЕ ЗАСТОСОВУЄТЬСЯ ДО ТОВАРІВ: (а) що використовуються неналежним чином, неправильно переносяться, піддаються необережному чи недбалому поводженню, аваріям, неправильно зберігаються або експлуатуються в умовах екстремальних напруг, температури, ударів чи вібрації, що не відповідає рекомендаціям компанії NOCO щодо безпечного та ефективного використання; (б) встановлення, експлуатація та обслуговування яких здійснюється неправильно; (в) які перероблялися без письмової згоди компанії NOCO; (г) розбір, зміна чи ремонт яких не здійснювався фахівцем компанії NOCO; (р) про несправності яких було повідомлено після закінчення Гарантійного періоду.

ЦЯ ОБМЕЖЕНА ГАРАНТІЯ НЕ ПОКРИВАЄ: (1) звичайне зношування; (2) косметичні пошкодження, які не впливають на функціональність; або (3) Товари, де серійний номер компанії NOCO відсутній, змінений чи стертий.

Ви можете зареєструвати свій пристрій NOCO за адресою: no.co/register. Якщо у вас виникають будь-які запитання щодо гарантії чи товару, зверніться до служби підтримки компанії NOCO (адреса електронної пошти та номер телефону вказані вище) або напишіть за адресою: The NOCO Company, at 30339 Diamond Parkway, #102, Glenwillow, OH 44139 USA.

NOCO genius[®] BOOSTMAX[™]

GB500

 危険

ユーザーガイドおよび保証



本品の使用前に安全情報にすべて目を通し、理解するようにしてください。この安全情報に従わない場合、電気ショック、爆発、火災が生じるおそれがあり、重大な傷害、死亡、物的損害に至るおそれがあります。



【電気ショック】本品は電気装置のため、ショックおよび重傷を引き起こす可能性があります。電源コードを切らないでください。水に浸けたり、濡らしたりしないでください。



【爆発】モニタされていない、互換性がない、または損傷したバッテリーを製品に使用すると、爆発が生じるおそれがあります。使用中は機器の傍から離れないでください。損傷または凍結したバッテリーのジャンプスタートは行わないでください。推奨電圧のバッテリーのみを本品に使用すること。よく換気した場所で本品を使用すること。



【火事】本品は電気製品のため、発熱する場合があります。火災の原因となる可能性があります。本品を覆わないでください。本品の使用中は、喫煙しないこと。また、火花や火の発生源を使用しないこと。可燃性材料の近くに置かないこと。



【眼外傷】本品の使用時には眼の保護具を着用してください。バッテリーは爆発するおそれがあり、破片が飛び散る可能性があります。酸バッテリーにより眼および皮膚に刺激が生じるおそれがあります。眼に入った場合や皮膚に触れた場合は、当該部位を清潔な流水で洗い、すぐに中毒事故管理センターに連絡してください。



【爆発性ガス】バッテリーの近くで作業をすることは危険を伴います。バッテリーは通常の動作で爆発性ガスが生じます。バッテリー爆発のリスクを減らすため、すべての安全性情報や指示に従ってください。また、バッテリーや併用する周辺機器の製造業者が開示しているもの情報および指示、製品やエンジンの警告表示を再確認してください。

日本の

詳細およびサポートについては、次のURLを参照してください。

www.no.co/support

重要な安全上の警告

【**プロポジション65**】バッテリー電極、端子、および化学物質（鉛など）を含む関連付属品このような材料は、カリフォルニア州において癌の原因となったり、出生時欠損やほかの生殖への危害が生じることが知られています。【**個人レベルの注意**】本来の用途にのみ使用すること。緊急時に備え、声の届く場所にほかの人がいる環境で使用すること。バッテリー酸による汚染に備え、清潔な水と石鹼を準備しておくこと。バッテリーの傍で作業にあたる場合は保護メガネと保護服を着用すること。バッテリーおよび関連機器の取扱い後は必ず手を洗うこと。バッテリーを操作する際は金属（ツール、時計、宝石類など）を取り扱ったり、身に着けたりしないこと。金属をバッテリーの上に落下させると、火花や短絡が生じ、電気ショック、火災、爆発に至るおそれがあり、傷害、死亡、物品の損傷につながる可能性があります。【**未成年者**】「購入者」が未成年者に本品を使用させる場合、購入した大人が使用前に必ず詳細な使用説明書と警告を未成年者に提供することに同意すること。不可能である場合、NOCOへの補償について同意した「購入者」が、未成年者の意図しない使用や誤使用について単独で責任を負う。【**窒息の危険**】性付属品により、子供が窒息する危険性があります。子供の近くに製品や付属品を置くときは、かならず保護者が立ち会うこと。本品は玩具ではありません。【**取扱**】い気をつけて取り扱ってください。衝撃を与えた場合、本品が損傷することがあります。ケースにひびが入った場合や、ケーブルの損傷など、本品が損傷を受けた場合は使用しないでください。本品の電源コードが損傷した場合は使用しないでください。湿気があるところに置いたり、液体がかかるとすると本品が損傷することがあります。本品や電気部品を液体の近くで使用しないでください。本品は乾燥した場所で使用すること。濡れた場合は本品を使用しないこと。すでに使用した状態で濡れた場合、速やかにバッテリーから切断し使用を中止してください。切断するときはケーブルを引っ張らないこと。【**改造**】本品のいずれの部品についても、変更、改造、修理を試みないこと。本品を解体すると、傷害、死亡、物品の破損に至るおそれがあります。本品の損傷や故障、または液体がかかった場合は、直ちに使用を中止し、NOCOにご連絡ください。本品の改造を行った場合、一切の保証が無効になります。【**付属品**】NOCO社製の付属品のみが本品に使用できます。NOCO承認済みの付属品以外の使用による安全性および損害について、NOCOは一切の責任を負いません。【**位置**】本品に含まれる希硫酸の充電器との接触を避けてください。閉鎖された空間または十分な換気ができない場所で本品を操作しないでください。本品の上部にバッテリーを置かないこと。正しく配線することで、自動車部品（ボンネット、ドアを含む）、エンジン部品（ファン、ベルト、プーリーを含む）が動くことによる損傷または負傷や死亡の原因となる危険を回避することができます。【**作動温度**】本品は30℃～50℃での使用を想定して設計されています。この範囲外での操作を行わないでください。凍結したバッテリーのジャンプスタートは行わないでください。バッテリーの温度が過度に上昇した場合は、速やかに使用を中止してください。【**保管**】埃または空気中の物質の濃度が高い地域で本品の操作または保管を行わないでください。本品は落下の危険がない平らな場所に保管してください。乾燥した場所に保管すること。保管

時の温度:-20℃～25℃(平均)いずれの場合も80℃を超えないこと。【互換性】本製品は、12Vおよび24Vの鉛蓄電池バッテリーシステムとのみ互換性があります。本製品と他の種類のバッテリーを使用しないでください。他の種類のバッテリーをジャンプスタートすると、傷害、死亡、物的損害に至るおそれがあります。バッテリーをジャンプスタートする前に、バッテリーの製造業者までお問い合わせください。バッテリーの化学構造や、電圧についてご存知ない場合は、バッテリーをジャンプスタートさせないでください。バッテリー本製品に内蔵されているリチウムイオンバッテリーの交換はNOCO社のみが実施できます。また、使用済みのバッテリーは、家庭ごみと分別して廃棄する必要があります。ご自身でバッテリーの交換を行わないでください。また、損傷したバッテリーおよび漏れのあるバッテリーを取り扱わないでください。使用済みのバッテリーは、決して家庭ごみとして廃棄しないでください。家庭ごみとしてのバッテリーの廃棄は、州および連邦法に基づき非合法とされています。使用済みのバッテリーは、必ずお住まいの地域のバッテリー再利用センターで処理してください。本製品のバッテリーが過剰に熱をもっている場合、臭いを発する場合、変形、損傷がある場合またはその他の異常がある場合は、速やかにすべての使用を中止し、NOCO社にご連絡ください。【充電】本製品は、内蔵の12V DCアダプタまたは56W XGCパワーアダプタを用いて充電してください。劣化したアダプタを使用する場合は十分お気を付けてください。人的損害やデバイスの故障、物的損害に至る電気的リスクが生じるおそれがあります。損傷のあるケーブルや充電器を使用する場合、または湿気の多い場所では電気ショックが生じるおそれがあります。NOCO社の承認を受けていない付属品等を使用されている場合、使用者の安全についてNOCO社は一切の責任を負いません。電源アダプタは通常の使用時でも熱をもつことがあり、長時間皮膚に接している場合、傷害に至るおそれがあります。アダプタの使用時には、必ずその周りに十分な空間をとってください。バッテリーの寿命を延ばすには、一度に1週間以上充電しないでください。過充電によりバッテリーの寿命が短くなることがあります。製品を使用しない間も徐々に放電されているため、使用前には必ず充電してください。使用しない間は電源と接続しないでください。製品はその使用目的においてのみ使用してください。【医療機器】本品は電磁場を発するおそれがあります。本製品には、ペースメーカー、除細動器などの医療機器の機能を妨げる可能性のある磁性部品が含まれています。これらの部品がペースメーカーなど医療機器の機能を妨げる可能性があります。製品が医療機器の機能に影響を及ぼしている疑いがある場合、速やかに製品の使用を中止し、医師の診察を受けてください。医学的条件製品に影響を受ける可能性のある医学的状態がある場合(発作、黒くらみ、眼精疲労または頭痛など)、製品を使用する前に医師の診察を受けてください。高電力による閃光の使用によって光感受性発作を引き起こす危険性があります。ストロボモードで光を使用することで、感光性のてんかん発作が起こる可能性があり、場合によっては重大な外傷または死亡につながる恐れがあります。光を直接眼に当てると、永続的な眼の損傷をきたす可能性があります。本製品は、高出力のLEDプレフォーカスランプを搭載しているため、最大出力に設定した場合は強い光線を発します。【清掃】メンテナンスおよび清掃前に本品の電源を切ってください。液体がかかった場合や汚染された場合は、直ちに本品を清掃し、乾燥させてください。柔らかく、糸くずの出ない(マイクロファイバー)布を使用してください。湿気の多いところで開けないでください。【爆発性雰囲気】すべての表示および指示に従うこと。穀物、ほこり、金属粉末などの

化学物質や粒子が存在する給油領域または 区域などの爆発性雰囲気中で本品を動作させないでください。【大損害につながる行動故障した】本品の使用は意図されておらず、使用した場合は負傷、死亡または環境破壊の原因となります。【無線周波妨害】本品は、設計、試験、無線周波放出の規制に準拠して製造されています。本品からの無線周波放出は、誤動作を引き起こして、他の電子機器の動作に悪影響を与える可能性があります。【モデル番号:GB500】本品は FCC規則Part 15に従っています。操作は以下を条件とします。(1) 電波障害を起こさないこと、(2) 誤動作の原因となる電波障害を含む、受信されたすべての電波障害に対して正常に動作すること。注:この装置は、FCC規則Part 15に従って試験され、クラスAの電気機器の制限に適合していることが確認されています。この制限は、同装置が商業的環境において操作された際に受ける可能性のある電波障害に対する合理的な保護を行うよう設計されていることを示します。本装置は、高周波エネルギーを生成、使用、放出し、操作マニュアルに沿って設置および使用しない場合、電波障害を引き起こす可能性があります。居住環境において本装置を使用すると、有害な電波障害を引き起こすおそれがあり、この障害の修復に関してはユーザーの責任で行わなければなりません。

使用方法

ステップ1: GB500を充電する。

GB500は完全には充電されていない状態で梱包されています。使用前に完全に充電する必要があります。GB500を、内蔵の12Vアダプタまたは56W XGCを用いて12V INポートに接続します。充電時は、GB500を12Vモードにしてください。充電前に、電圧選択ノブが12Vの位置にあることを確認してください。XGC 12V INポートを12V、5A にし、内蔵リチウムバッテリーが安全かつ効果的に充電されるようにしてください。FCC規格に従って、ユニットの充電と放電を同時に行うことは推奨されません。GB500の充電時間は、その程度や使用する電源によって異なります。実際の結果はバッテリーの状態によって異なる場合があります。

充電時間: 6~8時間

12V DCケーブルまたはAC電源アダプタを使用して、完全に充電したユニットを充電してください。充電時間は放電の程度によって異なります。

25% 50% 75% 100%



充電中、充電LEDが内部バッテリーの充電状況を示します。ゆっくりと「オフ」、「オン」にパルス点灯し、4つの充電LEDがオンになるまで点灯します。バッテリーが完全に充電されると、100%緑色充電LEDが点灯し、25%、50%、75%充電のLEDが「オフ」になります。ときどき、100% LEDがパルス点灯し、メンテナンス充電中であることを示します。

12V DC充電(60W)。

充電時は、GB500を12Vモードにしてください。充電前に、電圧選択ノブが12Vの位置にあることを確認してください。12VケーブルをGB500の12V INポートに接続し、もう一方の端を12Vオスプラグに接続します。電源を入れた12V AUXプラグに接続し、シガレットライターポート)。

AC充電(56W)。

充電時は、GB500を12Vモードにしてください。充電前に、電圧選択ノブが12Vの位置にあることを確認してください。XGC 12VケーブルをGB500の12V INポートに接続し、56W電源アダプタのもう一方の端をAC電源(100~240VAC壁コンセント)に接続します。

12Vデバイスの電源を入れる。

12V OUTを有効にするには、GB500を12Vモードにしてください。12VケーブルをGB500の12V OUTポートに接続し、もう一方の端を12Vメスプラグ(12V AUX/シガレットライターポート)に接続します。通常の12Vデバイス(15Aまで)を12Vプラグに接続し、GB500を「オン」にしてデバイスを起動します。

ステップ2: バッテリーに接続します。

使用者マニュアルの「使用上の注意」および「ジャンプスタートにおける推奨使用方法」に関する項目を熟読し、十分に理解してください。本品の使用前にバッテリーの取扱説明書を参照することで、バッテリーの電圧と化学的性質を決定するようにしてください。GB500は、12Vおよび24Vの鉛蓄電池バッテリーシステムのジャンプスタートのみに対応しています。バッテリーに接続する前に、バッテリーシステムの電圧を確認してください。電圧選択ノブが、ジャンプスタートするバッテリーシステムに合った正しい位置(12Vまたは24V)にあることを確認してください。ユニットがバッテリーに接続された状態で電圧を変えないでください。電圧はユニットの電源がオフの状態でのみ変更してください。バッテリーのプラス端子は、通常、以下の文字や記号(POS、P+)が表示されています。バッテリーのマイナス端子は、通常、以下の文字や記号(NEG、N、-)が表示されています。キャブレター、燃料ライン、または薄い、板金部品への接続を行わないでください。以下の手順は、(最も一般的な)マイナスアースシステムのためのものです。あなたの車は、プラスアースシステム(非常に珍しいこと)であれば、逆の順序で、以下の手順に従ってください。

1.) マイナス(黒)ブーストマックスコネクタをGB500のマイナスのポートに接続します。

- 2.) プラス(赤)ブーストマックスコネクタをGB500のプラスのポートに接続します。
- 3.) クランプに接続する前に必ずターミナルのクリーニングを行ってください。注: 接続不良やターミナルの汚れは発煙の原因になります。バッテリーの電圧が非常に低い場合も発煙の可能性が高くなります。
- 4.) プラス(赤)ブーストマックスコネクタをGB500のプラス(POS、P、+)のバッテリー端子に接続します。
- 5.) マイナス(黒)ブーストマックスコネクタをGB500のマイナス(NEG、N、-)のバッテリー端子または自動車シャーシに接続します。(シャーシへのアースは大型車のジャンプスタートには適さない場合があります。)
- 6.) 接続を外すときは、逆の順番、すなわちマイナスから外すようにします(プラスの接地システムの場合はプラスから外す)。

ステップ3: ジャンプスタート。

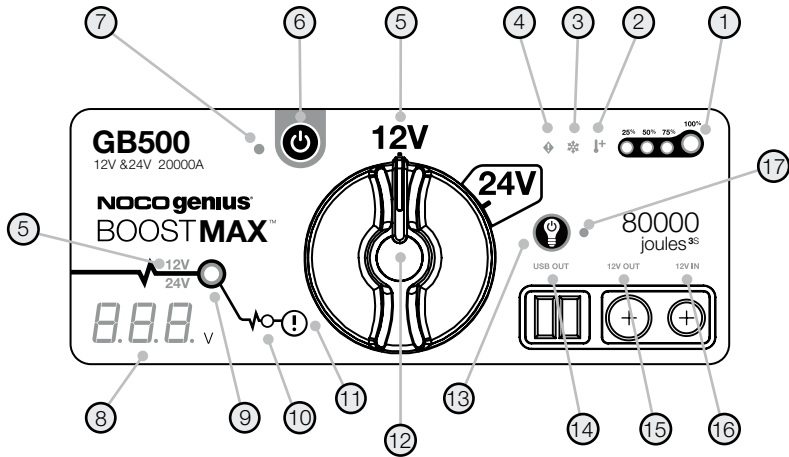
- 1.) 車両のジャンプスタートを開始する前に、すべての電力負荷(ヘッドライト、ラジオ、冷暖房等)がオフになっていることを確認します。車両にマスタースイッチが付いている場合は、「オン」の位置にしてください。
- 2.) 電源ボタンを押してジャンプスタートを開始します。すべてのLEDが点灯し、LEDがすべて正しく作動していることを示します。バッテリーへの接続が正常に行われている場合、白色LEDが点灯します。バッテリークランプが逆に接続されている場合は、エラーを示す赤色LEDが点灯します。正しく再接続を行うと白色LEDが点灯します。GB500が車両のジャンプスタートを行う準備が整うと、白色LEDが点灯します。
- 3.) 車両を起動します。ほとんどの車両がすぐに起動します。スタート前に30秒までの接続を必要とする車両もあります。車両が直ちにスタートしない場合、20~30秒待った後改めて操作を行ってください。15分以内に5回以上続けてジャンプスタートの操作を行わないでください。再度ジャンプスタートの操作を行う前に、15分静止させてください。
- 4.) 車両がスタートした後、バッテリークランプを抜去し、GB500を取り外してください。

◆ 低電圧バッテリーと手動オーバーライド。

GB500は、2V~12Vの鉛酸バッテリーのジャンプスタートを目的に設計されています。お持ちのバッテリーが2V未満の場合、LEDが「オフ」になります。これは、GB500がバッテリーを検出しないことを示します。この機能では、強制的にジャンプスタートを「オン」にすることが可能です。

◆ 注意。

このモードの使用には細心の注意を払うようにしてください。このモードは12Vまたは24V鉛蓄電池にのみ使用します。電圧選択ノブが、ジャンプスタートするバッテリーシステムに合った正しい位置(12Vまたは24V)にあることを確認してください。火花に対する保護および逆極性の保護機能が無効になっています。本モード使用前にバッテリーの極性について十分に注意をしてください。正と負のバッテリークランプが触れないようにしてください。本品から火花が発生します。本モードは非常に高い電流(20,000アンペアまで)を使用し、正しく使用されない場合、高温になる可能性があります。このモードの使用について不明な場合は、使用せず専門家の助言を求めてください。



- 1.内蔵バッテリーレベルが内蔵バッテリーの充電レベルを示します。
- 2.ホットLEDライトが赤色に点灯:ユニットは完全に操作可能ですが、温度上限に近づいています。赤色の点滅:ジャンプスタートするにはユニットの温度が高すぎます。他の機能は使用可能です。
- 3.コールドLEDライトが青色に点灯:ユニットは完全に操作可能ですが、温度下限に近づいています。青色の点滅:ジャンプスタートするにはユニットの温度が低すぎます。他の機能は使用可能です。
- 4.逆極性が検出された場合、エラーLEDライトが赤色に点灯します。
- 5.電圧表示画面には、現在設定されているGB500のバッテリーシステム電圧が表示されます。12Vモードでは12Vのライトが白色に点灯し、24Vモードでは24Vのライトが青色に点灯します。
- 6.電源ボタンでユニットの「オン」と「オフ」を切り替えます。
- 7.ユニットが「オン」のときは電源LEDライトが白色に点灯します。
- 8.電圧計:内蔵の電圧計により車両バッテリーの電圧を確認し、検出やトラブルシューティングを強化します。バッテリークランプが接続されている場合(ユニットの電源がオフの場合でも)、電圧計は自動的にバッテリー(またはバッテリーシステム)の電圧を読み取ります。電圧計は約3V~約30Vの電圧を読み取ります。3V以下のバッテリーに接続した場合は何も表示されません。このような状況では、ヘッドライトやACファンなどバッテリーに負荷がかかっている可能性があるため、車両の始動を試みる前にこれらを切る必要があります。
- 9.ブーストが有効になっている場合、ブーストLEDライトが白色に点灯します。ユニットがバッテリーに正しく接続されている場合、GB500は自動的にバッテリーを検出してブーストモードに入ります(手動オーバーライド機能が有効な場合は白色LEDが点滅します)。
- 10.手動オーバーライドが有効になっている場合、手動オーバーライドLEDライトが赤色に点灯します。
- 11.手動オーバーライドボタン:有効にするには、3秒間長押しします。警告:安全保護を無効にし、手動でブーストをオンにします。バッテリー電圧が低すぎて検出できない場合のみに使用します。
- 12.電圧選択ノブ:12Vモードと24Vモードで切替えを行います。
- 13.ライトモードボタン:7つのライトモードでワークライトを切り替えます。100% > 50% > 10% > SOS > 点滅 > ストロボ > オフ
- 14.USB出力LEDライトが白色に点灯します。USB出力機能は、12Vと24Vの両方のモードで使用できます。
- 15.12V出力LEDライトが白色に点灯します。12V出力機能は12Vモードでのみ使用できます。
- 16.12V入力LEDライトが白色に点灯します。12V入力機能は12Vモードでのみ使用できます。
- 17.ライトモードLEDは、ワークライトが「オン」になっているが、ユニットがオフのときに白く点灯します。

技術上の仕様

内部バッテリー:	リチウムイオン (ワット時 266)
ピーク電流レート:	20,000A
ジュール3S:	80,000+
動作温度:	-30°C~50°C (-22°F~+122°F)
充電時の温度:	0°C~+40°C (32°F~+104°F)
保管時の温度:	-20°C~+50°C (-4°F~+122°F) (平均)
USB(出力):	デュアル 5V, 2.1A
12V (入力):	12V, 5A
12V (出力):	12V, 15A
筐体保護:	IP65(ポートを閉じた状態)
冷却:	Natural Convection
寸法(長さ×幅×高さ)	12.25 x 8.25 x 2.25インチ (311.15 x 209.55 x 57.15 mm)
重量:	19ポンド

保証

NOCO Genius 1年限定保証

NOCO社(以下、「NOCO」)は、同社の製品(以下、「製品」)は、購入日から1年間材料および製造上の欠陥がないことを保証します(以下、「保証期間」)。保証期間中に欠陥が報告された場合、NOCOは、その自由裁量により、技術サポート分析に従って修理または交換のいずれかを行うものとします。交換部品や製品は、新品または使用済みであり、元の部品への機能や性能の同程度のものであり、元の保証期間の残りの期間保証されます。

NOCOが負う責任は、交換または修理に限定されます。法律によって許される最大の限度で、NOCO社は、購入者や第三者に対して、いずれの特別損失、間接的、結果的、あるいは例示的に生じた逸失利益、物質損傷、人体への傷害について、事前に知識を得ていた場合も、責任を負わないものとします。上述の保証は、ここに明示されていない他の保証すべてに代わるものであり、法において明示または暗示されている場合、あるいは市販性、特定目的との適合性などの点を含む(ただし必ずしもこれらに限定されない)明示または暗示の保証をすることなく提供します。適用される法律が、排除または変更できない保証、条件または義務を履行する場合、この条項はそのような法律で認められる最大限の範囲に適用されます。

この限定保証は、NOCOまたはNOCO認定の販売代理店または代理店からの本製品購入者の利益のためにのみ行われ、譲渡または譲渡することはできません。保証請求を主張するには、購入者は以下の条件を満たさなければなりません。(1) NOCOサポート(support@no.coまたは1.800.456.6626)における返品保証(RMA)番号の要求および取得、(2) 欠陥のある製品、RMA番号、MSRPの45%の手数料(「保証手数料」)[RMAに適用される保証料金額が含まれます]の領収書または保証料(領収書を提出しない場合に必要な手数料)を含む製品を返品用の住所に送付する。NOCOサポートからRMAを取得せずに製品を送付しないこと。

購入者は、保証サービスのために製品を送送するために、すべての梱包および運送費用を支払う必要があります(また、それを事前に準備しておく必要があります)。

上記の定めにかかわらず、製品が以下に当てはまる場合はこの限定保証は無効となり、適用されません。(a) 注意を怠った取扱いまたはNOCOが推奨する安全および効果的な使用基準を超えた過剰な気温、衝撃、振動に係る誤用、(b) 誤った方法で設置、作動、メンテナンスされている、(c) NOCOの書面による許可なく改造されている、(d) 製品がNOCO以外の者によって分解、変更、修理されている場合、(e) 保証機関以降に報告された不具合。

本限定保証は以下を含みません。(1) 通常使用による摩損(2) 機能に影響しない表面的な損傷(3) NOCOのシリアル番号がない場合、変更または汚損した場合

本限定保証は以下を含みません。(1) 通常使用による摩損(2) 機能に影響しない表面的な損傷(3) NOCOのシリアル番号がない場合、変更または汚損した場合。

オンラインで登録するにはno.co/registerにアクセスしてください。保証や製品について質問がある場合は、NOCOサポート(上記のEメールまたは電話番号)にご連絡いただくか、下記住所まで書面でお知らせください。The NOCO Company, at 30339 Diamond Parkway, #102, Glenwillow, OH 44139 USA.

NOCO genius[®] BOOSTMAX[™]

GB500

사용자 설명서 및 보증



위험



본 제품을 사용하기 전에 모든 안전 정보를 읽고 숙지하십시오. 아래 안전 지침을 따르지 않을 경우, 심각한 상해, 사망, 또는 재산상의 손해를 초래할 수 있는 감전, 폭발, 화재가 발생할 수 있습니다.



감전. 제품은 감전 및 심각한 상해를 초래할 수 있는 전기 장치입니다. 전원 코드를 절단하지 마십시오. 물에 잠기거나 젖지 않게 하십시오.



폭발. 모니터링 되지 않거나, 호환되지 않거나, 또는 파손된 배터리를 제품과 함께 사용하는 경우, 폭발할 수 있습니다. 사용 중 제품을 방치하지 마십시오. 손상되거나 언 배터리를 점프 스타트하지 마십시오. 권장 전압의 배터리만 제품을 사용하십시오. 환기가 잘되는 장소에서 제품을 사용하십시오.



화재. 제품은 열을 방출하고 화상을 초래할 수 있는 전기 장치입니다. 제품을 덮어 두지 마십시오. 제품을 작동할 때, 담배를 피우거나 또는 전기 스파크나 불의 소스를 사용하지 마십시오. 제품을 가연성 물질로부터 멀리하십시오.



눈 부상. 제품을 작동할 때 보안경을 착용하십시오. 배터리가 폭발하여 파편이 발생할 수 있습니다. 배터리의 산이 눈과 피부에 자극을 줄 수 있습니다. 눈이나 피부가 오염된 경우, 해당 부위를 즉시 깨끗한 물로 씻어내고 독물질 제어(poison control) 팀에 연락하십시오.



폭발성 가스. 납산 가까이서 작업하는 것은 위험합니다. 배터리는 일반 배터리 작동 중에 폭발성 가스를 생성합니다. 배터리 폭발의 위험을 줄이기 위해, 모든 안전정보 지침 그리고 배터리 제조 업체 및 배터리의 가까이서 사용할 모든 장비의 제조 업체에서 발행하는 지침을 따르십시오. 이러한 제품들 및 엔진에 대한 주의표시를 검토하십시오.

한국어

자세한 정보 및 지원:

www.no.co/support

중요 안전 경고

Proposition 65 (제안 65호). 배터리 포스트, 터미널, 및 관련 부품들은 납 등의 화학물질을 포함하고 있습니다. 이러한 물질들은 암, 기형아 출산 및 기타 생식능력에 피해를 유발하는 것으로 (미국) 캘리포니아 주에 알려져 있습니다. **개인 주의사항.** 의도한 용도로만 제품을 사용합니다. 만일의 경우에 대비하여, 작동자의 음성을 들을 수 있을 정도의 범위 내 또는 도움을 줄 수 있는 거리에 누군가가 있어야 합니다. 배터리 산 오염의 경우에 대비하여, 가까이에 깨끗한 물과 비누가 준비되어 있어야 합니다. 배터리 근처에서 작업하는 동안, 눈을 완전히 보호할 수 있는 보안경 및 보호복을 착용하십시오. 배터리 및 관련 물질을 취급한 후에는 항상 손을 씻으십시오. 배터리로 작업할 때, 도구, 시계나 보석 등의 금속물질을 처리하거나 착용하지 마십시오. 금속이 배터리에 떨어질 경우, 상해, 사망 또는 재산상의 손해를 초래할 수 있는 전기 충격이나 합선이 발생할 수 있습니다. **미성년자.** "구매자"가 제품을 미성년자가 사용할 의도로 구입하는 경우, 제품을 구입하는 성인은 해당 미성년자가 사용하기 전에 자세한 지침과 경고를 제공하는 데 동의함을 의미합니다. 이를 이행하지 않은 경우, 미성년자에 의한 의도하지 않은 사용이나 오용에 대해 NOCO에게 책임을 묻지 않겠다고 동의한 "구매자"의 전적인 책임입니다. **질식 위험.** 부품들은 아이들에게 질식의 위험이 있습니다. 어린이를 제품 또는 액세서리와 남겨둔 채 방치하지 마십시오. 제품은 장난감이 아닙니다. **취급.** 제품을 주의해서 취급하십시오. 충격을 받을 경우 제품이 손상될 수 있습니다. 케이스에 균열이나 손상 케이블을 포함하여, 하지만 이에 국한되지 않고, 손상된 제품을 사용하지 마십시오. 손상된 전원 코드로 제품을 사용하지 마십시오. 습도 및 액체가 제품을 손상할 수 있습니다. 제품이나 전기부품을 액체 가까이에서 처리하지 마십시오. 건조한 장소에서 제품을 보관하고 작동하십시오. 젖은 경우 제품을 사용하지 마십시오. 작동 중 충전기가 젖었을 경우, 전기 콘센트와 배터리로부터 분리하고 즉시 사용을 중지하십시오. 케이블을 당겨서 제품을 분리하지 마십시오. **수정.** 제품의 어느 부분도 변경, 수정 또는 수리하려고 하지 마십시오. 제품 분해는 상해, 사망 또는 재산상의 손해를 초래할 수 있습니다. 제품의 손상, 오작동 또는 액체와 접촉한 경우, 사용을 중지하고 NOCO에 문의하십시오. 제품을 수정한 경우 보증은 무효화됩니다. **부속품.** 이 제품은 NOCO 부품과 함께 사용할 경우에 한하여 사용이 승인되었습니다. NOCO가 승인하지 않은 부품을 사용할 경우, NOCO는 사용자의 안전이나 손해에 대해 책임을 지지 않습니다. **위치.** 배터리의 산이 제품에 접촉하지 않도록 하십시오. 밀폐된 장소 또는 환기가 제한된 곳에서 제품을 사용하지 마십시오. 제품 위에 배터리를 올려놓지 마십시오. 케이블 리드는, 움직이는 자동차 부품 (후드와 도어 포함), 움직이는 엔진 부품(팬 블레이드, 벨트 및 풀리)에 의한 불의의 손상을 방지하도록, 또는 상해나 사망의 원인이 될 수 있는 위험물이 되지 않도록 두십시오. **작동 온도.** 충전기는 주위 온도 -30°C ~ 50°C에서 작동하도록 설계되었습니다. 이 온도 범위 밖에서 작동하지 마십시오. 언 배터리를 접프 스타트하지 마십시오. 배터리가 지나치게 뜨거워지면 즉시 제품의 사용을 중단하십시오. **보관.** 먼지나 공기 중 물질의 농도가 높은 곳에서 제품을 사용하거나 보관하지 마십시오. 떨어질 가능성이 없는, 평평하고 안전한 면에 제품을 보관하십시오. 건조한 장소에 제품을 보관하십시오. 보관 온도는 -20°C ~ 20°C(평균 온도)입니다. 어떤 조건에서도 절대 80°C를 넘지 마십시오. **호환성.** 이 제품은 12V 및 24V 납산 배터리 시스템 전용입니다. 제품에 다른 유형의 배터리를 사용하지 마십시오. 다른 화학성분의 배터리를 접프 스타트 할 경우, 상해, 사망 및 재산상의 손해를 초래할 수 있습니다. 배터리를 접프 스타트 하기 전에, 배터리 제조업체에 문의하십시오. 배터리의 특정 화학성분 또는 전압을 모르는 경우 배터리를 접프 스타트 하지 마십시오. **배터리.** 제품에 내장 된 리튬 이온 배터리는 NOCO로 교체해야 하며, 가정용과 분리하여 별도로 재활용 또는 폐기해야 합니다. 배터리를 직접 교체하지 말고 손상되었거나 액체가 흘러나오는 리튬 이온 배터리를 다루지 마십시오. 배터리를 가정용 쓰레기와 함께 폐기하지 마십시오. 배터리를 가정용 쓰레기와 함께 폐기하는 것은 (미국의 경우 주 및 연방) 환경 법률 및 규정에

따라 불법으로 간주됩니다. 사용한 배터리는 항상 해당 지역의 배터리 재활용센터로 가지고 가십시오. 제품의 배터리가 지나치게 뜨겁거나, 냄새가 나거나, 변형되거나, 절단되거나 또는 비정상적으로 작동하면, 즉시 모든 사용을 중지하고 NOCO에 문의하십시오. NOCO. **배터리 충전.** 포함된 USB 충전 케이블과 NOCO 10W 12V 전원 어댑터로 제품을 충전하십시오. EN 301489-34, IEC 62684, YD/T 1591-2009, CNS 15285, ITUL 20,000 등의 표준 중 하나 이상에 부합하는 USB 2.0 또는 표준 전원 어댑터와 호환되는 타사 USB 케이블 및 5W 또는 10W 전원 어댑터. 좋지 않은 품질의 전원 어댑터 사용은 사람, 장치 및 재산에 손상을 초래할 수 있는 심각한 전기적 위험에 노출될 수 있으므로 유의하십시오. 타사 USB 전원 어댑터를 사용하는 경우, 해당 전원 어댑터가 위의 기준(들)을 준수하는 지 제조업체에 문의하여 확인하십시오. 손상된 케이블 또는 충전을 사용하거나 수분이 있는 상태에서 충전하면, 전기 충격이 발생할 수 있습니다. 범용 또는 타사 전원 어댑터를 사용하면 제품의 수명이 단축되고 오동작이 발생할 수 있습니다. NOCO는, NOCO가 승인하지 않은 부속품이나 소모품을 사용하는 경우 사용자의 안전에 대한 책임을 지지 않습니다. USB 전원 어댑터로 제품을 충전하는 경우, 전원 콘센트에 연결하기 전에 AC 플러그가 완전히 어댑터에 삽입되어 있는지 확인합니다. 전원 어댑터는 정상적인 사용 중에 따뜻해 질 수 있고, 장시간 피부에 접촉하면 신체적 부상을 입을 수 있습니다. 전원 어댑터를 사용하는 경우, 주변에서 항상 적절한 환기가 될 수 있도록 합니다. 최대한의 배터리 수명을 보장하기 위해서는, 일주일 한 번 이상 제품을 충전하지 마십시오. 과충전은 배터리 수명을 단축시킬 수 있습니다. 시간이 지남에 따라, 사용하지 않은 제품은 방전시키고 사용하기 전에 다시 충전해야 합니다. 사용하지 않는 경우, 제품을 전원에서 분리합니다. 의도된 목적으로만 제품을 사용합니다. **의료 기기.** 제품은 전자기장을 방출할 수 있습니다. 제품은 자기 구성 요소를 포함하고 있어서, 심장 박동기, 제세동기 또는 기타 의료 기기를 방해할 수 있습니다. 이러한 전자기장은 심장 박동기 또는 기타 의료 기기를 방해할 수 있습니다. 심장 박동기 같은 의료 기기가 있다면, 사용하기 전에 담당 의사와 상의하십시오. 제품이 의료 기기를 방해한다고 의심되는 경우, 즉시 사용을 중지하고 의사와 상의하십시오. **의료상의 문제.** 제품이 의해 영향을 받을 수 있다고 생각되는 발작, 실신, 눈의 피로 또는 두통을 포함하는 (그러나 이에 국한되지 않는) 질병이 있는 경우, 제품을 사용하기 전에 담당 의사와 상의하십시오. 집적된 고성능 손전등 사용은 눈의 빛에 대한 감도 위험이 포함되어 있습니다. 스트로브 모드에서의 라이트를 사용은 광감수성 간질을 앓고 있는 사람의 경우 발작을 일으켜 심각한 부상이나 사망을 초래할 수 있습니다. **라이트.** 손전등을 직접 응시하면 눈에 영구적인 손상을 초래할 수 있습니다. 본 제품은, 최고 설정에서 강력한 광선을 방출하는 고출력 LED 프리포커스(pre-focused) 램프가 장착되어 있습니다. **청소.** 유지보수 또는 청소를 하기 전에 충전기의 플러그를 뽑습니다. 액체 또는 기타 오염 물질에 접촉한 경우, 즉시 제품을 청소하고 건조합니다. 부드럽고 보풀이 없는(극세사) 헝겊을 사용합니다. 개방된 부분에 습기가 들어 가지 않도록 주의하십시오. **폭발 위험의 환경.** 모든 기호와 지침을 준수하십시오. 연료를 공급장소 또는 곡물, 먼지 또는 금속분말과 같은 화학 물질이나 입자가 있는 장소 등의, 폭발위험 지역에서는 제품을 사용하지 마십시오. **고-위험성 활동.** 이 제품은, 장치의 실패가 상해, 사망 또는 심각한 환경피해로 이어질 수 있는 곳에서는 사용하지 말아야 합니다. **무선 주파수 간섭.** 제품은 무선 주파수 방출을 관리하는 규정에 준수하여 설계, 시험 및 제작되었습니다. 제품에서 발생하는 이러한 방출량은 전자 기기의 작동에 부정적인 영향을 끼쳐 오작동을 일으킬 수 있습니다. **모델 번호: GB500** 이 장치는 FCC 규정 제15조를 준수합니다. 작동에는 다음 두 가지 조건이 적용됩니다: (1) 이 장치가 유해한 간섭을 일으키지 않아야 하며, (2) 이 장치가 원하지 않는 작동을 유발할 수 있는 간섭을 포함하여 수신하는 모든 간섭을 수용해야 합니다. 주의: 이 장비는 테스트 결과 FCC 규정 제15 조에 따라, 테스트를 통해 A등급 디지털 장치에 대한 제한사항을 준수하는 것으로 판명되었습니다. 이 제한사항은 장비가 상업적 환경에서 작동할 때 유해한 간섭으로부터 합리적인 보호를 제공하도록 고안되었습니다. 이 장비는 무선 주파수 에너지를 생성, 사용 및 방출할 수 있으며, 지침 설명서에 따라 설치 및 사용하지 않을 경우 무선 통신에 유해한 간섭을 유발할 수 있습니다. 주거 지역에서 이 장비를 작동하면 유해한 간섭을 유발할 수 있습니다. 이 경우, 사용자는 자신의 비용으로 간섭을 교정해야 합니다.

사용방법

단계 1: GB500 충전.

GB500은 부분적으로 충전되어 판매되므로, 사용하기 전에 완전히 충전해야 합니다. 포함된 12V DC 어댑터 또는 56W XGC 전원 어댑터를 사용하여 GB500을 12V IN(입력) 포트에 연결합니다. 충전하려면 GB500가 반드시 12V 모드이어야 합니다. 충전하기 전에 전압 선택 손잡이가 12V 위치에 있는지 확인하십시오. 내부 리튬 배터리의 안전하고 효율적인 충전을 보장하기 위한 XGC 12V IN(입력) 포트의 정격은 12V, 5A입니다. FCC 규정에 따라, 장치를 동시에 충전 및 방전하지 않는 것이 좋습니다. GB500을 충전하는 시간은 방전 레벨과 사용 전원에 따라 다릅니다. 실제 결과는 배터리 상태에 따라 다를 수 있습니다.

재충전 시간: 6-8시간

12V DC 어댑터 또는 56W XGC 전원 어댑터를 사용하여 완전히 방전된 장치를 재충전하십시오. 재충전 시간은 방전 레벨에 따라 다릅니다.

25% 50% 75% 100%



재충전 할 때, 내부 배터리의 충전 레벨은 Charge LED에 표시됩니다. LED는 천천히 'On'과 'Off'를 반복하고, 4개의 Charge LED가 모두 켜지면 계속 불이 켜진 상태가 됩니다. 배터리가 100% 충전되면, 초록색 100% LED에 불이 켜진 상태가 되고 25%, 50% 및 75% Charge LED는 "꺼집니다". 때때로 초록 100% LED가 깜박거리는데, 이는 유지보수 충전이 진행 중임을 나타냅니다.

12V DC 충전 (60W).

충전하려면 GB500가 반드시 12V 모드이어야 합니다. 충전하기 전에 전압 선택 손잡이가 12V 위치에 있는지 확인하십시오. 12V 케이블을 GB500의 12V IN(입력)포트에 연결하고, 다른 쪽 끝을 12V 수 플러그에 연결하십시오. 전원이 공급되는 12V AUX 플러그(담배 라이터 포트)에 연결하십시오.

AC 충전 (56W).

충전하려면 GB500가 반드시 12V 모드이어야 합니다. 충전하기 전에 전압 선택 손잡이가 12V 위치에 있는지 확인하십시오. XGC 12V 케이블을 GB500의 12V IN(입력)포트에 연결하고, 56W 전원 어댑터의 다른 쪽 끝을 AC 전원(100-240VAC 벽면 콘센트)에 연결하십시오.

12V 장치에 전력 공급.

12V OUT(출력)을 사용하려면 GB500가 반드시 12V 모드이어야 합니다. 12V 케이블을 GB500의 12V OUT(출력)포트에 연결하고, 다른 쪽 끝을 12V 암 플러그(12V AUX/담배 라이터 포트)에 연결하십시오. 12V 플러그로 표준 12V 장치(최대 15A)를 연결하고 GB500을 "On"으로 설정하여 장치의 전원을 켜십시오.

단계 2: 배터리에 연결.

차량 주행을 시작하기위한 특정 주의사항과 권장 방법에 대해서는 차량 소유자 설명서를 주의 깊게 읽고 숙지하시기 바랍니다. 배터리 사용설명서를 참조하여 배터리의 전압과 화학성분을 결정한 후, 이 제품을 사용해야 합니다. GB500은 12V 및 24V 납산 배터리 점프 스타트에만 사용할 수 있습니다. 배터리에 연결하기 전에, 배터리 시스템 전압을 확인하십시오. 전압 선택 손잡이가 점프 스타트 되는 배터리 시스템과

일치하는 올바른 위치에 있는지 (12V 또는 24V) 확인하십시오. 유닛이 배터리에 연결되어 있는 동안에는 절대로 전압을 변경하지 마십시오. 유닛이 연결되어 있지 않을 때만 전압을 변경해야 합니다. 배터리에 연결하기 전에 12V 납산 배터리인지 확인하십시오. GB500은 다른 유형의 배터리에는 적합하지 않습니다. 배터리의 단자의 정확한 극성을 확인합니다. 배터리의 양극 단자는 일반적으로 POS,P,+와 같이 문자나 기호로 표시됩니다. 배터리의 음극 단자는 일반적으로 NEG,N,-와 같이 문자나 기호로 표시됩니다. 기화기(카뷰레터), 연료 공급선 또는 얇은 판금 부품에 연결하지 마십시오. 아래는 (가장 일반적) 마이너스 접지 방식에 대한 지시사항입니다. 차량이 (매운 드문) 플러스 접지 방식일 경우, 아래 지시사항을 반대 순서로 따릅니다.

- 1.) 음극(검정색) Boost Max 커넥터를 GB500 음극 포트에 연결하십시오.
- 2.) 양극(빨간색) Boost Max 커넥터를 GB500 양극 포트에 연결하십시오.
- 3.) 클램프에 연결하기 전, 반드시 터미널을 깨끗이 청소하십시오. 주의: 연결이 불량하거나 터미널이 더러우면 연기가 발생하는 원인이 될 수 있습니다. 배터리의 전압이 매우 낮은 경우 역시 연기가 발생할 가능성이 높아집니다.
- 4.) 양극(빨간색) Boost Max 커넥터를 양극(POS, P, +) 배터리 단자에 연결하십시오.
- 5.) 음극(검정색) Boost Max 커넥터를 음극(NEG,N,-) 배터리 단자 또는 차량의 차대에 연결하십시오. (대형 물체의 시동을 걸 경우, 차대에 접지하는 것은 적절치 않습니다.)
- 6.) 분리할 때는, 음극을 먼저 제거하여 역순으로 분리(또는 플러스 접지 방식일 경우 양극을 먼저 제거)합니다.

단계 3: 점프 스타트.

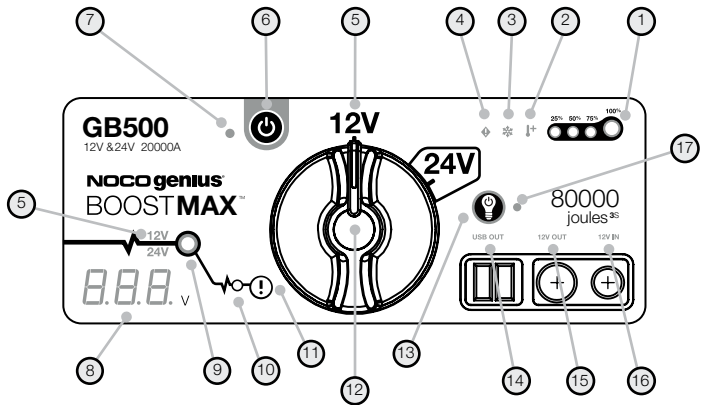
- 1.) 차량을 점프 스타트하기 전에, 차량의 동력 부하(전조등, 라디오, 에어컨 등)가 꺼져 있는지 확인하십시오. 차량에 마스터 스위치가 있으면 이를 "on" 위치에 놓아 켜십시오.
- 2.) 전원(Power) 버튼을 눌러 점프 스타트를 시작합니다. 모든 LED 깜빡임: 모든 LED가 제대로 작동 함을 나타냅니다. 배터리에 제대로 연결되어 있으면, 흰색 Boost LED가 켜집니다. 배터리 클램프가 반대로 연결되면, 빨간색 오류 LED가 켜집니다. 이 오류에 대해, 연결을 반대로 전환하면 **흰색 Boost LED가 켜집니다. GB500가 차량을 점프 스타트할 준비가 되면, 흰색 Boost LED가 켜집니다.**
- 3.) 차량에 시동을 겁니다. 대부분의 차량은 즉시 시동이 걸립니다. 일부 차량은 GB500을 최대 30초 동안 연결해야 시동이 걸릴 수도 있습니다. 차량이 즉시 시동이 걸리지 않으면, 20~30초 정도 기다렸다가 다시 시도하십시오. 심오(15)분 동안에 오(5)회를 초과하여 연속적으로 점프 스타트를 시도하지 마십시오. 다시 차량을 점프 스타트할 때, GB500을 심오(15)분 동안 기다렸다 시도하십시오.
- 4.) 차량에 시동을 건 후에는, 배터리 클램프를 분리하고 GB500을 분리하십시오.

저전압 배터리 및 '수동 조작'.

GB500은 시작 전압이 12V 납산 배터리 (2V 배터리까지) 점프 스타트하도록 설계되었습니다. 배터리가 2V보다 낮으면, Boost LED가 "Off" 됩니다. 이는 GB500이 배터리를 감지할 수 없다는 표시입니다. 2V 미만의 배터리를 점프 스타트해야 하는 경우에는, '수동 조작' 기능이 있어서 점프 스타트 기능을 "On"으로 설정할 수 있습니다.




주의.

이 모드는 특별한 주의를 기울여 사용하십시오. 이 모드는 12V 또는 24V 납산 배터리 전용입니다. 전압 선택 손잡이가 점프 스타트 되는 배터리 시스템과 일치하는 올바른 위치에 있는지 (12V 또는 24V) 확인하십시오. 스파크 방지 및 역극성 보호 기능 둘 다, 사용할 수 없습니다. 이 모드를 사용하기 전에 배터리의 극성을 잘 확인하십시오. 양극 및 음극 배터리 클램프가 서로 닿거나 연결되지 않도록 하십시오. 제품이 스파크를 일으킬 수 있습니다. 이 모드는 스파크를 일으킬 수 있는 매우 높은 전류(최대 20,000A)를 사용하며 적절하게 사용하지 않으면 고열을 발생시킵니다. 이 모드를 사용하는 것에 대해 확신이 서지 않으면, 시도하지 말고 전문가의 도움을 구하십시오.



1. **내부 배터리 레벨:** 내부 배터리의 충전 레벨을 나타냅니다.
2. **핫 LED가 고정 빨간색으로 켜짐;** 장치가 완전히 작동하지만, 온도 상한점에 접근하고 있습니다. 깜빡이는 적색; 장치가 점프 스타트하기에 너무 뜨겁지만, 다른 기능은 계속 사용할 수 있습니다.
3. **콜드 LED가 고정 파란색으로 켜짐;** 장치가 완전히 작동하지만, 온도 하한점에 접근하고 있습니다. 깜빡이는 파란색; 장치가 점프 스타트하기에 너무 차갑지만, 다른 기능은 계속 사용할 수 있습니다.
4. **역극성이 감지되는 경우,** 오류 LED 빨간색으로 켜집니다.
5. **전압 표시기가 GB500이 현재 설정되어 있는 배터리 시스템 전압을 나타냅니다.** 12V 모드에서는 12V가 흰색으로 켜지고, 24V 모드에서는 24V가 파란색으로 켜집니다.
6. **전원(Power) 버튼:** 이 버튼을 눌러 장치를 "On" 및 "Off" 상태로 만듭니다.
7. **전원(Power) LED:** 장치가 "On"이면 흰색이 켜집니다.
8. **전압계:** 내장된 전압계가 향상된 진단 및 문제 해결을 위해 자동차 배터리의 전압을 읽습니다. 배터리 클램프가 연결되면 전압계는, 장치의 전원이 꺼져 있더라도 배터리(또는 배터리 시스템)의 전압을 자동으로 읽습니다. 전압계는 ~ 3V와 ~ 30V 사이의 전압을 읽습니다. 연결된 배터리가 3V 미만이면 아무 것도 표시되지 않습니다. 이 경우, 전조등 및 에어컨 팬과 같은 배터리에 부하가 존재하는 가능성이 있으며, 차량에 시동을 걸기 전에 이들을 차단해야/꺼야 합니다.
9. **Boost LED:** Boost를 사용하면 흰색이 켜집니다. 장치가 배터리에 올바르게 연결되면, GB500이 자동으로 배터리를 감지하고 Boost 모드가 시작됩니다('수동 조작' 기능이 활성화된 경우 흰색 LED가 깜박입니다).
10. **'수동 조작' 기능이 활성화되는 경우,** 수동 조작 LED가 고정 빨간색으로 켜집니다.
11. **수동 조작 버튼:** 활성화하려면 삼(3)초 동안 길게 누릅니다. 경고: 안전 보호를 비활성화하고 수동으로 Boost 를 "On"으로 설정합니다. 배터리가 너무 낮아 감지되지 않을 때만 사용하십시오.
12. **전압 선택 손잡이:** 손잡이를 돌려서 12V와 24V 모드 사이를 전환합니다.
13. **라이트 모드 버튼:** 작업등을 다음과 같은 7가지 라이트 모드로 전환합니다: 100% > 50% > 10% > SOS > Blink > Strobe > Off.
14. **USB Out LED가 흰색으로 켜짐;** USB Out(출력) 기능을 12V 및 24V 모드에서 모두 사용할 수 있습니다.
15. **12V Out LED가 흰색으로 켜짐;** 12V 모드에서만 12V Out(출력) 기능을 사용할 수 있습니다.
16. **12V Out LED가 흰색으로 켜짐;** 12V 모드에서만 12V In(입력) 기능을 사용할 수 있습니다.
17. **작업등은 "On"이지만 장치가 "Off"인 경우,** 라이트 모드 LED가 흰색으로 켜집니다.

문제 해결

오류	원인/해결책
 오류 LED: 고정 빨간색 오류 LED: 깜빡임 1회 오류 LED: 깜빡임 2회 오류 LED: 깜빡임 3회 오류 LED: 깜빡임 4회 오류 LED: 깜빡임 5회	역극성이 감지되었습니다. / 배터리 연결을 반대로 하십시오. 배터리 클램프에서 누전이 감지되었습니다. / 모든 부하를 제거하고, 클램프를 배터리에 다시 연결하십시오. 점프 스타트 시간이 십(10)분을 초과했습니다. / 장치 전원을 껐다가 켭니다. ("Off"한 후, 다시 "On") 내부 마스터 스위치 오류입니다. / 전압 선택 손잡이가 올바른 위치에 있는지 (12V 또는 24V) 확인하십시오. 충전 중에 잘못된 배터리 셀이 감지되었습니다. / 장치를 끄고, NOCO 지원센터에 문의하십시오. XGC OUT 과전류 오류. / XGC OUT의 부하를 제거하고, 장치 전원을 껐다가 켭니다. ("Off"한 후, 다시 "On")
 핫 LED: 고정 핫 LED: 깜빡임 핫 LED: 깜빡이다가 모든 LED 꺼짐	장치가 완전히 작동하지만, 온도 상한점에 접근하고 있습니다. / 장치를 식히십시오. 장치가 점프 스타트하기에 너무 뜨겁지만, 다른 기능은 계속 사용할 수 있습니다. / 장치를 식히십시오. 장치가 점프 스타트 또는 다른 기능을 사용하기에 너무 뜨겁습니다. / 장치를 식힌 다음, 장치를 더 시원한 곳으로 옮기십시오.
 콜드 LED: 고정 콜드 LED: 깜빡임 콜드 LED: 깜빡이다가 모든 LED 꺼짐	장치가 완전히 작동하지만, 온도 하한점에 접근하고 있습니다. / 장치를 따뜻하게 합니다. 장치가 점프 스타트하기에 너무 차갑지만, 다른 기능은 계속 사용할 수 있습니다. / 장치를 따뜻하게 합니다. 장치가 점프 스타트 또는 다른 기능을 사용하기에 너무 차갑습니다. / 장치를 따뜻하게 한 다음, 장치를 더 따뜻한 곳으로 옮기십시오.
기술적 참고사항	리튬이온 배터리는 사용 시 스스로 더워집니다. 콜드 오류 LED가 켜지는 경우, 점프 스타트를 여러 번 시도하여 배터리를 따뜻하게 해서 오류를 제거하십시오. 일반적으로, 3-4회의 점프 스타트는 배터리를 따뜻하게 하기에 충분하며, 오류를 제거할 수 있습니다.

기술 사양

내부 배터리: Lithium-Ion (와트시 266)

피크 전류 정격: 20,000A

joules3S: 80,000+

작동 온도: -30°C ~ +50°C (-22°F ~ +122°F)

충전 온도: 0°C to ~ 40°C (32°F ~ +104°F)

보관 온도: -20°C ~ +50°C (-4°F ~ +122°F) (평균 온도)

USB (출력): 듀얼 5V, 2.1A

12V (입력): 12V, 5A

12V (출력): 12V, 15A

배터리 보호: IP65 (w/포트 닫힘)

냉각: Natural Convection

크기 - 길이(L)x폭(W)x높이(H): 12.25 x 8.25 x 2.25 인치 (311.15 x 209.55 x 57.15 mm)

무게: 19 파운드

보증

NOCO Genius - 일(1)년 제한적 보증.

The NOCO Company("NOCO")는, 이 제품(이하 "제품")에 대해 소재 및 제조기술에 결함이 없음을 구입 날짜로부터 일(1)년 동안("보증 기간") 보증합니다. 보증 기간 동안 보고된 결함에 대해서, NOCO는 자체 판단에 따라 그리고 NOCO의 기술 지원 분석에 따라, 결함이 있는 제품을 수리 또는 교체해 드립니다. 교체 부품 및 제품은 원래의 부품에 기능과 성능에 필적하는 신제품 또는 사용 가능한 중고품으로, 원래 보증 기간의 잔여 기간 동안 보증합니다.

하기 명시된 NOCO의 책임은 교체 또는 수리에 한하여 명시적으로 제한됩니다. 법률이 허용하는 최대 한도 내에서 NOCO는, 이익 손실, 재산 피해 또는 인적 상해를 포함하되 이에 국한되지 않는 모든 특별 손해, 간접적, 파생적 또는 징계적 손해에 대해, NOCO가 그러한 손해의 가능성에 대해 알고 있었다 하더라도, 어떠한 방식으로든 제품 구매자 또는 제3자에게 책임을 지지 않습니다. 여기에 명시된 보증은 상품성 및 특정 목적에의 적합성에 대한 묵시적인 보증을 포함하여, 명시적 또는 묵시적 보증을 제외한 모든 명시적, 묵시적, 법적 또는 기타 보증을 대신하며 취급, 사용 또는 거래의 과정에서 기인하는 모든 보증을 대신합니다. 배제되거나 수정할 수 없는 적용 법률에 따라 보증이나 조건 또는 의무가 부과된 경우, 이 조항은 해당 법률에서 허용하는 최대한의 범위에 적용됩니다.

이 제한적 보증은 NOCO, NOVO 승인 재판매자 또는 유통업자로부터 구매한 최초 구매자에 한하고, 다른 사람이나 단체에 적용되지 않으며, 할당 또는 양도할 수 없습니다. 보증 청구를 주장하기 위해 구매자는 다음을 수행해야 합니다: (1) support@noco.co로 이메일을 보내거나 1.800.456.6626로 전화하여, NOCO 지원센터로부터 물품반송승인서("RMA") 번호 및 반송위치정보("반송 위치")를 요청하십시오; 그리고 (2) 영수증 또는 결함 있는 제품의 MSRP의 45%의 보증 수수료("보증 수수료")(영수증을 제출하지 않은 경우에만 수수료가 부과됩니다)를 "반송 위치"로 보냅니다[RMA에는 적용가능한 보증 수수료 금액 내용이 포함됩니다]. 먼저 NOCO 지원센터로부터 RMA를 받지 않은 경우, 제품을 보내지 마십시오.

보증 서비스를 위해 제품을 발송을 위한 모든 포장 및 운송 비용은 최초 구매자가 지불해야 합니다(그리고 반드시 선불로 지불).

위의 사항에도 불구하고, 다음과 같은 경우에는 이 제한적 보증은 무효이며 적용되지 않습니다. **제품이:** (a) 부주의한 취급으로 오용되거나, 또는 안전하고 효과적인 사용을 위한 NOCO의 권장사항을 넘어서 극한 온도, 충격, 또는 진동의 조건에서 작동되었을 경우; (b) 부적절하게 설치, 작동, 또는 유지되지 않은 경우; (c) NOCO의 서면동의 없이 수정된 경우; (d) NOCO가 아닌 다른 사람(업체)에 의해 분해, 수정 또는 수리된 경우; (e) 보증 기간 이후에 결함이 보고된 경우.

제한적 보증 제외 항목: (1) 일반적 마모; (2) 기능에 영향을 주지 않는 외관상 손상; 또는 (3) NOCO 일련번호가 누락, 변경 또는 훼손된 제품.

온라인에서 NOCO 제품을 등록할 수 있습니다: noco.co/register. 보증 또는 제품과 관련하여 질문이 있으시면 NOCO 지원(위의 이메일 및 전화번호)에 문의하거나 다음 주소로 문의하십시오: The NOCO Company, at 30339 Diamond Parkway, #102, Glenwillow, OH 44139 USA.

NOCO genius[®] BOOSTMAX[™]

GB500



危險

用戶指南及產品保證



使用本產品前請詳閱所有安全守則。請遵守安全守則，否則可能釀成以下後果：觸電、爆炸、火災，因而嚴重人身傷害、死亡、或財物損失。



觸電。本產品乃電器用品，如使用不當，可能引起觸電而造成嚴重人身傷害。切勿割斷電源線。切勿弄濕或把本產品浸泡水中。



爆炸。本產品用在未經監管、不兼容、損壞的電池上可能會引起爆炸。使用本產品時必須有人在旁。切勿嘗試發動已經損毀或已經凍結的電池。本產品只可用在推薦電壓的電池上。請在空氣流通之處使用本產品。



火災。本產品乃可產生高熱的電器，可能會導致燙傷。請勿用異物掩蓋本產品。使用本產品時，請勿吸煙或接近任何電火花或火焰源頭。切勿把本產品安置在任何易燃物附近。



眼睛受傷。操作本產品時，請佩戴護目鏡。電池一旦爆炸，碎片可能四處飛濺。電池酸液可刺激眼睛及皮膚。假如不慎讓電池酸液接觸到眼睛或皮膚，請馬上用清潔流水沖洗接觸部位並且通知毒物控制中心。



爆炸性氣體。在鉛酸液體附近作業十分危險。即使電池運作正常，亦會產生爆炸性氣體。為降低電池爆炸的危險性，請嚴格遵守所有本產品的安全指引、電池生產商以及其他閣下準備在電池附近使用的所有裝置的生產商所印發的安全指引。請留心細看引擎上以及這些裝置上印有的注意圖示。

中文

詳細資料以及客戶服務請瀏覽：

www.no.co/support

重要安全警告

加州65號提案電池極柱、端子、以及有關配件均含有化學物質，包括鉛。加州政府認定以上物品能導致癌症、先天性缺陷以及其他生殖系統損害。**個人使用注意事項**本產品只能在擬定用途上使用。為預防緊急情況，請在他人能聽見使用者呼救或在能馬上營救使用者的鄰近地點使用本產品。預防電池酸液濺傷，請在作業現場預先準備清潔水源及肥皂。在電池附近作業時請佩戴完備的護目鏡及防護服。處理電池及有關物質後必須洗淨雙手。進行有關電池的工作時切勿處理或佩戴包括工具、手錶、飾物在內的任何金屬物件。萬一金屬物件跌落電池上，可能會激發火花或引起短路，導致能造成人身傷害、死亡或財物損失的觸電、火災、爆炸。**未成年使用者**如「購買者」打算讓未成年人士使用本產品，購買本產品的成年人必須同意在讓任何未成年人士使用本產品之前，向該當未成年人士提供詳細指引及警告。如「購買者」未能遵守此一條款，「購買者」必須負上全責，並且同意如該當未成年使用者誤用或濫用本產品，將保障NOCO不會因而蒙受損失。**窒息危險。**本產品配件有潛在兒童窒息危險。切勿在沒有成年人監管的情況下讓兒童接觸本產品及任何配件。本產品並非玩具。**處理。**請小心處理本產品。碰撞可能損毀本產品。切勿使用包括外殼有裂痕或電線損毀等損毀的產品。切勿把有損毀的電源線與本產品一起使用。潮濕和液體可能會損毀本產品。切勿在任何液體附近處理本產品或任何電氣部件。請在乾燥環境下操作及儲存本產品。如本產品被沾濕，切勿操作本產品。如本產品在操作中被沾濕，請馬上切斷與汽車電池的連接及停止使用。切斷連接時切勿拉扯電線。**改裝。**切勿嘗試更改、改裝或修理本產品任何部分。分解本產品可以導致人身傷害、死亡或財物損失。如本產品已經損毀、發生故障、或接觸過任何液體，請停止使用並通知NOCO。任何對本產品的改動將令保證失效。**配件。**本產品只認可與NOCO原廠配件一起使用。如與非NOCO認可配件一起使用，NOCO對使用者的安全或損傷概不負責。**使用地點。**避免讓電池酸液接觸本產品。切勿在密室內或空氣不流通的地方操作本產品。切勿把電池放在本產品上。安放電纜在不會意外被可活動的汽車零件(包括車頭蓋及車門)、引擎零件(包括扇片、皮帶、和滑輪)損毀、以及能避開其他可能導致人身傷害或死亡的潛在危險物的位置。**操作溫度。**本產品設計在攝氏50度至零下30度的溫度中操作。切勿在此溫度範圍外操作本產品。切勿發動已經凍結的電池。如電池過熱，請馬上停止使用本產品。**儲存。**切勿在多塵或多浮游粒子的環境下使用或儲存本產品。請在平坦、不容易掉下的穩定的平面存放本產品。在乾燥的地點存放本產品。存放溫度為攝氏25度至零下20度之間(平均溫度)。無論如何切勿存放在溫度超過攝氏80度的環境下。**兼容性。**本產品只對應12V或24V鉛酸電池。請勿嘗試把本產品用在其他種類的電池上。發動其他種類的電池化學物質有可能導致人身傷害、死亡或財物損失。發動電池前，請先與該電池生產商聯繫。如不肯定電池的化學品種類或電壓，請勿發動電池。**電池。**本產品內置的鋰離子電池必須由NOCO替換，廢電池必須跟家居垃圾分開回收或丟棄。請勿嘗試自己更換內置電池，不要自

已處理已經損壞或漏液的廢電池。切勿把廢電池與家居垃圾一起丟棄。把廢電池和家居垃圾一起丟棄是違反聯邦政府及州政府環境保護條例的非法行為。請把廢電池送到當地的電池回收中心。如本產品的電池異常高溫、發出異味、變形、裂開，或有其他異常現象，請馬上停止使用並通知NOCO。**充電。**請使用隨機附送的12V DC電源適配器或56W XGC電源適配器為本產品充電。請勿使用低質量的電源適配器，否則潛在的電力危險性可能導致人身傷害、裝置毀損、以及財物損失。使用損毀的電線、充電器，或者在潮濕環境下充電，有可能導致觸電。如使用未經NOCO認可的配件，NOCO對使用者的人身安全概不負責。正常使用情況下，電源適配器可能會帶微溫，如接觸皮膚時間過長可能會令使用者受傷。使用時請確保電源適配器周邊空氣流通。為保持電池最長壽命，請勿連續充電超過一個星期。充電過度可能會縮短電池壽命。本產品在不使用狀態時電力會逐漸流失，因此使用前必須重新充電。不使用本產品時，請把電源插頭拔掉。切勿在想定用途外使用本產品。**醫療裝置。**本產品可能會發放電磁場。本產品裝有可能會干擾心律調節器、心律去顫器以及其他醫療裝置的電磁零件。電磁場可能會干擾心律調節器及其他醫療裝置。如閣下正在使用包括心律調節器的任何醫療裝置，使用本產品前請諮詢醫生的意見。假如閣下感覺本產品可能會干擾到醫療裝置，請馬上停止使用本產品，並諮詢醫生的意見。**醫療情況。**假如閣下有包括痙攣、眼前發黑、雙目酸痛、頭痛及其他疾患，感覺本產品對閣下有可能造成影響，使用本產品前請先諮詢醫生的意見。使用綜合大功率手電筒對畏光患者可能有潛在危險。閃燈模式可能會觸發光敏感性癲癇症患者發生痙攣，而導致嚴重人身傷害或死亡。**燈疔。**直接目視強光可能對眼睛造成永久性傷害。本產品配裝高功率LED預聚焦燈，但設定至最強時可發出強烈光線。**清潔。**進行任何保養或清潔工作前，請先切斷本產品的電源。如本產品曾接觸液體或其他污染物，請馬上清潔及抹乾本產品。請使用不起毛（超細纖維）軟布。請勿讓開口處接觸水分。**易爆氣體環境。**請遵守所有標示及指引。切勿在潛在易爆氣體環境下操作本產品，包括加油區或帶有化學物或穀物、塵埃、或金屬粉末等的地點。**高度危險性活動。**請勿在如產品故障有可能導致人身傷害、死亡、或嚴重破壞環境的地點使用本產品。**無線電頻率干擾。**本產品根據無線電頻率條例設計、測試、和製造。本產品發出的無線電頻率有可能對其他電子裝置的操作造成負面影響及使其發生故障。**型號：GB500** 本裝置符合FCC Part 15條例。操作本裝置必須符合以下兩個條件：（一）本裝置不可造成有害干擾，（二）本裝置必須能承受任何干擾，包括有可導致不良操作的干擾。注：本裝置經過測試，證明符合FCC Part 15條例對A類數碼裝置所規定的限制。此項限制的設計是為了保護在商業環境中操作的裝置盡量不受有害干擾。本裝置產生、使用、並且能發出無線電頻率能量。安裝及使用本裝置時，請務必遵守說明書，否則可能對無線電通訊造成有害干擾。在住宅區操作本裝置很可能會造成有害干擾，使用者需要自費修正所造成的干擾。

使用方法

第一步：把GB500充電。

剛開箱的GB500只有部分充電，使用前必須完成充電。把隨機附送的12V電源適配器或56W XGC電源適配器插進12V IN插口。充電時GB500必須設定為12V模式。充電前，請確認電壓選擇旋鈕已在12V位置。本產品的XGC 12V IN插口的輸出功率定於12V，5A以確保安全及有效率地為內置鋰離子電池充電。按照FCC條例規定，我們建議使用者避免對本產品同時進行充電及放電操作。GB500的充電所需時間視乎充電時的內置電池所餘電力及電源種類而定。實際結果可能會由於電池的個別情況而變動。

充電所需時間：6至8小時

請使用12V DC電源線或AC電源適配器為已經完全放電的裝置充電。充電所需時間視乎充電時的內置電池所餘電力而定。

25% 50% 75% 100%



充電時，內置電池的充電量由充電LED燈顯示。LED燈將緩緩閃動，然後逐顆燈光停止閃動，直至全部四顆充電LED燈均亮起。但內置電池充滿電後，綠色的100% LED燈將會亮起，而25%，50%，75%的充電LED燈將會熄滅。綠色的100% LED燈偶然會閃動，顯示正在進行維護充電。

12V DC充電(60W)

充電時GB500必須設定為12V模式。充電前，請確認電壓選擇旋鈕已在12V位置。把12V電源線插進GB500上的12V IN插口，另一端插進公12V插頭。插進電源12V外部插頭(點煙插座)。

AC充電(56W)

充電時GB500必須設定為12V模式。充電前，請確認電壓選擇旋鈕已在12V位置。把XGC 12V電源線插進GB500上的12V IN插口，56W電源適配器的另一端插進AC電源插頭(100-240V AC牆壁插座)。

為您的12V裝置充電。

GB500必須設定為12V模式方能使用12V OUT功能。把12V電源線插進GB500上的12V OUT插口，另一端插進母12V插頭(12V外部插頭/點煙插座)。插進任何附有12V插頭的標準12V裝置(可達15A)，然後開啟GB500為您的裝置充電。

第二步：把本產品與電池連接。

請小心閱讀及理解汽車用戶說明書中列出的對起動該汽車時的特定注意事項及推薦的起動方法。使用本產品前，請查閱汽車電池生產商的用戶說明書，確認電池的電壓及其化學物類別。GB500只可發動12V或24V鉛酸電池系統。與電池連接前，請先確認電池系統的電壓。發動電池前，請確認電壓選擇旋鈕位置與電池系統一致(12V或24V)。與汽車電池連接前，請先確認閣下使用的是12V鉛酸電池。當本單元連接電池時切勿改變電壓。只有在本單元為關閉時才能改變電壓。GB500不適合發動其他種類的電池。正確辨認汽車電池的正負端子。電池的正極端多數標有以下字母或圖形(POS, P, +)。電池的負極端多數標有以下字母或圖形(NEG, N, -)。切勿把本產品與化油器、油箱管道、或薄片金屬零件連接。負極接地線系統操作指引(最常見)。如閣下的汽車採用的是正極接地線系統(罕見)，請按照相反方向跟從以下步驟。

- 1)把Boost Max Connector的負極(黑色)插進GB500的負極插口。
- 2)把Boost Max Connector的正極(紅色)插進GB500的正極插口。
- 3)在連接夾子之前務請先清潔端子。注意：接線錯誤或端子骯髒可能會導致冒煙。電壓過低的電池也會增加冒煙的可能性。
- 4)把正極(紅色)Boost Max Connector連接到汽車電池的正極端子(POS, P, +)。
- 5)把負極(黑色)Boost Max Connector連接到汽車電池或的負極端子(NEG, N, -)或底盤上。(底盤接地可能不適合用於跳躍啟動大型應用。)
- 6)切斷連接時，請按照相反順序解除連接，先解開負極端子(如汽車採用正極接地線系統，請先解開正極端子)。

第三步：發動汽車。

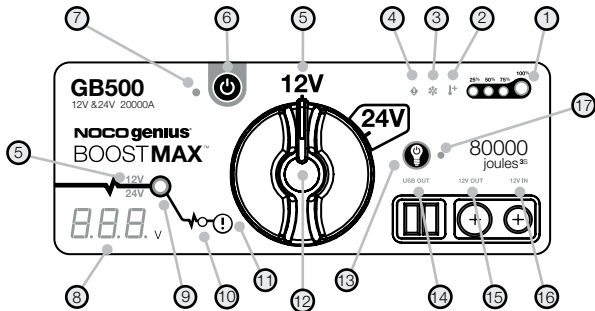
- 1.)發動汽車前，請確認汽車所有消耗電力的設備(車頭燈、收音機、空調等)已經全部關上。若車輛配備有主開關，則將其設置在「開」位置。
- 2.)按下本產品的電力按鈕，開始發動汽車。所有LED燈將會閃動，表示所有LED燈均操作正常。如與電池連接正常，白色的起動LED燈將會亮起。如電池夾子正負兩極連接錯誤，紅色的錯誤LED燈將會亮起。請調換電池夾子連接端子，錯誤修正後白色的起動LED燈就會亮起。當白色的起動LED燈亮起，表示GB500已經準備就緒，可以起動閣下的汽車了。
- 3.)嘗試起動汽車。大部分汽車馬上可以起動。有些汽車需要GB500連接30秒以上才能起動。如汽車未能馬上起動，請等候20至30秒後再試。切勿在15分鐘內連續嘗試起動汽車超過5次。請讓GB500休止15分鐘後再嘗試起動汽車。
- 4.)汽車起動後，請把電池夾子取下，把GB500移走。

低電壓電池以及手動超控。

GB500只能發動12-Volt鉛酸電池，最低對應電壓是2-volts。如閣下的汽車電池電壓低於2-volts，起動 LED將不會亮起。這表示GB500感應不到已經連接的電池。如閣下必須發動低於2-volts的電池，可以使用本產品的手動超控機能，讓您強制激活發動功能。




注意事項。

使用手動超控模式時請特別小心。本功能只能用於12-Volt或24-Volt鉛酸電池。發動電池前，請確認電壓選擇鈕已經調在與電池系統一致的正確位置上(12V或24V)。火花預防功能及正負極端子錯誤保護功能均會關閉。使用手動超控模式前，請正確辨認電池的正負極端子。切勿讓本產品的正負極電池夾子互相觸碰或夾在一起，否則會引起火花。本模式使用極高電流(高達20,000安培)，如使用不當可能會引起火花及高熱。假如閣下不清楚本模式的使用方法，請尋求專業協助，切勿自己嘗試。



1. **內置電池電量** 顯示內置電池的充電量。
2. **高溫LED燈** 紅色顯示燈亮起, 表示本產品運作完全正常, 但已接近最高溫度限制。紅色顯示燈閃動, 表示溫度太高, 不可發動電池, 但仍可使用其他功能。
3. **低溫LED燈** 藍色顯示燈亮起, 表示本產品運作完全正常, 但已接近最低溫度限制。藍色顯示燈閃動, 表示溫度太低, 不可發動電池, 但仍可使用其他功能。
4. **錯誤LED燈** 紅色顯示燈亮起, 顯示電池正負極連接倒置。
5. **電壓顯示器** 顯示GB500目前設定的電池系統電壓。12V模式時12V白色顯示燈將會亮起, 24V 模式時24V藍色顯示燈將會亮起。
6. **電源開關** 啟動本產品的按鈕。
7. **電源LED燈** 本產品起動後白色的電力顯示燈將會亮起。
8. **電壓表** 內置電壓表顯示汽車電池的電壓讀數, 提供更好的診斷及故障處理。當電池兩極夾子連接到電池上, 無需啟動本產品, 電壓表亦能自動讀取任何電池(或電池系統)的電壓數據。電壓表將讀取3V至30V之間的電壓數據。如連接的電池電壓低於3V, 將不會顯示數據。這個情況, 很可能是由於車頭燈及空調風扇等電池負載的情況, 起動汽車前必須吧這些裝置全部關上。
9. **Boost LED** 起動功能被激活後白色的起動功能顯示燈將會亮起。如本產品與汽車電池的連接正常, GB500將會自動感應電池而進入起動模式(手動超控啟動後, 白色的起動能顯示燈將會閃動)。
10. **手動超控LED** 手動超控啟動後紅色的LED燈將會亮起。
11. **手動超控按鈕** 長按手動超控鈕3秒鐘啟動手動超控模式。警告: 此模式將停止安全保護功能並強制激活起動功能。除非電池電壓過低令本產品無法感應電池, 否則切勿使用此模式。
12. **電壓選擇旋鈕** 扭動切換12V及24V模式。
13. **燈光模式轉換鈕** 切換工作燈七種燈光模式: 100% > 50% > 10% > SOS求救訊號 > 閃動 > 快速閃動 > 關燈
14. **USB Out LED** 白色燈光亮起, 顯示USB Out功能可用於12V及24V模式。
15. **12V Out LED** 白色燈光亮起, 顯示USB Out功能只可用於12V模式。
16. **12V In LED** 白色燈光亮起, 顯示USB In功能只可用於12V模式。
17. **燈光模式LED** 白色燈光亮起, 顯示工作燈開著, 而裝置並沒有被啟動。

常見問題及解決方法

錯誤	原因/解決方法
 錯誤顯示燈：紅色顯示燈亮起 錯誤顯示燈：閃動一次 錯誤顯示燈：閃動兩次 錯誤顯示燈：閃動三次 錯誤顯示燈：閃動四次 錯誤顯示燈：閃動五次	電池正負極連接倒置。/ 倒轉電池正負極連接。 電池夾子發生短路。/ 移除所有消耗電力的裝置，然後再次連接夾子和電池。 發動時間超過10分鐘。/ 關上裝置電源，然後再啟動。 內部總開關故障。/ 確認電壓選擇旋鈕正確指向12V或24V的位置。 充電時電池發生故障。/ 關上裝置電源，然後聯絡NOCO客戶服務部。 XGC OUT過電流故障。/ 移除XGC OUT連接的所有耗電裝置，然後關上裝置電源，再啟動裝置。
 Hot LED：亮起 Hot LED：閃動 Hot LED：閃動後所有LED顯示燈熄滅	本產品運作完全正常，但已接近最高溫度限制。/ 請讓裝置冷卻。 裝置溫度太高，不可發動電池，但仍可使用其他功能。/ 請讓裝置冷卻。 裝置溫度太高，不可發動電池，亦不能使用其他功能。/ 請讓裝置冷卻，把裝置搬到較清涼的環境。
 Cold LED：亮起 Cold LED：閃動 Cold LED：閃動後所有LED顯示燈熄滅	本產品運作完全正常，但已接近最低溫度限制。/ 請讓裝置溫度提升。 裝置溫度太低，不可發動電池，但仍可使用其他功能。/ 請讓裝置溫度提升。 裝置溫度太低，不可發動電池，亦不能使用其他功能。/ 請讓裝置溫度提升，把裝置搬到較和暖的環境。
技術附註	鋰離子電池使用時溫度會自然提升。如Cold LED顯示燈亮起，可嘗試發動電池數次提升電池溫度，解除溫度過低問題。一般情況下，發動三至四次已足以令電池溫度提升，解除錯誤訊息。

技術規格

- 內置電池： 鋰離子 (瓦時 266)
- 額定峰值電流： 20,000A
- 額定3秒焦耳： 80,000+
- 操作溫度： -30°C 至 +50°C (-22°F 至 +122°F)
- 充電溫度： 0°C 至 +40°C (32°F至 +104°F)
- 儲存溫度： -20°C 至 +50°C (-4°F to +122°F) (平均溫度)
- USB(輸出)： 雙電池 5V, 2.1A
- 12V (輸入)： 12V, 5A
- 12V (輸出)： 12V, 15A
- 外殼保護： IP65 (連接埠關閉時)
- 冷卻： 自然對流
- 尺寸(長x闊x高)： 12.25 x 8.25 x 2.25 寸 (311.15 x 209.55 x 57.15 mm)
- 重量： 19 磅

保證

NOCO Genius一年保用證明。

The NOCO Comany(下稱NOCO)提供從購買日開始一年的保用期間(下稱「保用期間」), 保證本產品(下稱「產品」)的質料及製作均無任何缺陷。在保用期間內如發現缺陷, NOCO將按情況及NOCO的技術支援分析結果決定修理或交換有缺陷的產品。交換的零件及產品將為在功能和性能上與原來零件同等的全新或可使用的二手商品, 在餘下的原有保證期間內繼續獲得保證。

NOCO的法律責任明確地限於交換或修理。在法律允許的最大程度內，本產品的購買者或第三者就任何特殊、間接、相應或懲戒性損害，包括但不限於，與產品有任何關連的損失利潤、財物損失、或人身傷害，無論其發生原因為何，即使NOCO認知上述損失發生的可能性，NOCO毋須對此賠償負責。此保證代替并排除所有其他明示、隱含、法定或其他保證，包括但不限於隱含的可銷售性及特殊用途合適性保證，及因交易過程、按慣例或業界常規而伴隨的保證。如任何適用法例施加不能排除或更改的保證、條件或義務，本段內容將適用至該當法例可容許的最大範圍內。本有限保證只適用於從NOCO或NOCO認可的經銷商或批發商購買本產品的原購買者，不可轉授或轉讓。提出保證申訴時，購買者必須：(1) 向NOCO支援中心發出電子郵件，要求及獲取退貨(下稱「RMA」)號碼及退貨地點資料(下稱「退貨地點」)，電郵地址為 support@no.co 亦可致電+1-800-456-6626，以及(2)把產品、RMA號碼、收據、(如未能提交收據)或有缺陷的本產品的製造商建議零售價的45%的保證費(下稱「保證費」)(RMA上將附有適用的保證費金額)一併送到退貨地點。從NOCO支援中心獲取RMA之前，切勿把產品送到退貨地點。

原購買者必須負責(同時預付)把產品送出接受保證服務的所有包裝及運送費用。

儘管如此，產品如有以下情況，本有限保證將失效及不再適用：(a) 被誤用、處理不當、濫用或不小心使用、意外、儲存方法不當、或在NOCO建議的安全有效使用條件以外的極端電壓、溫度、衝擊、或振動下操作；(b) 曾被不恰當地安裝、操作、或修護；(c) 未得NOCO的明確書面同意而進行改裝；(d) 經過NOCO以外的任何人分解、改動、或修理；(e) 保證期限過後提出的產品缺陷。

此有限保證不包括：(1) 正常損耗；(2) 不影響性能的表面損傷；或(3) NOCO的產品編號失落、經過改動、或毀損。

閣下可在網上登記您的NOCO產品，網址為：no.co/register。假如閣下對保證或本產品有任何疑問，請聯絡NOCO支援中心(使用上列的電郵地址及電話號碼)或來函本公司地址：The NOCO Company, 30339 Diamond Parkway, #102, Glenwillow, OH 44139 USA

NOCO genius[®] BOOSTMAX[™]

GB500



危險

用戶指南及產品保證



使用本产品前请详阅所有安全守则。请遵守安全守则，否则可能酿成以下后果：触电、爆炸、火灾，因而严重人身伤害、死亡、或财物损失。



觸電。本产品乃电器用品，如使用不当，可能引起触电而造成严重人身伤害。切勿割断电源线。切勿弄湿或把本产品浸泡水中。



爆炸。本产品用在未經監管、不兼容、損壞的電池上可能會引起爆炸。使用本产品時必須有人在旁。切勿嘗試發動已經損毀或已經凍結的電池。本产品只可用在推薦電壓的電池上。請在空氣流通之處使用本产品。



火災。本产品乃可產生高熱的電器，可能會導致燙傷。請勿用異物掩蓋本产品。使用本产品時，請勿吸煙或接近任何電火花或火焰源頭。切勿把本产品安置在任何易燃物附近。



眼睛受傷。操作本产品時，請佩戴護目鏡。電池一旦爆炸，碎片可能四處飛濺。電池酸液可刺激眼睛及皮膚。假如不慎讓電池酸液接觸到眼睛或皮膚，請馬上用清潔流水沖洗接觸部位並且通知毒物控制中心。



爆炸性氣體。在鉛酸液體附近作業十分危險。即使電池運作正常，亦會產生爆炸性氣體。為降低電池爆炸的危險性，請嚴格遵守所有本產品的安全指引、電池生產商以及其他閣下準備在電池附近使用的所有裝置的生產商所印發的安全指引。請留心細看引擎上以及這些裝置上印有的注意圖示。

中文

詳細資料以及客戶服務請瀏覽：

www.no.co/support

重要安全警告

加州65號提案電池極柱、端子、以及有關配件均含有化學物質，包括鉛。加州政府認定以上物品能導致癌症、先天性缺陷以及其他生殖系統損害。**個人使用注意事項**本產品只能在擬定用途上使用。為預防緊急情況，請在他人能聽見使用者呼救或在能馬上營救使用者的鄰近地點使用本產品。預防電池酸液濺傷，請在作業現場預先準備清潔水源及肥皂。在電池附近作業時請佩戴完備的護目鏡及防護服。處理電池及有關物質後必須洗淨雙手。進行有關電池的工作時切勿處理或佩戴包括工具、手錶、飾物在內的任何金屬物件。萬一金屬物件跌落電池上，可能會激發火花或引起短路，導致能造成人身傷害、死亡或財物損失的觸電、火災、爆炸。**未成年使用者**如「購買者」打算讓未成年人士使用本產品，購買本產品的成年人必須同意在讓任何未成年人士使用本產品之前，向該當未成年人士提供詳細指引及警告。如「購買者」未能遵守此一條款，「購買者」必須負上全責，並且同意如該當未成年使用者誤用或濫用本產品，將保障NOCO不會因而蒙受損失。**窒息危險**。本產品配件有潛在兒童窒息危險。切勿在沒有成年人監管的情況下讓兒童接觸本產品及任何配件。本產品並非玩具。**處理**。請小心處理本產品。碰撞可能損毀本產品。切勿使用包括外殼有裂痕或電線損毀等損毀的產品。切勿把有損毀的電源線與本產品一起使用。潮濕和液體可能會損毀本產品。切勿在任何液體附近處理本產品或任何電氣部件。請在乾燥環境下操作及儲存本產品。如本產品被沾濕，切勿操作本產品。如本產品在操作中被沾濕，請馬上切斷與汽車電池的連接及停止使用。切斷連接時切勿拉扯電線。**改裝**。切勿嘗試更改、改裝或修理本產品任何部分。分解本產品可以導致人身傷害、死亡或財物損失。如本產品已經損毀、發生故障、或接觸過任何液體，請停止使用並通知NOCO。任何對本產品的改動將令保證失效。**配件**。本產品只認可與NOCO原廠配件一起使用。如與非NOCO認可配件一起使用，NOCO對使用者的安全或損傷概不負責。**使用地點**。避免讓電池酸液接觸本產品。切勿在密室內或空氣不流通的地方操作本產品。切勿把電池放在本產品上。安放電纜在不會意外被可活動的汽車零件（包括車頭蓋及車門）、引擎零件（包括扇片、皮帶、和滑輪）損毀、以及能避開其他可能導致人身傷害或死亡的潛在危險物的位置。**操作溫度**。本產品設計在攝氏50度至零下30度的溫度中操作。切勿在此溫度範圍外操作本產品。切勿發動已經凍結的電池。如電池過熱，請馬上停止使用本產品。**儲存**。切勿在多塵或多浮游粒子的環境下使用或儲存本產品。請在平坦、不容易掉下的穩定的平面存放本產品。在乾燥的地點存放本產品。存放溫度為攝氏25度至零下20度之間（平均溫度）。無論如何切勿存放在溫度超過攝氏80度的環境下。**兼容性**。本產品只对应12V或24V鉛酸電池。請勿嘗試把本產品用在其他種類的電池上。發動其他種類的電池化學物質有可能導致人身傷害、死亡或財物損失。發動電池前，請先與該電池生產商聯繫。如不肯定電池的化學品種類或電壓，請勿發動電

池。 **電池。**本產品內置的鋰離子電池必須由NOCO替換，廢電池必須跟家居垃圾分開回收或丟棄。請勿嘗試自己更換內置電池，不要自己處理已經損壞或漏液的廢電池。切勿把廢電池與家居垃圾一起丟棄。把廢電池和家居垃圾一起丟棄是違反聯邦政府及州政府環境保護條例的非法行為。請把廢電池送到當地的電池回收中心。如本產品的電池異常高溫、發出異味、變形、裂開，或有其他異常現象，請馬上停止使用並通知NOCO。 **充電。**請使用隨機附送的12V DC電源適配器或56W XGC電源適配器為本產品充電。請勿使用低質量的電源適配器，否則潛在的電力危險性可能導致人身傷害、裝置毀損、以及財物損失。使用損毀的電線、充電器，或者在潮濕環境下充電，有可能導致觸電。如使用未經NOCO認可的配件，NOCO對使用者的人身安全概不負責。正常使用情況下，電源適配器可能會帶微暖，如接觸皮膚時間過長可能會令使用者受傷。使用時請確保電源適配器周邊空氣流通。為保持電池最長壽命，請勿連續充電超過一個星期。充電過度可能會縮短電池壽命。本產品在不使用狀態時電力會逐漸流失，因此使用前必須重新充電。不使用本產品時，請把電源插頭拔掉。切勿在設定用途外使用本產品。 **醫療裝置。**本產品可能會發放電磁場。本產品裝有可能會干擾心臟起搏器、心律除顫器以及其他醫療裝置的電磁零件。電磁場可能會干擾心臟起搏器及其他醫療裝置。如閣下正在使用包括心臟起搏器的任何醫療裝置，使用本產品前請諮詢醫生的意見。假如閣下感覺本產品可能會干擾到醫療裝置，請馬上停止使用本產品，並諮詢醫生的意見。 **醫療情況。**假如閣下有包括痙攣、眼前發黑、雙目酸痛、頭痛及其他疾患，感覺本產品對閣下有可能造成影響，使用本產品前請先諮詢醫生的意見。使用綜合大功率手電筒對畏光患者可能有潛在危險。閃燈模式可能會觸發光敏感性癲癇症患者發生痙攣，而導致嚴重人身傷害或死亡。 **燈光。**直接目視強光可能對眼睛造成永久性傷害。本產品配裝高功率LED預聚焦燈，但設定至最強時可發出強烈光線。 **清潔。**進行任何保養或清潔工作前，請先切斷本產品的電源。如本產品曾接觸液體或其他污染物，請馬上清潔及抹干本產品。請使用不起毛（超細纖維）軟布。請勿讓開口處接觸水分。 **易爆氣體環境。**請遵守所有標示及指引。切勿在潛在易爆氣體環境下操作本產品，包括加油區或帶有化學物或谷物、塵埃、或金屬粉末等的地點。 **高度危險性活動。**請勿在如產品故障有可能導致人身傷害、死亡、或嚴重破壞環境的地點使用本產品。 **無線電頻率干擾。**本產品根據無線電頻率條例設計、測試、和製造。本產品發出的無線電頻率有可能對其他電子裝置的操作造成負面影響及使其發生故障。 **型號：GB500** 本裝置符合FCC Part 15條例。操作本裝置必須符合以下兩個條件：（1）本裝置不可造成有害干擾，（2）本裝置必須能承受任何干擾，包括有可導致不良操作的干擾。注：本裝置經過測試，證明符合FCC Part 15條例對A類數碼裝置所規定的限制。此項限制的設計是為了保護在商業環境中操作的裝置盡量不受有害干擾。本裝置產生、使用、並且能發出無線電頻率能量。安裝及使用本裝置時，請務必遵守說明書，否則可能對無線電通訊造成有害干擾。在住宅區操作本裝置很可能會造成有害干擾，使用者需要自費修正所造成的干擾。

使用方法

第一步：把GB500充电。

刚开箱的GB500只有部分充电，使用前必须先把装置完全充电。把随机附送的12V电源适配器或56W XGC电源适配器插进12V IN插口。充电时GB500必须设定为12V模式。充电前，请确认电压选择旋钮已在12V位置。本产品的XGC 12V IN插口的输出功率定于12V，5A以确保安全及有效率地为内置锂离子电池充电。按照FCC条例规定，我们建议使用者避免对本产品同时进行充电及放电操作。GB500的充电所需时间视乎充电时的内置电池所余电力及电源种类而定。实际结果可能会由于电池的个别情况而变动。

25% 50% 75% 100%



充电时，内置电池的充电量由充电LED灯显示。LED灯将缓缓闪动，然后逐颗灯光停止闪动，直至全部4颗充电LED灯均亮起。但内置电池充满电后，绿色的100% LED灯将会亮起，而25%，50%，75%的充电LED灯将会熄灭。绿色的100% LED灯偶然会闪动，显示正在进行维护充电。

充电所需时间：6至8小时

请使用12V DC电源线或AC电源适配器为已经完全放电的装置充电。充电所需时间视乎充电时的内置电池的剩余电力而定。

12V DC充电(60W)

充电时GB500必须设定为12V模式。充电前，请确认电压选择旋钮已在12V位置。把12V电源线插进GB500上的12V IN插口，另一端插进公12V插头。插进电源12V AUX插头（点烟插座）。

AC充电 (56W)

把12V电源线插进GB500上的12V OUT插口，另一端插进母12插头（12V外部插头/点烟插座）。插进任何附有12V插头的标准12V装置，然后起动GB500，为您的装置充电。

为您的12V装置充电。

GB500必须设定为12V模式方能使用12V OUT功能。把12V电源线插进GB500上的12V OUT插口，另一端插进母12V插头（12V AUX插头/点烟插座）。插进任何附有12V插头的标准12V装置（可达15A），然后开启GB500为您的装置充电。

第二步：把本产品与电池连接。

请小心阅读及理解汽车用户说明书中列出的对起动该汽车时的特定注意事项及推荐的起动方法。使用本产品前，请

查阅汽车电池生产商的用户说明书，确认电池的电压及其化学物类别。GB500只可发动12V或24V铅酸电池系统。与电池连接前，请先确认电池系统的电压。发动电池前，请确认电压选择旋钮位置与电池系统一致（12V或24V）。设备连接电池时切勿改变电压。只能在设备关闭时改变电压。GB500不适合发动其他种类的电池。正确辨认汽车电池的正负端子。电池的正极端多数标有以下字母或图形（POS, P, +）。电池的负极端多数标有以下字母或图形（NEG, N, -）。切勿把本产品与化油器、供油管、或薄片金属零件连接。负极接地线系统操作指引（最常见）。如阁下的汽车采用的是正极接地线系统（罕见），请按照相反方向跟从以下步骤。

- 1)把Boost Max Connector的负极（黑色）插进GB500的负极插口。
- 2)把Boost Max Connector的正极（红色）插进GB500的正极插口。
- 3)在连接夹子之前务必清洁端口。注意：接线错误或端口污染可能会导致冒烟。电压过低的电池也会增加冒烟的可能性。
- 4)把正极（红色）Boost Max Connector连接到车辆电池的正极端子（POS, P, +）。
- 5)把负极（黑色）Boost Max Connector连接到车辆电池的负极端子（NEG, N, -）或底盘上。（底盘接地可能不适合跨接线连接起动大型应用。）
- 6)切断连接时，请按照相反顺序解除连接，先解开负极端子（如车辆采用正极接地线系统，请先解开正极端子）。

第三步：发动汽车。

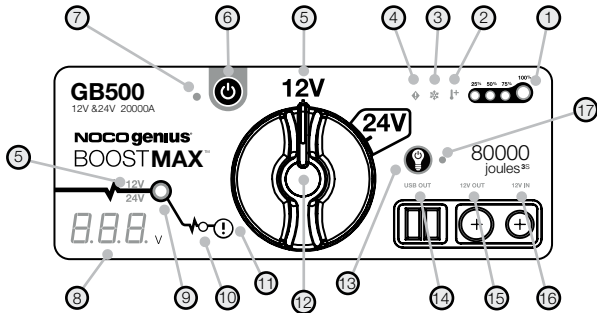
- 1.)发动汽车前，请确认汽车所有消耗电力的设备（车头灯、收音机、空调等）已经全部关上。如果车辆配备了主开关，将其转到“开”位置。
- 2.)按下本产品的电力按钮，开始发动汽车。所有LED灯将会闪动，表示所有LED灯均操作正常。如与电池连接正常，白色的起动LED灯将会亮起。如电池夹子正负两极连接错误，红色的错误LED灯将会亮起。请调换电池夹子连接端子，错误修正后白色的起动LED灯就会亮起。当白色的起动LED灯亮起，表示GB500已经准备就绪，可以起动阁下的汽车了。
- 3.)尝试起动汽车。大部分汽车马上可以起动。有些汽车需要GB500连接30秒以上才能起动。如汽车未能马上起动，请等候20至30秒后再试。切勿在15分钟内连续尝试起动汽车超过5次。请让GB500休止15分钟后再尝试起动汽车。
- 4.)汽车起动后，请把电池夹子取下，把GB500移走。

低电压电池以及手动超控。

GB500只能发动12-Volt铅酸电池，最低对应电压是2-volts。如阁下的汽车电池电压低于2-volts，启动LED将不会亮起。这表示GB500感应不到已经连接的电池。如阁下必须发动低于2-volts的电池，可以使用本产品的手动超控功能，让您强制激活发动功能。




注意事项。

使用此模式时请特别小心。本功能只能用于12-Volt或24-Volt铅酸电池。发动电池前，请确认电压选择钮已经调在与电池系统一致的正确位置上（12V或24V）。火花预防功能及正负极端子错误保护功能均会关闭。使用手动超控模式前，请正确辨认电池的正负极端子。切勿让本产品的正负极电池夹子互相触碰或夹在一起，否则会引起火花。本模式使用极高电流（高达20,000安培），如使用不当可能会引起火花及高热。假如阁下不清楚本模式的使用方法，请寻求专业协助，切勿自己尝试。



1. **内置电池电量** 显示内置电池的充电量。
2. **高温LED灯** 红色显示灯亮起，表示本产品运作完全正常，但已接近最高温度限制。红色显示灯闪动，表示温度太高，不可发动电池，但仍可使用其他功能。
3. **低温LED灯** 蓝色显示灯亮起，表示本产品运作完全正常，但已接近最低温度限制。蓝色显示灯闪动，表示温度太低，不可发动电池，但仍可使用其他功能。
4. **错误LED灯** 红色显示灯亮起，显示电池正负极连接倒置。
5. **电压显示器** 显示GB500目前设定的电池系统电压。12V模式时12V白色显示灯将会亮起，24V模式时24V蓝色显示灯将会亮起。
6. **电源开关按钮** 用来开启及关闭本产品的电源。
7. **电源LED灯** 本产品起动后白色的电源显示灯将会亮起。
8. **电压表** 内置电压表显示车辆电池的电压读数，提供更佳的诊断及故障处理。当电池两极夹子连接到电池上，无需启动本产品，电压表亦能自动读取任何电池（或电池系统）的电压数据。电压表将读取3V至30V之间的电压数据。如连接的电池电压低于3V，将不会显示数据。这个情况，很可能是由于车头灯及空调风扇等电池负载的情况，起动车辆前必须把这些装置全部关上。
9. **Boost LED** 起动功能被启动后，白色的起动功能显示灯将会亮起。如本产品与车辆电池的连接正常，GB500将会自动感应电池而进入起动模式（手动超控启动后，白色的起动能显示灯将会闪动）。
10. **手动超控LED** 手动超控启动后手动超控LED灯将会亮起红色。
11. **手动超控按钮** 长按手动超控按钮3秒钟便会启动手动超控模式。警告：此模式将停止安全保护功能并强制激活起动功能。除非电池电压过低令本产品无法感应电池，否则切勿使用此模式。
12. **电压选择旋钮** 扭动切换12V及24V模式。
13. **灯光模式转换钮** 切换工作灯七种灯光模式：100% > 50% > 10% > SOS求救讯号 > 闪动 > 快速闪动 > 关灯
14. **USB Out LED** 白色灯光亮起，显示USB Out功能可用于12V及24V模式。
15. **12V Out LED** 白色灯光亮起，显示12V Out功能只可用于12V模式。
16. **12V In LED** 白色灯光亮起，显示12V In功能只可用于12V模式。
17. **灯光模式LED** 白色灯光亮起，显示工作灯开着，而装置并没有被启动。

常见问题及解决方法

错误	原因/解决方法
 错误显示灯: 红色显示灯亮起 错误显示灯: 闪动一次 错误显示灯: 闪动两次 错误显示灯: 闪动三次 错误显示灯: 闪动四次 错误显示灯: 闪动五次	检测到电池正负极连接倒置。 / 倒转电池正负极连接。 检测池夹子发生短路。 / 移除所有耗电负载, 然后再次连接夹子和电池。 发动时间超过10分钟。 / 关上装置电源, 然后再启动。 内部总开关故障。 / 确认电压选择旋钮正确指向12V或24V的位置。 检测到充电时电池发生故障。 / 关上装置电源, 然后联络NOCO客户服务部。 XGC OUT过电流故障。 / 移除XGC OUT连接的所有耗电负载, 然后关上装置电源, 再启动装置。
 + Hot LED: 亮起 Hot LED: 闪动 Hot LED: 闪动后所有LED显示灯 熄灭	本产品运作完全正常, 但已接近最高温度限制。 / 请让装置冷却。 装置温度太高, 不可发动电池, 但仍可使用其他功能。 / 请让装置冷却。 装置温度太高, 不可发动电池, 亦不能使用其他功能。 / 请让装置冷却, 把装置搬到较清凉的环境。
 * Cold LED: 亮起 Cold LED: 闪动 Cold LED: 闪动后所有LED显示灯 熄灭	本产品运作完全正常, 但已接近最低温度限制。 / 请让装置温度提升。 装置温度太低, 不可发动电池, 但仍可使用其他功能。 / 请让装置温度提升。 装置温度太低, 不可发动电池, 亦不能使用其他功能。 / 请让装置温度提升, 把装置搬到较和暖的环境。
技术附注	锂离子电池使用时温度会自然提升。如果Cold Error LED显示灯亮起, 可尝试发动电池数次提升电池温度, 解除温度过低问题。一般情况下, 发动3至4次已足以使电池温度提升, 解除错误讯息显示。

技術規格

- 內置電池： 锂离子 (瓦时 266)
- 額定峰值電流： 20,000A
- 額定3秒焦耳： 80,000+
- 操作溫度： -30° C 至 +50° C (-22° F 至 +122° F)
- 充電溫度： 0°C 至 +40°C (32° F至 +104° F)
- 儲存溫度： -20°C 至 +50°C (-4° F to +122° F) (平均溫度)
- USB(輸出)： 双電池 5V, 2.1A
- 12V (輸入)： 12V, 5A
- 12V (輸出)： 12V, 15A
- 外殼保護： IP65 (连接埠关闭时)
- 冷卻： 自然对流
- 尺寸(長x闊x高)： 12.25 x 8.25 x 2.25 寸 (311.15 x 209.55 x 57.15 mm)
- 重量： 19 磅

保证

NOCO Genius一年保用证明。

The NOCO Comany (下称“NOCO”) 提供从购买日开始一年的保用期间(下称“保用期间”), 保证本产品(下称“产品”)的质料及制作均无任何缺陷。在保用期间内如发现缺陷, NOCO将按情况及NOCO的技术支援分析结果决定修理或交换有缺陷的产品。交换的零件及产品将为在功能和性能上与原来零件同等的全新或可使用的二手商品, 在余下的原有保证期间内继续获得保证。

NOCO的法律责任明确地限于交换或修理。在法律允许的最大程度内，本产品的购买者或第三者就任何特殊、间接、相应或惩戒性损害，包括但不限于，与产品有任何关连的损失利润、财物损失、或人身伤害，无论其发生原因为何，

即使NOCO认知上述损失发生的可能性，NOCO毋须对此赔偿负责。此保证代替并排除所有其他明示、隐含、法定或其他保证，包括但不限于隐含的可销售性及特殊用途合适性保证，及因交易过程、按惯例或业界常规而伴随的保证。如任何适用法例施加不能排除或更改的保证、条件或义务，本段内容将适用至该当法例可容许的最大范围内。本有限保证只适用于从NOCO或NOCO认可的经销商或批发商购买本产品的原购买者，不可转授或转让。提出保证申诉时，购买者必须：(1) 向NOCO支援中心发出电子邮件，要求及获取退货（下称“RMA”）号码及退货地点资料（下称“退货地点”），电邮地址为support@no.co 亦可致电+1-800-456-6626，以及(2)把产品、RMA号码、收据、（如未能提交收据）或有缺陷的本产品的制造商建议零售价的45%的保证费（下称“保证费”）（RMA上将附有适用的保证费金额）一并送到退货地点。从NOCO支援中心获取RMA之前，切勿把产品送到退货地点。

原购买者必须负责（同时预付）把产品送出接受保证服务的所有包装及运送费用。

尽管如此，产品如有以下情况，本有限保证将失效及不再适用：(a) 被误用、处理不当、滥用或不小心中使用、意外、储存方法不当、或在NOCO建议的安全有效使用条件以外的极端电压、温度、冲击、或振动下操作；(b) 曾被不恰当地安装、操作、或修护；(c) 未得NOCO的明确书面同意而进行改装；(d) 经过NOCO以外的任何人分解、改动、或修理；(e) 保证期限过后提出的产品缺陷。

此有限保证不包括：(1) 正常损耗；(2) 不影响性能的表面损伤；或(3) NOCO的产品编号失落、经过改动、或毁损。

阁下可在网上登记您的NOCO产品，网址为：no.co/register。假如阁下对保证或本产品有任何疑问，请联络NOCO支援中心（使用上列的电邮地址及电话号码）或来函本公司地址：The NOCO Company, 30339 Diamond Parkway, #102, Glenwillow, OH 44139 USA

يحظى نوكو جينوس نوكو Genius بضمن محدود لمدة سنة (١) واحدة.

تتعهد شركة نوكو أن منتجاتها («المنتج») خالية من العيوب من حيث المواد والتصنيع لمدة سنة (١) واحدة اعتباراً من تاريخ الشراء («فترة الضمان»). وبالنسبة للعيوب التي يُبلغ عنها أثناء فترة الضمان، فإن شركة نوكو سوف تقوم، حسب تقديرها ومع مراعاة عدم الإخلال بتحليل الدعم الفني بها، إما بإصلاح المنتجات المعيبة أو استبدالها. وتكون قطع الغيار والمنتجات جديدة أو مستعملة بحالة تسمح بالخدمة، ويمكن مقارنتها من حيث الوظيفة والأداء بالقطعة الأصلية ومكفولة طوال باقي فترة الضمان الأصلية.

وتقتصر مسؤولية نوكو أدناه على الاستبدال أو الإصلاح. إلى أقصى حد يسمح به القانون المعمول به، وبأي حال من الأحوال، لن تتحمل نوكو لأي مشتري للمنتج أو طرف ثالث المسؤولية عن أي أضرار لاحقة أو عرضية أو غير مباشرة أو خاصة أو عقابية، بما في ذلك على سبيل المثال لا الحصر، أضرار خسارة الأرباح التجارية أو إصابات الأفراد، المرتبطة بأي شكل بالمنتج مهما كان السبب، حتى ولو كانت نوكو على علم باحتمال وقوع مثل هذه الأضرار. تحل هذه الضمانات الواردة هنا محل جميع الضمانات الأخرى. صريحة كانت أم ضمنية، بما في ذلك على سبيل المثال لا الحصر، الضمانات الضمنية الخاصة بصلاحية العرض في السوق واللياقة لغرض معين وتلك الناجمة عن دورة التعامل أو الاستخدام أو الممارسة التجارية. في حالة فرض أي قوانين مطبقة لضمانات أو شروط أو التزامات لا يمكن استبعادها أو تعديلها، فإن هذه الفقرة تنطبق على أكبر حد مسموح به بموجب هذه القوانين.

ينعقد هذا الضمان المحدود لمصلحة المشتري الأصلي للمنتج من نوكو أو من بائع معتمد من نوكو أو من موزع وهذا الضمان غير قابل للتنازل أو النقل. لتأكيد مطالبة الضمان، يجب على المشتري: (١) يلزم طلب والحصول على رقم تفويض إرجاع المواد (RMA) ومعلومات موقع الإرجاع («موقع الإرجاع») من دعم نوكو عن طريق إرسال بريد إلكتروني إلى support@no.co والاتصال على ١,٨٠٠,٤٥٦,٦٦٦؛ و(٢) يلزم إرسال المنتج، بما في ذلك رقم تفويض إرجاع المواد (RMA) أو الإيصاف أو رسوم الضمان (الرسوم المطلوبة فقط إذا لم يتوفر إيصاف) من ٤٥٪ من السعر المقترح من الشركة المصنعة للطراز («رسوم الضمان») (سوف يشمل تفويض إرجاع المواد مبلغ رسوم الضمان المطبق] إلى موقع الإرجاع التابع لك. لا ترسل المنتج دون الحصول أولاً على تفويض إرجاع المواد من دعم نوكو. المشتري الأصلي هو المسؤول (ويجب عليه سداد) جميع تكاليف التغليف والنقل لشحن المنتجات لخدمة الضمان.

وبغض النظر عما تقدم، لا يسري هذا الضمان المحدود ولا ينطبق على المنتجات التي: أ) تعرضت لسوء الاستخدام، أو سوء المعاملة، أو الحوادث، أو تم تخزينها بطريقة غير سليمة، أو تشغيلها في ظروف ذات جهد شديد أو درجة حرارة أو صدمة أو اهتزاز بشكل يتجاوز توصيات نوكو للاستخدام الآمن والفعال؛ ب) تم تركيبها أو تشغيلها أو صيانتها بصورة غير سليمة؛ ج) / تم تعديلها دون موافقة خطية صريحة من نوكو؛ د) تم تفكيكها أو تغييرها أو إصلاحها من قبل أي جهة أخرى غير نوكو؛ هـ) تم الإبلاغ عن عيوبها بعد انتهاء فترة الضمان.

لا يغطي هذا الضمان المحدود: (١) البلى العادي؛ (٢) أو تلف في جانب تكميلي لا يؤثر على القدرة الوظيفية؛ أو (٣) المنتجات التي يكون فيها الرقم التسلسلي لنوكو مفقوداً أو مشوهاً أو طراً عليه تغيير.

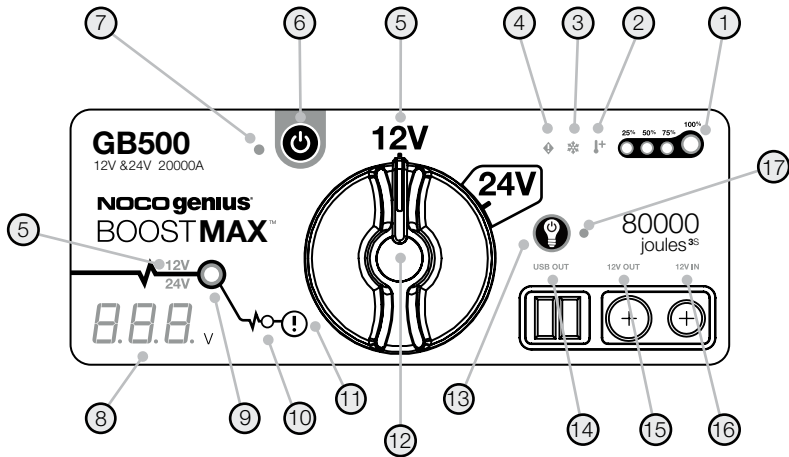
يمكنك تسجيل منتج نوكو الخاص بك على الإنترنت على العنوان التالي: no.co/register. إذا كان لديك أية أسئلة بخصوص الضمان أو المنتج، اتصل بدعم نوكو (البريد الإلكتروني ورقم الهاتف أعلاه) أو اكتب إلى: شركة نوكو على العنوان: ٣٠٣٣٩ Diamond Parkway, #١٠٢, Glenwillow, OH ٤٤١٣٩ USA.

البطارية الداخلية:	ليثيوم أيون (واط في الساعة) (٣٦٦Wh)
تصنيف ذروة التيار:	٢٠,٠٠٠A
3Sjoules:	+٨٠,٠٠٠
درجة حرارة التشغيل:	٣٠- درجة مئوية إلى ٥٠+ (-٢٢ درجة فهرنهايت إلى +١٢٢ درجة فهرنهايت)
درجة حرارة الشحن:	من ٠ درجة مئوية إلى ٤٠+ درجة مئوية (٣٢ درجة فهرنهايت إلى +١٠٤ درجة فهرنهايت)
درجة حرارة التخزين:	٢٠- درجة مئوية إلى درجة مئوية+٥٠ (متوسط درجة الحرارة)
منفذ USB (خرج):	المزدوج ٥V، ١A، ٢
١٢ فولت (الإدخال):	٥A، ١٢V
١٢ فولت (الإخراج):	١٥A، ١٢V
حماية المبيت:	IP٦٥ (واط / منافذ مغلقة)
التبريد:	الحراري الطبيعي
الأبعاد (الطول × العرض × الارتفاع):	١٢,٢٥ × ٨,٢٥ × ٢,٢٥ بوصة (٣١١,١٥ × ٢٠٩,٥٥ × ٥٧,١٥ مم)
الوزن:	١٩ جنيه

كيفية الاستخدام

الخطأ	السبب/الحل
 <p>Error LED (مؤشر LED بوجود خطأ): اللون الأزرق الثابت Error LED (مؤشر LED بوجود خطأ): وميض فلاش (١) وحيد Error LED (مؤشر LED بوجود خطأ): وميض فلاش ثنائي (٢) Error LED (مؤشر LED بوجود خطأ): وميض فلاش ثلاثي (٣) Error LED (مؤشر LED بوجود خطأ): وميض فلاش رباعي (٤) Error LED (مؤشر LED بوجود خطأ): وميض فلاش خماسي (٥)</p>	<p>تم الكشف عن قطبية عكسية. / اعكس توصيلات البطارية. تم الكشف عن دائرة قصيرة على مشابك البطارية. / أزل جميع الأحمال وأعد توصيل المشابك بالبطارية. التشغيل بالتوصيل من بطارية أخرى لفترة أطول من عشر (١٠) دقائق. / أوقف تشغيل الوحدة، ثم قم بتشغيلها. تعطل مفتاح التبديل الرئيسي الداخلي تأكد من وضع مقبض اختيار الفولتية بشكل صحيح في وضع ١٢ فولت أو ٢٤ فولت. تم اكتشاف خلية بطارية سيئة أثناء الشحن. / أوقف تشغيل الوحدة، واتصل بدعم نوكو. خطأ التيار الزائد الخارج من XGC OUT / أزل الشحنة من XGC OUT، ثم أوقف تشغيل الوحدة ثم أعد تشغيلها.</p>
 <p>Hot LED (مؤشر LED بالسخونة) ثابت Hot LED (مؤشر LED بالسخونة) يومض</p>	<p>تعمل الوحدة بكامل طاقتها، لكنها تقترب من الحد الأعلى لدرجة الحرارة. / اترك الوحدة حتى تبرد. الوحدة ساخنة للغاية بحيث يتعذر تشغيلها بالتوصيل من بطارية أخرى، لكن لا تزال الوظائف الأخرى متاحة. / اترك الوحدة حتى تبرد، وضع الوحدة في بيئة أنبرد.</p>
 <p>Hot LED (مؤشر LED بالسخونة) يومض ثم تتوقف جميع مؤشرات LED عن العمل</p>	<p>تعمل الوحدة بكامل طاقتها، لكنها تقترب من الحد الأقل لدرجة الحرارة. / اترك الوحدة حتى تُحمى. الوحدة باردة للغاية بحيث يتعذر تشغيلها بالتوصيل من بطارية أخرى، لكن لا تزال الوظائف الأخرى متاحة. / اترك الوحدة حتى تُحمى، وضع الوحدة في بيئة أدفا.</p>
 <p>Cold LED (مؤشر LED بالبرودة): ثابت Cold LED (مؤشر LED بالبرودة): يومض</p>	<p>تعمل الوحدة بكامل طاقتها، لكنها تقترب من الحد الأقل لدرجة الحرارة. / اترك الوحدة حتى تُحمى. الوحدة باردة للغاية بحيث يتعذر تشغيلها بالتوصيل من بطارية أخرى، لكن لا تزال الوظائف الأخرى متاحة. / اترك الوحدة حتى تُحمى، وضع الوحدة في بيئة أدفا.</p>
 <p>Cold LED (مؤشر LED بالبرودة): يومض ثم تتوقف جميع مؤشرات LED عن العمل</p>	<p>التسخين الذاتي لبطاريات الليثيوم أيون عند استخدامها. في حالة إضافة مؤشر Cold Error LED (الخطأ في حالة البرودة)، حاول التشغيل بالتوصيل من بطارية أخرى عدة مرات لإحماء البطارية وإزالة الخطأ. وعادة ما يكون التشغيل بالتوصيل من بطارية أخرى من ٣ إلى ٤ مرات كافياً لإحماء البطارية وإزالة الخطأ.</p>
ملاحظة تقنية	

- ١- مستوى البطارية الداخلية يشير إلى مستوى شحن البطارية الداخلية.
- ٢- Hot LED (مؤشر LED بالسخونة) يومض باللون الأحمر الثابت، عندما تعمل الوحدة بكامل طاقتها، لكن مع اقترابها من الحد الأعلى لدرجة الحرارة. ويومض باللون الأحمر؛ بما يدل على أن الوحدة ساخنة للغاية على نحو يتعذر تشغيلها بالتوصيل من بطاريات أخرى، لكن لا تزال الوظائف الأخرى متاحة.
- ٣- Cold LED (مؤشر LED بالبرودة) يومض باللون الأزرق الثابت، عند تعمل الوحدة بكامل طاقتها، لكن مع اقترابها من الحد الأقل لدرجة الحرارة. ويومض باللون الأزرق؛ بما يدل على أن الوحدة باردة للغاية على نحو يتعذر تشغيلها بالتوصيل من بطاريات أخرى، لكن لا تزال الوظائف الأخرى متاحة.
- ٤- Error LED (مؤشر LED بوجود خطأ) يومض باللون الأحمر في حالة الكشف عن قطبية عكسية.
- ٥- مؤشر الفولتية يشير إلى مؤشر نظام الفولتية الذي يتم ضبط جهاز GB500 عليه حالياً. ١٢٧ (فولت) يومض باللون الأبيض عندما يكون في وضع ١٢ فولت، و ٢٤٧ (٢٤ فولت) يومض باللون الأزرق عندما يكون في وضع ٢٤ فولت.
- ٦- زر الطاقة اضغط عليه لتشغيل الوحدة وإيقاف تشغيلها.
- ٧- Power LED (مؤشر بيان الطاقة) يومض باللون الأبيض عندما تكون الوحدة قيد التشغيل.
- ٨- الفولتميتر (مقياس شاحن البطارية) يقرأ الفولتميتر المضمن فولتية بطارية السيارة لتعزيز التشخيص واستكشاف الأخطاء وإصلاحها. سيقراً الفولتميتر فولتية أي بطارية (أو نظام البطارية) تلقائياً، عند توصيل مشابك البطارية - حتى لو كانت الوحدة ليست قيد التشغيل. وسيقرأ الفولتميتر الفولتية بين حوالي ٣ فولت إلى ٣٠ فولت تقريباً. وإذا كانت البطارية المتصلة أقل من ٣ فولت، فلن يتم عرض أي شيء. في هذه الحالة، من المحتمل أن يكون هناك حمل (أحمال) على البطارية، مثل المصابيح الأمامية أو مروحة التيار المتردد التي يجب إيقاف تشغيلها قبل محاولة بدء تشغيل السيارة.
- ٩- Boost LED (مؤشر التعزيز) يضيء عندما يكون التعزيز نشطاً. إذا تم توصيل الوحدة بشكل صحيح بالبطارية، فإن جهاز GB500 سيكتشف تلقائياً البطارية ويذهب إلى وضع التعزيز (يومض مؤشر LED الأبيض عند تنشيط خاصية Manual Override (إلغاء التحكم اليدوي).
- ١٠- Manual Override LED (مؤشر إلغاء التحكم اليدوي) يومض باللون الأحمر الثابت عند تنشيط خاصية إلغاء التحكم اليدوي.
- ١١- زر Manual Override (إلغاء التحكم اليدوي) لتمكين هذا الزر، اضغط مع الاستمرار لمدة ثلاث (٣) ثوانٍ. تحذير: يعطل حماية السلامة ويفرض تشغيل وضع Boost (التعزيز) بصورة يدوية. فقط للاستخدام عندما تكون البطارية منخفضة للغاية بحيث يصعب الكشف عن ذلك.
- ١٢- مقبض اختيار الفولتية أدر هذا المقبض للتبديل بين وضع ١٢ فولت و ٢٤ فولت
- ١٣- زر وضع الضوء يتيح تبديل تشغيل ضوء العمل من خلال ٧ أوضاع للضوء: > 100% < 50% < 10% < SOS < وميض خافت < وميض قوي < إيقاف التشغيل.
- ١٤- USB Out LED (مؤشر خرج USB) عندما يضيء باللون الأبيض، يمكن استخدام وظيفة USB Out (خرج USB) في كل من الوضعين ١٢ فولت و ٢٤ فولت.
- ١٥- ١٢٧ Out LED (مؤشر خرج ١٢ فولت) عندما يضيء باللون الأبيض، يمكن استخدام وظيفة ١٢٧ Out (خرج ١٢ فولت) في وضع ١٢ فولت.
- ١٦- ١٢٧ In LED (مؤشر الإدخال ١٢ فولت) يضيء باللون الأبيض؛ وعندما يمكن استخدام وظيفة ١٢٧ In فقط في وضع ١٢ فولت.
- ١٧- Light Mode LED (مؤشر وضع الضوء) يضيء باللون الأبيض عندما يكون مصباح العمل في الوضع «ON» (تشغيل)، لكن الوحدة متوقفة.



الخطوة الثالثة: بدء التشغيل الانتقالي.

١) تأكد من إيقاف تشغيل جميع أحمال الطاقة بالمركبة (الأضواء الأمامية، والراديو، ومكيف الهواء، وما إلى ذلك) قبل بدء التشغيل السريع للمركبة. إذا كانت المركبة مزودة بمفتاح رئيسي، فأدره إلى الوضع «تشغيل».

٢) اضغط زر التشغيل لبدء التشغيل الانتقالي. ستقوم جميع مؤشرات LED بالومض للإشارة إلى أنها تعمل على نحو صحيح. وإذا كانت البطارية متصلة على نحو صحيح، فسيضيء مؤشر LED الأبيض الخاص بالتعزيز. وإذا كانت قوامط البطارية متصلة على نحو عكسي، فسيضيء مؤشر LED الأحمر الخاص بالخطأ. ويتعين عليك حينها عكس الوصلات لتصحيح هذا الخطأ، حتى يُضيء مصباح LED الأبيض الخاص بالتعزيز. وبضيء مصباح LED الأبيض الخاص بالتعزيز، عندما تكون وحدة GB000 مستعدة لبدء تشغيل مركبتك بصورة سريعة.

٣) حاول بدء تشغيل المركبة. سوف تبدأ معظم المركبات في العمل على الفور. وقد تتطلب بعض المركبات توصيل وحدة GB000 لما يصل إلى ٣٠ ثانية قبل بدء التشغيل. وإذا لم تبدأ المركبة بالعمل في الحال، فانتظر من ٢٠ إلى ٣٠ ثانية وحاول مجدداً. ويُحظر محاولة بدء التشغيل انتقاليًا لما يزيد عن خمسة (٥) مرات على التوالي خلال خمسة عشر (١٥) دقيقة. وامهل وحدة GB000 مدة خمس عشرة (١٥) دقيقة قبل محاولة بدء تشغيل المركبة سريعاً مرة أخرى.

٤) بمجرد بدء تشغيل المركبة، قم بفصل قوامط البطارية، وإزالة وحدة GB000.

البطاريات منخفضة الجهد والتجاوز اليدوي

تم تصميم وحدة GB000 لبدء تشغيل البطاريات التي تعمل بالحمض والرصاص بجهد ١٢ فولت حتى ٢ فولت. فإذا كان جهد بطارياتك أقل من ٢ فولت، فسيتحول مؤشر LED الخاص بالتعزيز إلى وضع «إيقاف التشغيل». ويشير هذا إلى عدم تمكن وحدة GB000 من اكتشاف البطارية. وإذا كان يتعين عليك بدء تشغيل بطارية بجهد أقل من ٢ فولت انتقاليًا، فهناك ميزة تجاوز يدوي، تسمح لك بفرض وضع «التشغيل» على وظيفة بدء التشغيل الانتقالي

تنبيه..

استخدم هذا الوضع مع توخي الحذر الشديد. هذا الوضع مخصص فقط للبطاريات الحمضية المصنوعة من الرصاص ذات جهد ١٢ فولت أو ٢٤ فولت. تأكد من وجود مقبض اختيار الفولتية في الوضع الصحيح (١٢ فولت أو ٢٤ فولت) بحيث يتوافق مع نظام البطارية الجاري تشغيله بالتوصيل من بطاريات أخرى. يتم تعطيل كل من الميزة المضادة للشرر وميزة الحماية من القطبية العكسية. انتبه جيدًا لقطبية البطارية قبل استخدام هذا الوضع. يُحظر السماح لقوامط البطارية الموجبة والسالبة بالتلامس مع بعضها البعض لأن المنتج سوف يولد شرر. ويستخدم هذا الوضع تيار مرتفع جدًا (يصل إلى ١٠٠٠ أمبير) مما قد يؤدي إلى حدوث شرر وحرارة مرتفعة إذا لم يُستخدم على نحو صحيح. فإذا كنت غير متأكد من أنه يتعين عليك استخدام هذا الوضع، يُحظر محاولة استخدامه، واطلب المساعدة المهنية.

شحن التيار المستمر ١٢ فولت (٦٦ واط).

يجب أن يكون جهاز GB500 في وضع ١٢ فولت لإعادة شحنه. تأكد من أن مقبض اختيار الفولتية في وضع ١٢ فولت قبل الشحن. قم بتوصيل كابل ١٢ فولت بمنفذ الإدخال ١٢ فولت لجهاز GB500 والطرف الآخر بقابس ذكري ١٢ فولت. قم بالتوصيل بقابس كهرباء إضافي ١٢ فولت (منفذ ولاعة السجائر).

الشحن بالتيار المتردد (٥٦ واط).

يجب أن يكون جهاز GB500 في وضع ١٢ فولت لإعادة شحنه. تأكد من أن مقبض اختيار الفولتية في وضع ١٢ فولت قبل الشحن. قم بتوصيل كابل XGC ١٢ فولت بمنفذ الإدخال ١٢ فولت لجهاز GB500 والطرف الآخر لمحول الكهرباء ٥٦ واط بالتيار الكهربائي المتردد (منفذ التيار الكهربائي بالجدار جهد ١٠٠-٢٤٠ فولت متناوب).

تشغيل الأجهزة ذات جهد ١٢ فولت.

يجب أن يكون جهاز GB500 في وضع ١٢ فولت لإخراج ١٢ فولت. قم بتوصيل كابل ١٢ فولت بمنفذ الإخراج ١٢ فولت بجهاز GB500 والطرف الآخر بالقياس الأثثوي ١٢ فولت (منفذ إضافي ١٢ فولت / منفذ ولاعة السجائر). قم بالتوصيل بأي جهاز ١٢ فولت معياري (ما يصل إلى ١٥ أمبير) من خلال قابس ١٢ فولت وقم بتدوير جهاز GB500 على الوضع «ON» (تشغيل) لبدء تشغيل الجهاز.

الخطوة الثانية: التوصيل بالبطارية.

اقرأ دليل مالك المركبة بعناية وافهمه جيدًا فيما يتعلق بالاحتياطات المحددة والطرق الموصى بها لبدء تشغيل المركبة انتقاليًا. وتأكد من تحديد جهد البطارية والآلية الكيميائية التي تستخدمها، وذلك بالرجوع إلى دليل مالك البطارية قبل استخدام هذا المنتج. جهاز GB500 هو فقط لتشغيل أنظمة البطاريات الحمضية المصنوعة من الرصاص ذات جهد ١٢ و ٢٤ فولت بالتوصيل من بطاريات أخرى. قبل التوصيل بالبطارية، تحقق من فولتية نظام البطارية. تأكد من وجود مقبض اختيار الفولتية في الوضع الصحيح (١٢ فولت أو ٢٤ فولت) بحيث يتوافق مع نظام البطارية الجاري تشغيله من بطاريات أخرى. قبل التوصيل بالبطارية، تحقق من أن لديك بطارية تعمل بالحمض والرصاص بجهد ١٢ فولت. ولا تتناسب وحدة GB500 مع أي نوع آخر من البطاريات. ويجب عليك تحديد القطبية الصحيحة لأطراف البطارية. ويتم تمييز الأطراف الموجبة في البطارية عادةً بهذه الحروف أو الرموز (+, POS, P). تجنب مطلقًا تغيير الجهد أثناء توصيل الوحدة بالبطارية. لا تعهد إلى تغيير الجهد إلا أثناء إيقاف تشغيل الوحدة. أما الأطراف السلبية في البطارية فيتم تمييزها عادةً بهذه الحروف أو الرموز (-, NEG, N). يُحظر تركيب أي وصلات بالمكبرن، أو أنابيب الوقود، أو الأجزاء المصنوعة من ألواح معدنية رقيقة. تختص التعليمات أدناه بنظام التأريض السلبية (الأكثر شيوعًا) فإذا كانت مركبتك تعمل بنظام التأريض الإيجابي (غير شائع جدًا)، اتبع التعليمات أدناه بترتيب عكسي.

١) قم بتوصيل الموصل Boost Max (الأسود) السالب بالمنفذ السالب بجهاز GB500.

٢) قم بتوصيل الموصل Boost Max (الأحمر) الموجب بالمنفذ الموجب بجهاز GB500.

٣) نظف دائمًا أطراف التوصيل قبل توصيل المشابك. ملاحظة: قد تتسبب التوصيلات الخاطئة وأطراف التوصيل المتسخة في انبعاث الدخان. ستزيد أيضًا البطاريات ذات الجهد المنخفض من فرصة تصاعد الدخان.

٤) قم بتوصيل الموصل Boost Max (الأحمر) الموجب بطرف البطارية الموجب (POS أو P أو +).

٥) قم بتوصيل الموصل Boost Max (الأسود) السالب بطرف البطارية السالب (NEG أو N أو -) أو هيكل السيارة. (قد لا يكون ملائمًا تأريض الهيكل من أجل استخدامات التشغيل باستخدام كابل التوصيل).

٦) عند الفصل، افصل بتسلسل عكسي، بحيث تتم إزالة السالب أولاً (أو الموجب أولاً للأنظمة الأرضية الموجبة).

وتصنيعه لي مطابق للوائح التي تحكم انبعاثات الترددات اللاسلكية. ومن شأن تلك الانبعاثات الواردة من المنتج أن تؤثر تأثيراً سلبياً على تشغيل المعدات الإلكترونية الأخرى، مما يتسبب في تعطيلها. رقم الطراز : GB00 يتوافق هذا الجهاز مع الجزء رقم 10 من قواعد لجنة الاتصالات الفيدرالية (FCC). يخضع التشغيل للشروطين التاليين: (1) لا يجوز أن يتسبب هذا الجهاز في حدوث تشويش ضار، و(2) يجب أن يقبل الجهاز أي تشويش يتلقاه بما في ذلك التشويش الذي قد يتسبب بحدوث تشغيل غير مرغوب فيه. ملاحظة: تم اختبار هذا الجهاز وثبت توافقه مع حدود الأجهزة الرقمية من الفئة ب طبقاً للجزء 10 من قواعد لجنة الاتصالات الفيدرالية (FCC). وقد تم وضع هذه الحدود لتوفير حماية ملائمة ضد التداخل عند تشغيل المعدات في بيئة تجارية. هذا الجهاز يولد ويستخدم ويمكن أن يشع طاقة تردد لاسلكية، وإذا لم يتم تركيبه واستخدامه وفقاً للدليل التعليمات، فقد يؤدي إلى حدوث تشويش ضار بالاتصالات اللاسلكية. ومن المرجح أن يتسبب تشغيل هذا الجهاز في منطقة سكنية في حدوث تداخل ضار وفي هذه الحالة سيطلب من المستخدم تصحيح هذا التداخل على حسابه الخاص.

كيفية الاستخدام

الخطوة الأولى: اشحن وحدة GB00.

يأتي جهاز GB00 مشحوناً جزئياً وجاهزاً للاستخدام، ويتعين شحنه بالكامل قبل الاستخدام. قم بتوصيل جهاز GB00 باستخدام محول جهد 12 فولت المضمن أو محول الطاقة XGC 56 واط بمنفذ الإدخال 12 فولت. يجب أن يكون جهاز GB00 في وضع 12 فولت لإعادة شحنه. تأكد من أن مقبض اختيار الفولتية في وضع 12 فولت قبل الشحن. يتم تعيين منفذ الإدخال XGC 12 فولت على 12 فولت، 5 أمبير لضمان الشحن الآمن والفعال لبطارية الليثيوم الداخلية. نظراً للوائح لجنة الاتصالات الفيدرالية، نوصي بعدم شحن الوحدة وتفريغها في نفس الوقت. سوف يختلف وقت إعادة شحن جهاز GB00 بناءً على مستوى إعادة الشحن ومصدر الطاقة المستخدم. قد تختلف النتائج الفعلية بسبب ظروف البطارية.

وقت إعادة الشحن: 6 إلى 8 ساعات

استخدام كابل التيار المستمر 12 فولت أو محول الطاقة ذي التيار المتردد لإعادة شحن وحدة تم تفريغها بالكامل. وسوف يختلف وقت إعادة الشحن على أساس مستوى التفريغ.

25% 50% 75% 100%



عند إعادة الشحن، يُشار إلى مستوى شحن البطارية الداخلية بواسطة مؤشرات LED الخاصة بمستويات الشحن. ستومض مؤشرات LED ببطء على "On" (تشغيل) و"Off" (إيقاف تشغيل) وتصبح صلبة إلى حين شحن جميع مؤشرات LED الأربعة الخاصة بمستويات الشحن. عندما تكون البطارية ممتلئة بالكامل، سوف يُضيء مؤشر LED الأخضر بشكل ثابت، وسيتم "إيقاف تشغيل" مؤشرات LED الخاصة بمستويات الشحن 25%، و50%، و75%. ومن وقت لآخر، سينبض مؤشر LED الأخضر 100% مشيراً إلى حدوث شحن الصيانة.

درجة مئوية تحت أي ظرف. **التوافق.** يتوافق هذا المنتج فقط مع أنظمة البطاريات الحمضية المصنوعة من الرصاص ذات جهد ١٢ و ٢٤ فولت. لا تحاول استخدام المنتج مع أي نوع آخر من البطاريات. قد يؤدي التشغيل بالتوصيل من التراكيب الكيميائية لبطاريات أخرى إلى الإصابة أو الموت أو تلف الممتلكات. اتصل بالشركة المصنعة للبطارية قبل محاولة بدء التشغيل بالتوصيل من البطارية الأخرى. تجنب التشغيل بالتوصيل من بطارية أخرى إذا كنت غير متأكد من التركيب الكيميائي أو الفولتية الخاصة بالبطارية. **البطارية.** يتعين استبدال بطارية الليثيوم أيون المدمجة في المنتج من قبل شركة نوكو فقط ويجب إعادة تدويرها أو التخلص منها بشكل منفصل عن المخلفات المنزلية. لا تحاول استبدال البطارية بنفسك ولا تتعامل مع بطارية ليثيوم أيون تالفة أو مسربة. لا تتخلص من البطارية أبداً في المخلفات المنزلية. التخلص من البطاريات في المخلفات المنزلية أمر غير قانوني بموجب القوانين واللوائح المحلية والفيدرالية المعنية بالبيئة. احرص دائماً على أخذ البطاريات المستعملة إلى مركز تدوير البطاريات المحلي. إذا كان منتج البطارية ساخناً بصورة مبالغ فيها أو يُصدر رائحة أو مشوهاً أو مقطوعاً أو به حادث غير طبيعي ظاهر، توقف فوراً عن استخدامه واتصل بشركة نوكو. **شحن البطارية.** اشحن المنتج بمحول التيار المستمر جهد ١٢ فولت المضمن أو المحول الكهربائي XGC ٥٦ واط. يجب توخي الحذر من استخدام محولات الطاقة منخفضة الجودة، لأنها قد تنطوي على خطر كهربائي خطير يمكن أن يؤدي إلى إصابة الأشخاص والأجهزة والممتلكات. قد يؤدي استخدام الكابلات أو الشواحن التالفة، أو الشحن عند وجود رطوبة، إلى حدوث صدمة كهربائية. نوكو ليست مسؤولة عن سلامة المستخدم عند استخدام الملحقات أو الإمدادات غير المعتمدة من قبل نوكو. قد تصبح محولات الطاقة دافئة أثناء الاستخدام العادي، وقد تسبب ملامسة الجلد لها لفترة طويلة في إصابات جسدية. احرص دائماً على التهوية الكافية حول محولات الطاقة عند استخدامها. لضمان أقصى عمر للبطارية، وتجنب شحن المنتج لأكثر من أسبوع في المرة الواحدة، حيث إن الشحن الزائد عن الحد قد يقصر عمر البطارية. مع مرور الوقت، سيتم شحن المنتج غير المستخدم ويجب إعادة شحنه قبل الاستخدام. أفضل المنتج من مصادر الطاقة عند عدم استخدامه. استخدم المنتج فقط في أغراضه المقصودة. **الأجهزة الطبية.** قد يُصدر المنتج مجالات كهرومغناطيسية. يحتوي المنتج على مكونات مغناطيسية والتي قد تتداخل مع الناظمات أو مزيلات الرجفان أو أي أجهزة طبية أخرى. قد تتداخل هذه المجالات الكهرومغناطيسية مع الناظمات أو أي أجهزة طبية أخرى. استشر طبيبك قبل الاستخدام إذا كان لديك أي أجهزة طبية من بينها الناظمات. إذا شككت في أن المنتج يتداخل مع جهاز طبي، توقف عن استخدام المنتج على الفور واستشر طبيبك. **الحالات الطبية.** إذا كنت تعاني من حالة طبية تعتقد أنها قد تتأثر بالمنتج، ويشمل ذلك على سبيل المثال لا الحصر، النوبات أو فقدان الوعي أو الإجهاد البصري أو الصداع، استشر طبيبك قبل استخدام المنتج. يحتوي استخدام الضوء الوميضي على المدمج العالي الطاقة على مخاطرة حساسية خفيفة. قد يسبب استخدام الضوء في وضع Strobe نوبات للأشخاص الذين يعانون من صرع الحساسية للضوء، الذي قد ينتج عنه إصابة خطيرة أو وفاة. **خفة الوزن.** قد يتسبب إحداث النظر في الضوء الوميضي في إصابة مستدمة في العين. المنتج مزود بمصباح مركز مسبقاً بتقنية LED يُصدر شعاعاً قوياً في أعلى الإعدادات. **التنظيف.** أفضل الطاقة عن المنتج قبل محاولة إجراء أية صيانة أو تنظيف. نظف وجفف المنتج على الفور إذا تلامس مع سائل أو أي نوع من الملوثات. استخدام قطعة قماش ناعمة وخالية من الكتان (الألياف الدقيقة). تجنب دخول الرطوبة في الفتحات. **أجواء التفجيرات.** اتبع كافة الإشارات التحذيرية والتعليمات. لا تشغل المنتج في أية منطقة بها جو تفجيري محتمل، ويشمل ذلك مناطق تزويد الوقود أو المناطق التي تحتوي على مواد كيميائية أو جسيمات مثل الحبوب أو الغبار أو مساحيق المعادن. **الأنشطة عالية الخطورة.** هذا المنتج غير مخصص للاستخدام في الحالات التي قد يؤدي فيها عطل الجهاز إلى الإصابة أو الوفاة أو الضرر البيئي الشديد. **تداخل الترددات اللاسلكية.** تم تصميم المنتج واختباره

تحذيرات السلامة الهامة

الاقتراح ٦٥. تحتوي قوائم تثبيت البطارية وأطراف التوصيل بها والملحقات المتصلة بها على مواد كيميائية من بينها الرصاص. وهذه المواد معروفة لدى ولاية كاليفورنيا بأنها تسبب الإصابة بالسرطان والتشوهات الخلقية للمواليد وتلحق أضراراً أخرى بالجهاز التناسلي. الاحتياطات الشخصية: استخدم المنتج حسبما هو مبين فقط. وينبغي أن يوجد شخص في نطاق يصل صوتك إليه أو قريب منك بما يكفي لمساعدتك في حالة الطوارئ. احصل على وجود إمداد كافٍ من المياه النظيفة والصابون في حال التلوث من حمض البطارية. واحرص على ارتداء واقى العينين الكامل وملابس واقية أثناء العمل بالقرب من البطارية. وعليك دائماً أن تغسل يديك بعد التعامل مع البطاريات والمواد ذات الصلة. احرص على عدم لمس أو ارتداء أية أشياء معدنية عند العمل مع البطاريات، ويشمل ذلك الأدوات أو الساعات أو المجوهرات. وإذا سقط أي معدن على البطارية فمن الممكن أن يحدث شرارة أو ينتج عنه ماس كهربائي مما قد يتسبب بدوره في حدوث صدمة كهربائية أو حريق أو انفجار وبالتالي قد ينتج عنه إصابة أو وفاة أو ضرر بالممتلكات. القُصر. إذا كان المشتري يتتوي أن يستخدم القُصرُ المنتج، فعلى المشتري من الكبار الموافقة على توفير تعليمات تفصيلية وتحذيرات لأي قاصر قبل استخدامه للمنتج. وفي حالة عدم القيام بذلك، يتحمل «المشتري» المسؤولية وحده ويوافق على أن يعرض شركة نوكو عن أي استخدام غير مقصود أو سوء استخدام من جانب أي من القصر. خطر الاختناق. قد تتسبب الملحقات في خطر الاختناق للأطفال. ولذلك، ينبغي ألا ترك الأطفال بدون مراقبة وفي حوزتهم المنتج أو أي من ملحقاته. فالمنتج ليس لعبة. التعامل مع المنتج. احرص على التعامل مع المنتج بعناية. فقد يتعرض المنتج للتلف إذا اصطدم بأي شيء. لا تستخدم المنتج التالف ويشمل ذلك، على سبيل الذكر، وليس الحصر، الشروخ في علبة المنتج أو تلف الكابلات. ولا تستخدم المنتج وبه سلك كهرباء تالف. ومن الممكن أن تتسبب الرطوبة والسوائل في إتلاف المنتج. لا تتعامل مع المنتج أو أي مكونات كهربائية بالقرب من أي سائل. احرص على تخزين المنتج وتشغيله في أماكن جافة. تجنب تشغيل المنتج إذا تعرض للبلل. وإذا كان المنتج يعمل بالفعل وتعرض للبلل، فعليك أن تفصله من البطارية وتوقف استخدامه على الفور. لا تفصل المنتج من خلال شدّ الكابلات. التعديلات. لا تحاول إجراء أية تغييرات أو تعديلات أو إصلاحات على أي جزء من المنتج. فتفكيك المنتج قد يتسبب في حدوث إصابة أو وفاة أو إضرار بالممتلكات. وإذا تعرض المنتج للتلف أو العطل أو تلامس مع أي سائل، فأوقف استخدامه واتصل بشركة نوكو. علماً بأن إجراء أية تعديلات على المنتج سوف تلغي ضمانك. الملحقات. إن هذا المنتج معتمد فقط للاستخدام مع ملحقات نوكو. ولا تتحمل نوكو المسؤولية عن سلامة المستخدم أو الإضرار به عند استخدام ملحقات غير معتمدة من قبل نوكو. المكان. امنع حمض البطارية من التلامس مع المنتج. لا تشغل المنتج في منطقة مغلقة أو منطقة غير جيدة التهوية. لا تضع البطارية فوق المنتج. ضع موجهاً الكابل لتجنب التلف غير المقصود عن طريق تحريك أجزاء السيارة (ويشمل ذلك غطاء المحرك والأبواب)، وتحريك أجزاء المحرك (ويشمل ذلك ريش المروحة والسيور والبكرات)، أو ما قد يتسبب في خطر من شأنه التسبب في الإصابة أو الوفاة. درجة حرارة التشغيل. تم تصميم هذا المنتج للعمل في درجات حرارة البيئة المحيطة بين ٣٠ إلى ٤٠ درجة مئوية. تجنب التشغيل خارج معدلات درجة الحرارة. لا تحاول بدء التشغيل من بطارية مجمدة. توقف عن استخدام المنتج على الفور إذا سخّنت بطاريته بشكل متزايد. التخزين. لا تستخدم أو تخزن المنتج في المناطق التي بها تراكيز عالية للغبار أو المواد المحمولة في الهواء. خزن منتجك على أسطح مستوية وآمنة لكي لا يكون عرضة للسقوط. خزن المنتج في مكان جاف. درجة حرارة التخزين هي ٢٠ إلى ٢٥ درجة مئوية (متوسط درجة الحرارة). لا تتجاوز ٨٠

NOCO genius[®] BOOSTMAX[™] GB500

دليل المستخدم والضمان

عربي

عليك قراءة جميع معلومات السلامة واستيعابها قبل استخدام هذا المنتج. قد يؤدي عدم اتباع تعليمات السلامة هذه إلى التعرض لصدمة كهربائية، أو حدوث انفجار أو اندلاع حريق مما قد يؤدي إلى حدوث إصابة خطيرة أو الوفاة أو أضرار بالممتلكات.

الصدمة الكهربائية. المنتج عبارة عن جهاز كهربائي قد يسبب صدمة وإصابة خطيرة. لا تقطع أسلاك الكهرباء. ولا تغمسها في المياه أو تعرضها للبلل.

الانفجار. البطاريات غير الخاضعة للمراقبة أو غير المتوافقة أو التالفة قد تحدث انفجاراً إذا استخدمت مع المنتج. لا تترك المنتج بدون مراقبة أثناء استخدامه. ولا تحاول بدء تشغيله من بطارية تالفة أو مجمدة. استخدم المنتج فقط مع البطاريات ذات الجهد الكهربائي الموصى به. احرص على تشغيل المنتج في منطقة جيدة التهوية.

الحريق. إن المنتج عبارة عن جهاز كهربائي يصدر عنه حرارة وقادر على التسبب في الحروق. لذلك لا تغطه. وتجنب التدخين أو استخدام أي مصدر لهب كهربائي أو مصدر للنار عند تشغيل المنتج. وحرص على إبعاد المنتج عن المواد القابلة للاحتراق.

إصابة العين. احرص على ارتداء واقي العينين عند تشغيل المنتج. حيث إن البطاريات يمكن أن تنفجر وتتطاير بقاياها. كما يمكن أن يتسبب حامض البطارية في تهيج العينين والجلد. وفي حالة تلوث العينين أو الجلد، اغسل المنطقة المصابة بالمياه النظيفة الجارية واتصل بمكافحة السموم على الفور.

الغازات المتفجرة. إن العمل بالقرب من الأحماض والرصاص أمر خطير. تولد البطاريات غازات متفجرة أثناء التشغيل العادي لها. ولتقليل خطر انفجار البطارية، اتبع جميع تعليمات معلومات السلامة وتلك التعليمات التي نشرتها الشركة المصنعة للبطارية والجهة المصنعة لأي معدات من المقرر استخدامها في محيط البطارية. راجع العلامات التحذيرية على هذه المنتجات وعلى المحرك.

خطر



لمزيد من المعلومات
والدعم، تفضل بزيارة:

www.no.co/support

את המוצר, כולל מספר האישור מהחברה, לצד קבלה או תשלום "דמי אחריות" (נדרש רק במידה ולא מסופקת קבלה) - ובמחיר של 45% מעלות המוצר). אין לשלוח מוצר ללא תיאום עם החברה וקבלת מספר אישור משירות הלקוחות המעיד על כך שהמוצר באחריות.

הרוכש המקורי אחראי על כלל עלויות האריזה ושילוח במקרה בו הינך מתכוון להשתמש באחריות. התשלום יבוצע מראש.

על אף האמור לעיל, האחריות המוגבלת הזו אינה חלה על מוצרים אשר: א. לא טופלו כראוי, נעשה בהן שימוש בניגוד להנחיות החברה, נעשה בהן חבלה או שימוש רשלני, תאונה, אוחסנו בניגוד להנחיות, או נעשה בהן שימוש בתנאים של מתח קיצוני, טמפרטורה או זעזוע בניגוד להמלצות החברה. ב. נעשה בהן שימוש, תופעלו או הותקנו בצורה רשלנית. ג. שונו ללא הסכמה מפורשת בכתב של חברת NOCO. ד. פורקו או תוקנו או על ידי מי שאינו הוסמך לכך על ידי החברה. ה. הפגמים שהם דווחו לאחר תקופת האחריות.

האחריות לא מכסה כל אחד מהמצבים הבאים: 1. שחיקה או נזק משימוש סביר. 2. נזק קוסמטי שלא משפיע על פעילות המוצר. 3. מוצרים בהם המספר הסידורי של המוצר חסר, נמחק או שונה.

ניתן לרכוש את מוצרנו ישירות מאתר האינטרנט: no.co/register לשאלות ובירורים נוספים בנוגע לאחריות או למוצר ניתן לצור קשר עם שירות הלקוחות שלנו (אימייל וטלפון).
The NOCO Company, 30339 Diamond Parkway, #102, Glenwillow, OH 44139 USA

נתונים טכניים

ליתיום-יון (226 וואט-שעה)	סוללה פנימית:
20000 אמפר	זרם מירבי:
+ 80000	אנרגיה מופקת לאורך 3 שניות (בגיוול):
-30C עד +50C	טמפרטורת עבודה:
0C עד 40C	טמפרטורת טעינה:
-20C עד +50C (טמפ' ממוצעת)	טמפרטורה מומלצת לאחסון:
כפול 5V, 2.1A	יציאת USB
12V, 5A	כניסת מיקרו 12V
12V, 15A	יציאת 12V
דירוג IP65 (כאשר החיבורים סגורים)	הגנה חיצונית:
הסעה טבעית	קירור:
12.25 x 2.25 x 8.25 אינץ'	מידות (אורך X רוחב X גובה):
19 ליברות	משקל:

אחריות




אחריות מוגבלת לשנה ישירות מהיצרן NOCO

חברת NOCO מתחייבת כי מוצר זה (להלן "יקרא "המוצר") יצא מחברתנו ללא פגמים חומריים או פגיעה בביצועי המוצר, והחברה מתחייבת על תקינותו למשך תקופה של שנה אחת (1) מיום הרכישה (להלן "תקופת האחריות"). עבור פגמים שדווחו במהלך תקופת האחריות, NOCO, תפעל על פי שיקול דעתה לגבי אופן הטיפול בתקלה - ותדאג לתקן או להחליף חלקים פגומים במוצר. חלקי החילוף יהיו חדשים או משומשים, אך במצב עבודה הזהה למוצר חדש, ויהיו גם כן כפופים לאחריות היצרן עד סוף תקופת האחריות המקורית.

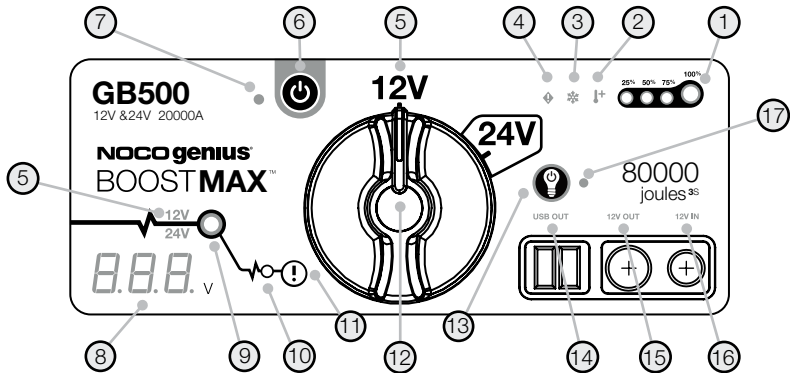
אחריות החברה מוגבלת באופן חלקי להחלפה או לתיקון, במידה המרבית המותרת בחוק. החברה אינה אחראית כלפי רוכש מוצר זה או כל צד שלישי בגין נזקים כלשהם, עקיפים או ישירים, לרבות אך לא רק לאובדן רווחים, נזקי רכוש או פגיעה גופנית, הקשורים בכל דרך שהיא למוצר ללא תלות באופן השימוש בו, גם אם החברה מודעת לסכנות האפשריות היכולות להיגרם ממוצר זה. הסכם זה מוגדר מעל כל אחריות או התחייבות אחרת, מפורשת או כללית, באופן כזה או אחר, ללא שום הגבלות, והחברה לא לוקחת שום אחריות שהיא משימוש במוצר בהתאם להסכם הרכישה. במקרה בו חוק כלשהו סותר הסכם זה, הנייל יחול במידה המרבית בה החוק מאפשר.

אחריות מוגבלת זו ניתנת אך ורק לטובת הרוכש המקורי של המוצר מחברת NOCO או ממפיץ מורשה של חברתנו ואינה ניתנת להעברה. כדי לטעון תביעת אחריות, על הרוכש: א. לבקש ולקבל אישור מהחברה שהמוצר באחריות לפני שליחת המוצר, על ידי פניה בדוא"ל לכתובת support@noco או על ידי התקשרות למספר 001.800.456.6626 ב. לשלוח

פתרון בעיות

מקרים\תגובות	שגיאה
<p>זוהו חיבור הפוך. הפוך את צורת חיבור הסוללה.</p> <p>קצר זוהו בתניני הסוללה. הסר את כלל העומס, חבר מחדש את התנינים למצבר.</p> <p>ניסיון להתנעה ארוך מ-10 דקות. כבה את המכשיר, והדלק מחדש.</p> <p>כשל פנימי. ודא בורר במצב עבודה הרצוי 12V או 24V</p> <p>זיהוי סוללה פגומה בזמן הטענה. כבה את המכשיר ופנה וספק לקבלת שירות.</p> <p>שגיאה ביציאת XGC כתוצאה מעומס יתר. הסר את העומס מה-XGC, כבה את המכשיר והדלק מחדש.</p>	<p> נורת שגיאה: אדום רציף</p> <p>נורת שגיאה: פלאש יחיד</p> <p>נורת שגיאה: פלאש פעמיים ברציפות</p> <p>נורת שגיאה: פלאש שלוש פעמים ברציפות</p> <p>נורת שגיאה: פלאש 5 פעמים ברציפות</p> <p>נורת שגיאה: פלאש 5 פעמים ברציפות</p>
<p>המכשיר ניתן לעבודה, אך הסוללה מתקרבת לטמפרטורת העבודה המקסימלית שלה. אפשר למכשיר להתקרר.</p> <p>המכשיר חם מדי כדי להניע רכב, אך יתר פעולותיו ניתנות לשימוש. אפשר למכשיר להתקרר</p> <p>המכשיר התחמם יתר על המידה ואינו ניתן לשימוש. הבא את המכשיר לסביבת עבודה קרה יותר.</p>	<p> נורת עומס חום: רציפה</p> <p>נורת עומס חום: מהבהבת</p> <p>נורת עומס חום: מהבהבת, ובהמשך כלל נורות החיווי נכבות</p>
<p>המכשיר ניתן לעבודה, אך הסוללה מתקרבת לטמפרטורת העבודה המינימלית שלה. אפשר למכשיר להתחמם.</p> <p>המכשיר קר מדי כדי להניע רכב, אך יתר פעולותיו ניתנות לשימוש. אפשר למכשיר להתחמם.</p> <p>המכשיר קר מדי ואינו ניתן לשימוש. הבא את המכשיר לסביבת עבודה חמה יותר.</p>	<p> נורת עומס קור: אור רציף</p> <p>נורת עומס קור: מהבהבת</p> <p>נורת עומס קור: מהבהבת ובהמשך כלל הנורות החיווי נכבות</p>
<p>סוללות ליתיום-יון מתחממות לבד בזמן השימוש. אם נורת עומס קור נדלקת, נסה להניע את הרכב מספר פעמים על מנת לחמם את המכשיר ולבטל את השגיאה. בדרך כלל, 3-4 ניסיונות התנעה מספיקות על מנת לחמם את המכשיר ולבטל את השגיאה.</p>	<p>הערות טכניות</p>

1. מד טעינה מציג את רמת הטעינה הנוכחית עבור הסוללה הפנימית
2. נורת חום דלוקה ורצופה בצבע אדום: ניתן לעבוד עם המכשיר כרגיל, אך הסוללה מתקרבת לטמפרטורת העבודה המקסימלית שלה. נורת חום אדומה מהבהבת: הסוללה חמה מדי על מנת להתניע, אך ניתן להשתמש במכשיר לאחרים.
3. נורת עומס קור דלוקה ורציפה בצבע כחול: המכשיר זמין לעבודה אך קרוב לגבול הטמפרטורה המינימלית. נורה כחולה מהבהבת: המכשיר קר מדי להתנעה, אך ניתן להשתמש במכשיר לצרכים אחרים.
4. נורת שגיאה דלוקה: אם זוהה חיבור הפוך של הכבלים.
5. נורת מתח מציגה את מצב המתח הנברר ב- GB500. הנורה תאיר בצבע לבן בעת מצב עבודה 12V ותאיר בצבע כחול במצב עבודה 24V.
6. כפתור לחיץ להדלקה וכיבוי של ה-GB500.
7. נורת מכוון מכשיר דלוקובוי, תאיר בצבע לבן כאשר המכשיר דלוק
8. מד מתח: במכשיר קיים מד מתח המאפשר קריאה של המתח הנוכחי הנמצא במצבר הרכב למטרת ניטור בעיות. מד המתח ימדוד אוטומטית את המתח של כל מצבר כאשר התנינים מחוברים אליו, גם אם הרכב כבוי. מד המתח יקרא מתח סוללות בטווח שבין 30V-3V. אם מתח הסוללה לקריאה קטן מ-3V המכשיר לא יראה דבר. מקרה זה אופייני כאשר יש עומס על מצבר הרכב, לדוגמא אם יש אורות דלוקים ברכב או המזגן דלוק. ודא כי רכיבים אלו וכלל צרכני חשמל ברכב מכובים במקרה בו הנך מנסה להניע.
9. נורת עומס גבוה: נדלקת בצבע לבן כאשר מצב עומס גבוה מופעל. אם המכשיר מחובר היטב למצבר הרכב, מכשיר ה-GB500 יזהה מיד את החיבור למצבר ויעבור למצב עומס גבוה אוטומטית. הנורה תהבהב במצב של כניסה ידנית למצב עומס גבוה.
10. נורת מצב ידני: תאיר בצבע אדום רציף כאשר מצב עבודה ידני מופעל
11. כפתור מצב ידני: על מנת להיכנס למצב ידני יש ללחוץ על כפתור זה לחיצה רצופה במשך 3 שניות. זהירות: מצב ידני מבטל הגנות ומדליק מצב עומס גבוה. יש להשתמש רק במצב בו סוללת המכשיר נמוכה.
12. בורר מצב במתח: ניתן לבחור מתח עבודה 12V או 24V
13. בורר מצב פנס: בורר מתוך 7 אפשרויות הארה שונות: 100%, 50%, 10%, סימון חירום SOS, הבהוב, פלאש, כבוי.
14. נורת יציאת USB צבע לבן: יציאת USB ניתנת לשימוש במצב עבודה 12V או 24V.
15. נורת חייוו מתח יציאה 12V צבע לבן: יציאת מתח 12V אפשרית רק במצב עבודה זה.
16. נורת חייוו מתח כניסה 12V צבע לבן: כניסת מתח 12V למכשיר אפשרית רק במצב עבודה זה.
17. נורת חייוו מצב פנס צבע לבן: במצב בו משתמשים במכשיר כפנס, אך המכשיר כבוי.



לסוללה. רק לשנות את המתח בזמן יחידת כבוי. המכשיר מדגם GB500 לא מתאים לכל סוג אחר של מצברים. ודא את הקוטביות הנכונה על מסופי המצבר לפני החיבור. החיבור החיובי מסומן בדרך כלל על ידי (+, POS, P) והחיבור השלילי מסומן בדרך כלל על ידי (-, NEG, N). ודא כי המכשיר לא נוגע בקרבורטור, קווי דלק או חלקים מתכתיים דקים אחרים. ההוראות הבאות הן עבור מערכת הארקה שלילית (הנפוצה ביותר בה גוף הרכב מקוטב שלילית). אם הרכב שלך הוא מקוטב חיובית (נדיר מאוד), פעל לפי ההוראות הבאות בסדר הפוך.

1. חבר את הכבל ה- Boost Max השלילי (שחור) ליציאה השלילית ב- GB500.
2. חבר את הכבל ה- Boost Max החיובי (אדום) ליציאה החיובית ב- GB500.
3. לעולם אל תשנה את המתח בזמן שהיחידה מחוברת לסוללה. רק לשנות את המתח בזמן יחידת כבוי.
4. חבר את הכבל למחבר החיובי (האדום) במצבר שברצונך להניע מסומן ב- POS, P, או +.
5. חבר את הכבל למחבר השלילי (שחור) במצבר שברצונך להניע המסומן ב- EG, N, - או לגוף הרכב. (הארקה למארז אינה מתאימה לקפיצה של יישומים גדולים.)
6. בעת ניתוק, נתק בסדר ההפוך, הסרת החיבור השלילי ראשון (או חיובי תחילה עבור מערכות בהן הקרקע מוגדרת כטעונה חיובית), ולאחר מכן את החיבור החיובי.

שלב 3: התנעה

1. ודא כי כל צרכני החשמל שברכב מכובים לפני ניסיון ההתנעה (רדיו, אורות, מזגן וכו') (הארקה למארז אינה מתאימה לקפיצה של יישומים גדולים.)
2. לחץ על כפתור ידלוקי על מנת להתחיל להתניע. כל נורות החיווי ידלוקו, סימן לכך שהמכשיר מספק כח בצורה תקינה. אם הינך מחובר כראוי למצבר תדלק נורת העומס גבוה תדלק בצבע לבן. אם התנינים מחוברים הפוך, תדלק נורת שגיאה אדומה. הפוך את התנינים בהדקי המצבר על מנת לרסט את שגיאה זו. בחיבור הנכון נורת העומס גבוה תדלק. נורת העומס גבוה הלבנה מעידה כי המכשיר מוכן להתניע את הרכב.
3. נסה להתניע את הרכב. רוב הרכבים יתניעו במייד. ישנם רכבים הדורשים חיבור רציף של המכשיר במשך כ-30 שניות לפני התנעה תקינה. אם הרכב לא מתניע מיד, חכה 30 שניות ונסה שוב. אל תנסה להתניע יותר מ-5 פעמים ברציפות בפרק זמן של 15 דקות. המתן 15 דקות לפני ניסיון להתניע שוב בפעם השישית.
4. לאחר שהצלחת להתניע את הרכב, נתק את התנינים והסר את ה- GB500.

מצברים בעלי מתח נמוך והפעלה ידנית של ההתנעה

ה-GB500 נועד לעזור בהתנעת מצברי 12V מבוססי עופרת-חומצה עד לרמת מתח של 2V. אם מתח המצבר ירד מתחת ל-2V נורת חיווי מצב עבודה של עומס גבוה, בו מתבצעת ההתנעה ישאר כבוי, כלומר - המכשיר לא מזהה את המצבר ולא ינסה להתניע. אם בכל זאת ברצונך להתניע במצב זה יש צורך להכנס למצב הידני, מופיע במכשיר כ- Manual Override שיאפשר להכריח את המכשיר לנסות להתניע למרות שלא זיהה מצבר.

זהירות

השתמש בפונקציה זו בזהירות רבה. ההתנעה אפשרית עבור סוללות מסוג עופרת-חומצה בעלות מתח עבודה של 12V או 24V בלבד. ודא כי בורר המתח נמצא במצב הרצוי לפני ניסיון ההתנעה. שני סוגי ההגנה - מפני חיבור הפוך ומפני פריצת מתח אינם פעילים במצב עבודה זה. הקפד מאוד בחיבור נכון של קיטוב המכשיר למצבר במצב עבודה זה. אל תאפשר לקצר (מגע ישיר) בין התנין החיובי לתנין השלילי, כיוון שחשמל יפרוץ מהמכשיר (ניצוצות). מצב זה מאפשר מעבר זרם גבוה מאוד (עד 1000 אמפר) היכול לגרום לניצוצות וחום גבוה וזוהי סכנה מוחשית. אם אינך בטוח לגבי אופן השימוש במצב זה חפש עזרה מקצועית.

גבוה. המוצר לא נועד לשימוש באזורים בהם קיים חשש לכשל במוצר העלול להוביל לפגיעה, מוות או נזק סביבתי רב. **הפרעות גלי רדיו.** המוצר תוכנן, נבדק ויוצר על מנת לעמוד בכלל רגולציות הממשלה בכל הנוגע לתדרי רדיו. גלי רדיו מהמכשיר עלולות לגרום להפרעה של מכשירים חשמליים ואף לגרום להם לכשל. **מספר דגם: GB500** התקנים אלו עומדים בסעיף 15 של כללי ה-FCC. ההפעלה כפופה לתנאים הבאים: 1. התקן זה עלול לגרום להפרעות מזיקות. 2. התקן זה עלול לחוות הפרעות, לרבות הפרעות הגורמות לפעולות לא רצויות. הערה: ציוד זה נבדק ונמצא תואם למגבלות של התקן הדיגיטלי Class A, בהתאם לחלק 15 של כללי ה-FCC. מגבלות אלה נועדו לספק הגנה סבירה מפני הפרעות סביבה מזיקות כאשר הציוד מופעל בסביבה מתאימה. ציוד זה עלול לפלוט תדרי רדיו הגורמים להפרעות, במידה ואינו יתופעל בהתאם להוראות ההפעלה. הפעלת המוצר באזורי מגורים עלול לגרום להפרעות תקשורת. במקרה זה יידרש המשתמש לתקן את ההפרעות בעצמו וישא בהוצאות על כל נזק שיגרם.

אופן השימוש

שלב 1: טען את ה-GB500

זמן טעינה צפוי: 6-8 שעות
או שנאי מתאים V בעת שימוש במקור מתח 12 לטעינה מלאה. זמן הטעינה משתנה בהתאם לרמת הפריקה של הסוללה

ה-GB500 מגיע טעון חלקית ויש לטעון אותו במלואו לפני השימוש הראשוני. חבר את ה-GB500 באמצעות מטען 12V המצורף, או מטען מסוג XGC 56W לכניסת ה-12V. ה-GB500 חייב להיות במצב 12V בזמן הטעינה. ודא שבורר בחירת המתח נמצא במצב 12V לפני הטעינה. ודא כי יציאת מטען ה-XGC נמצאת במצב 5A 12V כדי להבטיח טעינה בטוחה ויעילה של סוללת הליטיום. כמופיע בתקנות ה-FCC, אנו ממליצים לא לטעון ולפרוק את ה-GB500 בו זמנית. הזמן לטעינה מחדש של ה-GB500 משתנה בהתאם לרמת הפריקה ולמקור החשמל. התוצאות בפועל עשויות להשתנות בהתאם למצב חיי הסוללה.

בעת טעינה, רמת הטעינה של הסוללה הפנימית מסומנת על ידי נוריות החיווי. נוריות הLED יבהבו על האחוז בו רמת הסוללה טעונה, ויעלו בהדרגה עם התקדמות הטעינה. במצב של טעינה מלאה נורית ה-100% תהיה דלוקה וכלל נורות ה-25%, 50% ו-75% יכבו. מעת לעת, יתכן כי נורת ה-100% תהבהב, דבר אשר מעיד על טעינה תחזוקתית לסוללה הפנימית.



טעינה במתח ישר - 12V (60W)

ה-GB500 חייב להיות במצב 12V בזמן הטעינה. ודא שבורר בחירת המתח נמצא במצב 12V לפני הטעינה. חבר את כבל הטעינה להזנת ה-12V ב-GB500 ואת הקצה השני למחבר זכר של 12V. חבר למחבר מצת 12V.

טעינה בזרם חילופין (הספק של 56W)

ה-GB500 חייב להיות במצב 12V בזמן הטעינה. ודא שבורר בחירת המתח נמצא במצב 12V לפני הטעינה. חבר את כבל ה-12V XGC להזנת ה-12V ב-GB500, ואת הקצה השני של המטען להזנת שקע קיר (100-240VAC).

הטענת רכיבים בעלי מתח של 12V

ה-GB500 חייב להיות במצב 12V כדי להוציא מתח של 12V. חבר את כבל ה-12V למחבר יציאת 12V במכשיר, ואת היציאה השנייה לפלאג מקבה של 12V במצת הרכב. חבר כל מכשיר 12V שברצונך להטעין (עד צריכת זרם של 15A) והדלק את ה-GB500 על מנת להתחיל להטעין את המכשיר הרצוי.

שלב 2: חבר למצבר

קרא בעיון את המלצות הבטיחות ואזהרות במדריך הרכב לפני ניסיון ההתנעה. הקפד לקבוע את המתח במכשיר בהתאם למתח המצבר שהנך מנסה להתייע. ה-GB500 נועד לעזור בהתנעה של סוללות עופרת-חומצה פרוקות מסוג 12V או 24V בלבד. לפני חיבור לסוללה, בדוק את מתח העבודה שלה. ודא כי בורר מצב מתח ההוצאה תואם את הסוללה אליה אתה מתחבר (12V או 24V) וברצונך להניע. ודא כי המצבר הינו מצבר של V12 בלבד לפני חיבור המכשיר. לעולם אל תשנה את המתח בזמן שהיחידה מחוברת

אזהרות בטיחות חשובות

הצעה 65. חלקים מן הסוללה עלולים להכיל כימיקלים, כולל עופרת. חומרים אלה ידועים כמסרטנים ועלולים לגרום למומים מולדים ולנזק במערכת הרבייה. **אזהרה למשתמש.** השתמש במוצר לייעודו בלבד. ודא כי יש אדם נוסף בטווח קריאה ממך ושהוא יכול לבוא לעזרתך במקרה חירום. ודא אספקת מים נקיים וסבון בקרבת מקום במקרה של פגיעה מחומצת סוללה. לבש משקפי מגן וביגוד מגן תוך כדי העבודה. יש לשטוף ידיים תמיד לאחר מגע עם סוללות וחומרים קשורים. אין לעבוד עם כלי עבודה מתכתיים או ללבוש חצציה מתכתיים בעת העבודה עם סוללות, לרבות כלי עבודה, שעונים או תכשיטים. אם המתכת באה במגע עם סוללה היא עלולה לגרום לקצר חשמלי שיביא להתחשמלות, שריפה או פיצוץ אשר עלול לגרום לפציעה, למוות או לנזק לרכוש. **שימוש על ידי קטינים.** אם המוצר נקנה על ידי אדם בוגר לשימוש של קטין, על הרוכש המבוגר האחראיות לספק הוראות מפורטות ואזהרות השימוש לקטין לפני השימוש. האחראיות לעשות זאת היא באחריות הבלעדית של "הרוכש", אשר מסכים לשיפוי מלא של חברת NOCO בעת שימוש בלתי מכוון או שימוש ילא תקין על ידי קטין. **סכנת חנק.** חלק מהרכיבים יכולים לגרום לסכנת חנק של ילדים בלתי ערים. אל תשאיר ילדים ללא השגחה בקרבת המוצר או כל אחד מחלקיו. מוצר זה אינו משחק. **טיפול במוצר.** טפל במוצר זה בזהירות. המוצר עלול להינזק בעת פגיעה. אל תשתמש במוצר פגום, כולל אך לא רק, סדקים או פגמים בכבלים, אל תשתמש במוצר עם כבל מתח פגום. נזלים עלולים להזיק למוצר, אל תפעיל את המוצר או כל אחד מרכיביו החשמליים בקרבת נזלים. שמור והשתמש במוצר במקום מוצל ויבש. אל תשתמש במוצר אם הוא רטוב. אם המוצר פועל ולפתע נרטב, יש לנתק אותו ולהפסיק את עבודתו. אל תפסיק את עבודתו על ידי משיכת הכבלים אלא על ידי ניתוקם בצורה מבוקרת וזהירה. **שינויים.** אין לשנות, לפרק או לתקן כל חלק של המוצר. פירוט המוצר עלול לגרום לפציעה, מוות או נזק לרכוש. אם המוצר פגום, נתקל או בא במגע עם נזלים, הפסק את השימוש, פנה אל חברת NOCO. כל שינוי במוצר יבטל את תוקף האחריות. **אביזרים נלווים.** מוצר זה מאושר לשימוש רק עם אביזרים מקוריים. NOCO אינה אחראית לביטיחות המשתמש או לנזק בעת שימוש באביזרים שאינם מאושרים על ידי חברתנו. **מיקום.** המנע ממגע בין המוצר לבין חומצת המצבר. אל תפעיל את המוצר באזור סגור או באזור עם אוורור מוגבל. אל תניח מצבר על גבי המוצר. סדר את הכבלים כך שלא יגרסו נזק במקרה נעים (לרבות מכסי מנע ודלתות), חלקי מנע נעים (כולל להבי מאוורר, חגורות וגלגלות), או כל דבר שעלול להוות סכנה ולגרום לפציעה או למוות. **טמפרטורת עבודה.** מוצר זה תוכנן לעבוד כאשר טמפרטורת הסביבה נעה בין (-30C) ל- (+50C). אל תפעיל את המוצר בסביבת טמפרטורות מחוץ לטווח זה. אל תתניע מצבר קפוא. הפסק מייד שימוש במכשיר אם המצבר מתחמם יתר על המידה. **אחסון.** אין לאחסן את המוצר במקומות מאובקים. אחסן את המוצר כך שלא יוכל לפול. אחסן במקום יבש. אחסן בטמפרטורות שבין (-20C) ל- (25C). לעולם אל תאחסן בסביבת טמפרורה הגבוהה מ-80 מעלות צלזיוס. **תאימות.** המוצר מתאים למצברים מסוג עופרת-חומצה ב-12V או 24V בלבד. אל תנסה להשתמש במוצר להתניע כל סוג אחר של מצברים. הנעת מצבר עם תרכובת כימית אחרת עלולה לגרום לפציעה, מוות או נזק לרכוש. צור קשר עם יצרן המצבר לפני ניסיון ההתנעה בכבלים. אל תתניע עם כבלים אם אינך בטוח בפרמטרי המתח וסוג תרכובת הסוללה. **סוללת המכשיר.** יש להחליף את סוללת הליתיום-יון המובנית במוצר רק על ידי היצרן NOCO, יש למחזר את הישנה ולא לזרוק יחד עם פסולת ביתית. אל תנסה להחליף את הסוללה בעצמך ואל תטפל בסוללת ליתיום יון פגומה או דולפת. לעולם אל תשליך סוללה לאשפה ביתית. השלכת סוללות באשפה ביתית אינו חוקי ואינו בריא לסביבה ולך. השלך תמיד סוללות מושמות לפח המחזור הייעודי. אם סוללת המוצר חמה מדי, פולטת ריח, התעוונה, נחתכה או מתנהגת בצורה חריגה, עצור מיד כל שימוש וצור קשר עם חברת NOCO. **טעינת המכשיר.** טען את המוצר עם המטען המוצרף פנה מיד ישיר של 12V או באמצעות מטען מוגן XGC בעל הספק 56W. **זיהוי שימוש** במטענים מאיכות ירודה, כיוון שהם חושפים אותך לסכנת התחשמלות שיכולה להוביל לפגיעה בך, במוצר או ברכוש. טעינה באמצעות כבלים או מטענים פגומים, או טעינה בסביבת לחות עלולה לגרום להתחשמלות. NOCO אינה אחראית לביטיחות המשתמש בעת שימוש באביזרים או באספקה שאינם מאושרים על ידי החברה. מטענים עלולים להתחמם במהלך שימוש רגיל וממושך איתם עלול לגרום לכוניה. אפשר אוורור נאות סביב המטען והמכשיר בעת הטעינה. כדי להבטיח חיי סוללה מקסימליים, הימנע מטעינה ממושכת של מעל שבוע. טעינה ממושכת של מעל שבוע עלולה לקצר את חיי סוללת המכשיר. לאורך זמן, סוללת המוצר שאינה בשימוש תתפרק ויש לטעון מחדש את המוצר לפני השימוש. נתק את המוצר ממקורות חשמל כאשר אינו בשימוש. השתמש במוצר רק למטרות המיועדות לו לפי הגדרת היצרן. **מכשור רפואי.** המוצר עלול לפלוט שדה אלקטרו-מגנטי. המוצר מכיל רכיבים מגנטיים העלולים להפריע לפעולת קוצבי לב, דפיברילטורים או למכשור רפואי נוסף. השדות האלקטרו-מגנטיים עלולים להפריע לפעילות תקינה של קוצבי הלב או מכשור רפואי אחר. התייעץ עם רופא המשפחה לפני שימוש במידה והנך בעל קוצב לב. אם הינך חושש שהמוצר מפריע למכשיר רפואי הפסק שימוש מייד ופנה לעזרה רפואית. **מגבלה רפואית.** אם הנך בעל מגבלה רפואית העלולה להיות מושפעת על ידי המוצר, כולל אך לא רק: ניתוחים, סחרחורות, כאבי ראש או כאבי עיניים, איבוד הכרה וכו' - התייעץ עם רופא המשפחה לפני השימוש במוצר. השימוש במכשיר בתור פנס בעל פלאשים חזקים עלול לעורר התקפים אפילפטיים, דבר שעלול לגרום לנזק רציני ונף מוות. **אור.** צפייה ישירה בפנס עלולה לגרום נזק קבוע לעיניים. המכשיר כולל פנס בעל הספק גבוה הפולט קרן אור חזקה מאוד. **ניקיון.** כבה את המכשיר לפני כל ניסיון לנקות אותו. נקה ויבש מיד אם המוצר בא במגע עם נזלים או כל סוג של מזהמים. נקה בעזרת מטטילת מיקרו-פיבר פייבר יבשה. המנע מרטיבות בניסיון ויציאות של המכשיר. **סביבה נפוצה.** ציית לכלל הוראות הבטיחות וסימני האזהרה. אל תשתמש במוצר בסביבה נפוצה, כולל תחנות דלק או אזורים בהם יש כמות גבוה של אבק, מתכות, או מזהמים אחרים באוויר. **אזורים בעלי סיכון**

NOCO 
genius® BOOST+™

GB500

מדריך למשתמש ואחריות

אזהרה



תִּירְבֵּעַ

קרא וודא הבנה לכלל המידע בנושא בטיחות לפני שימוש במוצר זה. שוק חשמלי, פיצוץ או שריפה עלולים להתרחש במידה והוראות הבטיחות לא ייושמו כנדרש, ועלולים לגרום לפציעות קשות, מוות או נזק לרכוש.

שוק חשמלי. המוצר הינו מכשיר חשמלי שיכול לחשמל ולגרום לנזק כבד למשתמש ולסביבתו. אל תחתוך כבלי חשמל. הרחק ממים ודאג שהמכשיר לא ירטב.

פיצוץ. סוללות לא מבוקרות, לא מתאימות או פגומות עלולות להתפוצץ בשימוש עם מכשיר זה. אל תשאיר את המכשיר לבד בעת השימוש. אל תנסה להתניע מצבר קפוא או פגום. השתמש במכשיר להתניע ולהטעין רק במתח המומלץ לשימוש. השתמש במקום מאוורר בלבד.

שריפה. המוצר הינו מכשיר חשמלי הפולט חום ומסוגל לגרום לכוויות. אל תכסה את המוצר בעת השימוש. אל תעשן ואל תקרב ניצוצות חשמליים למוצר בעת השימוש. הרחק את המוצר ממקורות נפיצים ובעירים כגון דלקים וכי.

פגיעה בעיניים. השתמש במשקפי מגן בזמן הפעלת המוצר. סוללות יכולות להתפוצץ ולהעיק רסיסים. חומצה הנמצאת בסוללות יכולה לגרום לגירוי בעיניים ובעור. במקרה של מגע עם העיניים או העור, שטוף את האזור הפגוע עם מים זורמים נקיים ופנה ליעוץ רפואי בנושא מיד.

גזים נפיצים. עבודה באזור עם חומרי עופרת-חומצה הינה מסוכנת. סוללות מייצרות גזים נפיצים בזמן עבודה רגילה. על מנת להפחית סיכון של פיצוץ מצבר, פעל בהתאם לכלל הוראות הבטיחות של המכשיר ושל המצבר אותו הינך מנסה להתניע, או של יצרן כל רכיב שהו אותו בכוננתך להטעין. סקור את כלל סימני האזהרה של מוצר זה ושל מקור הטעינה.

למידע נוסף ותמיכה
בקר באתרנו:

www.no.co/support



For more information and support visit:

www.no.co/support

NOCO[®]

GB500.05312017A

GB500 266Wh Lithium Jump Starter

XGC4 56W Power Adapter



RoHS



LISTED
20HK
E178074

